



US00D427950S

United States Patent [19]

Miller et al.

[11] Patent Number: **Des. 427,950**

[45] Date of Patent: **** Jul. 11, 2000**

[54] **TIRE TREAD**

[75] Inventors: **Craig David Miller**, Norton; **Billy Joe Ratliff, Jr.**, Akron; **Samuel Patrick Landers**, Uniontown, all of Ohio

[73] Assignee: **The Goodyear Tire & Rubber Company**, Akron, Ohio

[**] Term: **14 Years**

[21] Appl. No.: **29/111,868**

[22] Filed: **Oct. 5, 1999**

[51] **LOC (7) Cl.** **12-15**

[52] **U.S. Cl.** **D12/143**

[58] **Field of Search** **D12/134-152;**
152/209.1, 209.8, 209.12, 209.16, 209.28,
902, 903

- D. 384,620 10/1997 Gillard et al. .
- D. 386,132 11/1997 Villamizar et al. .
- D. 387,716 12/1997 Miller et al. .
- D. 388,375 12/1997 Harpes et al. .
- D. 391,204 2/1998 Harpes et al. .
- D. 395,626 6/1998 Gillard et al. .
- D. 402,943 12/1998 Albert et al. .
- D. 403,994 1/1999 Williams .
- 5,361,814 11/1994 Covert et al. .
- 5,603,785 2/1997 Weber et al. 152/209.28
- 5,628,843 5/1997 Hanya .
- 5,865,921 2/1999 Zakelj et al. .

OTHER PUBLICATIONS

- Cooper Monogram 200 Tire, 1998 Tread Design Guide, p. 20. 2/1.
- Sigma Grand Spirit Aqua Flow GTX Tire, 1998 Tread Design Guide, p. 66. 3/4.
- Vanderbilt Pacemark Premium Aqua Tire, 1998 Tread Design Guide, p. 74. 4/5.
- Cordovan Wild Spirit MPT Tire, 1998 Tread Design Guide, p. 86. 4/1.

Primary Examiner—Robert M. Spear
Attorney, Agent, or Firm—T P Lewandowski

[56] References Cited

U.S. PATENT DOCUMENTS

- D. 283,501 4/1986 Hitzky .
- D. 304,917 12/1989 Hinrichsen .
- D. 308,842 6/1990 Hitzky et al. .
- D. 308,843 6/1990 Hitzky et al. .
- D. 311,887 11/1990 Adam .
- D. 314,363 2/1991 Adam .
- D. 315,127 3/1991 White et al. .
- D. 328,267 7/1992 Constant .
- D. 328,268 7/1992 Constant .
- D. 328,269 7/1992 Graas et al. .
- D. 344,052 2/1994 Attinello et al. .
- D. 348,088 6/1994 Graas D12/151
- D. 362,214 9/1995 McKisson .
- D. 365,055 12/1995 McKisson .
- D. 365,056 12/1995 McKisson .
- D. 365,058 12/1995 McKisson .
- D. 365,068 12/1995 Kotanides, Jr. et al. .
- D. 368,451 4/1996 Wallet et al. .
- D. 375,064 10/1996 McKisson .
- D. 377,635 1/1997 Numata .
- D. 381,606 7/1997 Graas et al. .
- D. 381,607 7/1997 Attinello et al. .
- D. 383,101 9/1997 Aikawa et al. .

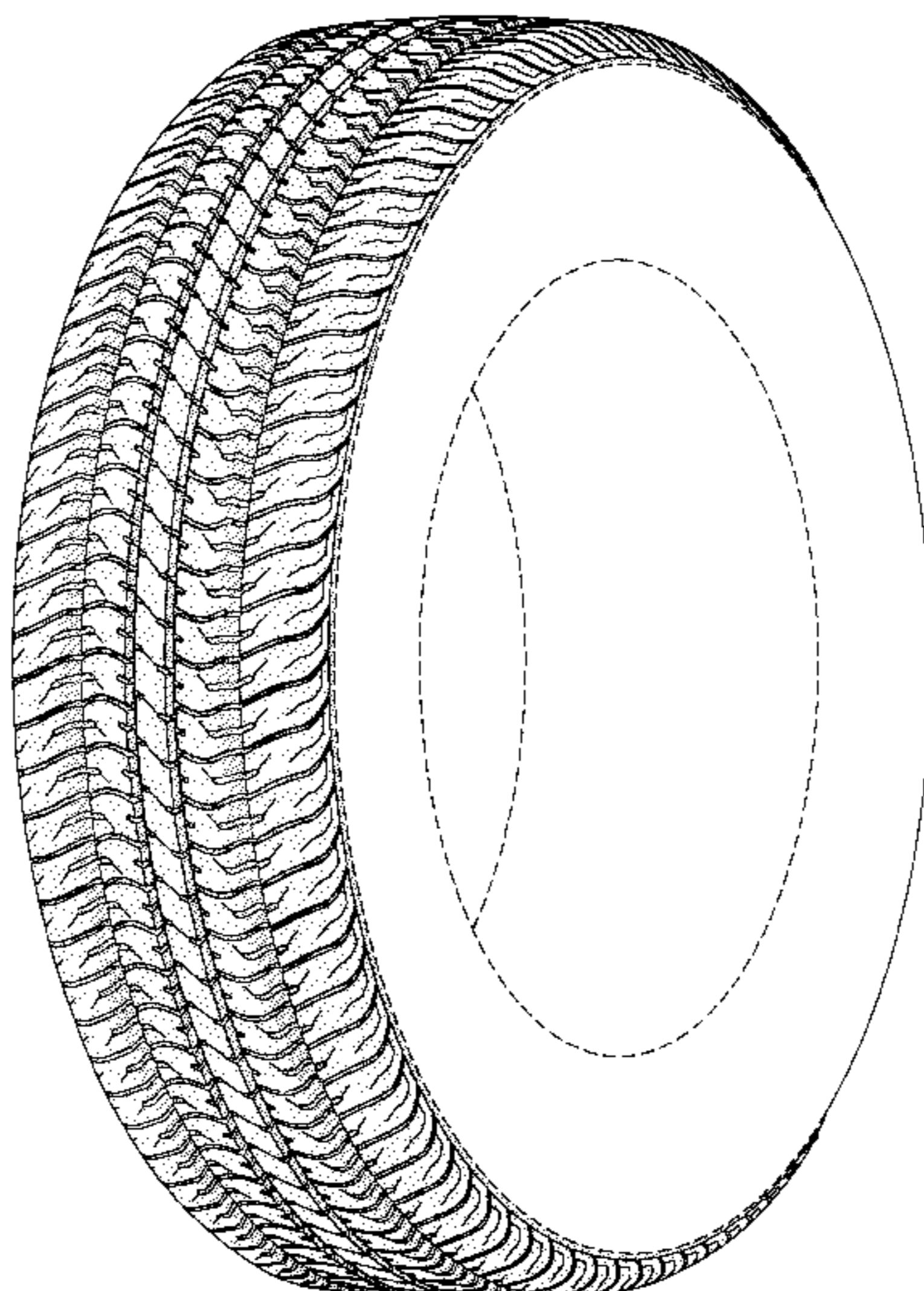
[57] CLAIM

The ornamental design for a tire tread, as shown and described.

DESCRIPTION

FIG. 1 is a perspective view of a tire tread showing our new design, it being understood that the pattern repeats uniformly throughout the circumference of the tread;
 FIG. 2 is a front elevational view thereof;
 FIG. 3 is a side elevational view thereof, the opposite side elevational view being identical thereto; and,
 FIG. 4 is an enlarged fragmentary perspective view.
 In the drawings, the broken lines defining the inner bead of the sidewall and the peripheral boundary between the tire tread and the sidewall are for illustrative purposes only and form no part of the claimed design.

1 Claim, 4 Drawing Sheets



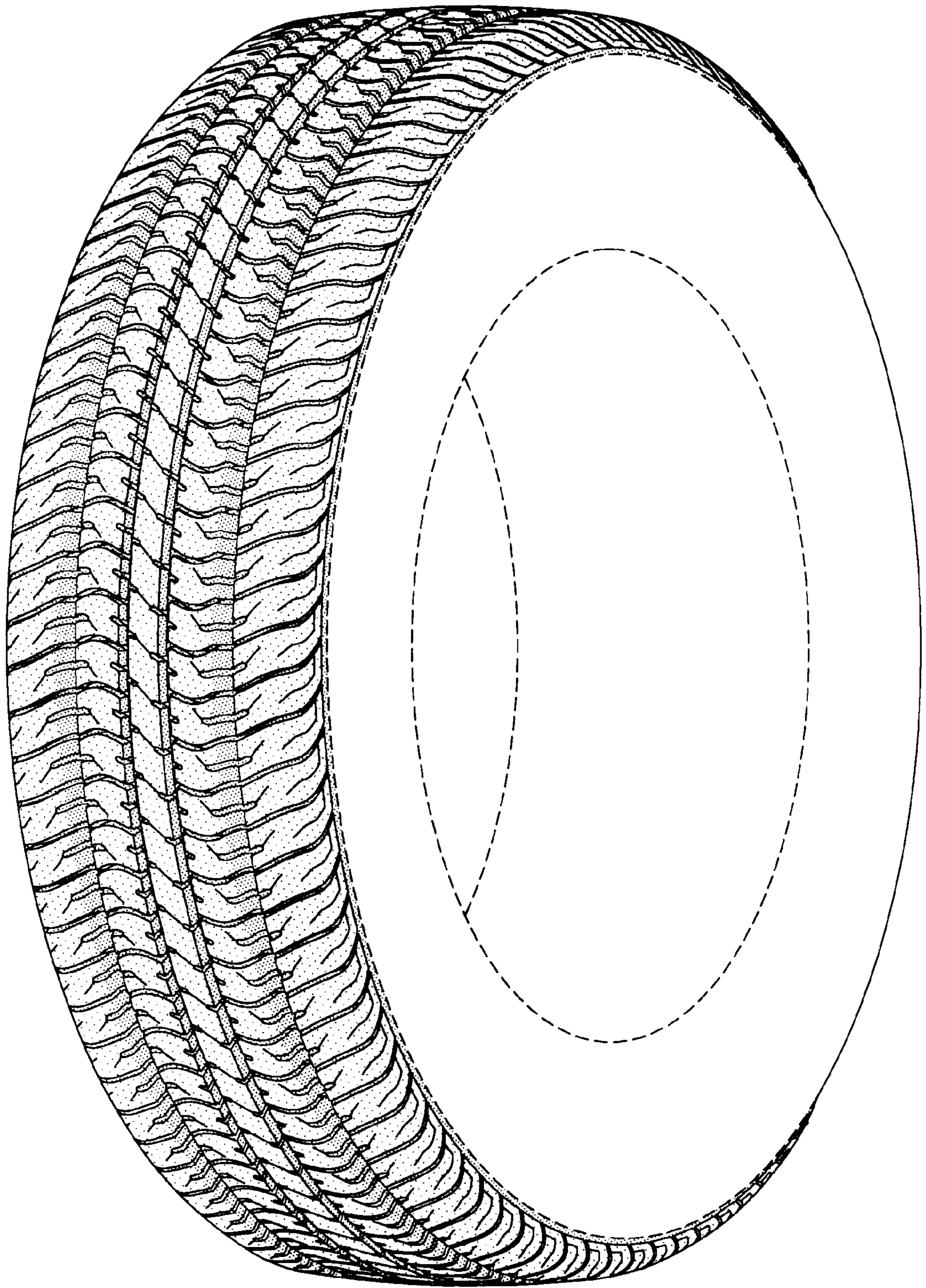


FIG-1

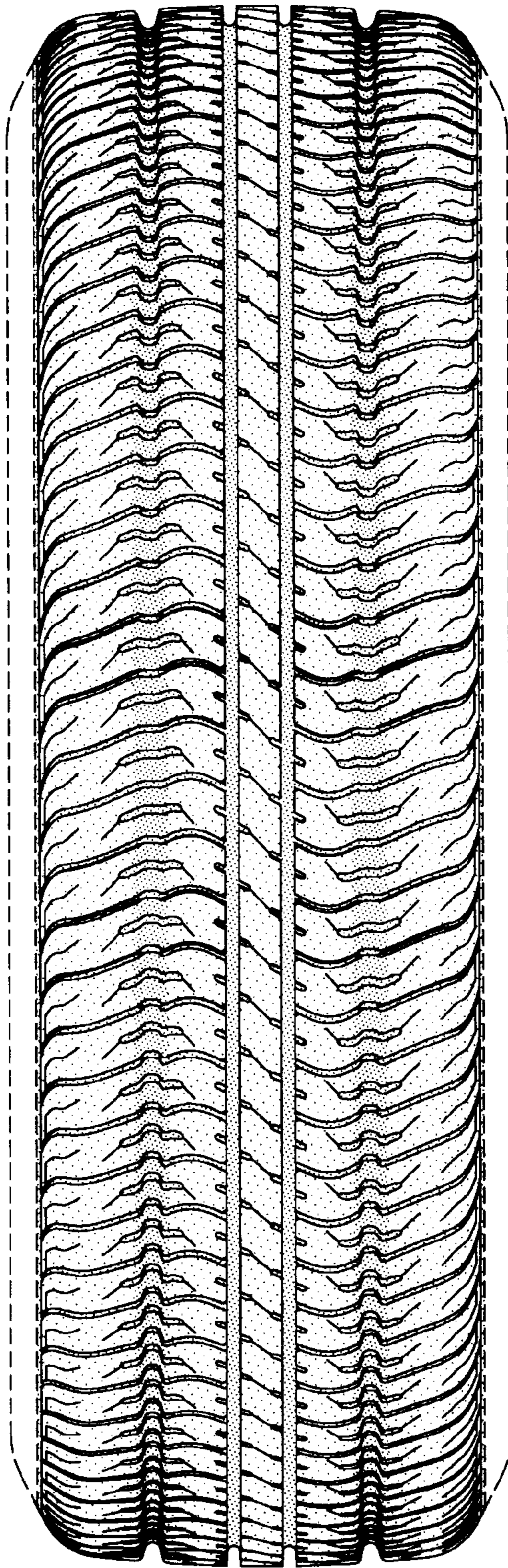


FIG-2

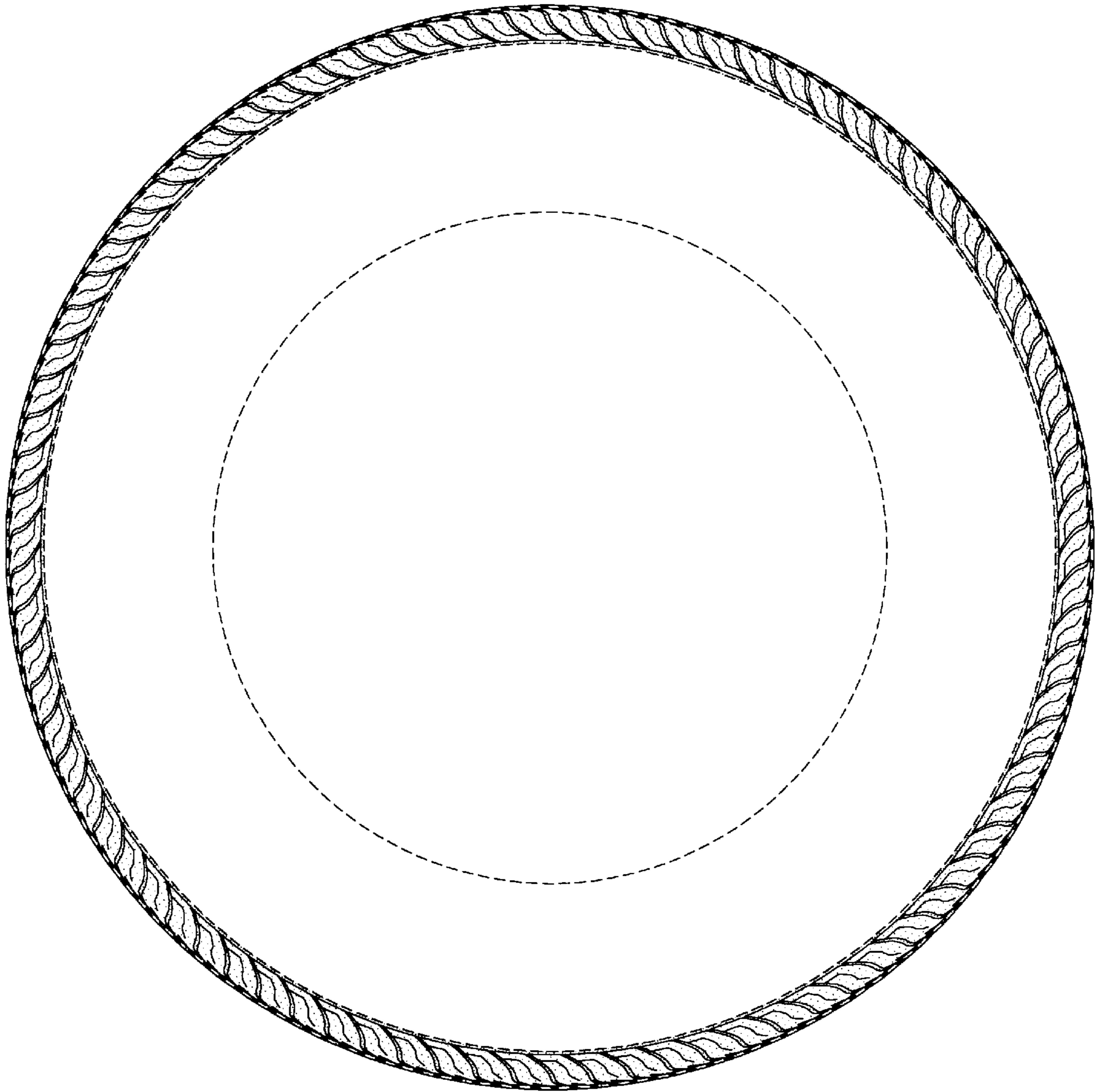


FIG-3

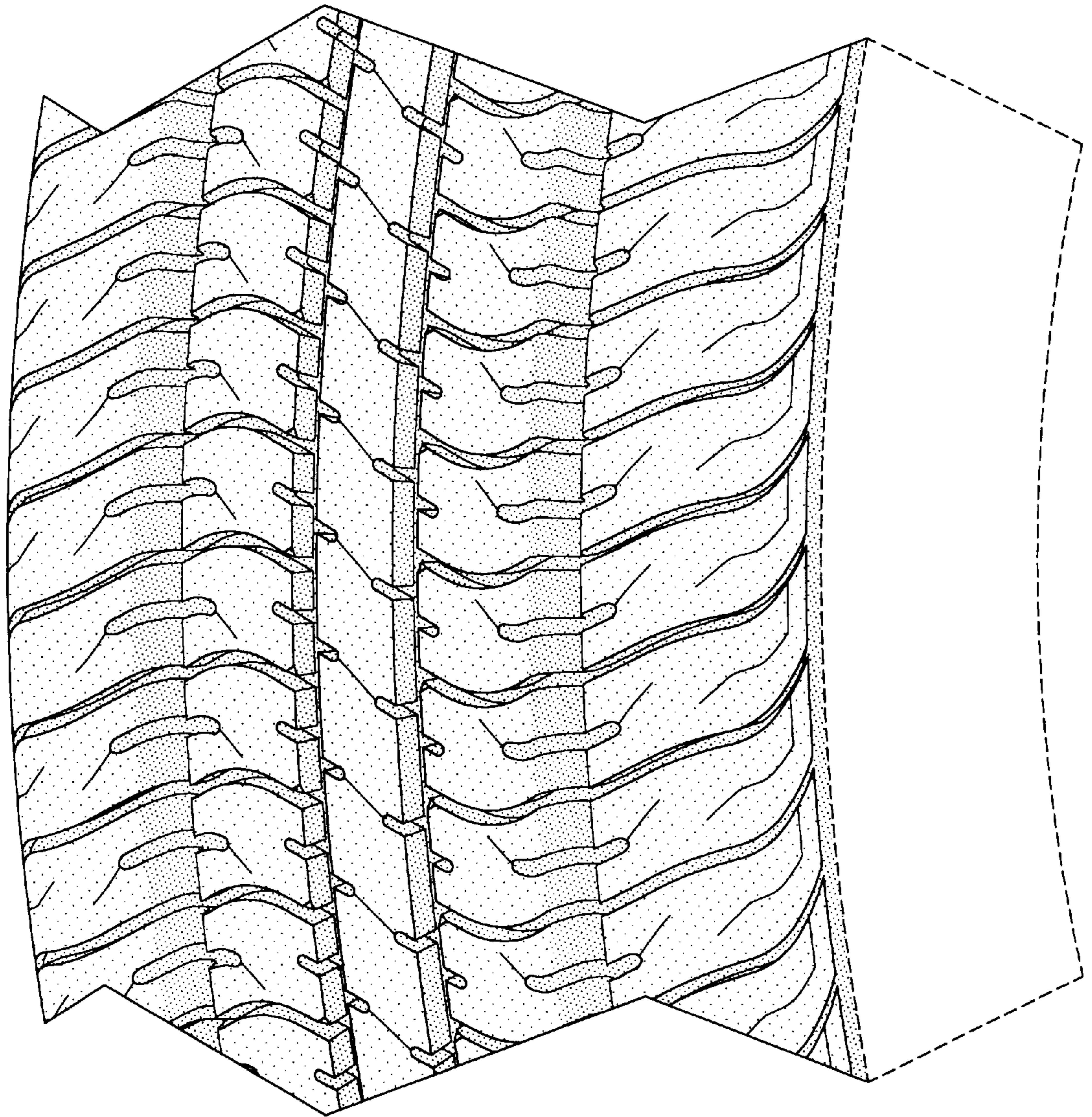


FIG-4