



US00D427949S

United States Patent [19] Schlangen

[11] Patent Number: **Des. 427,949**

[45] Date of Patent: **** Jul. 11, 2000**

[54] **WHEELCHAIR WITH VERTICALLY
ADJUSTABLE SEAT**

[76] Inventor: **Phillip E. Schlangen**, 1920 S. First St.,
No. 1601, Minneapolis, Minn. 55454

[**] Term: **14 Years**

[21] Appl. No.: **29/108,753**

[22] Filed: **Aug. 4, 1999**

[51] **LOC (7) Cl.** **12-12**

[52] **U.S. Cl.** **D12/131; D12/128**

[58] **Field of Search** D12/128, 131,
D12/133; 280/250.1, 304.1, 43.23, 249;
297/DIG. 4; 5/620

[56] **References Cited**

U.S. PATENT DOCUMENTS

D. 352,684	11/1994	Smith et al.	D12/131
2,233,262	2/1941	Jacobson .	
2,592,025	4/1952	Gray .	
2,678,087	5/1954	McKinley .	
2,729,272	1/1956	Lidge et al. .	
2,982,336	5/1961	Minici .	
5,040,638	8/1991	Smith .	
5,375,910	12/1994	Murphy .	
5,613,697	3/1997	Johnson .	
5,695,248	12/1997	Bell .	

Primary Examiner—Kay H. Chin

Attorney, Agent, or Firm—Burd, Bartz & Gutenkauf

[57] **CLAIM**

The ornamental design for a wheelchair with vertically adjustable seat, as shown and described.

DESCRIPTION

FIG. 1 is a perspective view of the wheelchair with vertically adjustable seat of my new design showing the seat in the down position;

FIG. 2 is a top plan view thereof;

FIG. 3 is a front elevational view thereof;

FIG. 4 is a rear elevational view thereof;

FIG. 5 is a side elevational view of the right side thereof;

FIG. 6 is a side elevational view of the left side thereof;

FIG. 7 is a bottom plan view thereof;

FIG. 8 is a perspective view of the wheelchair with vertically adjustable seat of FIG. 1, showing the seat in the up position;

FIG. 9 is a top plan view of the wheelchair of FIG. 8;

FIG. 10 is a front elevational view of the wheelchair of FIG. 8;

FIG. 11 is a rear elevational view of the wheelchair of FIG. 8;

FIG. 12 is a side elevational view of the right side of the wheelchair of FIG. 8;

FIG. 13 is a side elevational view of the left side of the wheelchair of FIG. 8; and,

FIG. 14 is a bottom plan view of the wheelchair of FIG. 8.

1 Claim, 14 Drawing Sheets



FIG. 1

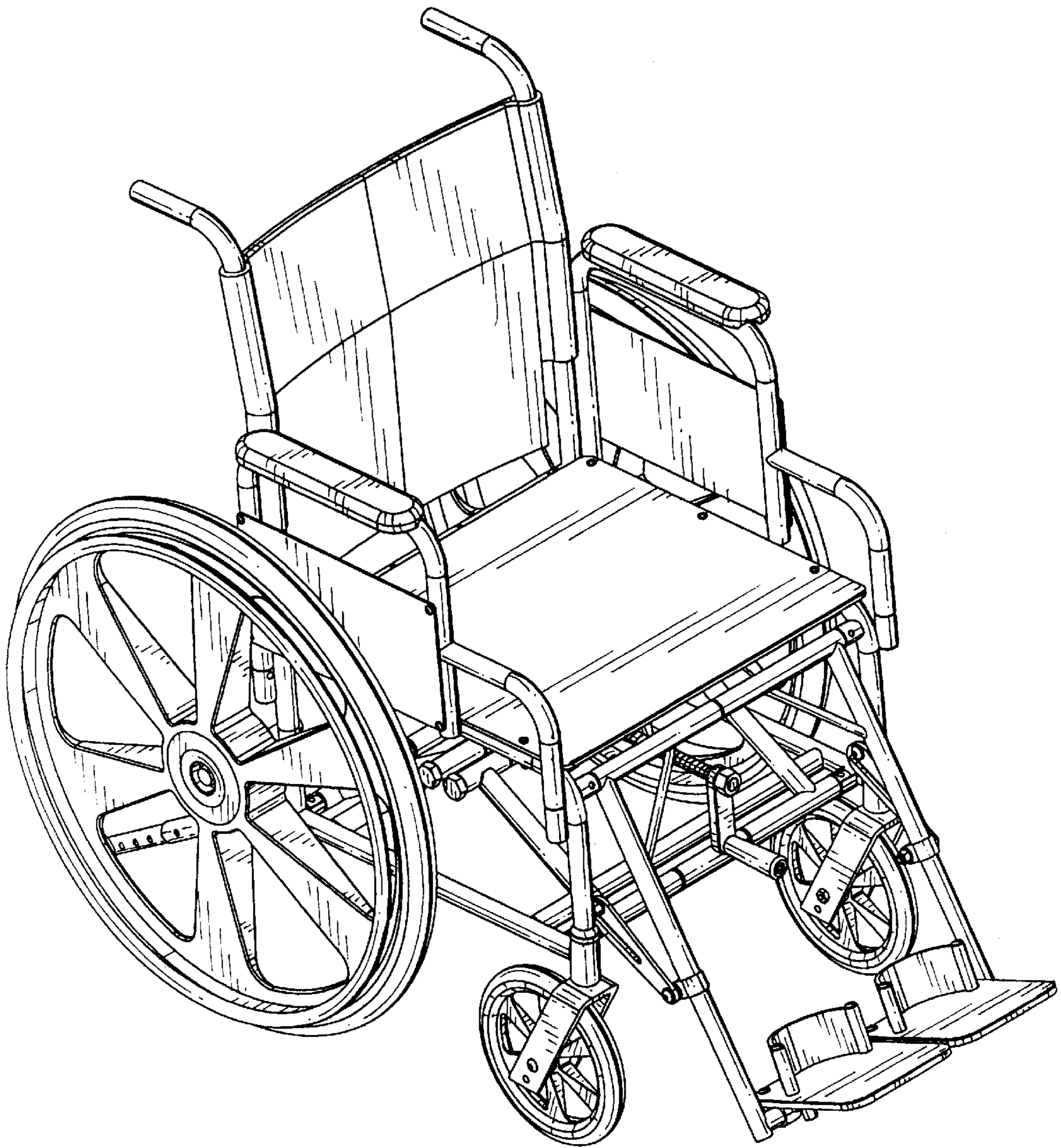


FIG. 2

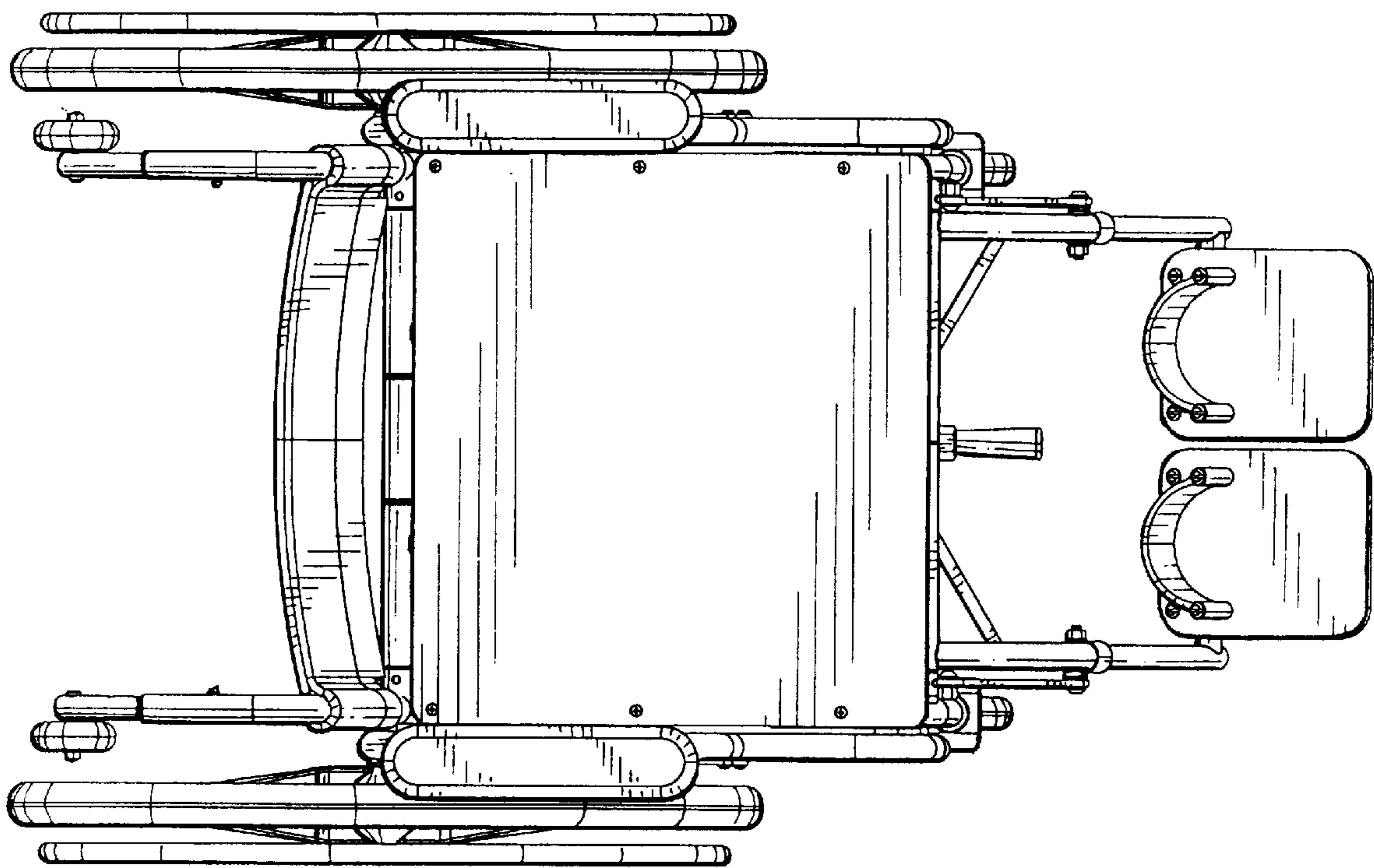


FIG. 3

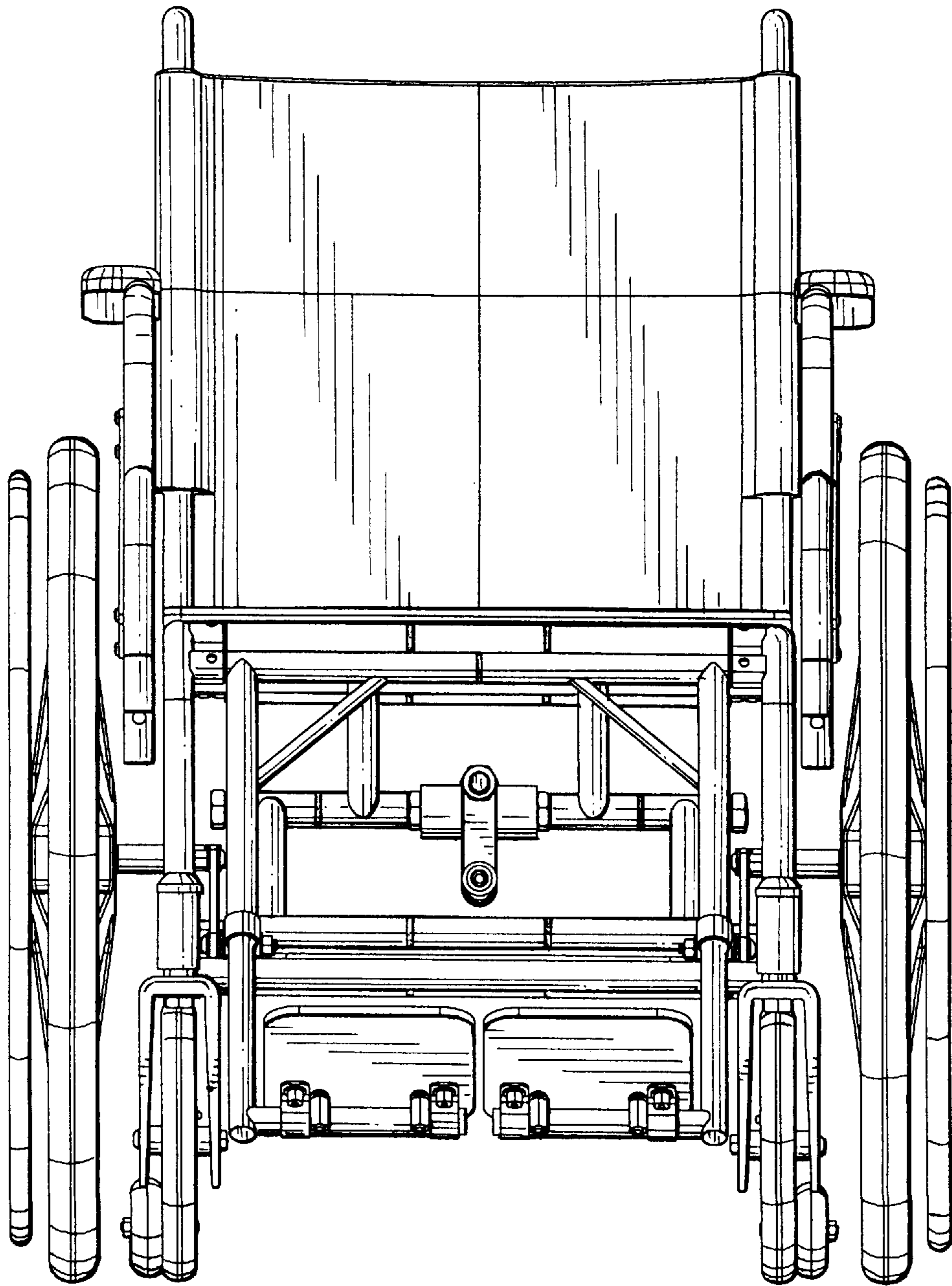


FIG. 4

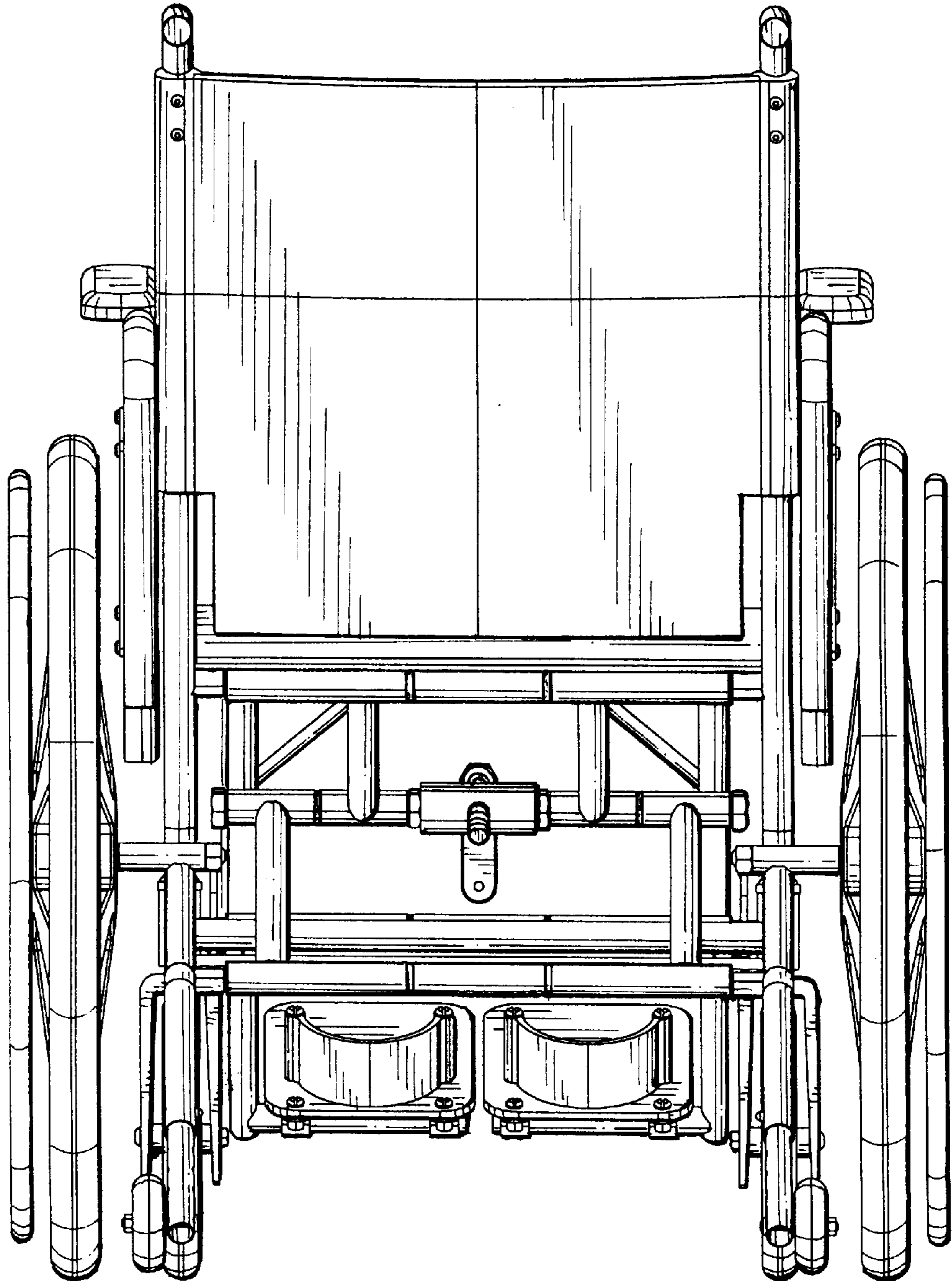


FIG. 5

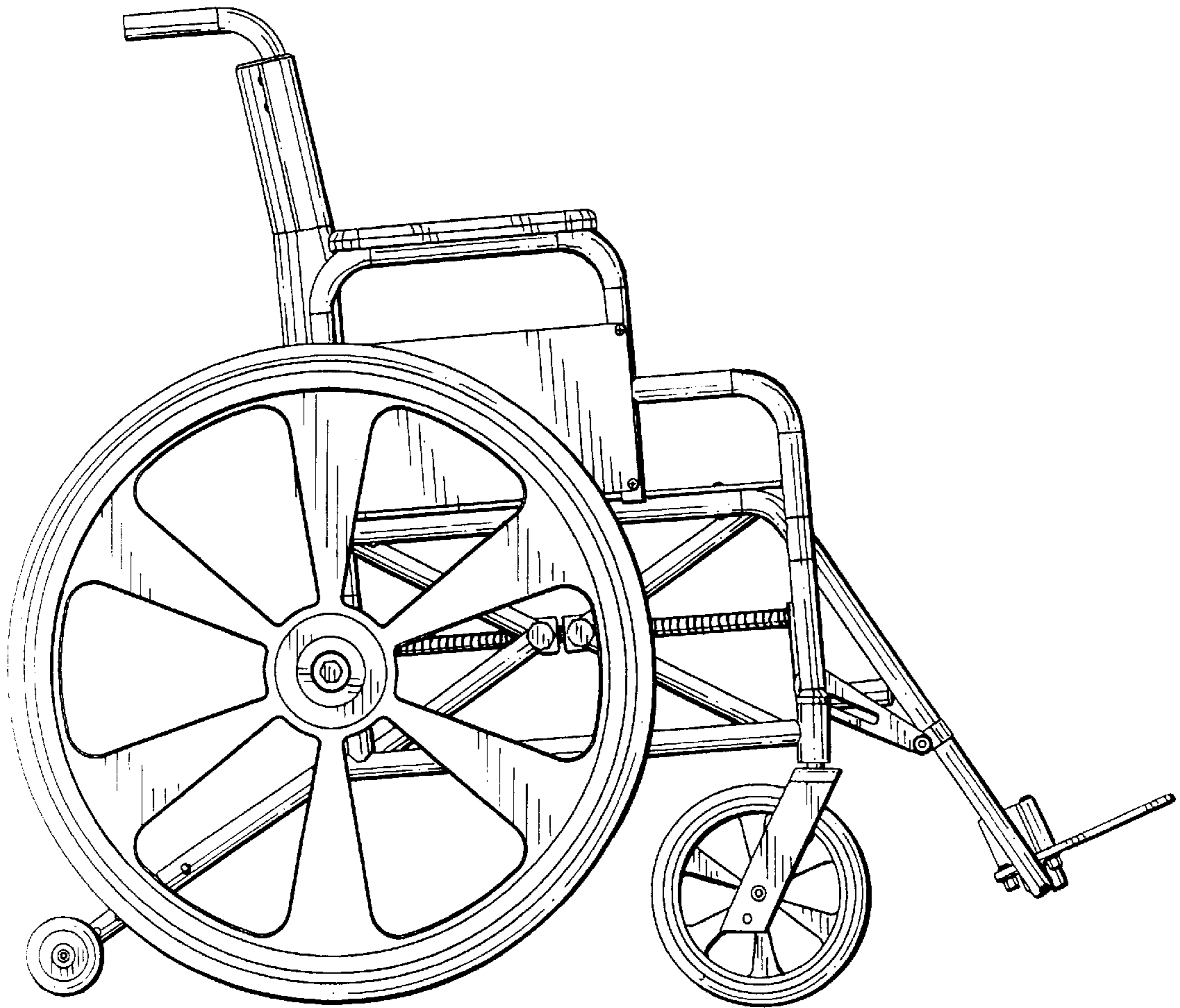


FIG. 6

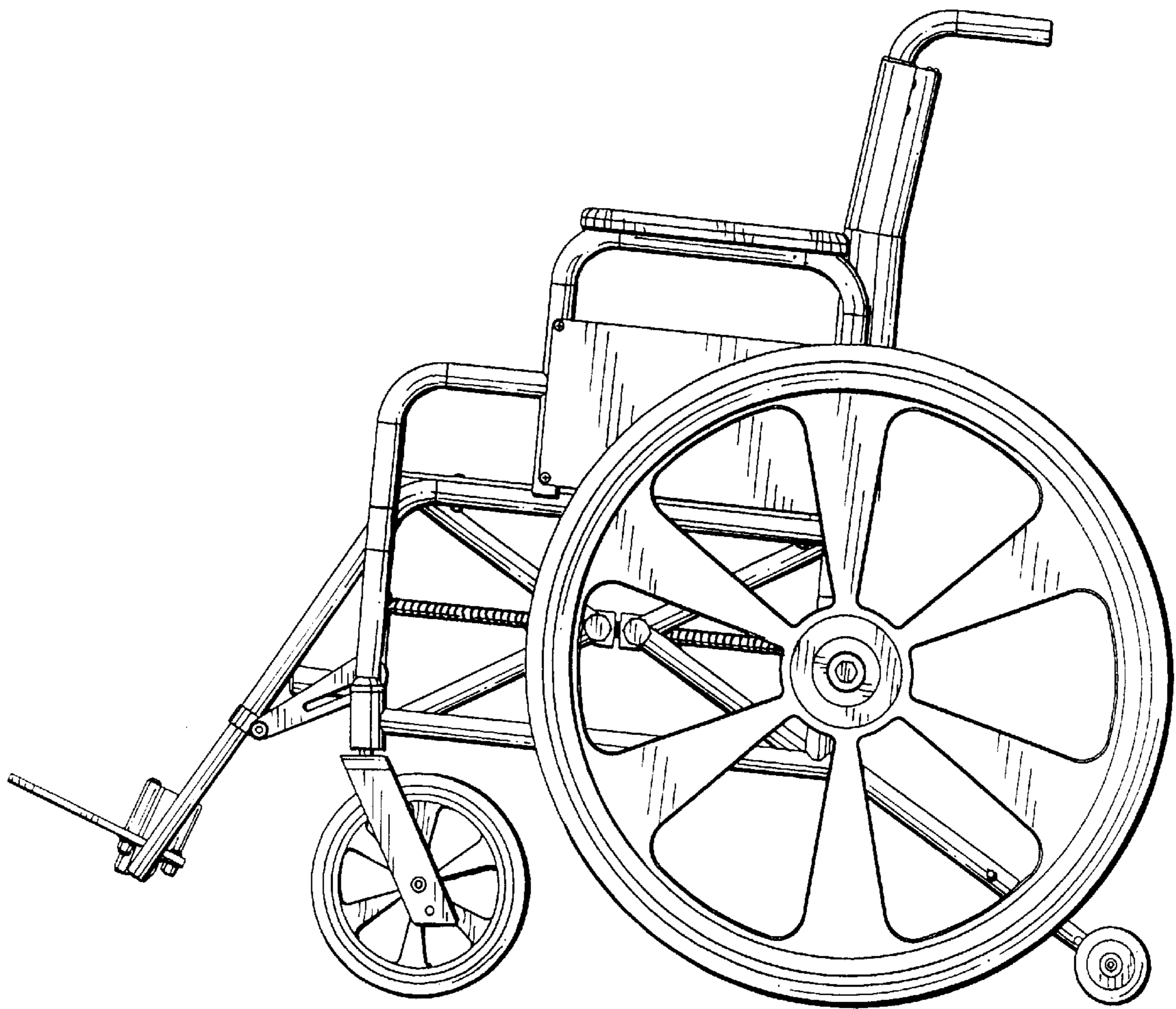


FIG. 7

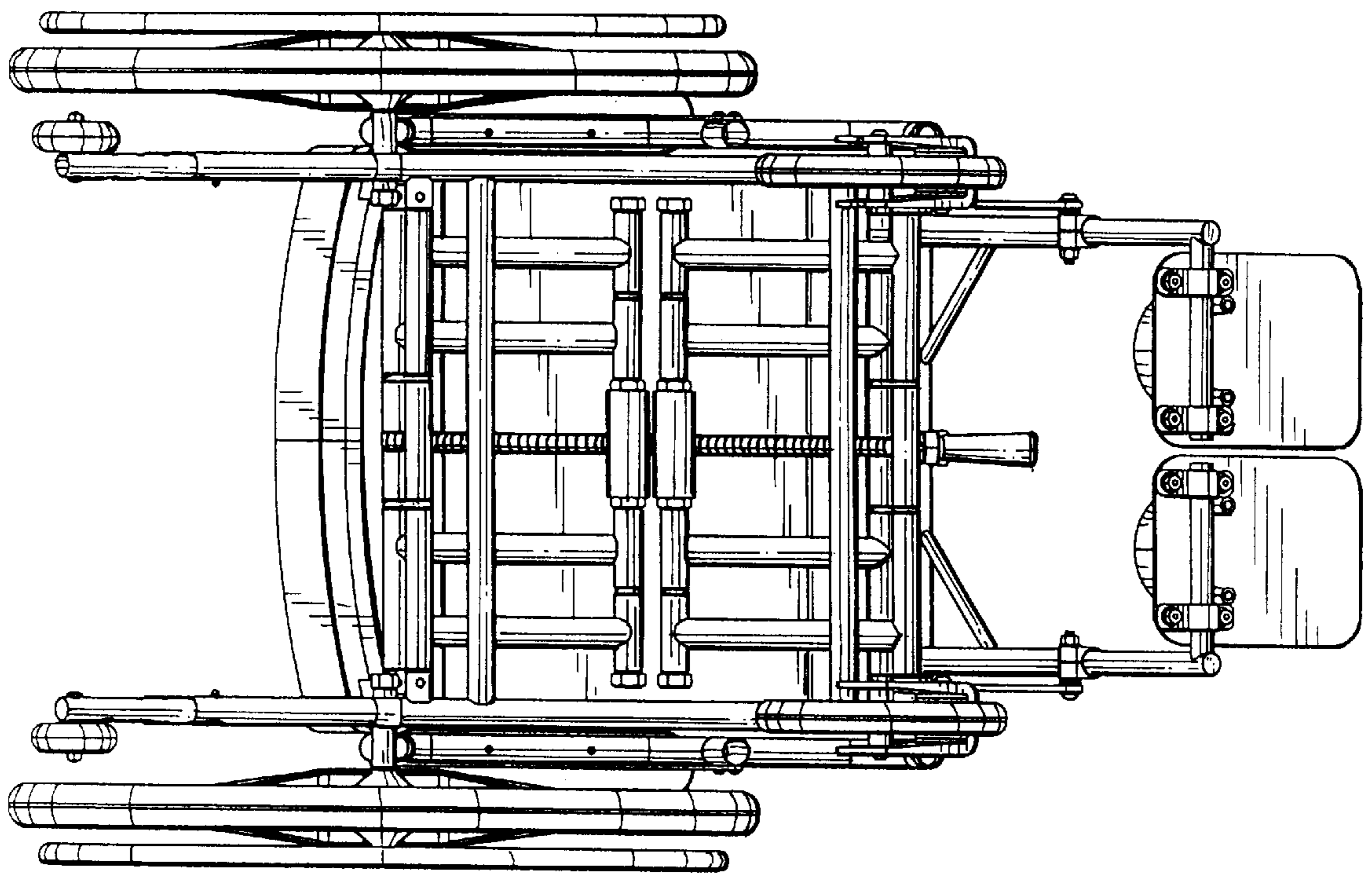


FIG. 8

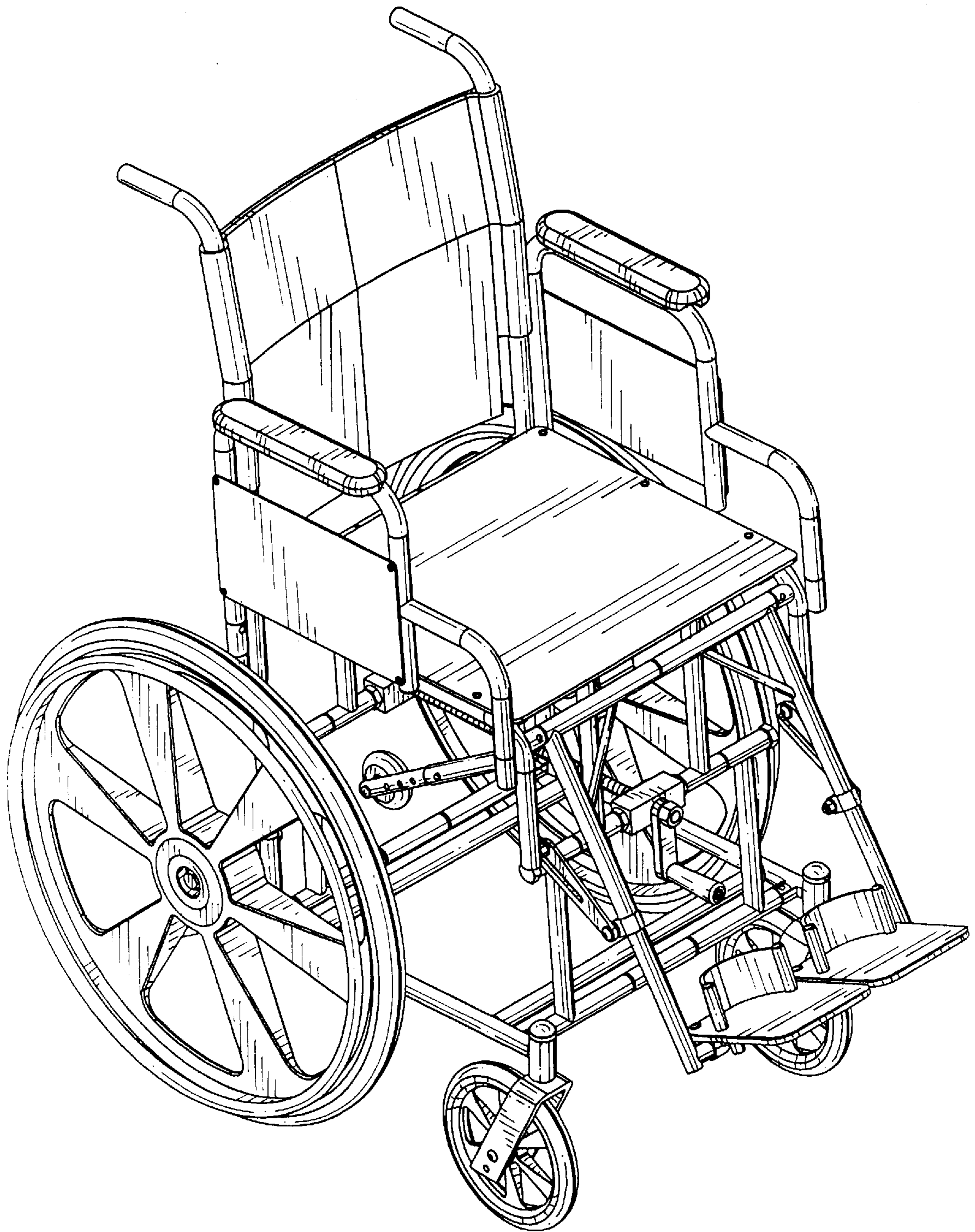


FIG. 9

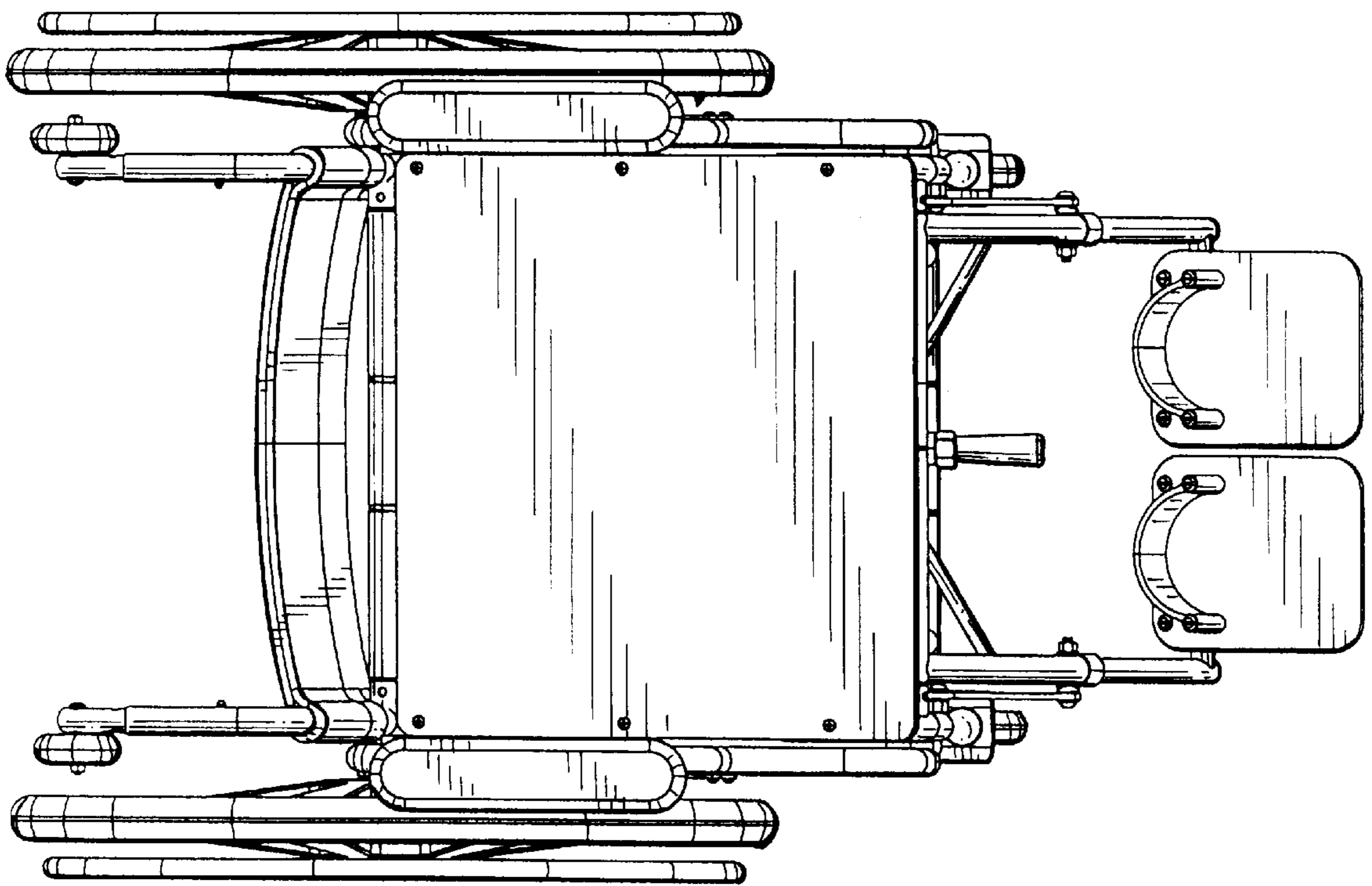


FIG. 10

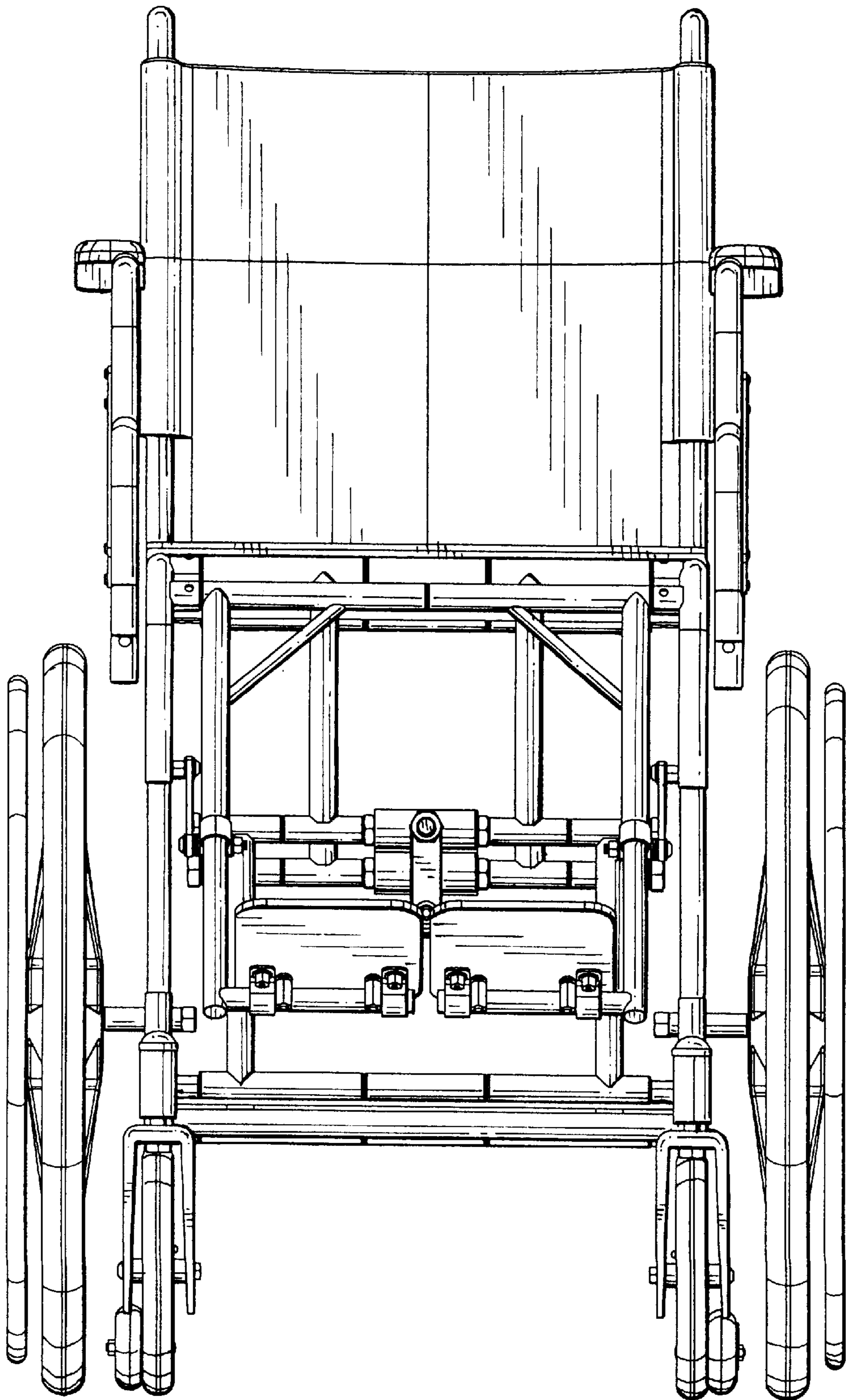


FIG. 11

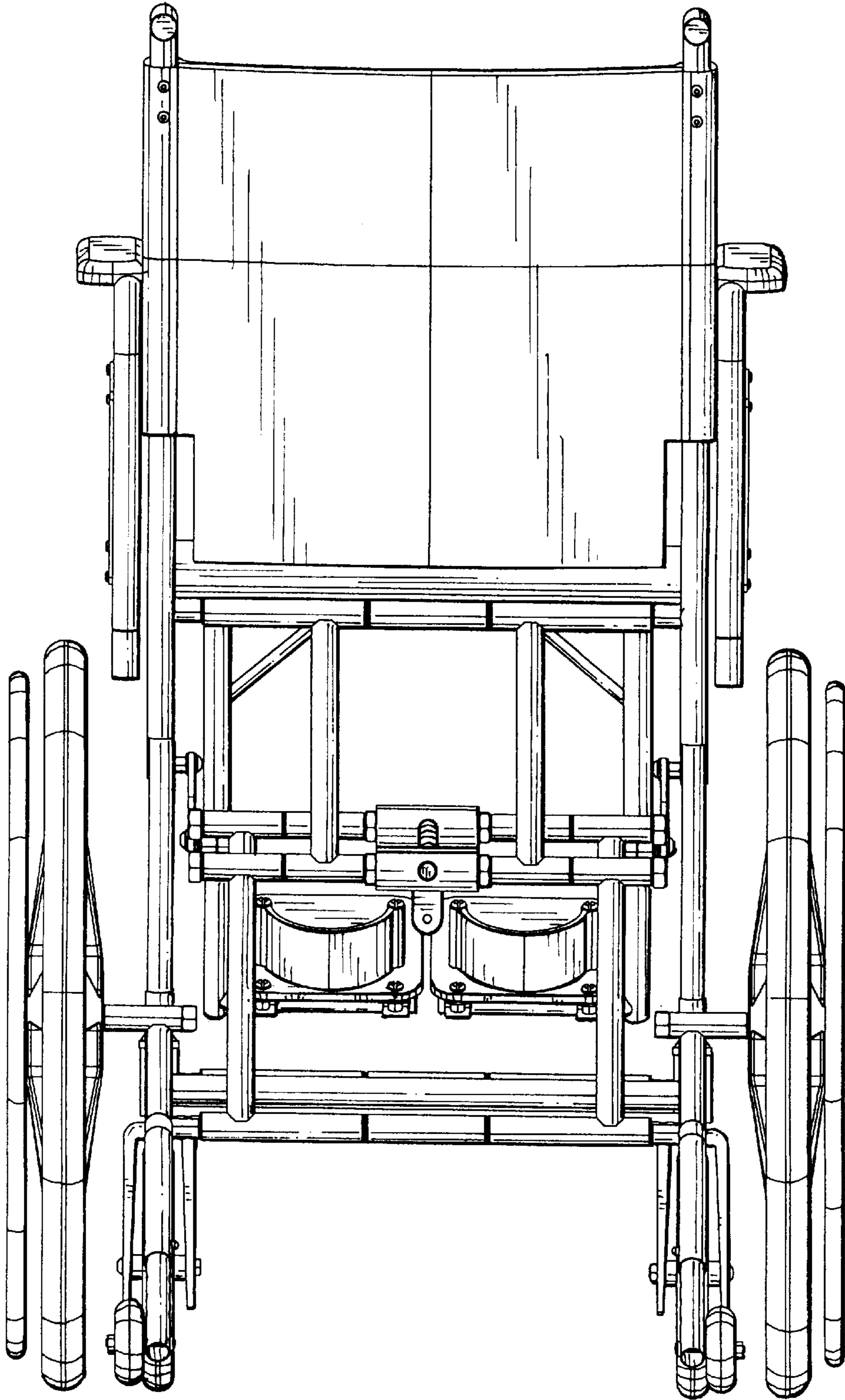


FIG. 12

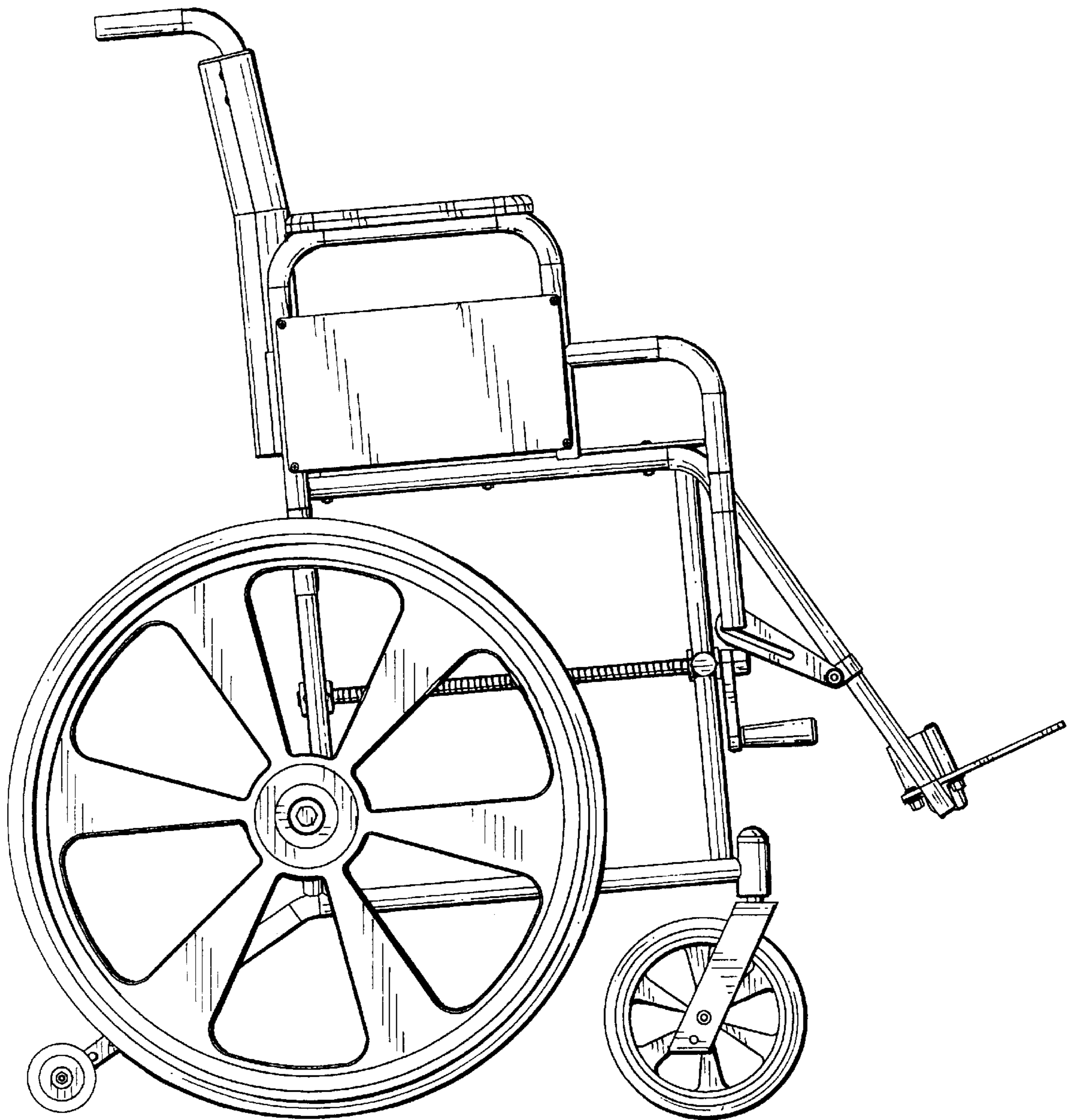


FIG. 13

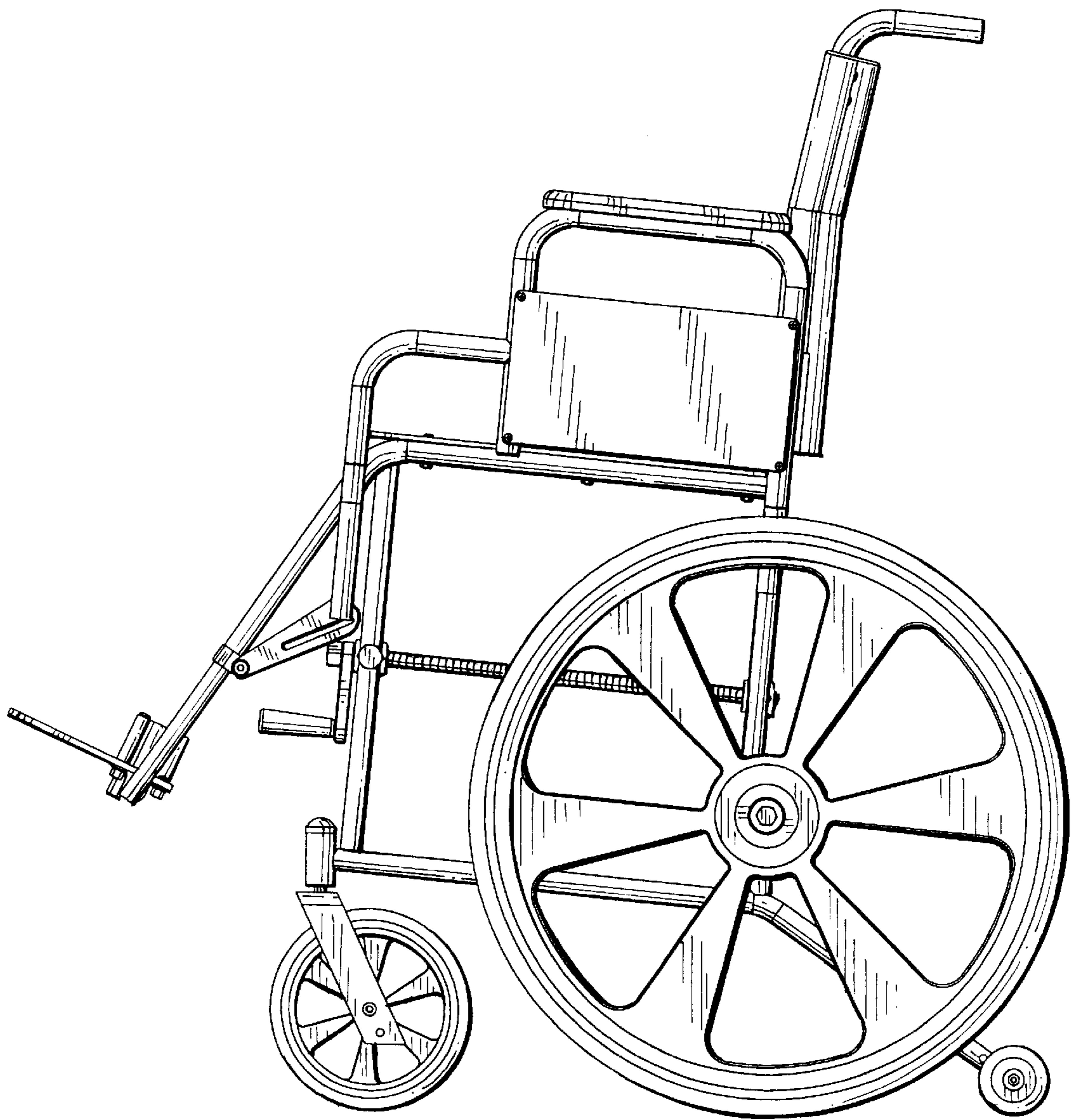


FIG. 14

