



US00D427946S

United States Patent [19]
Kuo-An

[11] **Patent Number: Des. 427,946**
[45] **Date of Patent: ** Jul. 11, 2000**

[54] **BICYCLE SHOCK ABSORBER
COMBINATION RADIATOR FIN DESIGN**

D. 267,005 11/1982 Dennis D13/179
4,103,192 7/1978 Wendt et al. 165/80.3
4,715,438 12/1987 Gabuzda et al. 165/185
5,794,685 8/1998 Dean 361/697 X

[75] Inventor: **Pai Kuo-An**, Tai Ping, Taiwan

[73] Assignee: **Acecast Industry Co., Ltd.**, Taichung
Hsien, Taiwan

[**] Term: **14 Years**

Primary Examiner—Alan P. Douglas
Assistant Examiner—Linda Brooks
Attorney, Agent, or Firm—Harrison & Egbert

[21] Appl. No.: **29/108,334**

[22] Filed: **Jul. 26, 1999**

[57] **CLAIM**

The ornamental design for a bicycle shock absorber combination radiator fin design, as shown and described.

[51] **LOC (7) Cl.** **12-11**

[52] **U.S. Cl.** **D12/114; D12/159; D13/179**

[58] **Field of Search** D12/114, 159,
D12/163, 166, 111; D13/179; 165/80.3,
185, 152; 361/697; 180/219, 229; 280/288.4;
72/186

DESCRIPTION

FIG. 1 is an upper perspective view of a bicycle shock absorber combination radiator fin design showing my design.

FIG. 2 is a front view thereof;

FIG. 3 is a top view thereof;

FIG. 4 is a side view thereof;

FIG. 5 is a bottom view thereof;

FIG. 6 is a back view thereof;and,

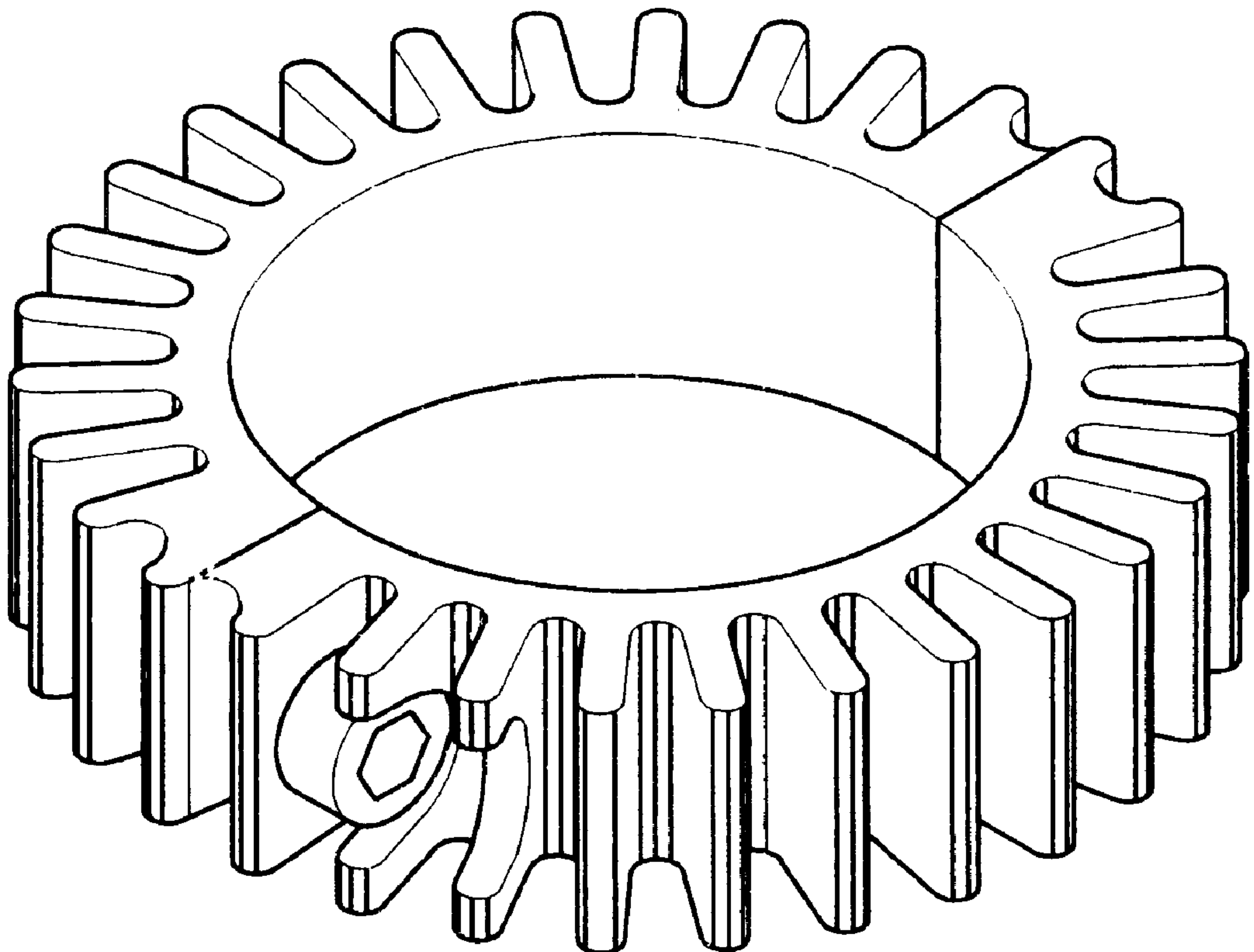
FIG. 7 is an opposite side view thereof.

[56] **References Cited**

U.S. PATENT DOCUMENTS

D. 203,543 1/1966 Coe D13/179

1 Claim, 4 Drawing Sheets



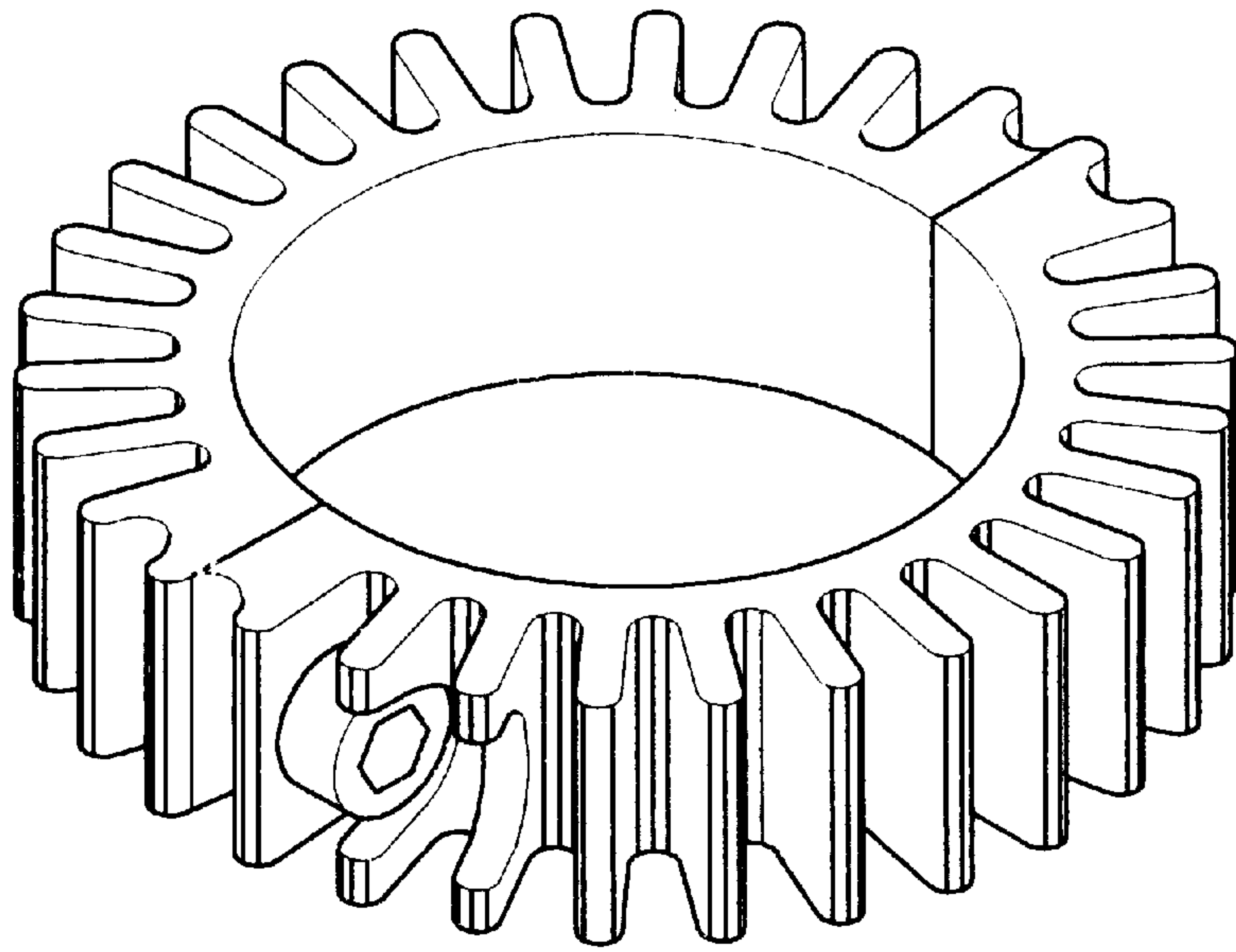


FIG. 1

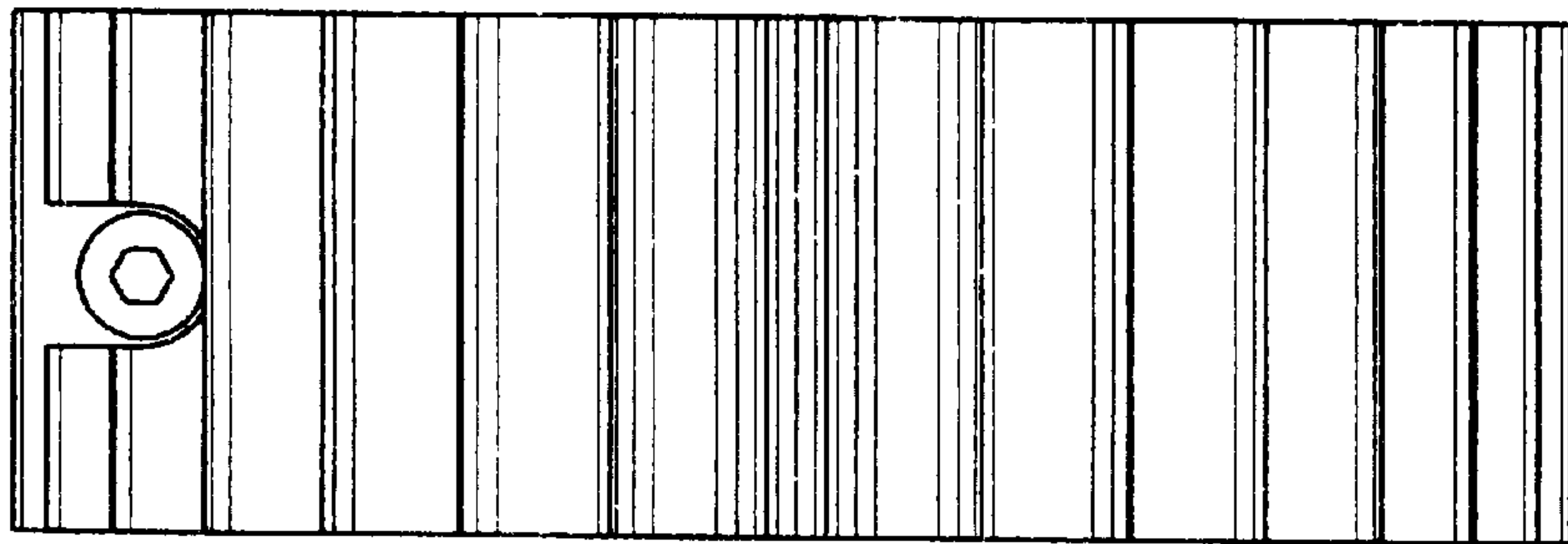


FIG. 2

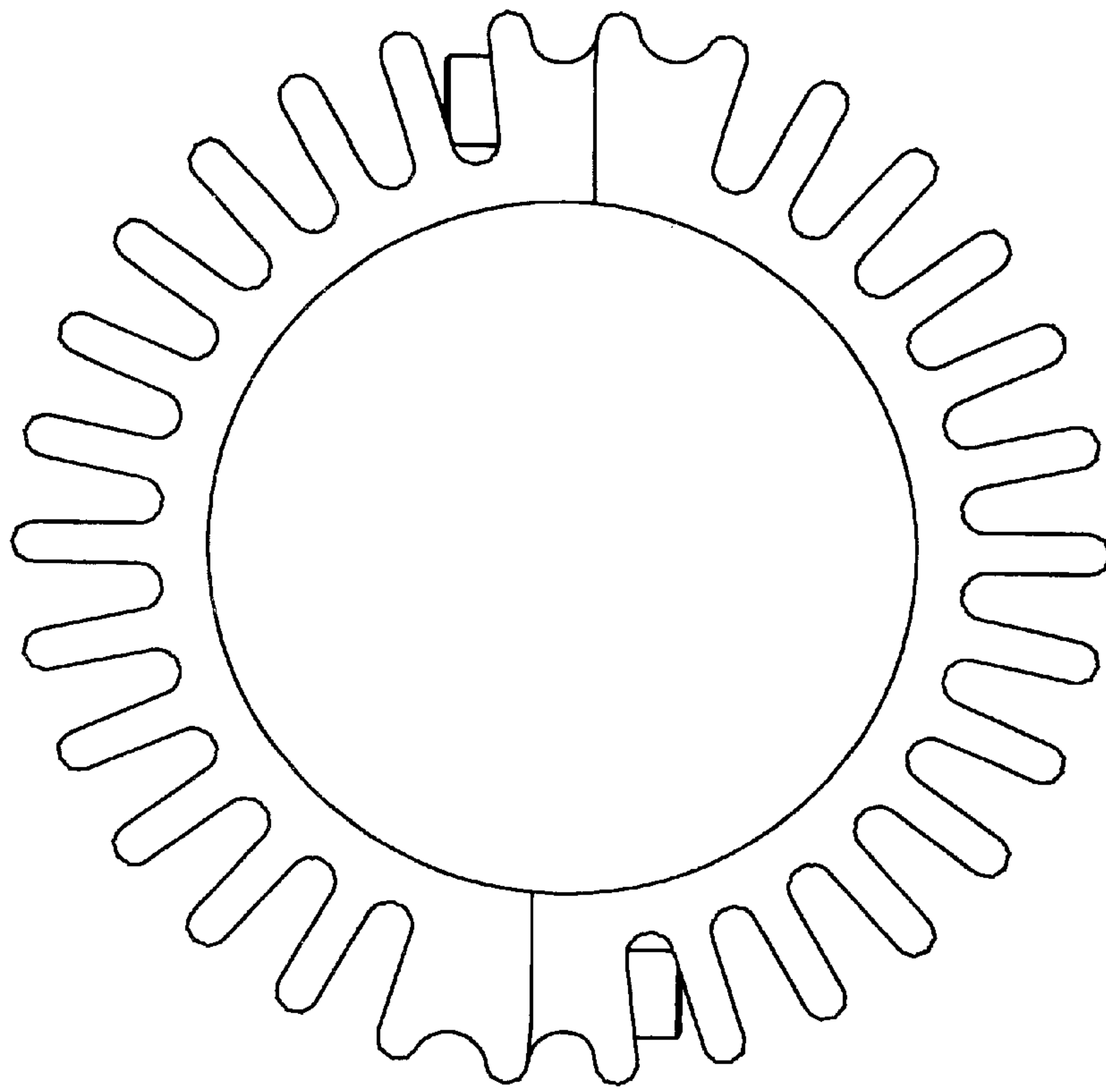


FIG. 3

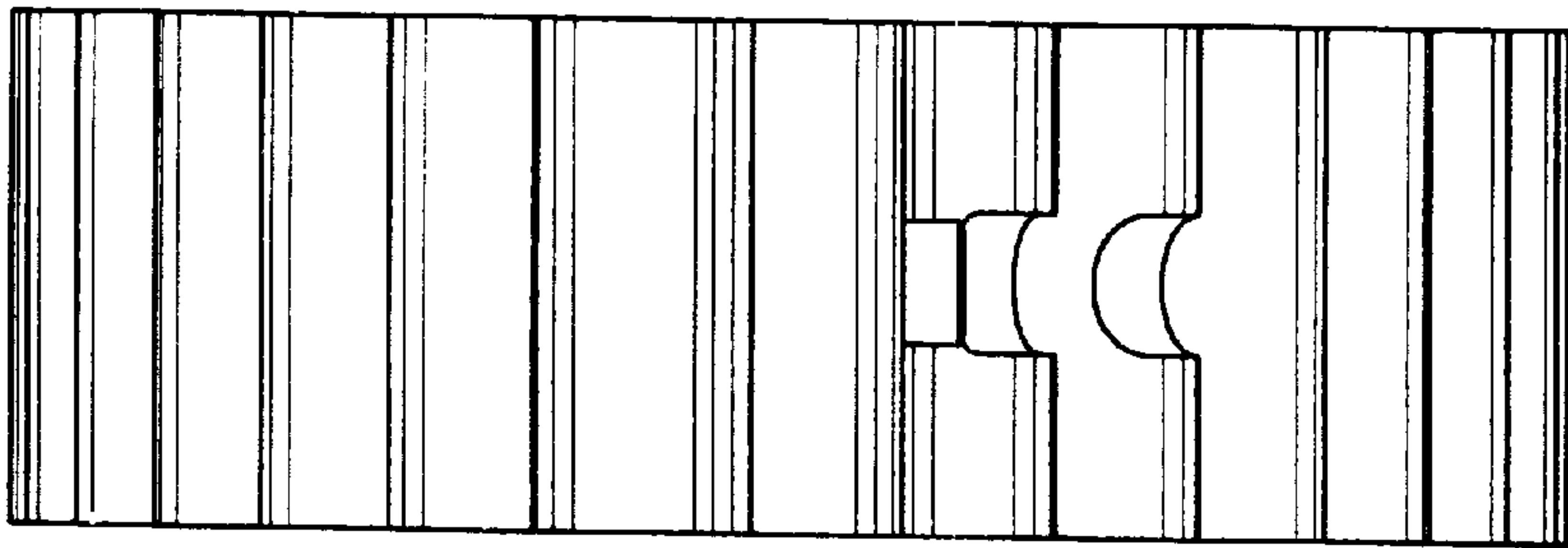


FIG. 4

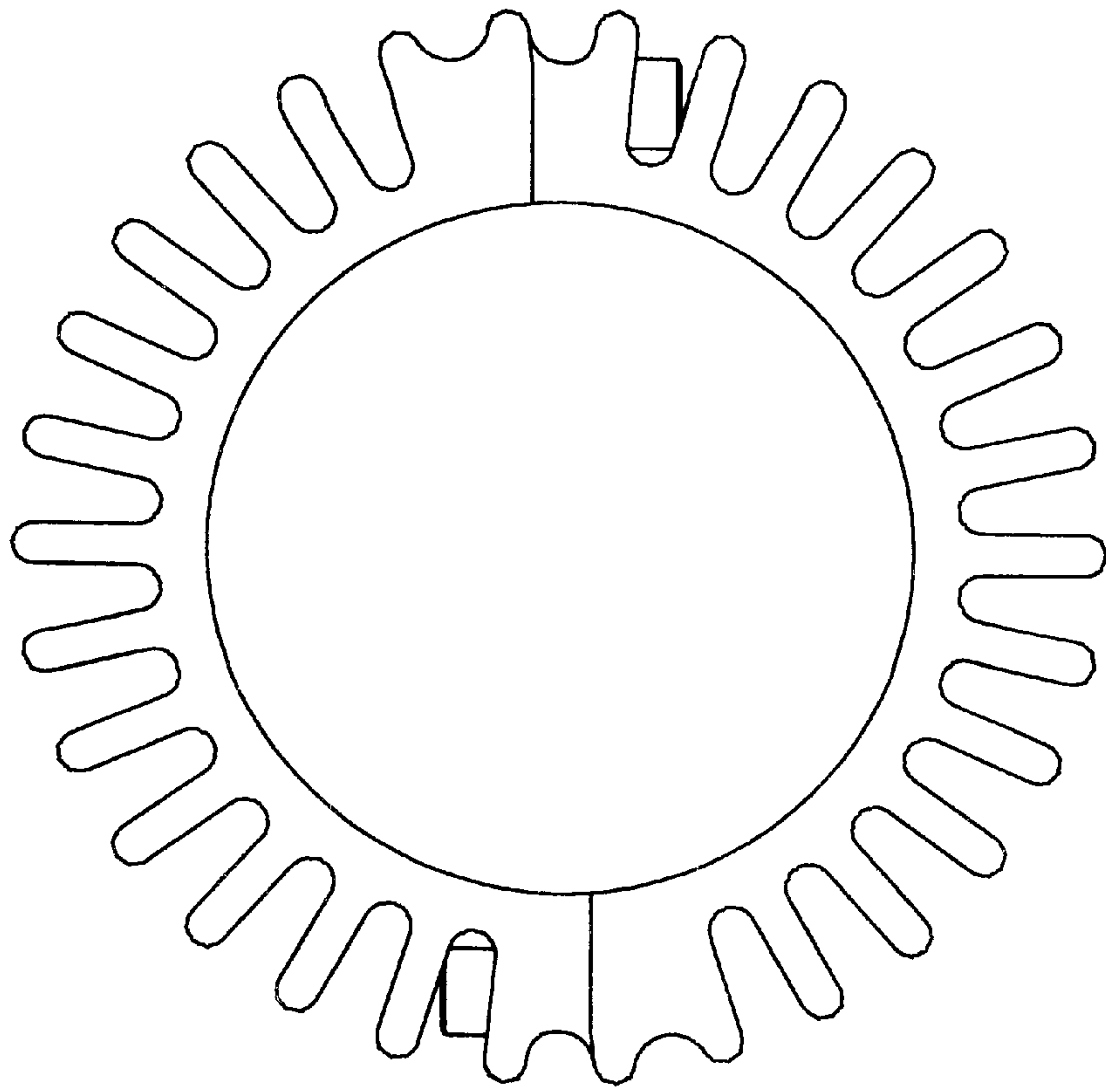


FIG. 5

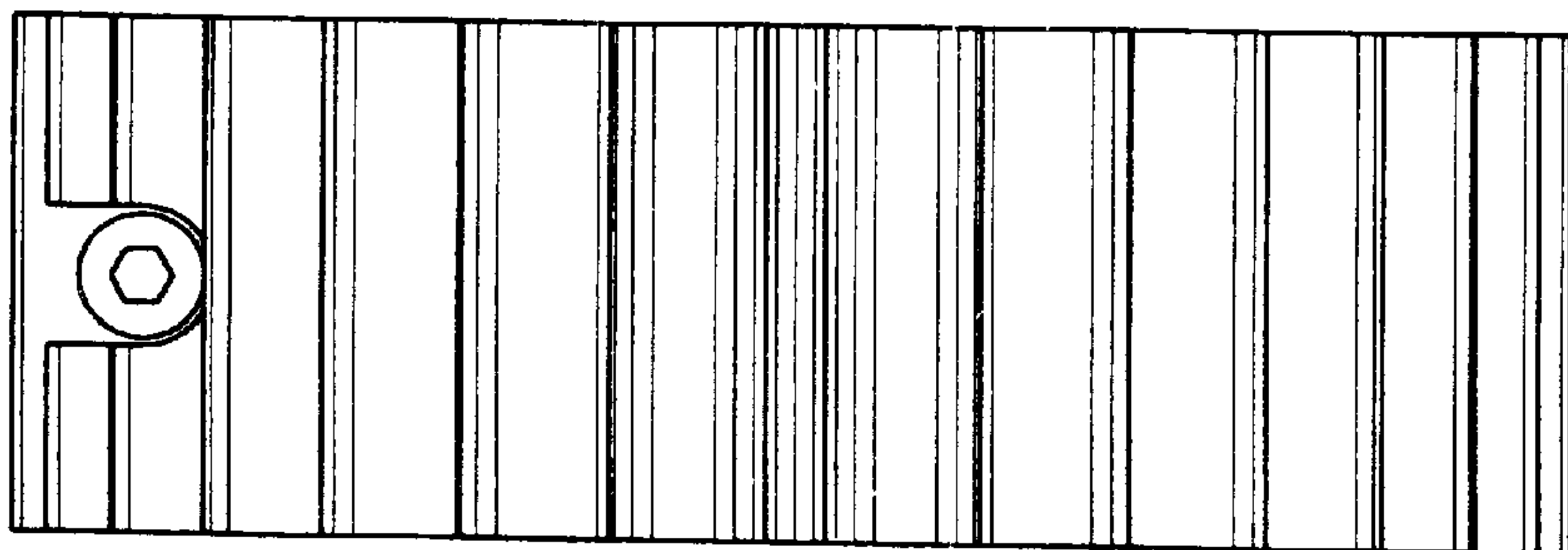


FIG. 6

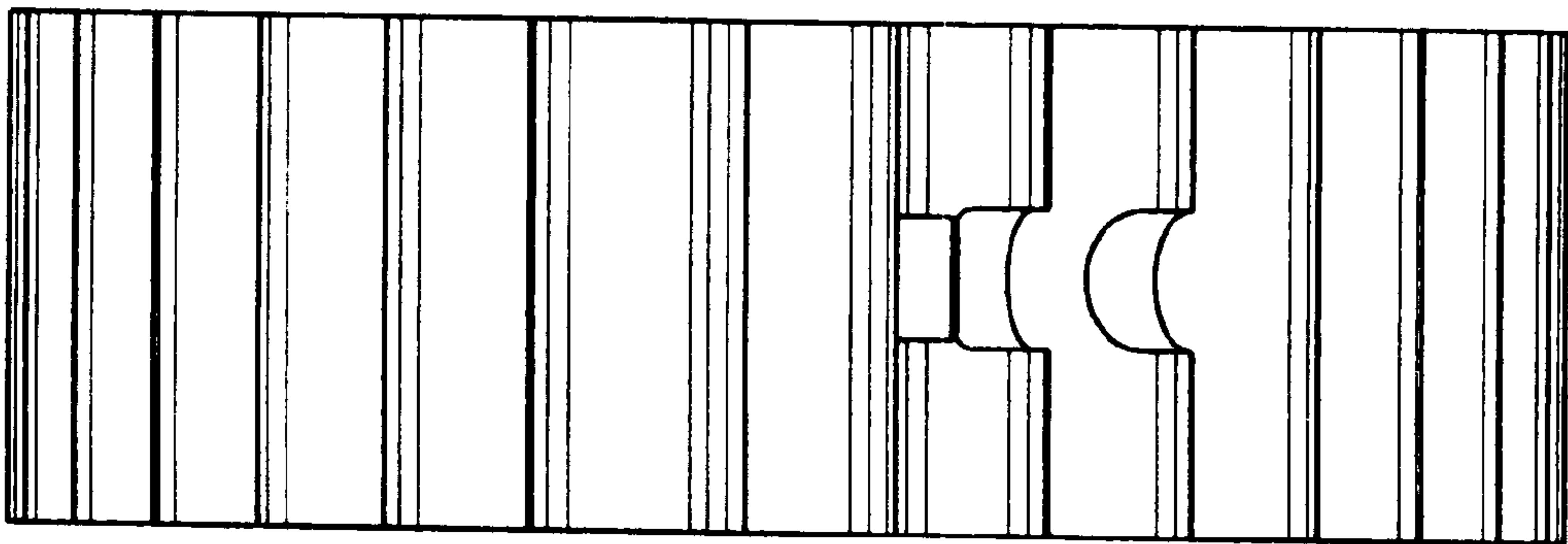


FIG. 7