



US00D427945S

**United States Patent** [19]  
**Kirkpatrick**

[11] **Patent Number: Des. 427,945**

[45] **Date of Patent: \*\* Jul. 11, 2000**

[54] **MOTORIZED VEHICLE**

3,542,391 11/1970 O'Hara ..... 280/282  
3,938,609 2/1976 Kensaku et al. .... 180/210

[76] Inventor: **James R. Kirkpatrick**, 5254 Newcastle Ave., Apt. #35, Encino, Calif. 91316

*Primary Examiner*—Alan P. Douglas  
*Assistant Examiner*—Linda Brooks  
*Attorney, Agent, or Firm*—Chupa & Alberti, P.C.

[\*\*] Term: **14 Years**

[21] Appl. No.: **29/118,380**

[57] **CLAIM**

[22] Filed: **Feb. 4, 2000**

The ornamental design for a motorized vehicle, as shown and described.

[51] **LOC (7) Cl.** ..... **12-11**

**DESCRIPTION**

[52] **U.S. Cl.** ..... **D12/112**

[58] **Field of Search** ..... D12/110-113;  
180/210-217; 296/78.1

FIG. 1 is a perspective view of my design for a motorized vehicle;

[56] **References Cited**

FIG. 2 is a front view thereof;

FIG. 3 is a side view thereof, the opposite side being a mirror image;

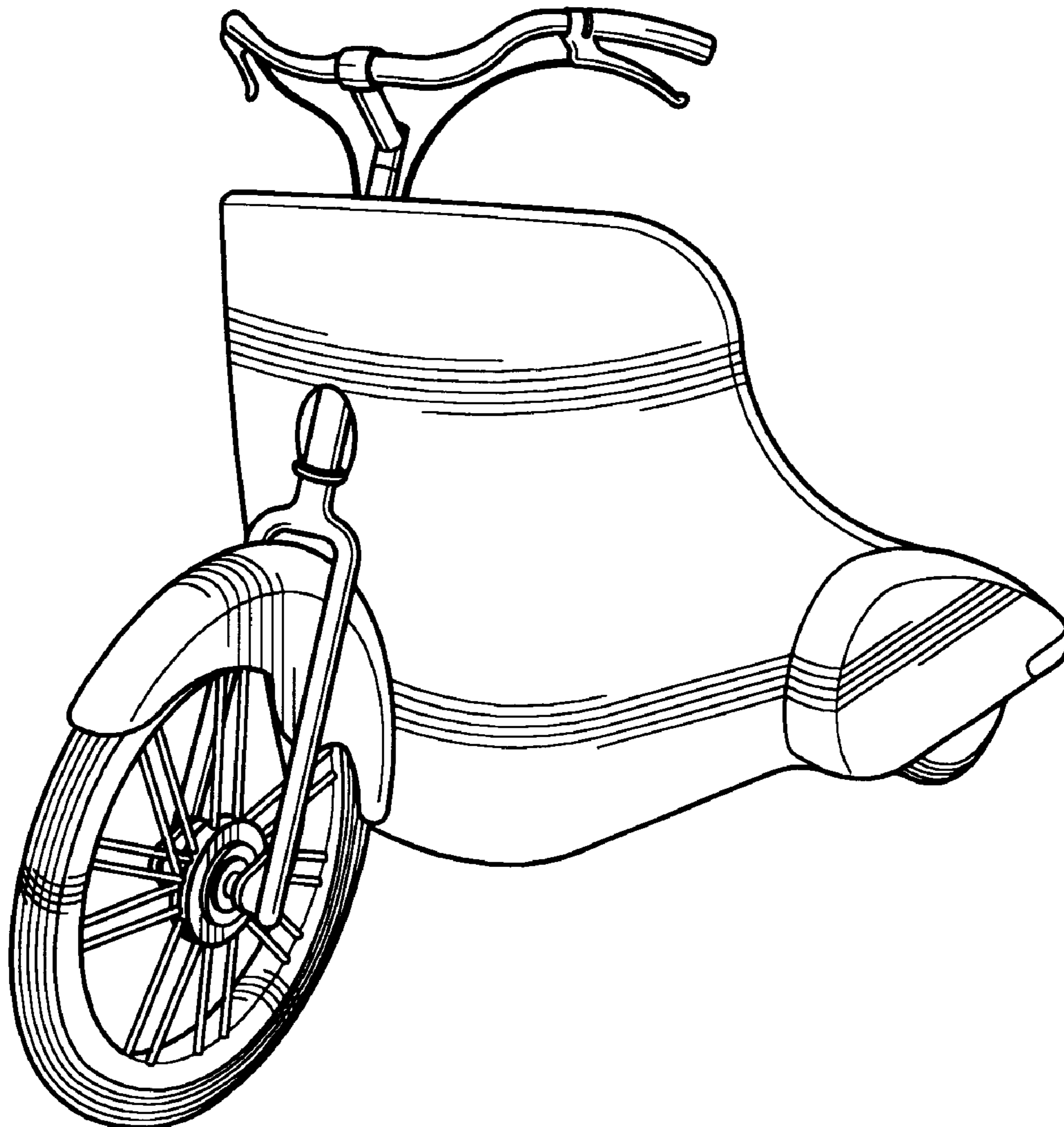
**U.S. PATENT DOCUMENTS**

D. 210,758	4/1968	Binder	.....	D12/112
D. 344,914	3/1994	McNutt	.....	D12/110
D. 348,030	6/1994	Heathcote	.....	D12/110
2,160,546	5/1939	Hurtado	.....	296/78.1

FIG. 4 is a rear view thereof; and,

FIG. 5 is a bottom view thereof.

**1 Claim, 3 Drawing Sheets**



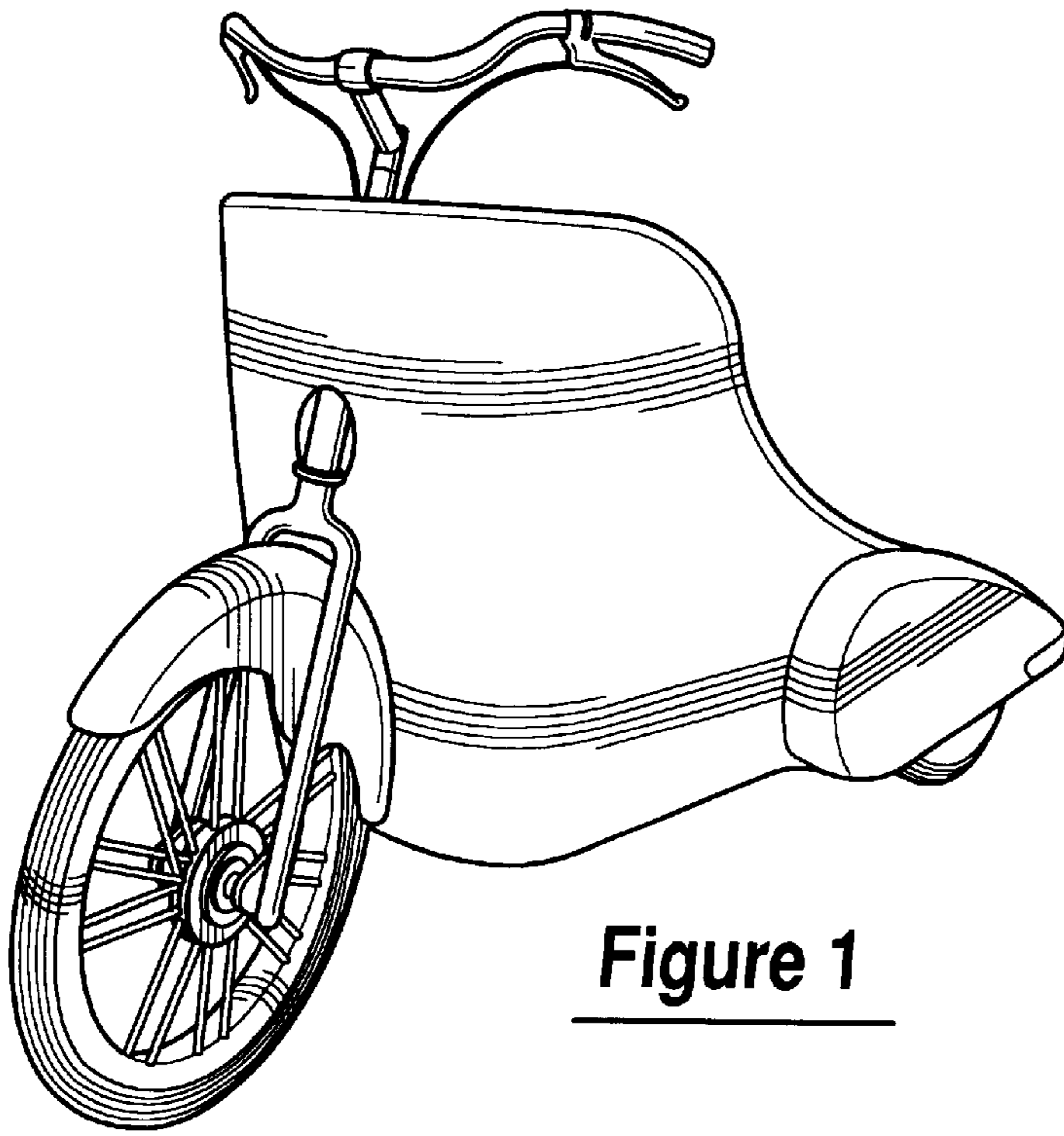


Figure 1

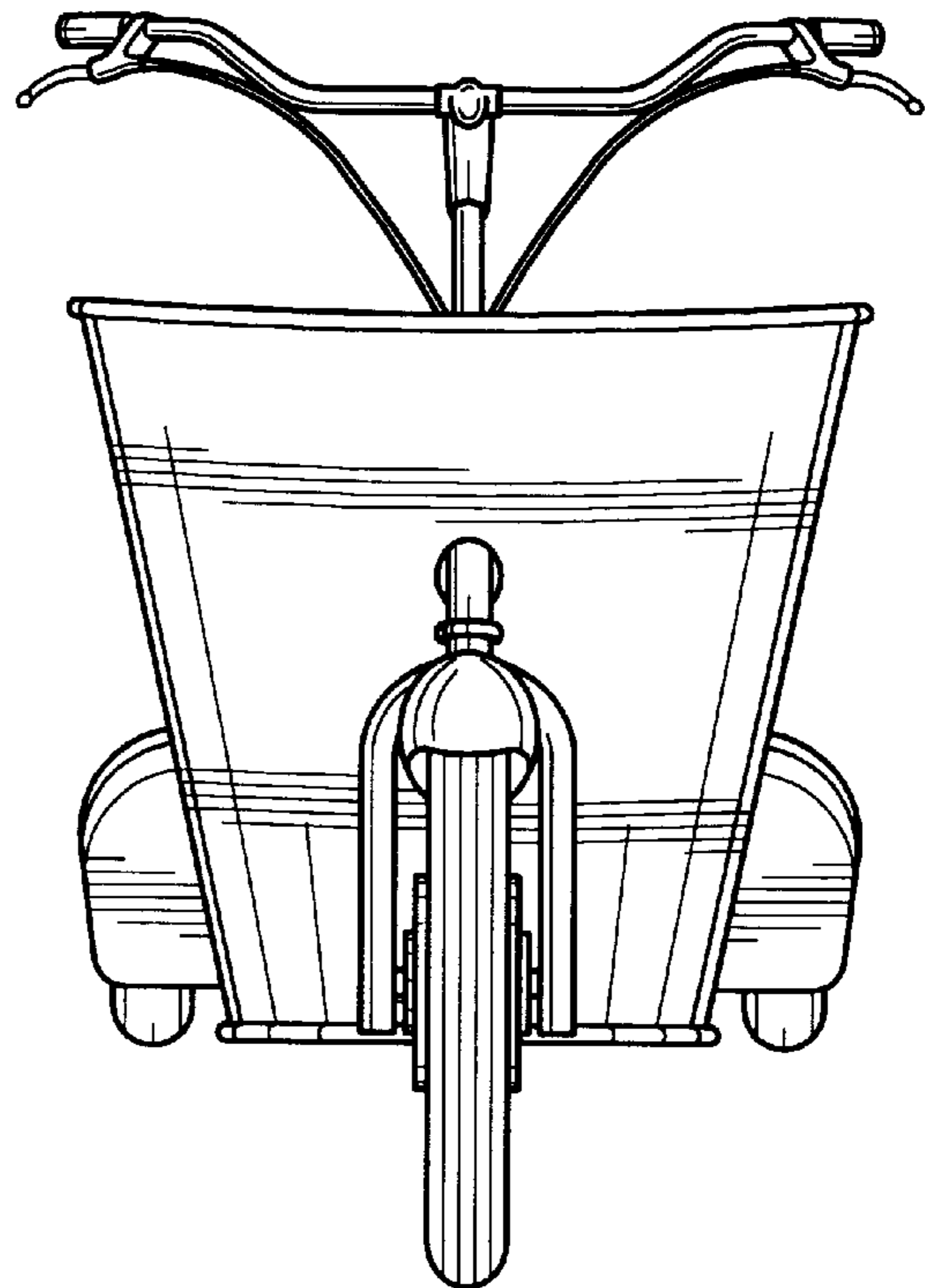


Figure 2

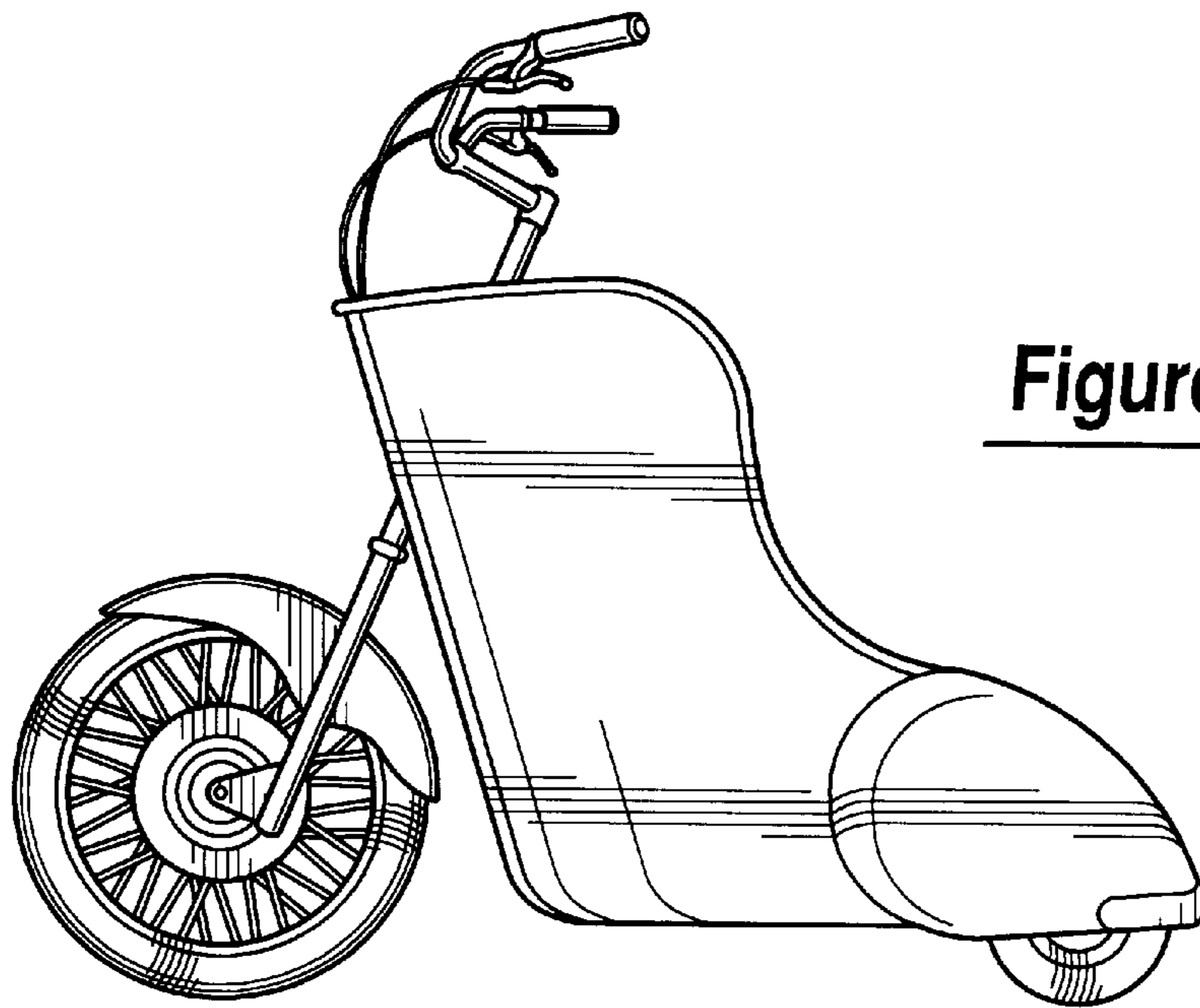


Figure 3

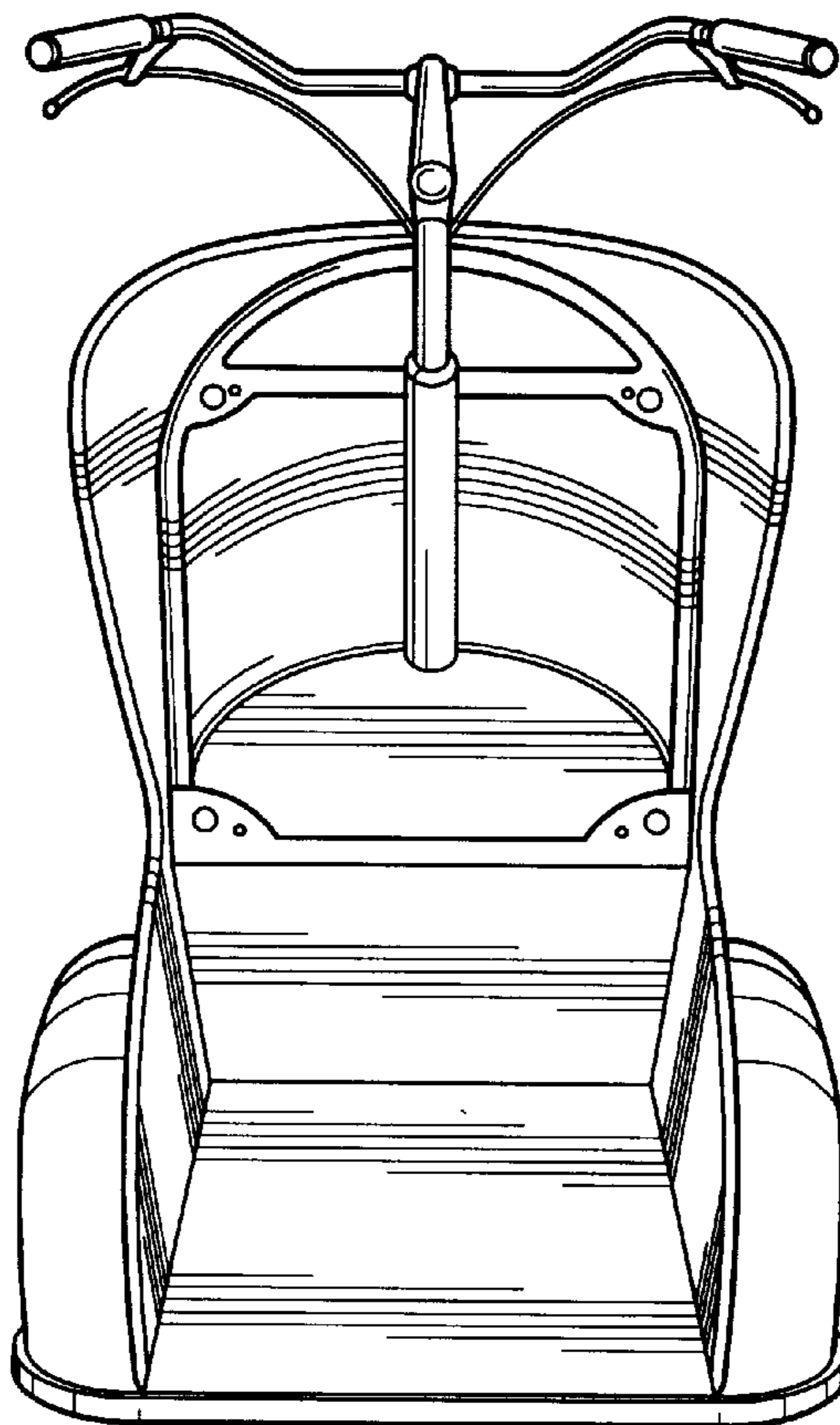
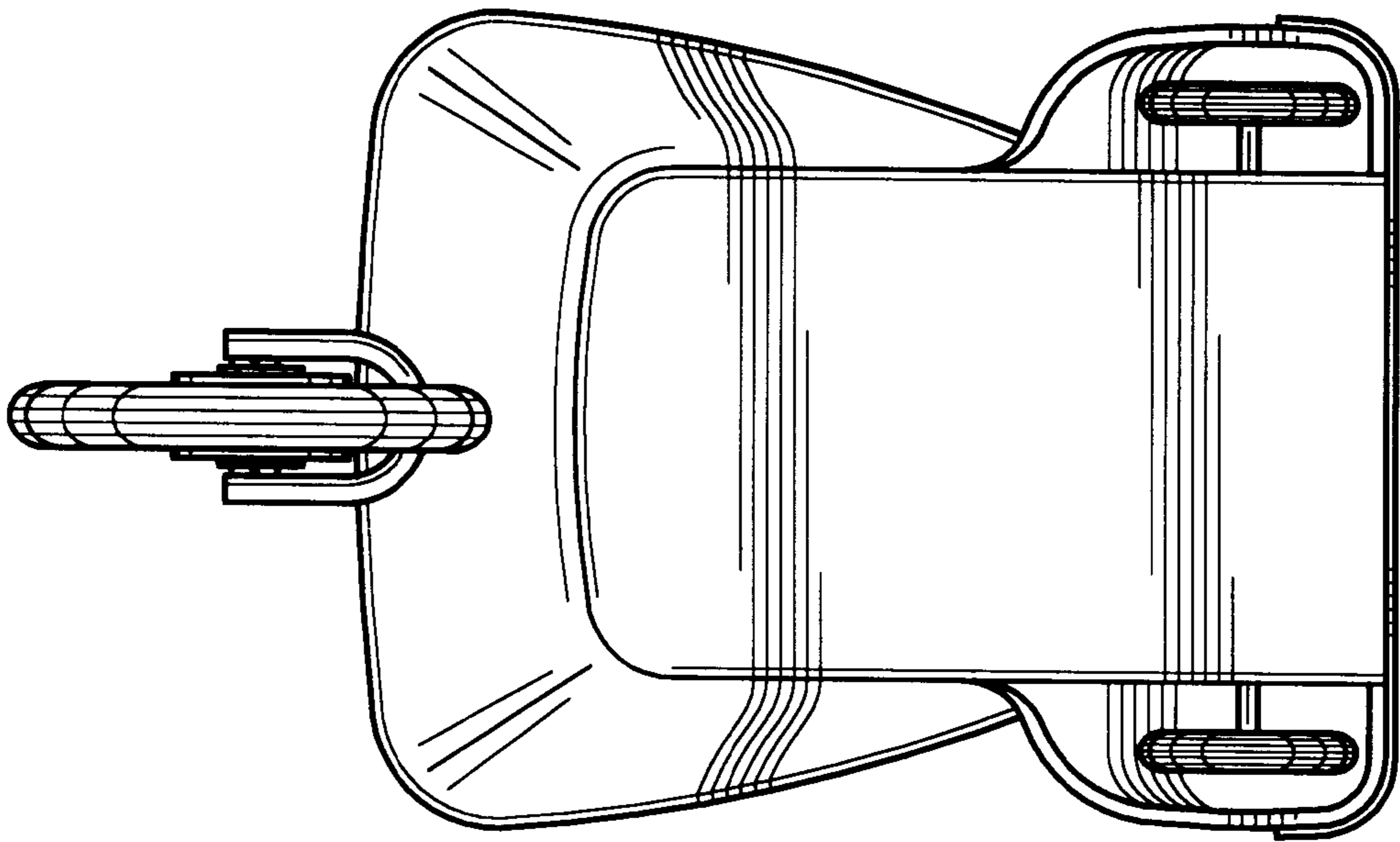


Figure 4



**Figure 5**