



US00D427943S

# United States Patent [19]

[11] Patent Number: **Des. 427,943**

Lehman et al.

[45] Date of Patent: **\*\* Jul. 11, 2000**

[54] **EXTERIOR SURFACE OF REAR WHEEL UNIT FOR A MOTORCYCLE TO TRICYCLE CONVERSION KIT**

D. 281,963 12/1985 Watanabe ..... D12/110  
D. 287,835 1/1987 Makita et al. .... D12/110  
4,287,960 9/1981 McConnell ..... 280/283

[75] Inventors: **John Lehman**, Westlock; **Larry David Strilchuk**, Spruce Grove, both of Canada

*Primary Examiner*—Melody N. Brown  
*Attorney, Agent, or Firm*—Davis and Bujold

[73] Assignee: **Lehman Trikes, Inc.**, Westlock, Canada

[57] **CLAIM**

[\*\*] Term: **14 Years**

The ornamental design for an exterior surface of rear wheel unit for a motorcycle to tricycle conversion kit, as shown and described.

[21] Appl. No.: **29/054,421**

**DESCRIPTION**

[22] Filed: **May 14, 1996**

FIG. 1 is a perspective view of an exterior surface of rear wheel unit for a motorcycle to tricycle conversion kit showing our new design;

[51] **LOC (7) Cl.** ..... **12-11**

[52] **U.S. Cl.** ..... **D12/110; D12/114**

FIG. 2 is a right side elevation view;

[58] **Field of Search** ..... D12/110, 112,

D12/114; 280/271, 282, 283; 180/215, 210, 217

FIG. 3 is a left side elevation view;

FIG. 4 is a front elevation view;

FIG. 5 is a rear elevation view; and,

FIG. 6 is a top plan view.

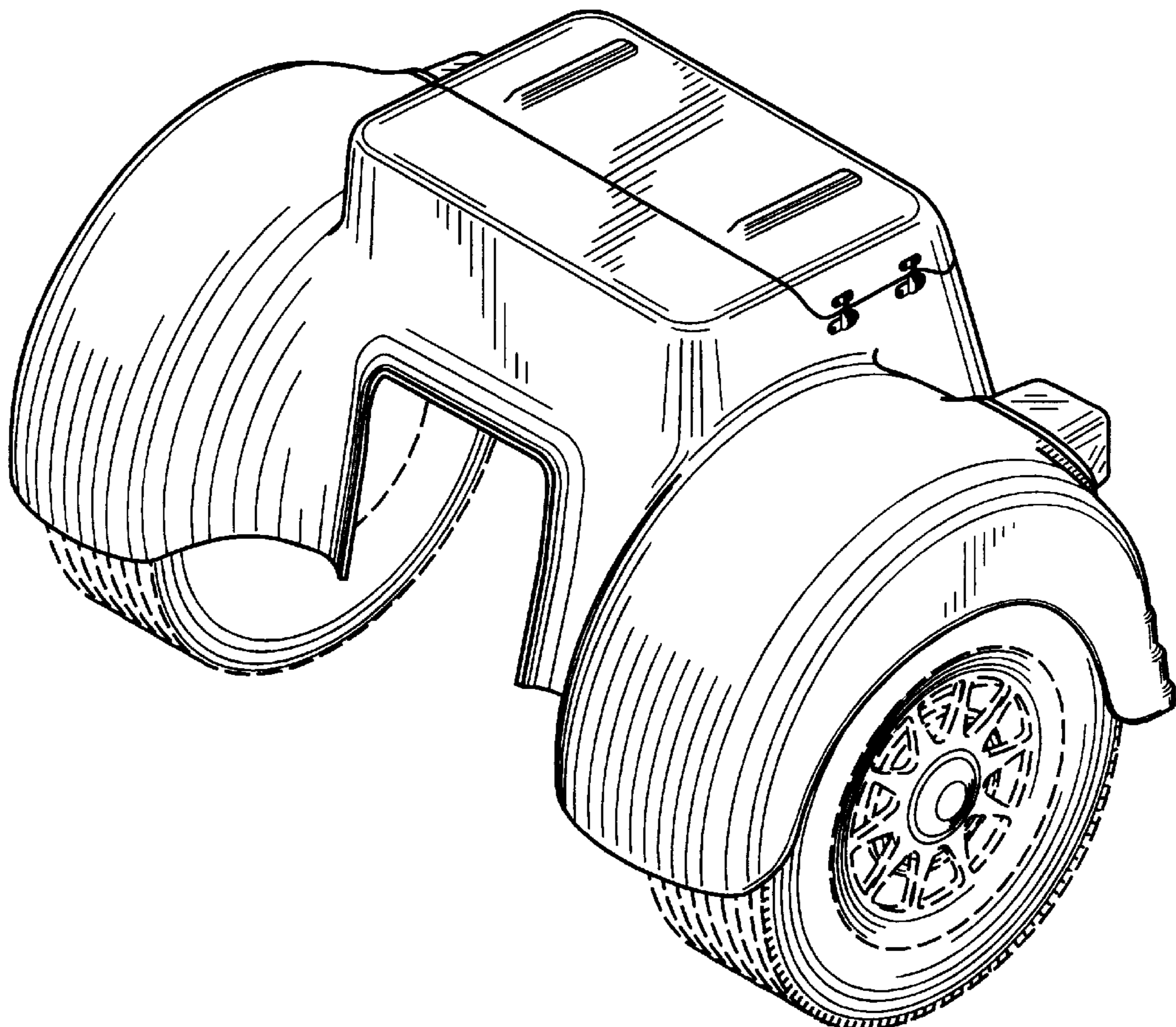
[56] **References Cited**

The broken lines shown in all view of the drawing are for illustrative purposes only and form no part of the claimed design.

**U.S. PATENT DOCUMENTS**

D. 233,031 10/1974 Roth ..... D12/112  
D. 263,693 4/1982 Kaiser et al. .... D12/112  
D. 268,923 5/1983 Mann ..... D12/112

**1 Claim, 6 Drawing Sheets**



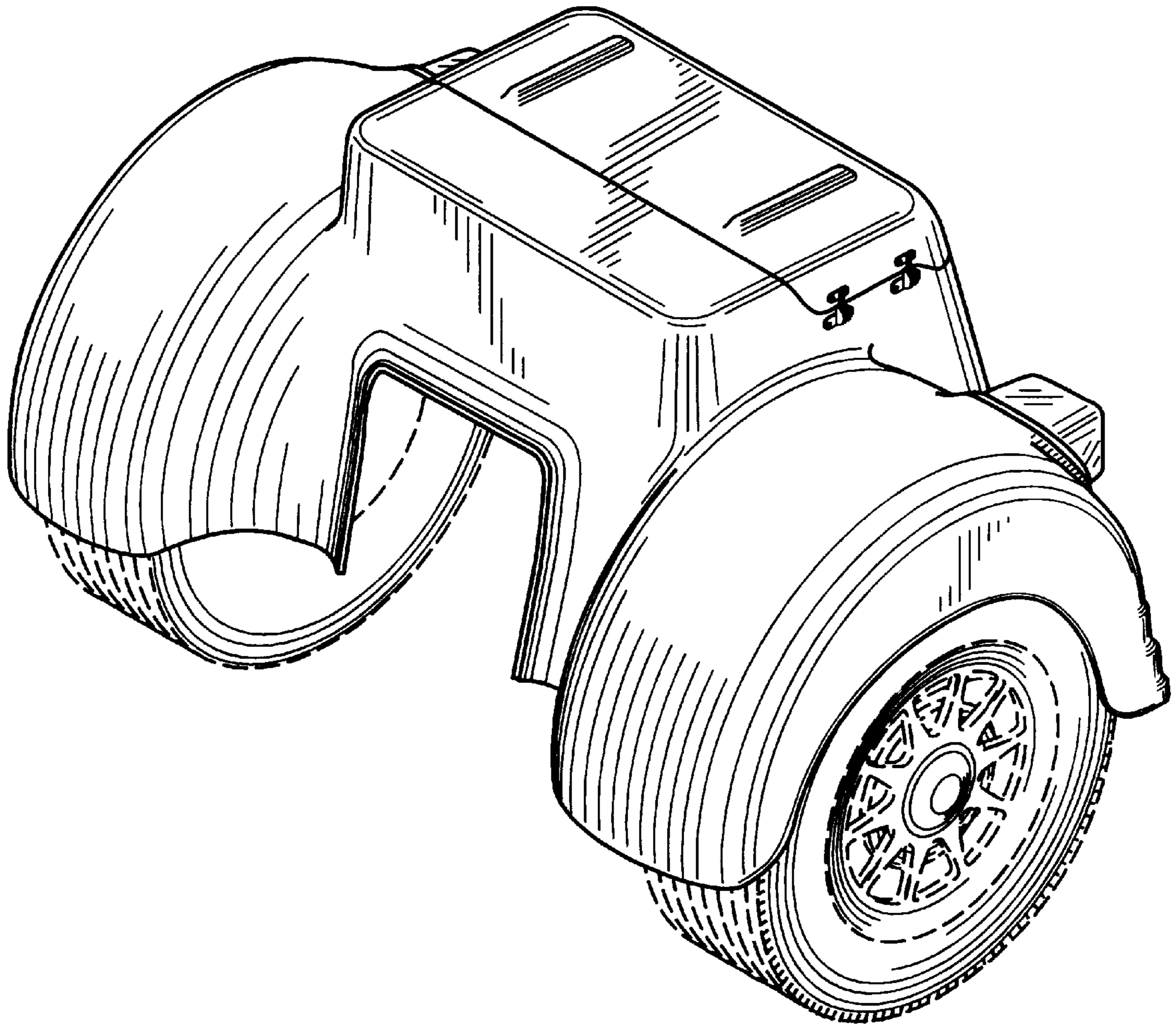


FIG. 1.

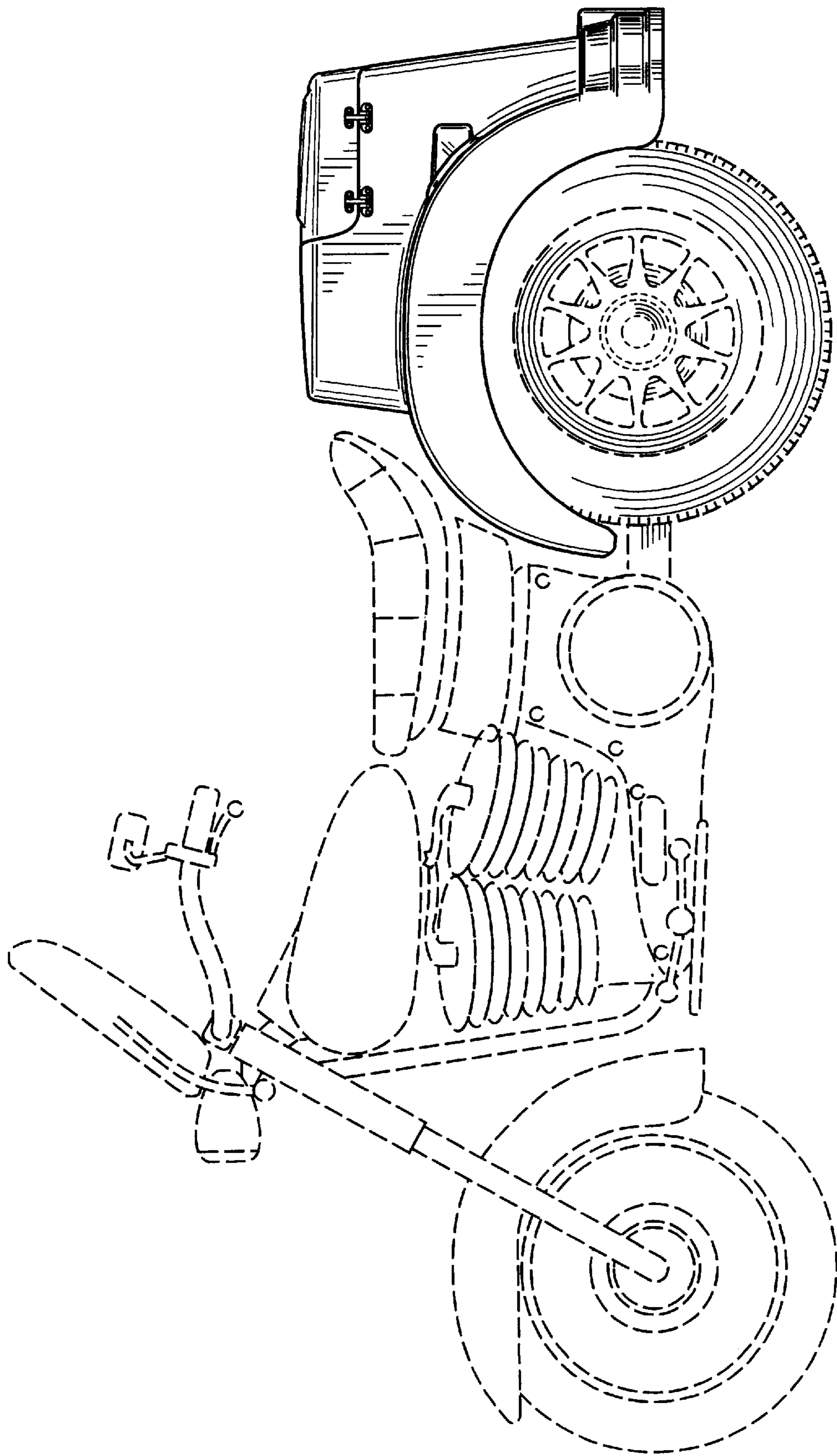


FIG. 2.



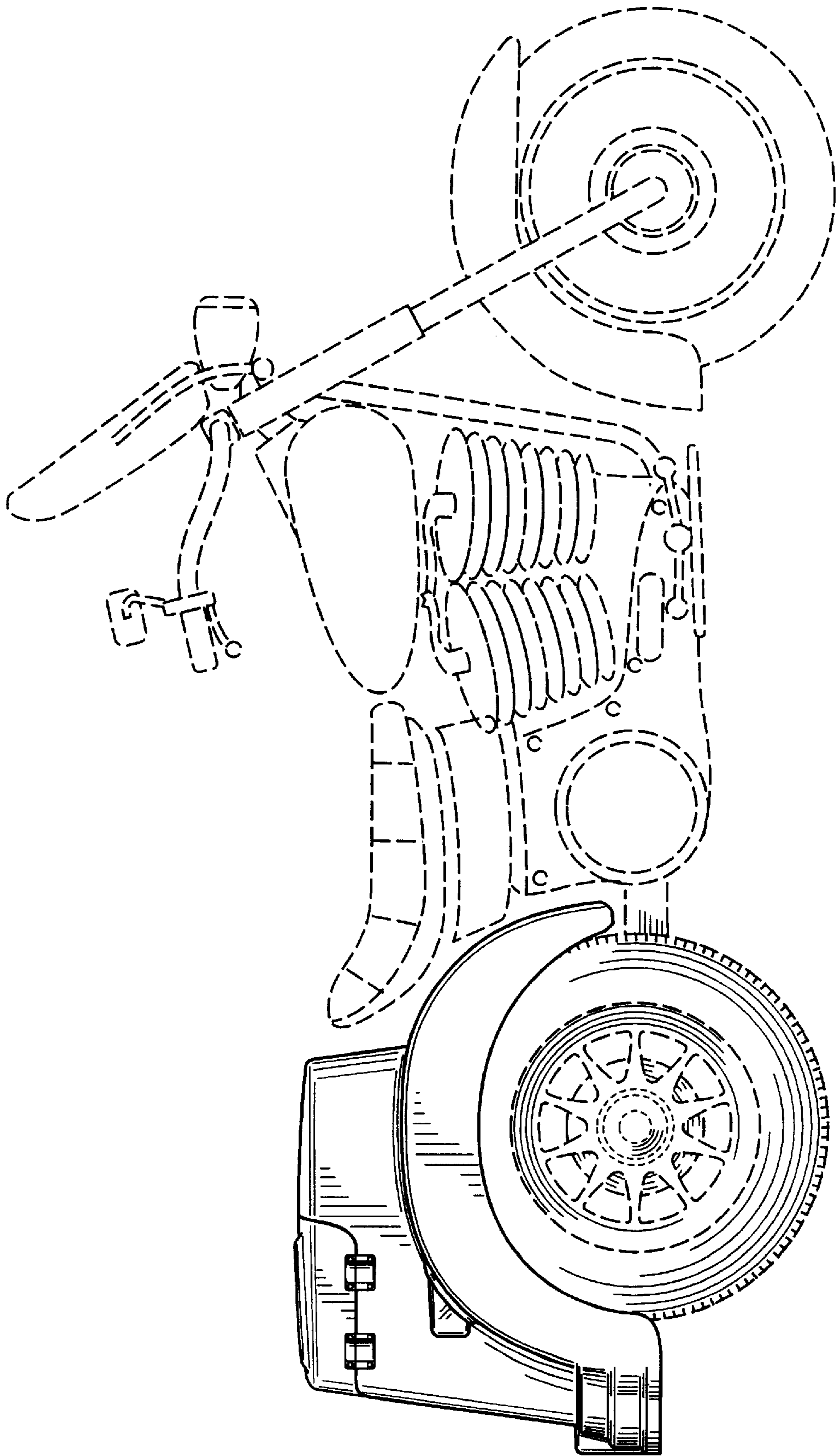


FIG. 3.

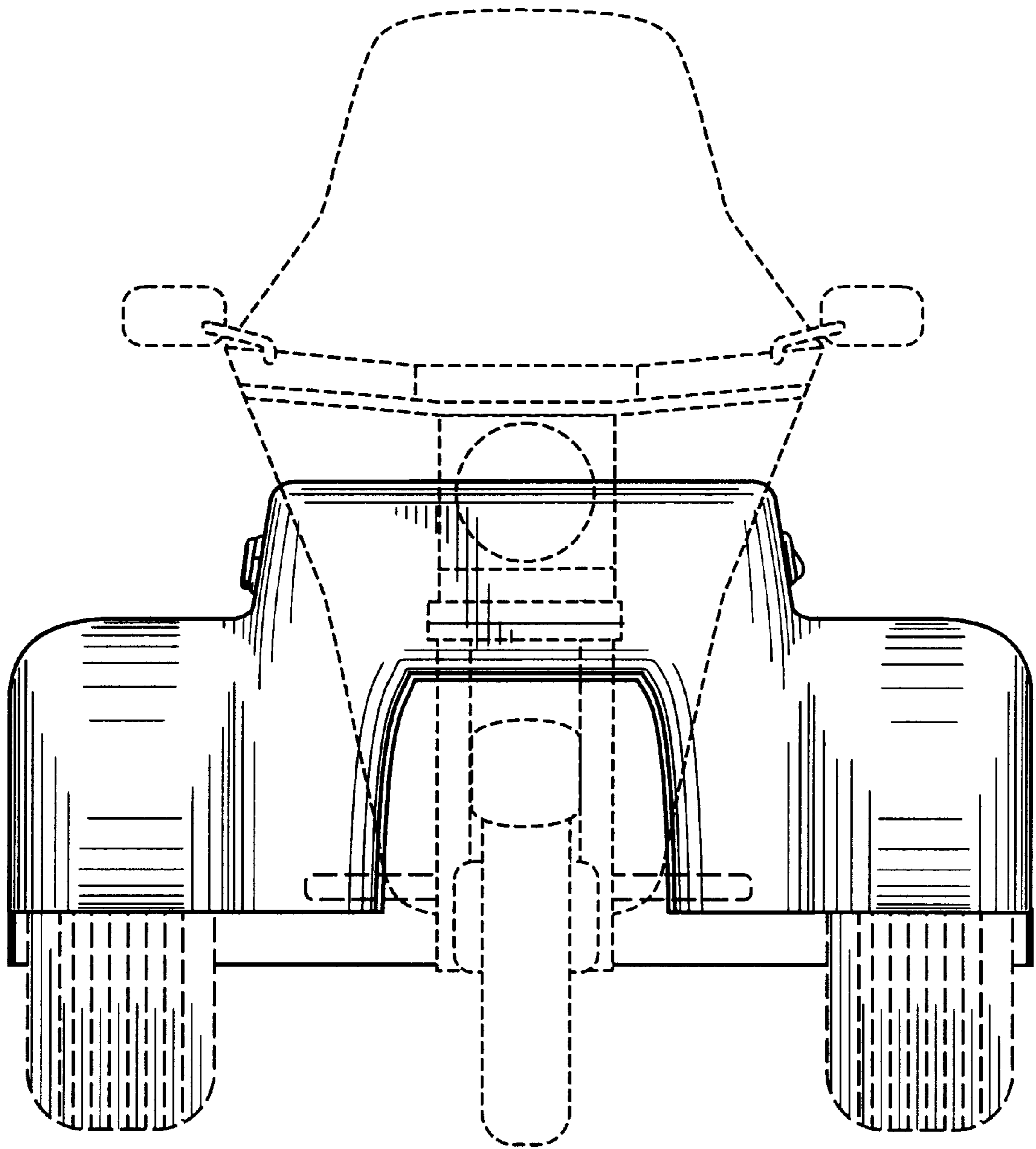


FIG. 4.

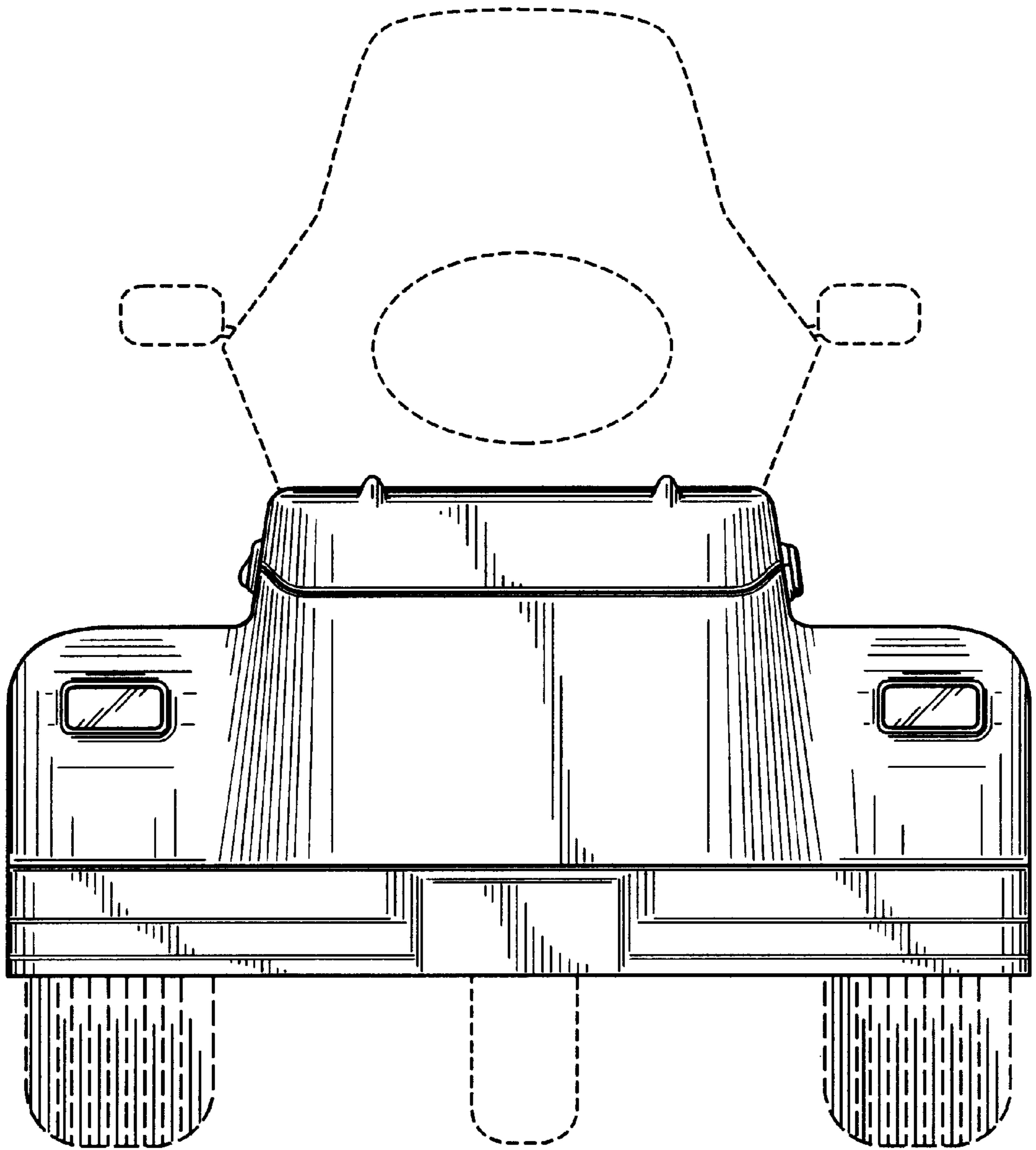


FIG. 5.

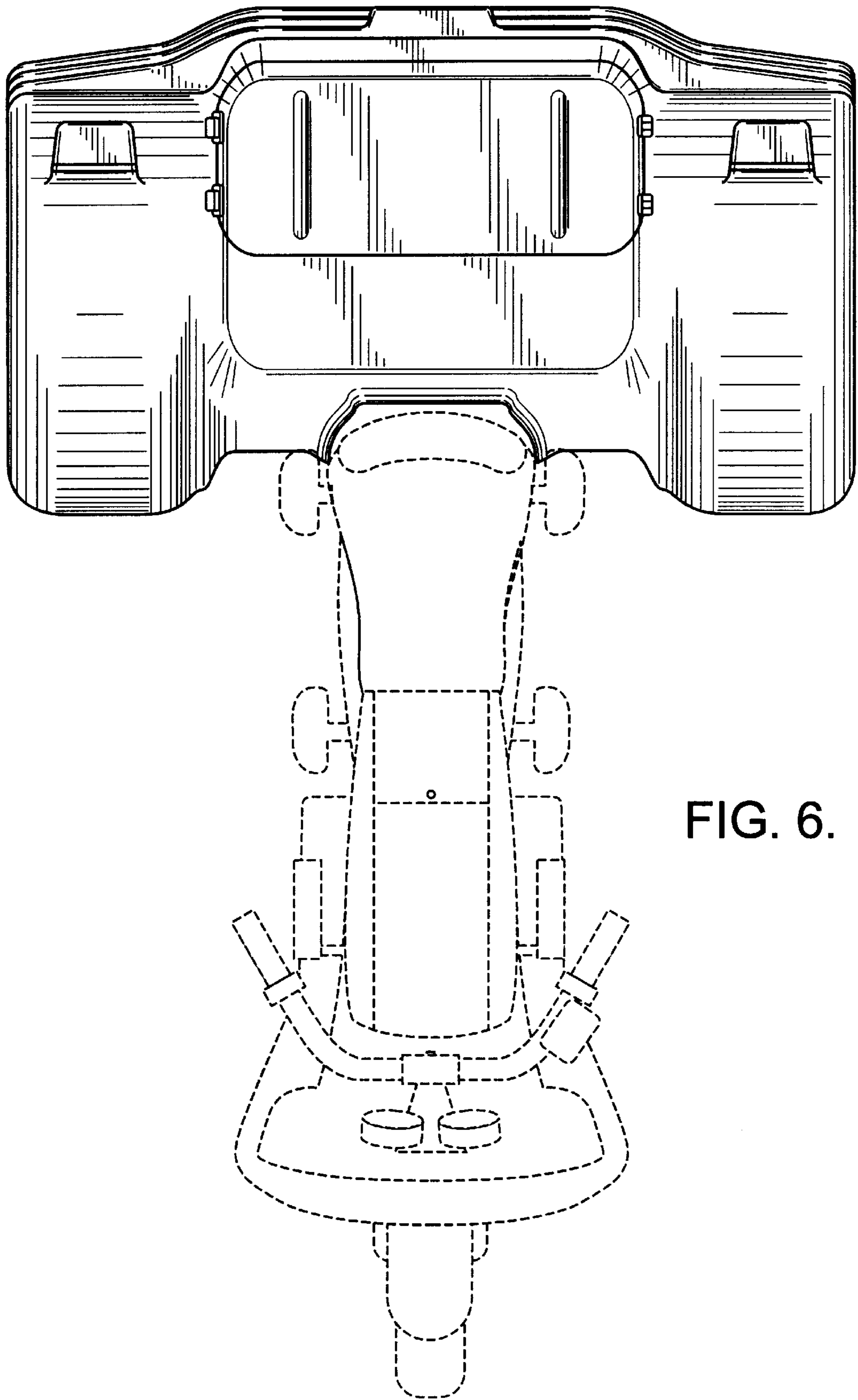


FIG. 6.