



US00D427942S

United States Patent [19] Cho et al.

[11] **Patent Number: Des. 427,942**
[45] **Date of Patent: ** Jul. 11, 2000**

[54] **ALL TERRAIN VEHICLE**

D. 330,694 11/1992 Kimura et al. D12/107
D. 412,464 8/1999 Ichihara et al. D12/107

[75] Inventors: **You-Ming Cho; Huei-Gin Cho;
Mei-Rong Tzow**, all of Hainan, China

Primary Examiner—Melody N. Brown
Attorney, Agent, or Firm—Chien-Wei (Chris) Chou;
Oppenheimer Wolff & Donnelly LLP

[73] Assignee: **Century Limited**, San Jose, Calif.

[**] Term: **14 Years**

[57] CLAIM

[21] Appl. No.: **29/109,682**

The ornamental design for an all terrain vehicle, as shown and described.

[22] Filed: **Aug. 18, 1999**

DESCRIPTION

[51] **LOC (7) Cl.** **12-11**

FIG. 1 is a front/right/top perspective view of an all terrain vehicle showing the new design;
FIG. 2 is a right side elevation view thereof;
FIG. 3 is a left side elevation view thereof;
FIG. 4 is a front elevation view thereof;
FIG. 5 is a rear elevation view thereof;
FIG. 6 is a top view thereof; and,
FIG. 7 is a bottom view thereof.

[52] **U.S. Cl.** **D12/107**

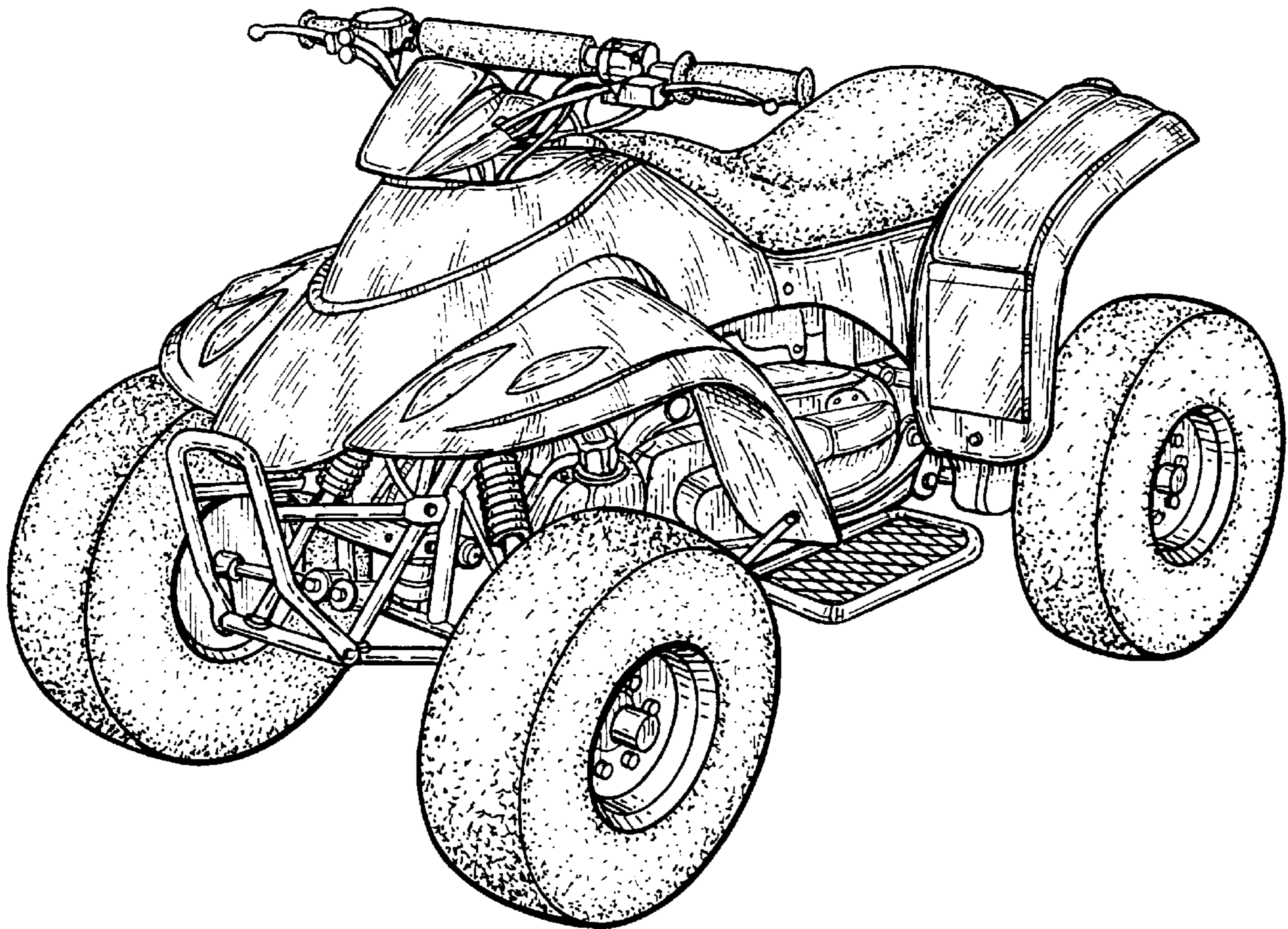
[58] **Field of Search** D12/107, 3; 180/233,
180/315, 311, 312, 225, 229

[56] References Cited

U.S. PATENT DOCUMENTS

D. 298,744 11/1988 Saito et al. D12/107
D. 327,457 6/1992 Saito D12/107

1 Claim, 4 Drawing Sheets



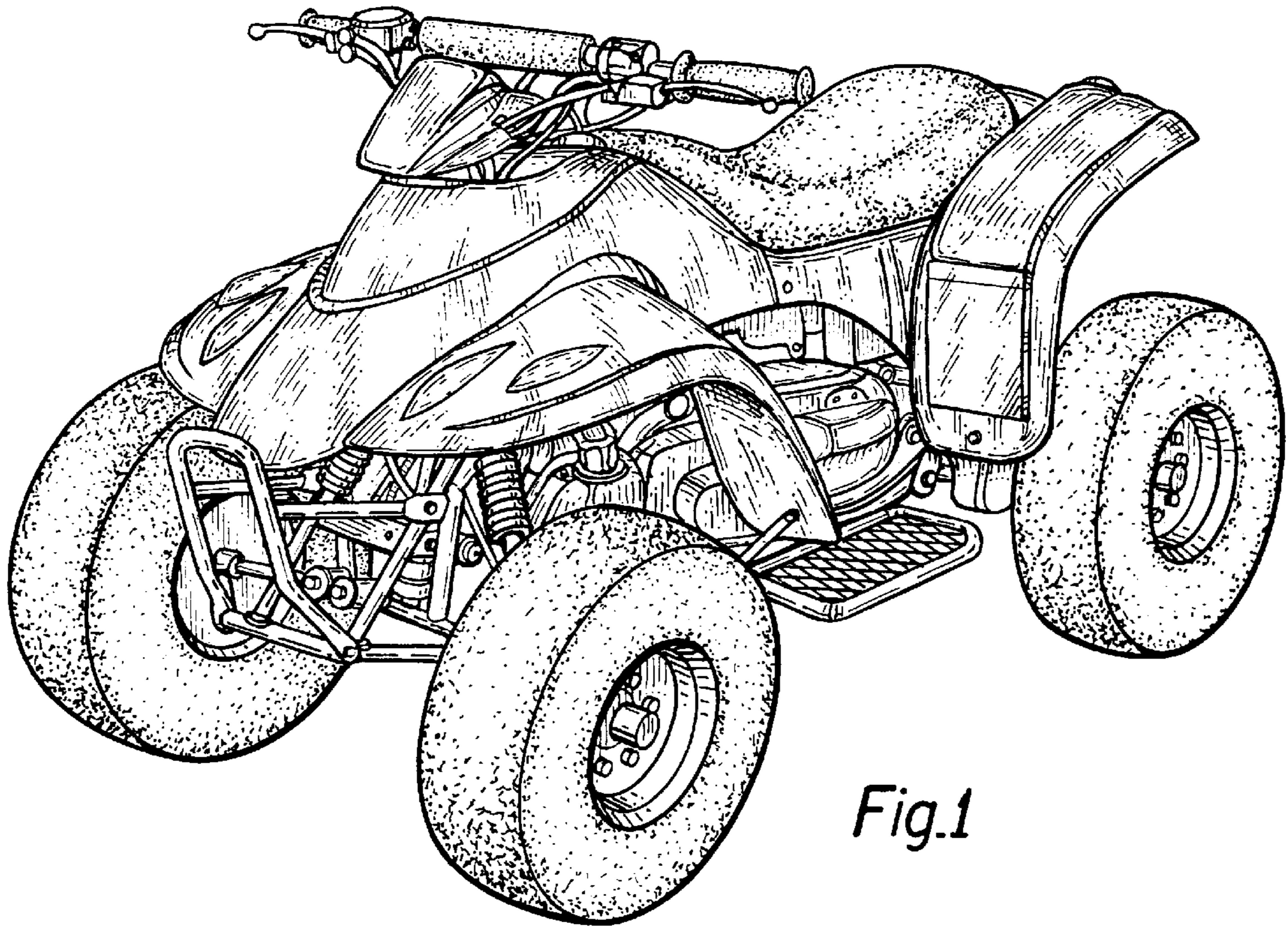


Fig.1

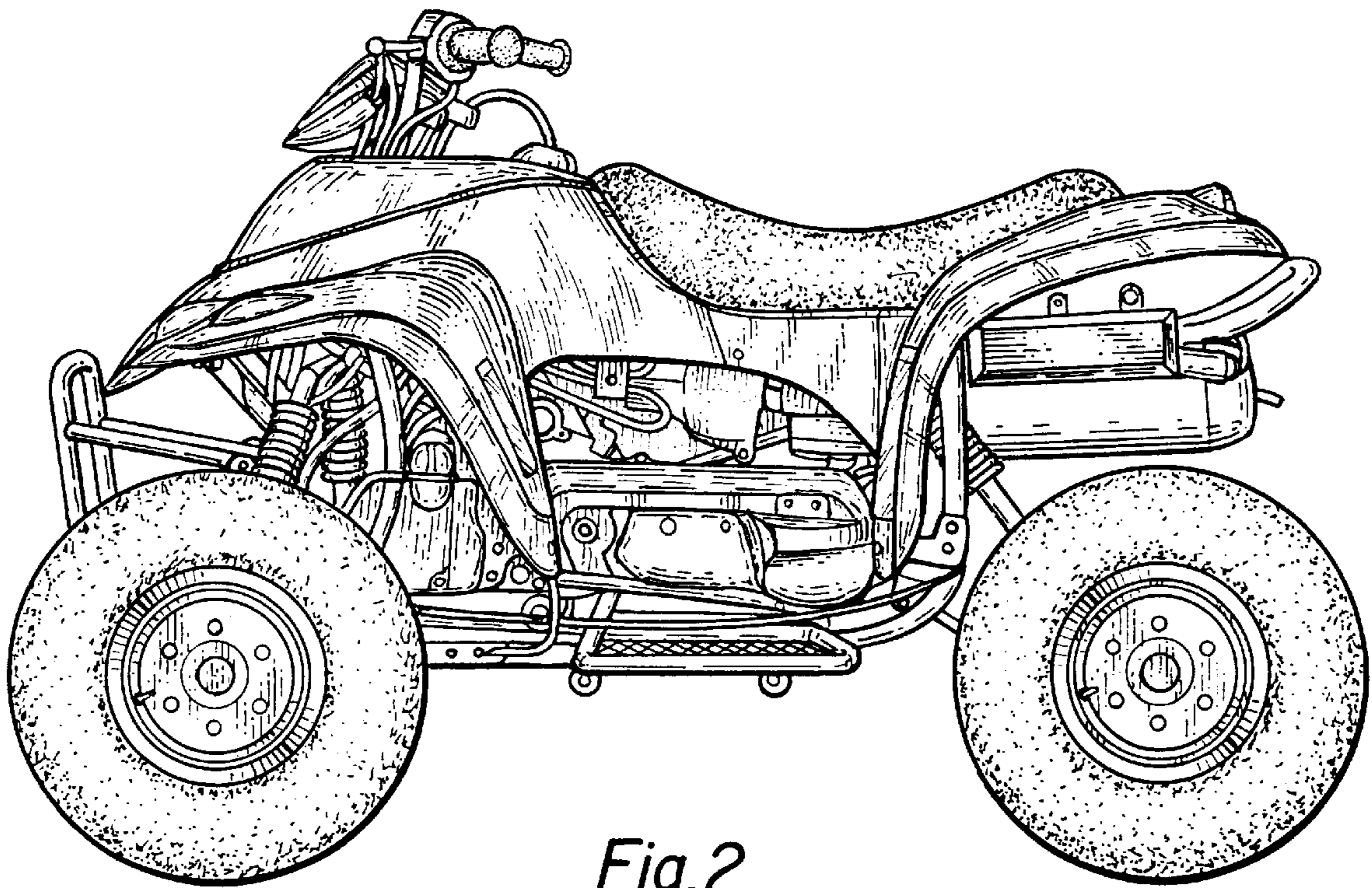
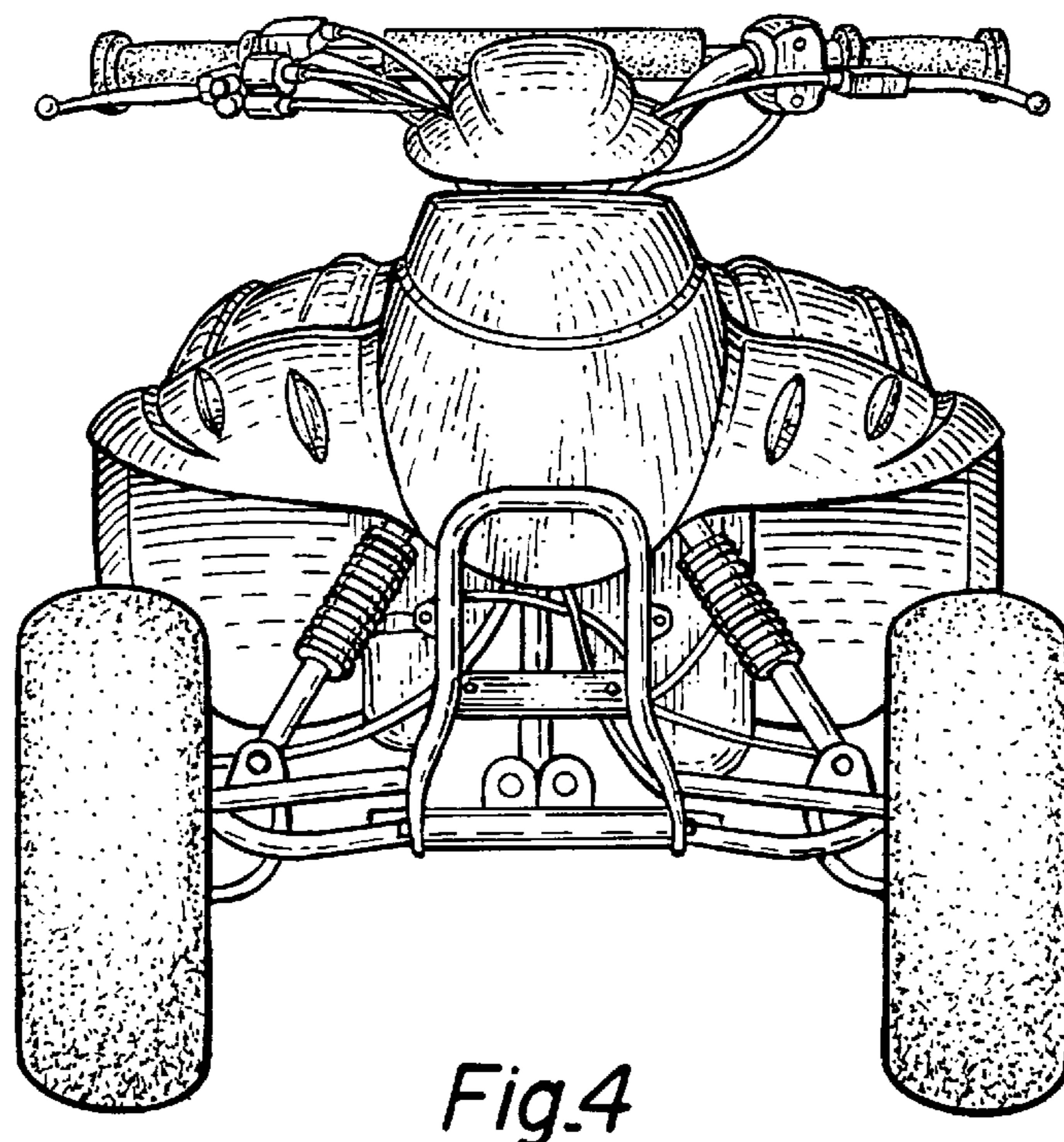
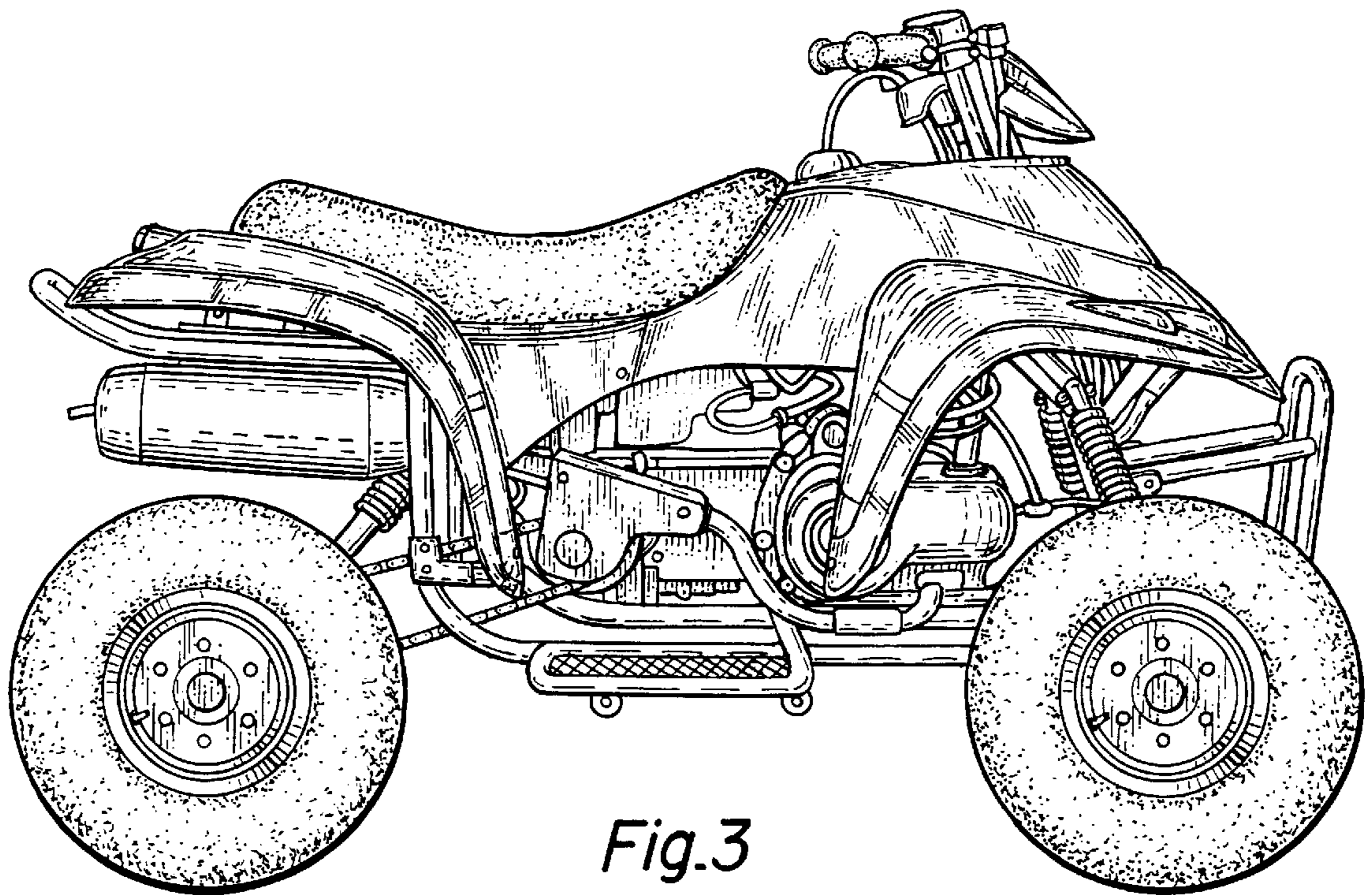
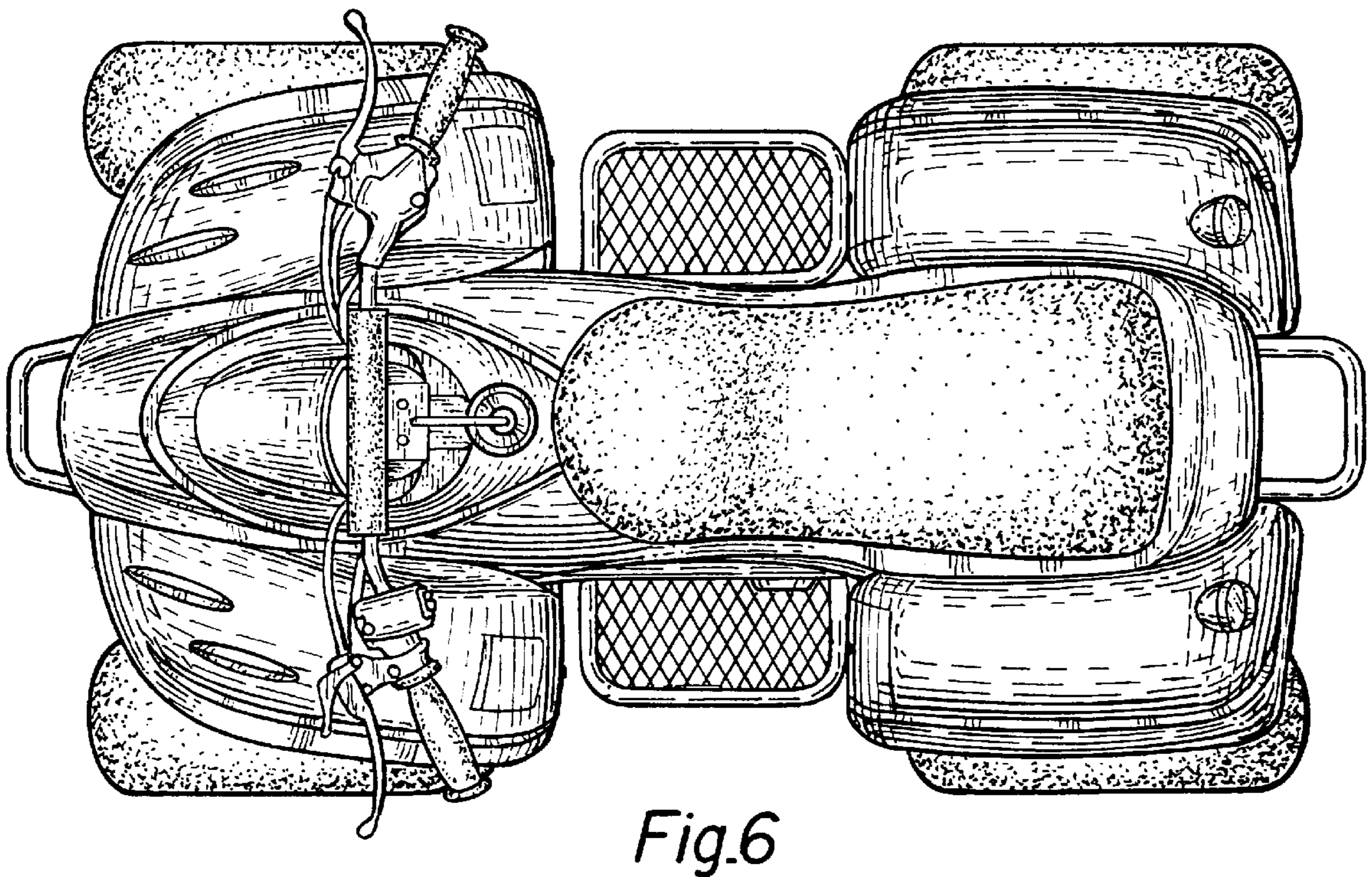
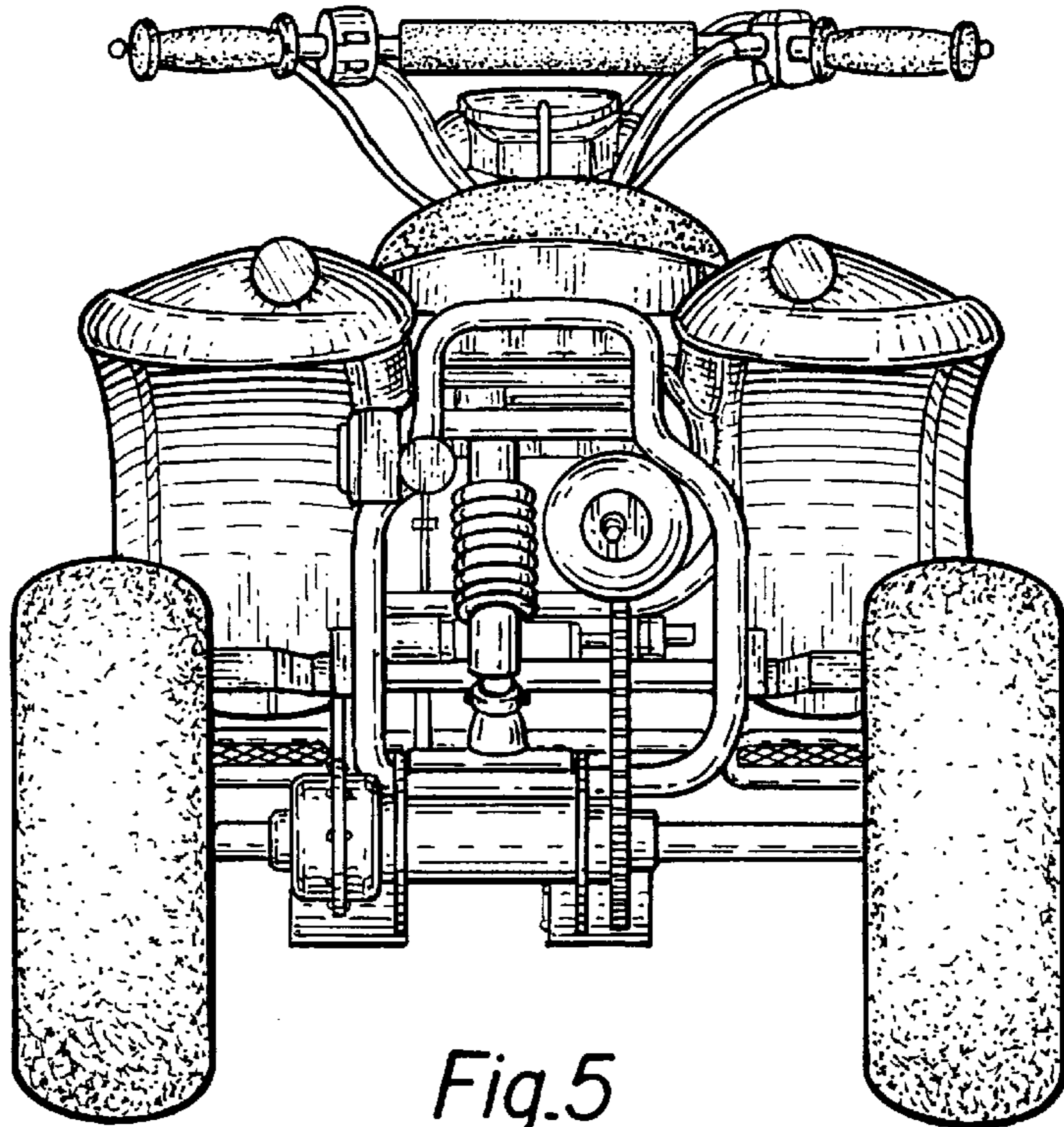


Fig.2





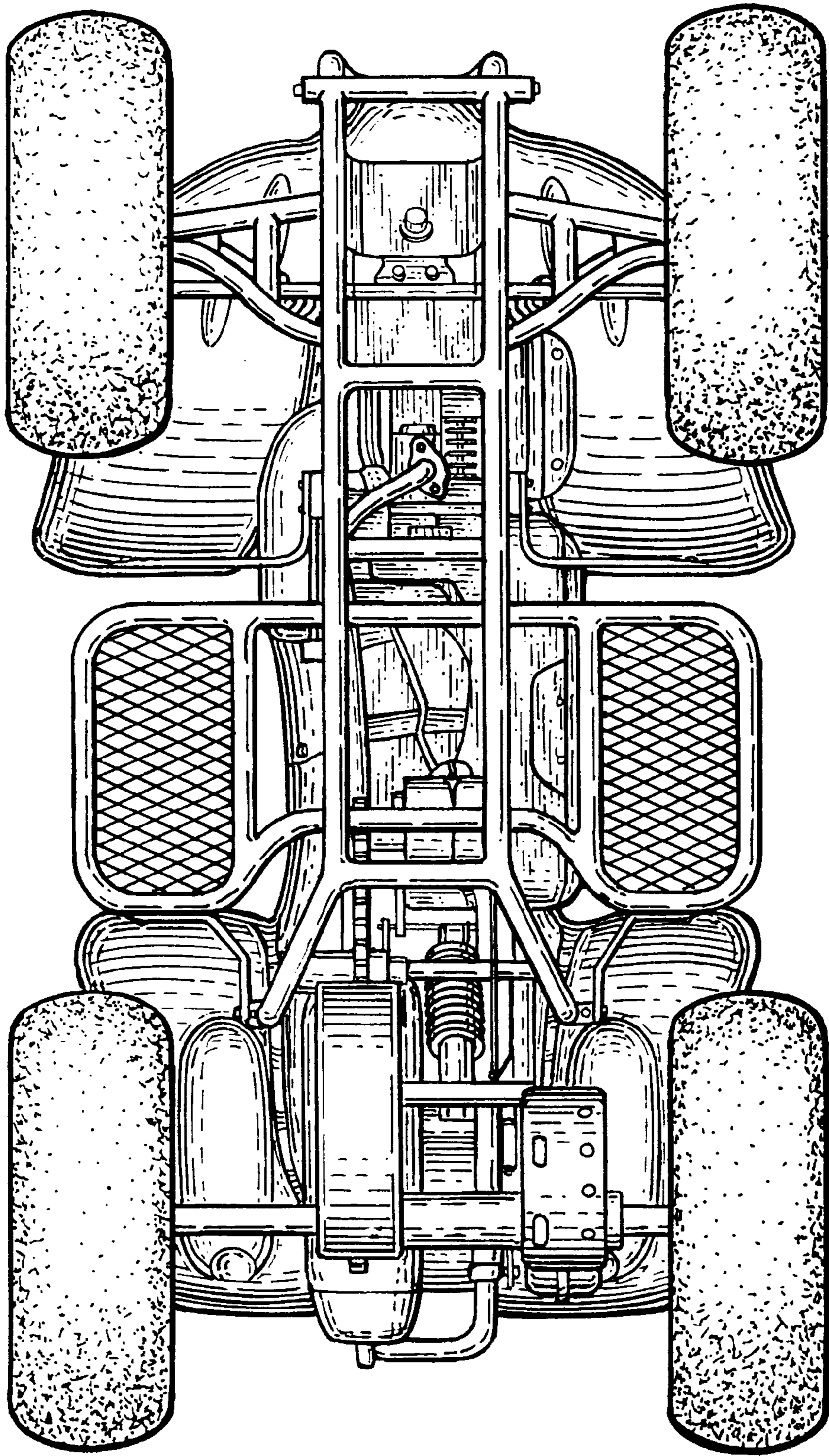


Fig. 7