



US00D427934S

United States Patent [19] Lai

[11] **Patent Number: Des. 427,934**

[45] **Date of Patent: ** Jul. 11, 2000**

[54] **JEWELRY SETTING**

D. 391,516 3/1998 Kothari D11/75

[75] Inventor: **Danny S. Lai**, New York, N.Y.

Primary Examiner—Ralf Seifert
Attorney, Agent, or Firm—Stephen E. Feldman

[73] Assignee: **Gramercy Jewelry (Mfg.) Corp.**, New York, N.Y.

[57] **CLAIM**

[**] Term: **14 Years**

The ornamental design for a jewelry setting, as shown and described.

[21] Appl. No.: **29/106,986**

DESCRIPTION

[22] Filed: **Jun. 28, 1999**

[51] **LOC (7) Cl.** **11-01**

[52] **U.S. Cl.** **D11/92**

[58] **Field of Search** D11/1-47, 89-92,
D11/86, 75; 63/3, 4, 12, 13, 15, 26-28;
59/80

FIG. 1 is a plan view of a jewelry setting showing my new design, the broken line showing is for illustrative purposes only and forms no part of the claimed design;
FIG. 2 is a right side elevational view;
FIG. 3 is left side elevation view;
FIG. 4 is a perspective view;
FIG. 5 is a top plan view shown in a position of use as a pendant, the broken line showings for illustrative purpose only and forms no part of the claimed design;
FIG. 6 is a perspective view of FIG. 5;
FIG. 7 is a top plan view shown in a position of use as with a finger ring, the broken line showing is for illustrative purposes only and forms no part of the claimed design; and,
FIG. 8 is a perspective view of FIG. 7.

[56] **References Cited**

U.S. PATENT DOCUMENTS

D. 33,769	12/1900	Hartmann	D11/90
D. 65,193	7/1924	Leveridge	D11/90
D. 68,640	11/1925	Robbins	D11/34
D. 68,933	12/1925	Robbins	D11/34
D. 114,649	5/1939	Simon	D11/89
D. 315,320	3/1991	Bulgari	D11/40

1 Claim, 3 Drawing Sheets

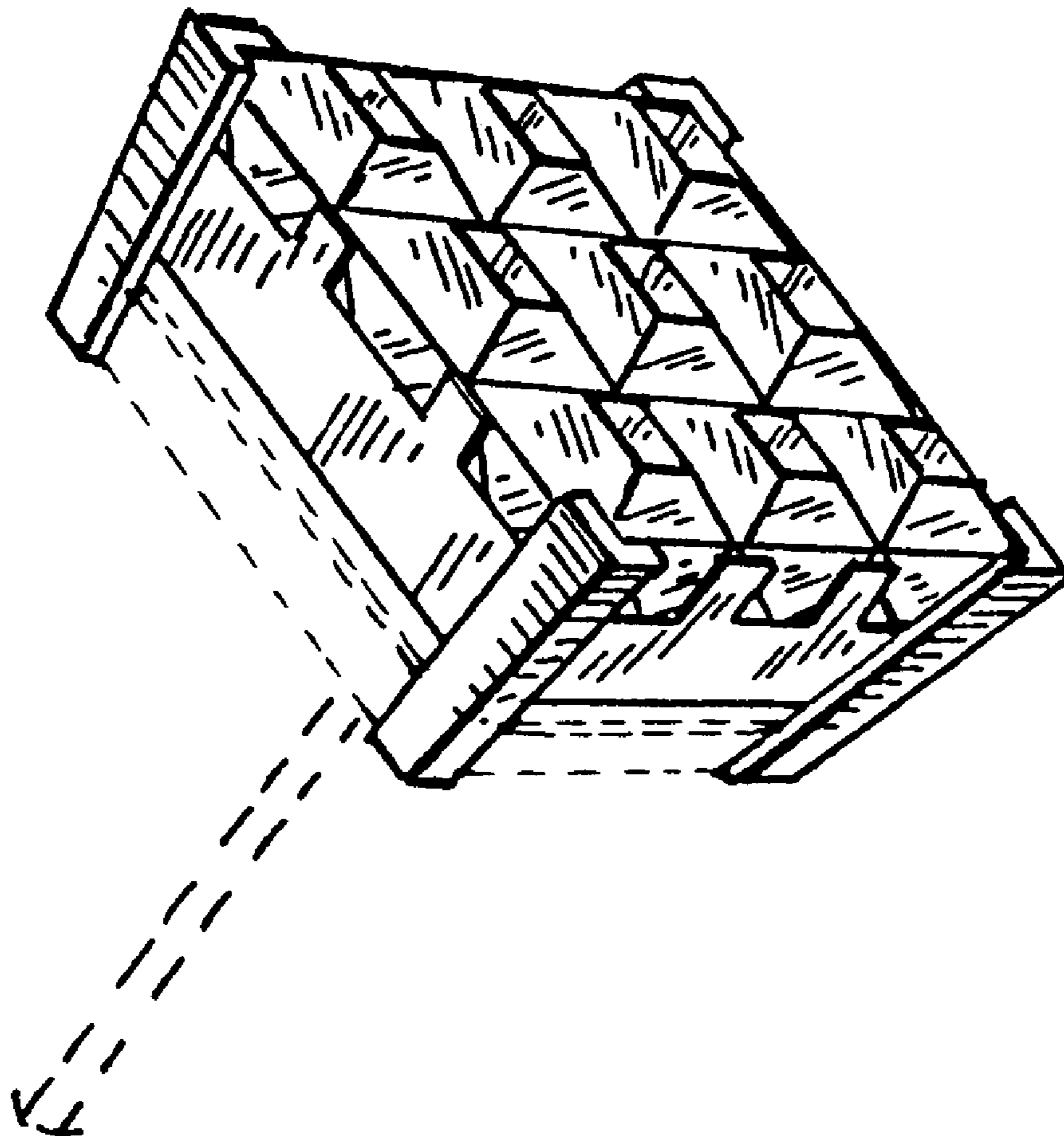


FIG. 1

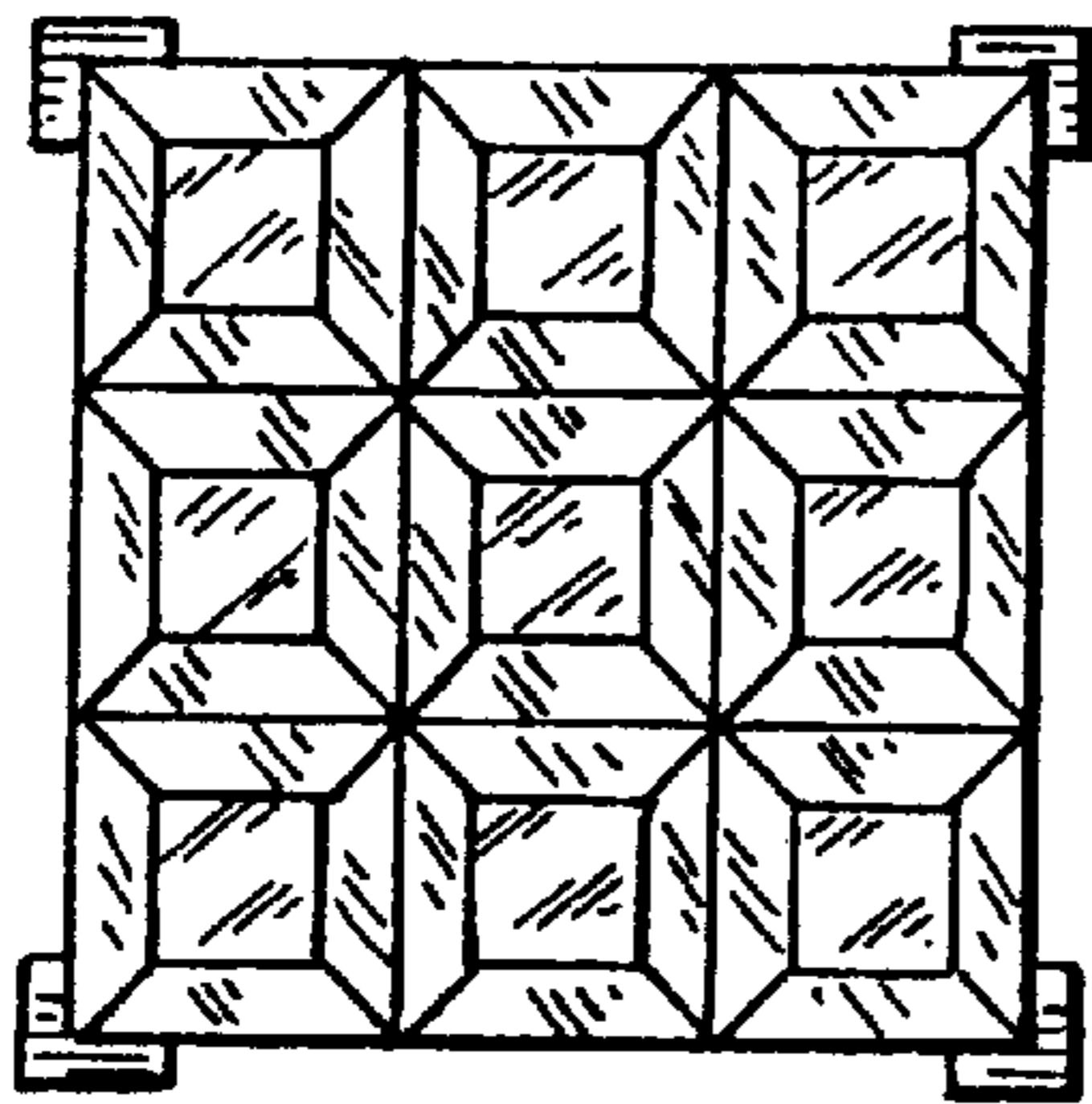


FIG. 2

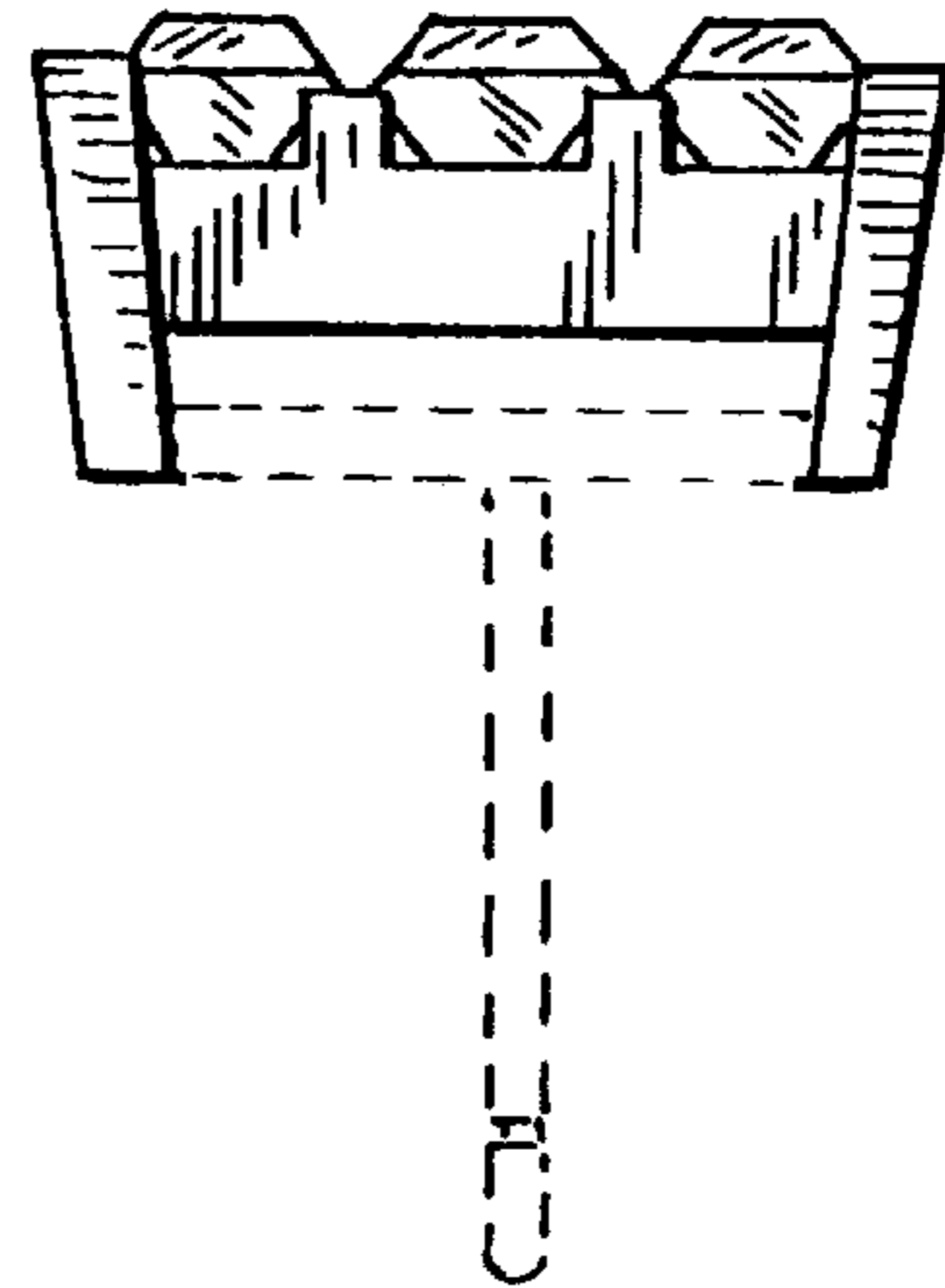


FIG. 3

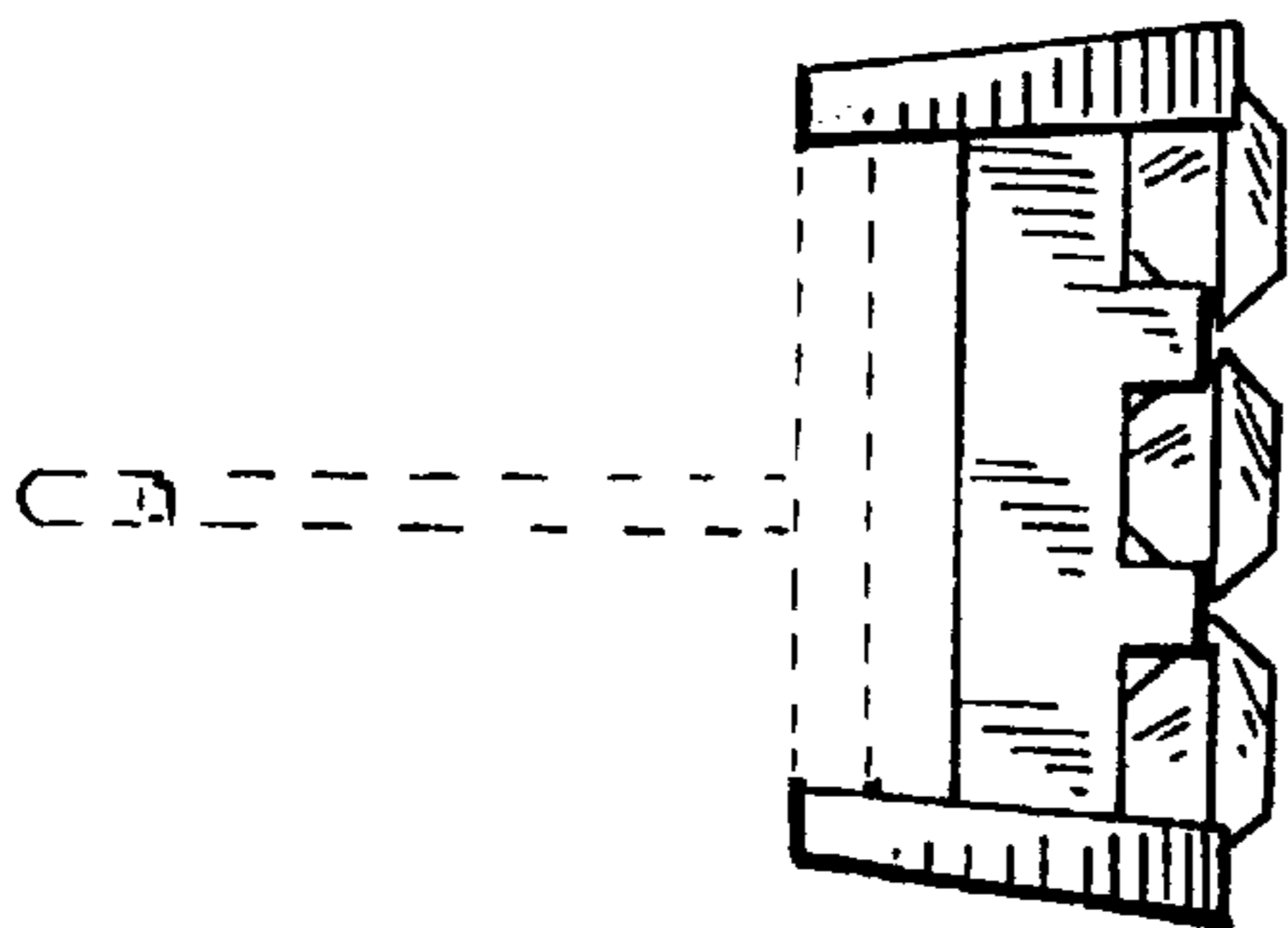


FIG. 4

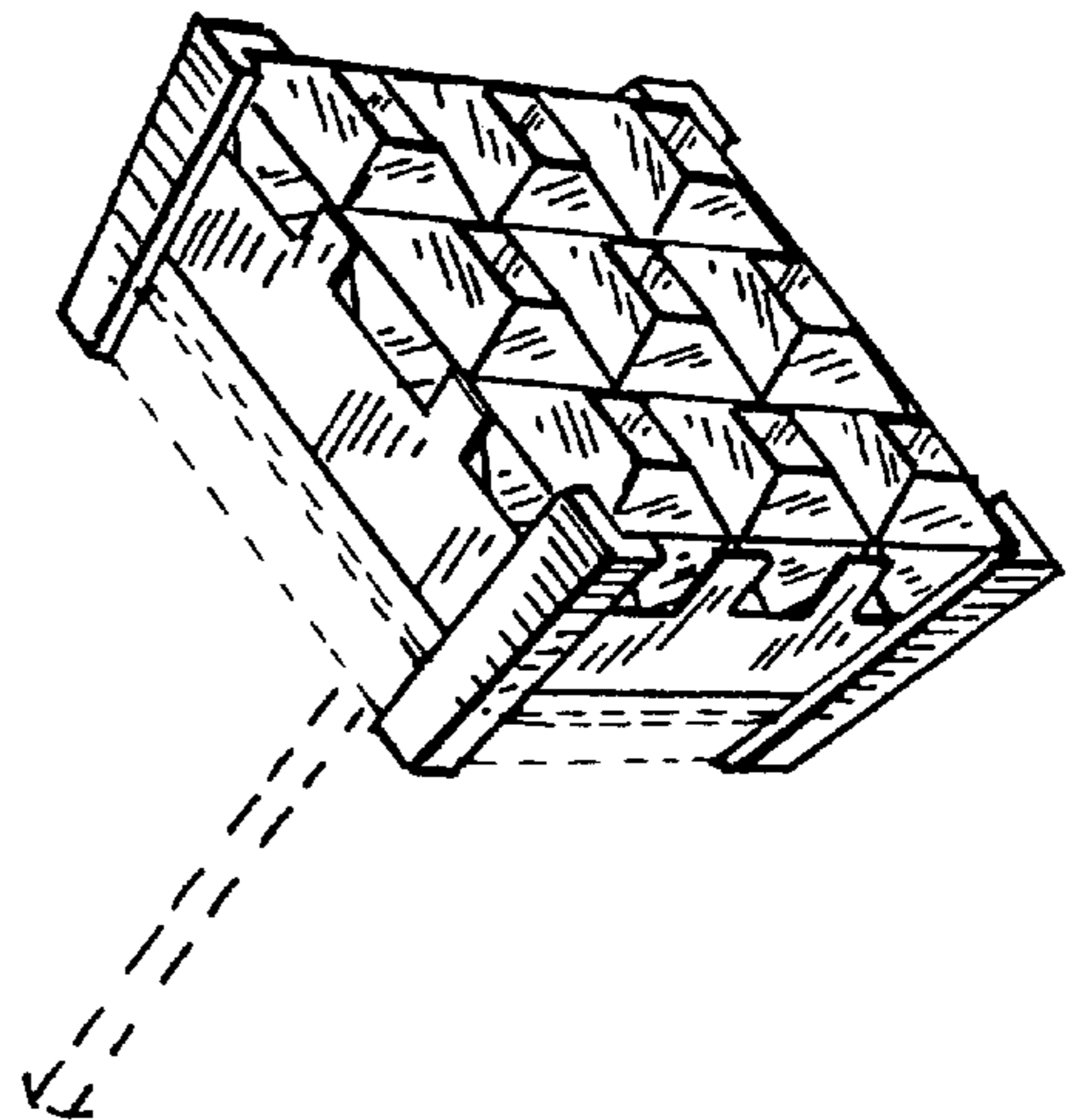


FIG. 5

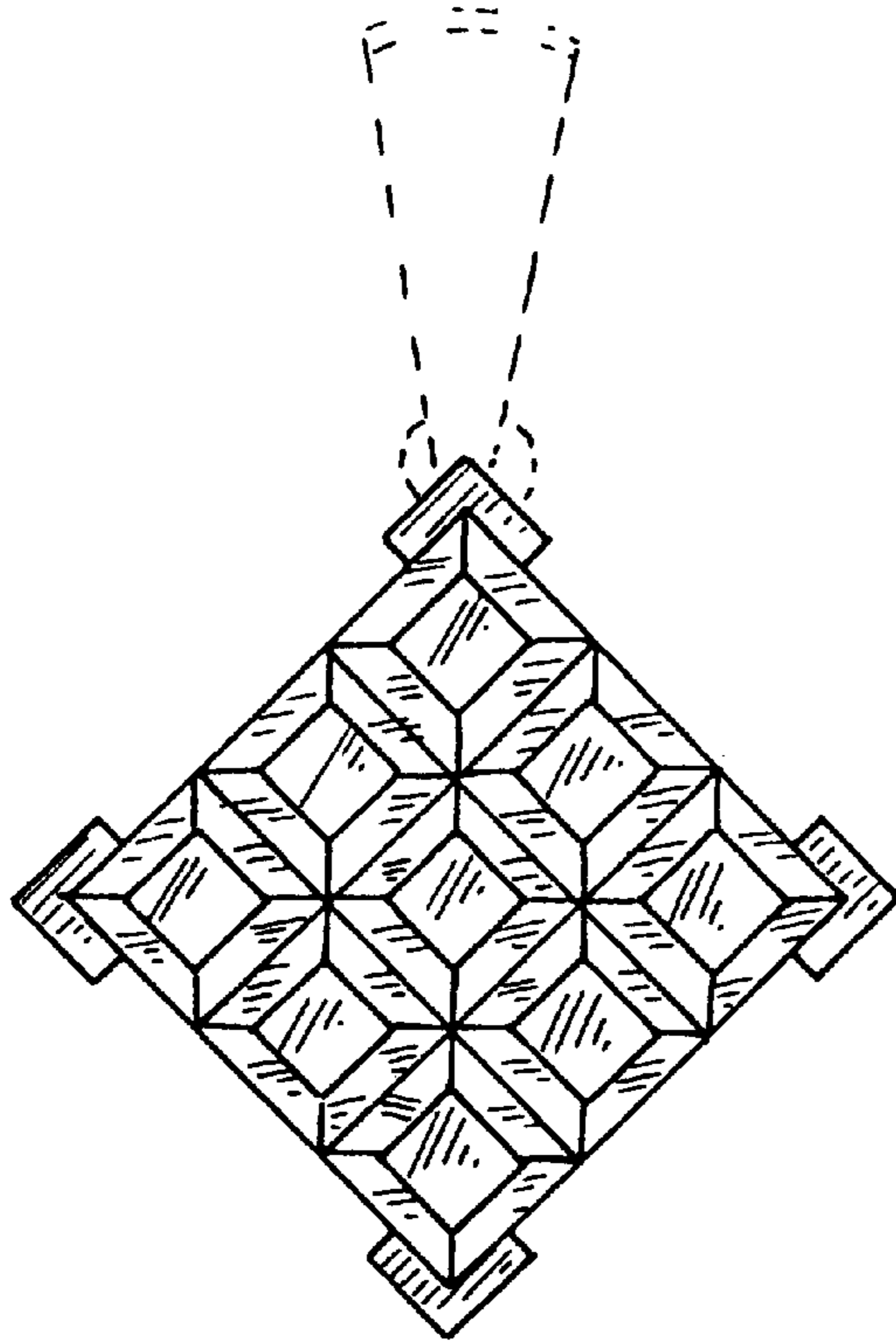


FIG. 6

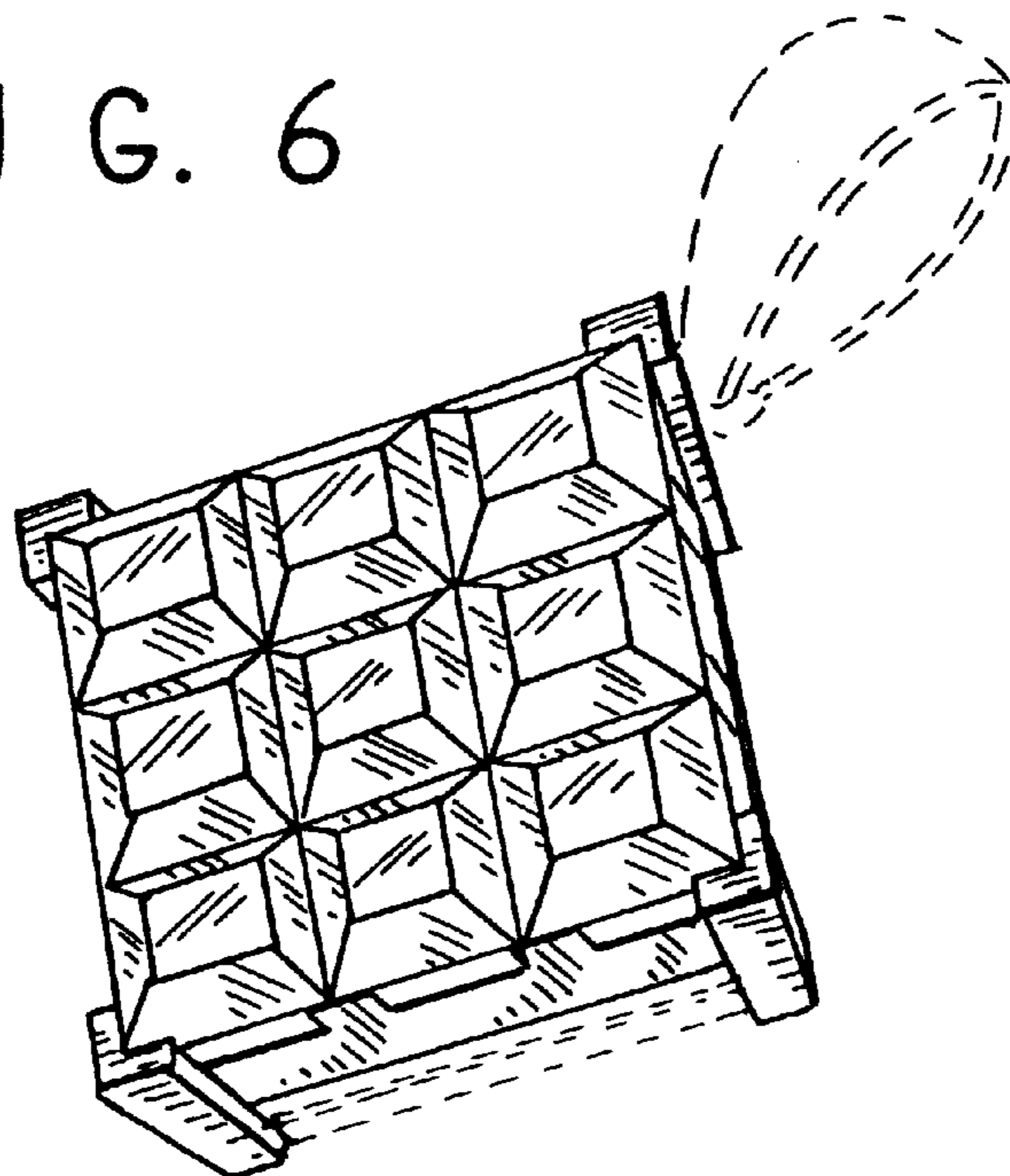


FIG. 7

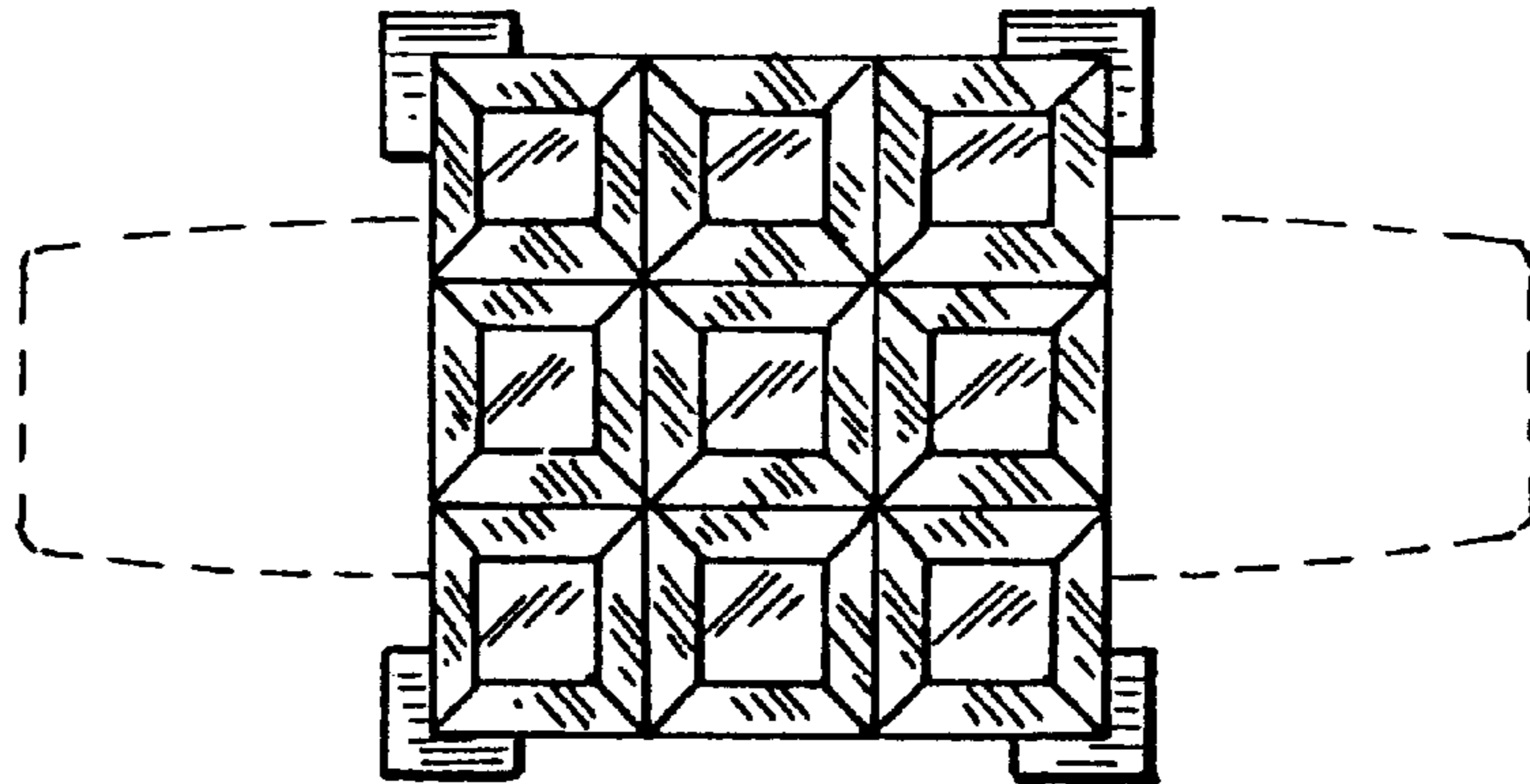


FIG. 8

