



US00D427932S

United States Patent [19]
Dumas

[11] **Patent Number: Des. 427,932**

[45] **Date of Patent: ** Jul. 11, 2000**

[54] **WATCH STRAP**

D. 383,083 9/1997 Ludvig D11/3

[75] Inventor: **Jean-Louis Dumas**, Paris, France

Primary Examiner—Ralf Seifert
Attorney, Agent, or Firm—Young & Thompson

[73] Assignee: **La Montre Hermes**, Brugg,
Switzerland

[57] **CLAIM**

[**] Term: **14 Years**

The ornamental design for a watch strap, as shown.

[21] Appl. No.: **29/108,346**

DESCRIPTION

[22] Filed: **Jul. 27, 1999**

FIG. 1 is a perspective view of a watch strap showing my new design;

[51] **LOC (7) Cl.** **11-01**

FIG. 2 is a top plan view thereof;

[52] **U.S. Cl.** **D11/3**

FIG. 3 is a view thereof from the left of FIG. 2;

[58] **Field of Search** D11/1-25; 59/78;
63/1.1, 2, 3; 224/164; D10/30-32

FIG. 4 is a view thereof from the right of FIG. 2;

FIG. 5 is a view thereof from the top of FIG. 2;

FIG. 6 is a view thereof from the bottom of FIG. 2; and,

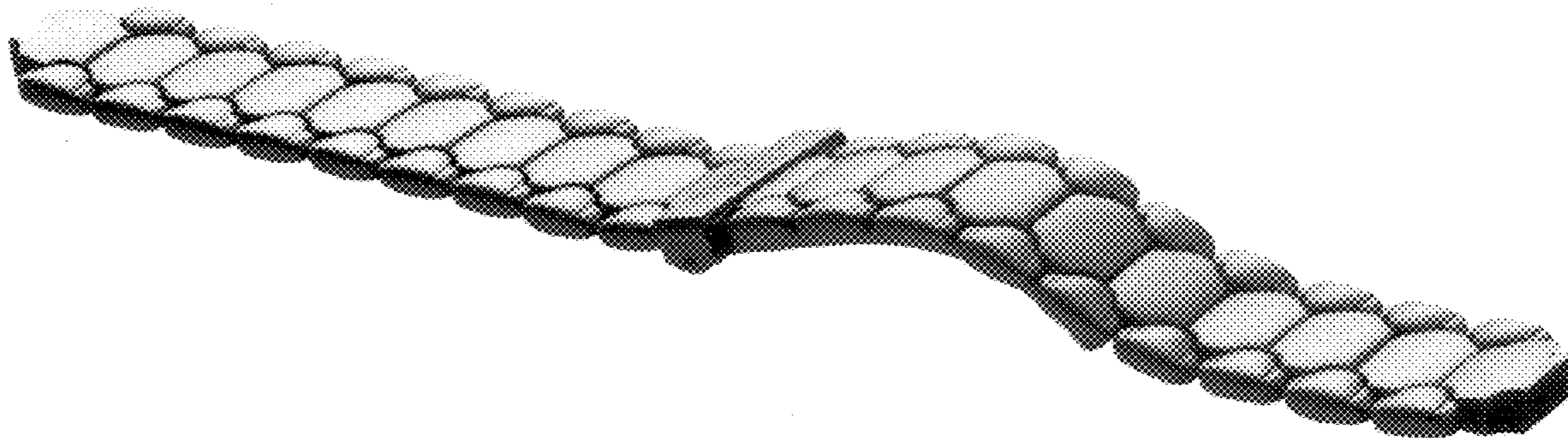
FIG. 7 is a view thereof from the side opposite that shown in FIG. 2;

[56] **References Cited**

U.S. PATENT DOCUMENTS

D. 286,516 11/1986 Chodet D11/3

1 Claim, 3 Drawing Sheets



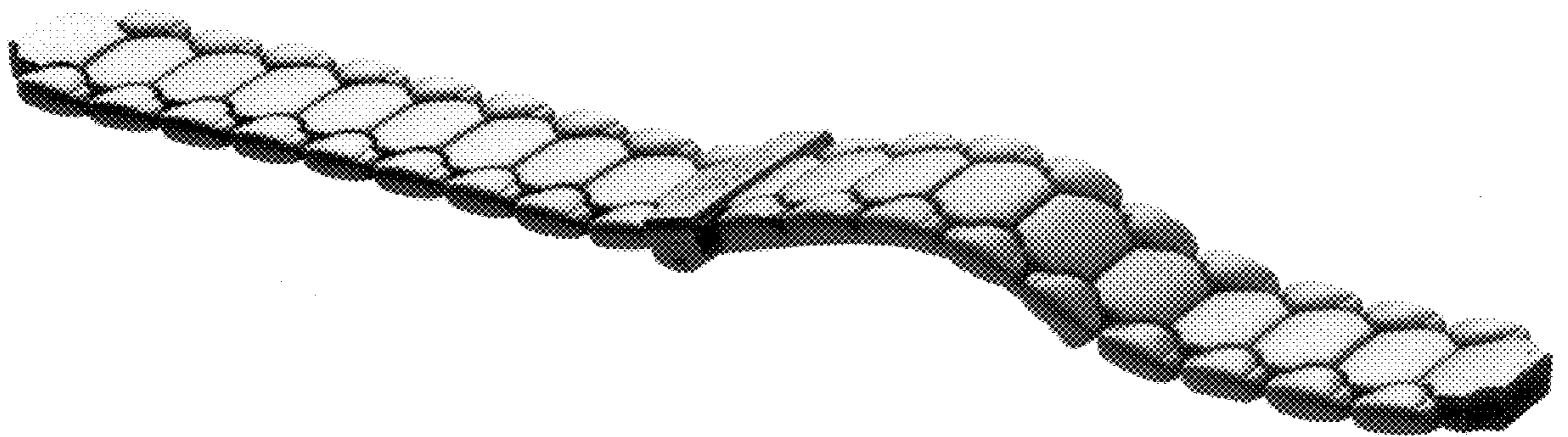


FIG. 1

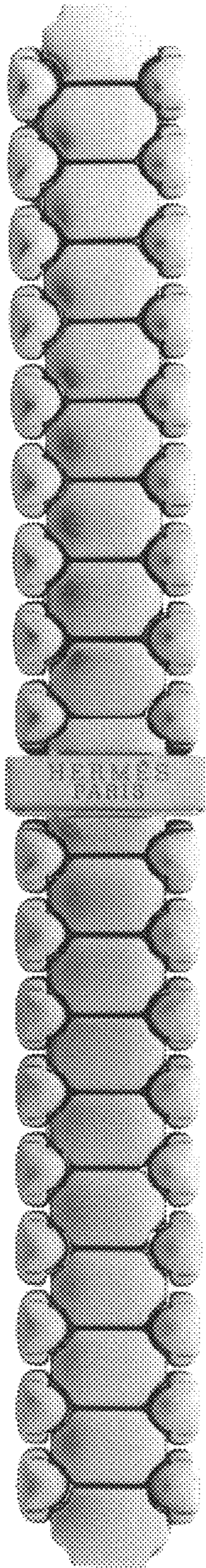


FIG. 2

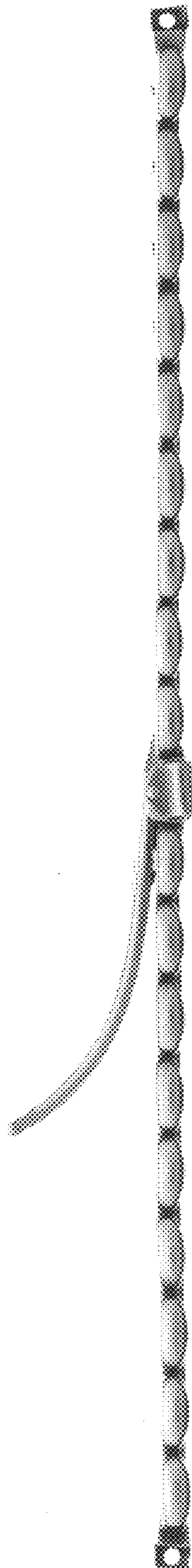


FIG. 3

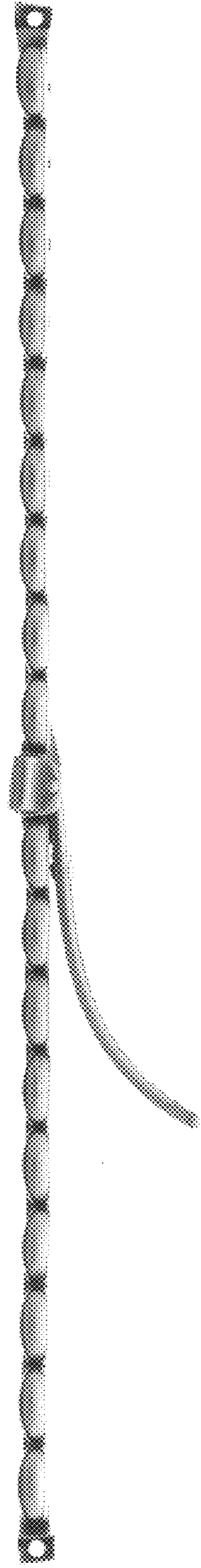


FIG. 4

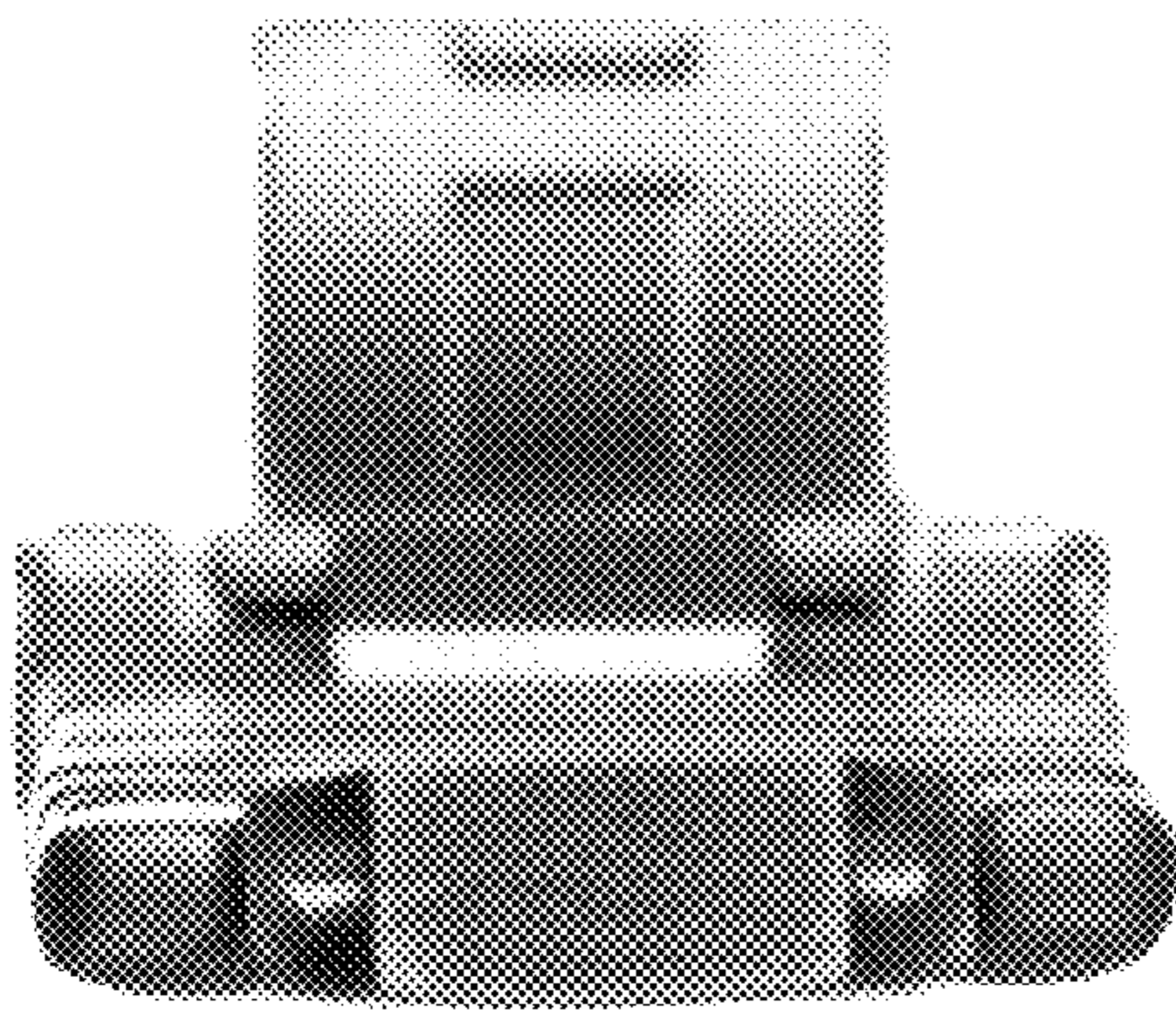


FIG. 5

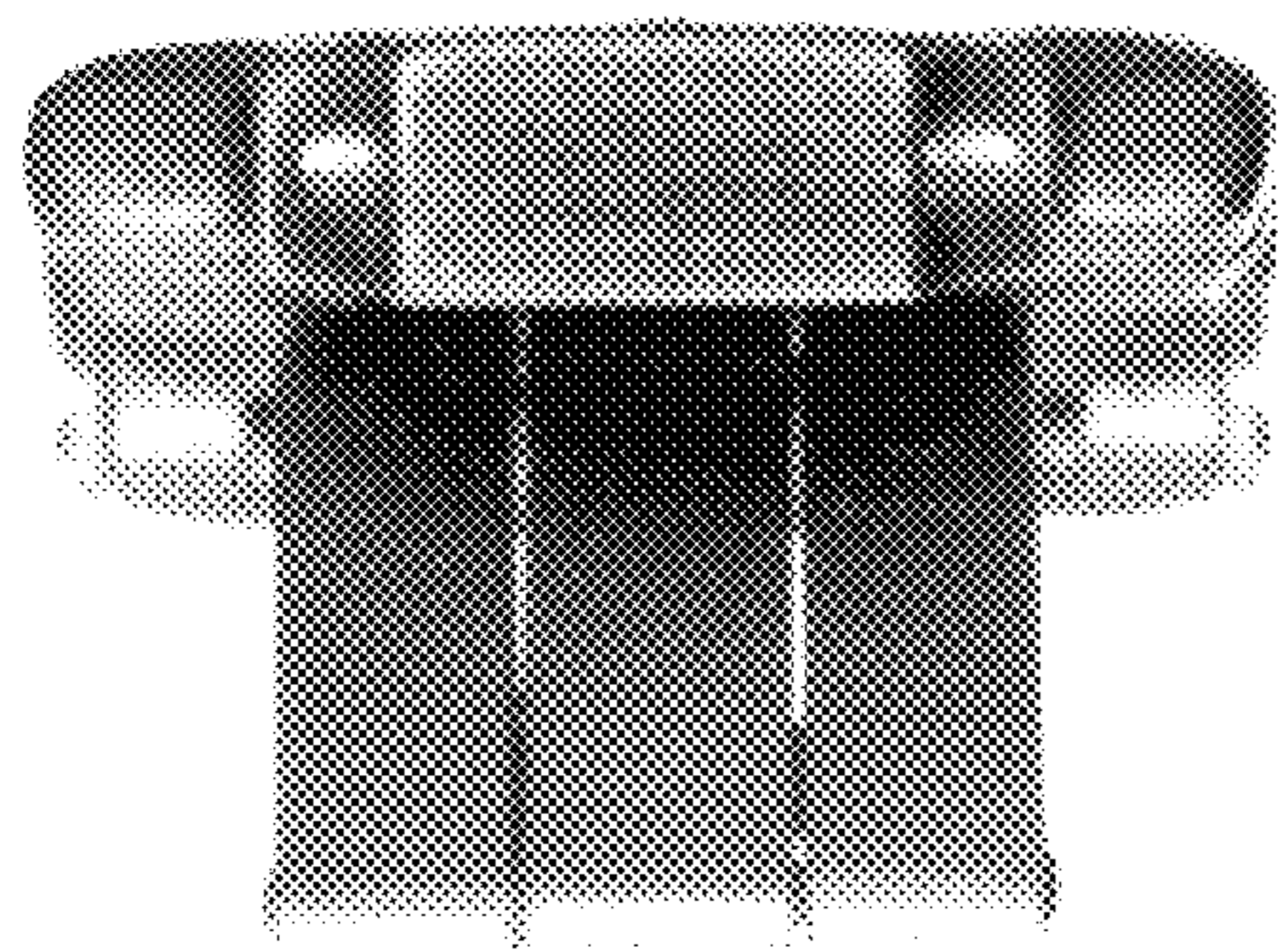


FIG. 6

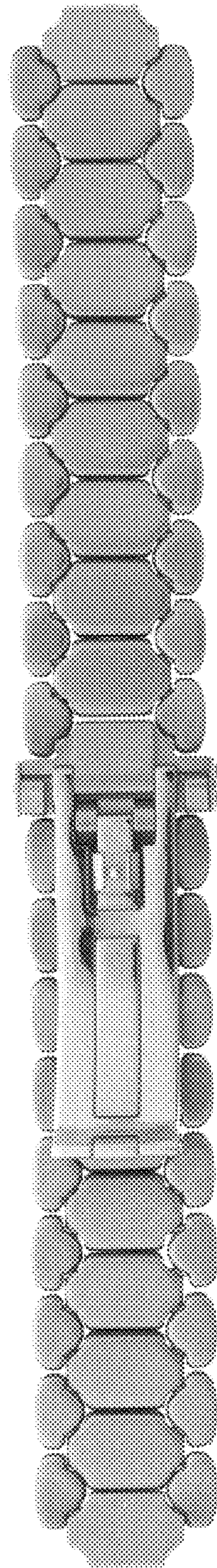


FIG. 7