



US00D427930S

United States Patent [19] Watanabe

[11] **Patent Number: Des. 427,930**
[45] **Date of Patent: ** Jul. 11, 2000**

[54] **ELECTROMAGNETIC SOUND GENERATOR**
[75] Inventor: **Keita Watanabe**, Yamanashi-ken, Japan
[73] Assignee: **Citizen Electronics Co., Ltd.**,
Fujiyashida, Japan
[**] Term: **14 Years**
[21] Appl. No.: **29/113,706**
[22] Filed: **Nov. 12, 1999**
[51] **LOC (7) Cl.** **10-05**
[52] **U.S. Cl.** **D10/116**
[58] **Field of Search** D10/104, 106,
D10/116, 121; D13/152, 156; 340/384.1,
384.3, 384.7, 388.1, 390.1, 391.1, 392.2,
392.4

D. 415,975 11/1999 Imahori D10/116
Primary Examiner—Marcus A. Jackson
Attorney, Agent, or Firm—Dennison, Scheiner, Schultz &
Wakeman

[57] **CLAIM**
The ornamental design for an electromagnetic sound generator, as shown and described.

DESCRIPTION

FIG. 1 is a top view of an electromagnetic sound generator embodying my new design;
FIG. 2 is a front view thereof;
FIG. 3 is a bottom view thereof;
FIG. 4 is a rear view thereof;
FIG. 5 is a right side view thereof;
FIG. 6 is a left side view thereof;
FIG. 7 is a perspective view as viewed from the upper side thereof; and,
FIG. 8 is a perspective view as viewed from the rear side thereof.

[56] **References Cited**
U.S. PATENT DOCUMENTS
D. 411,127 6/1999 Kuwabara D10/116
D. 413,278 8/1999 Kuwabara D10/116

1 Claim, 5 Drawing Sheets

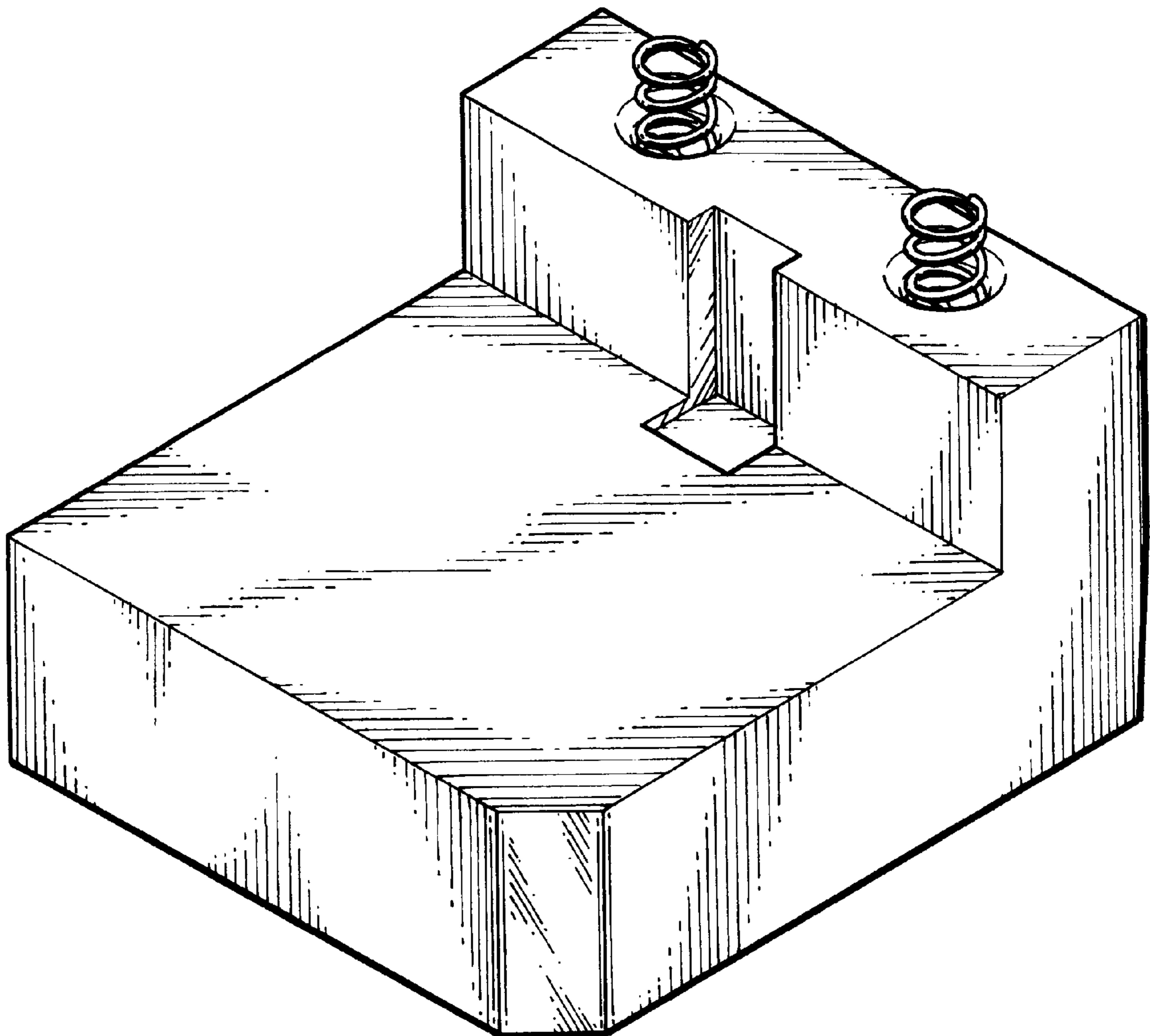


FIG. 1

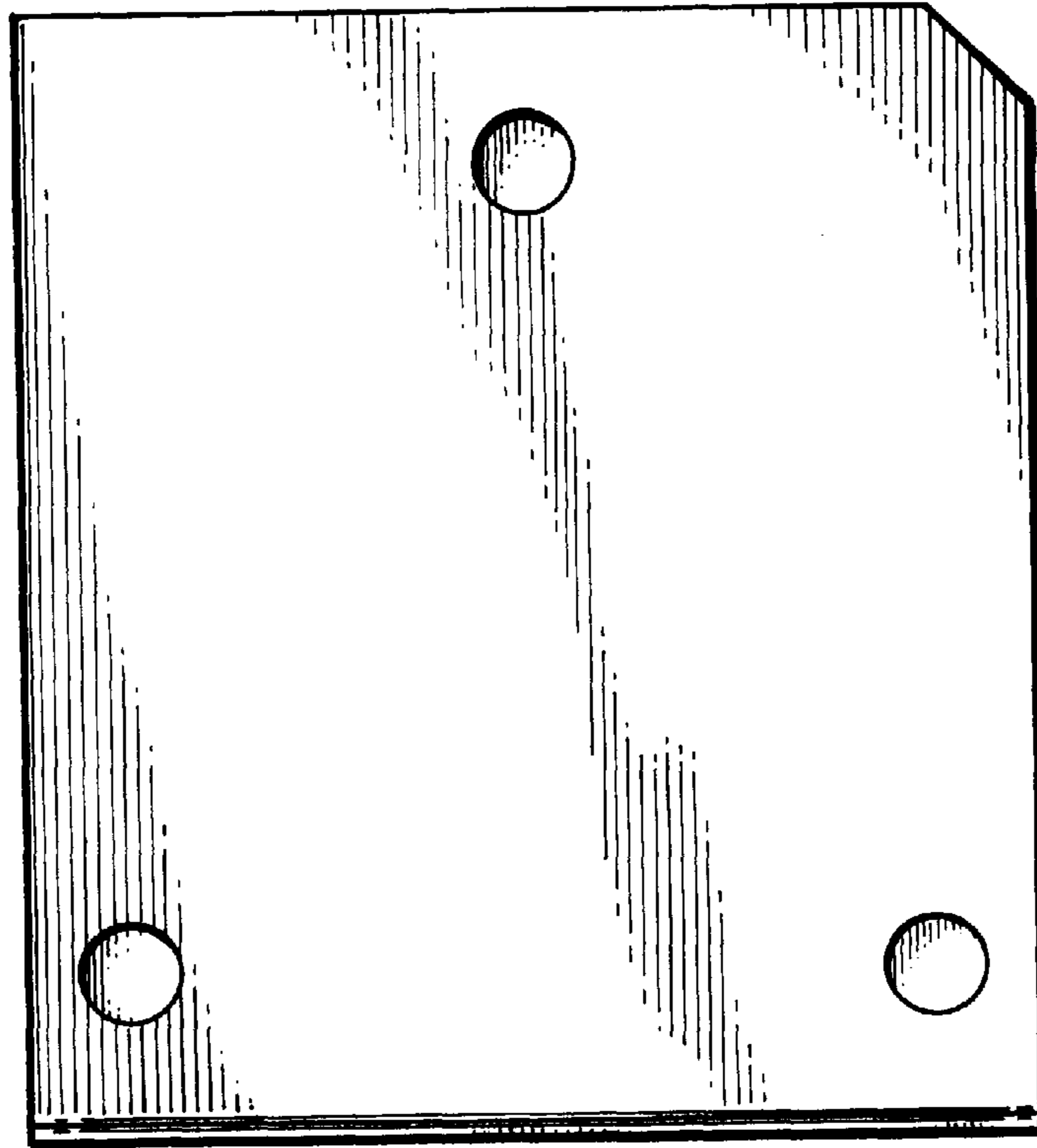


FIG. 2

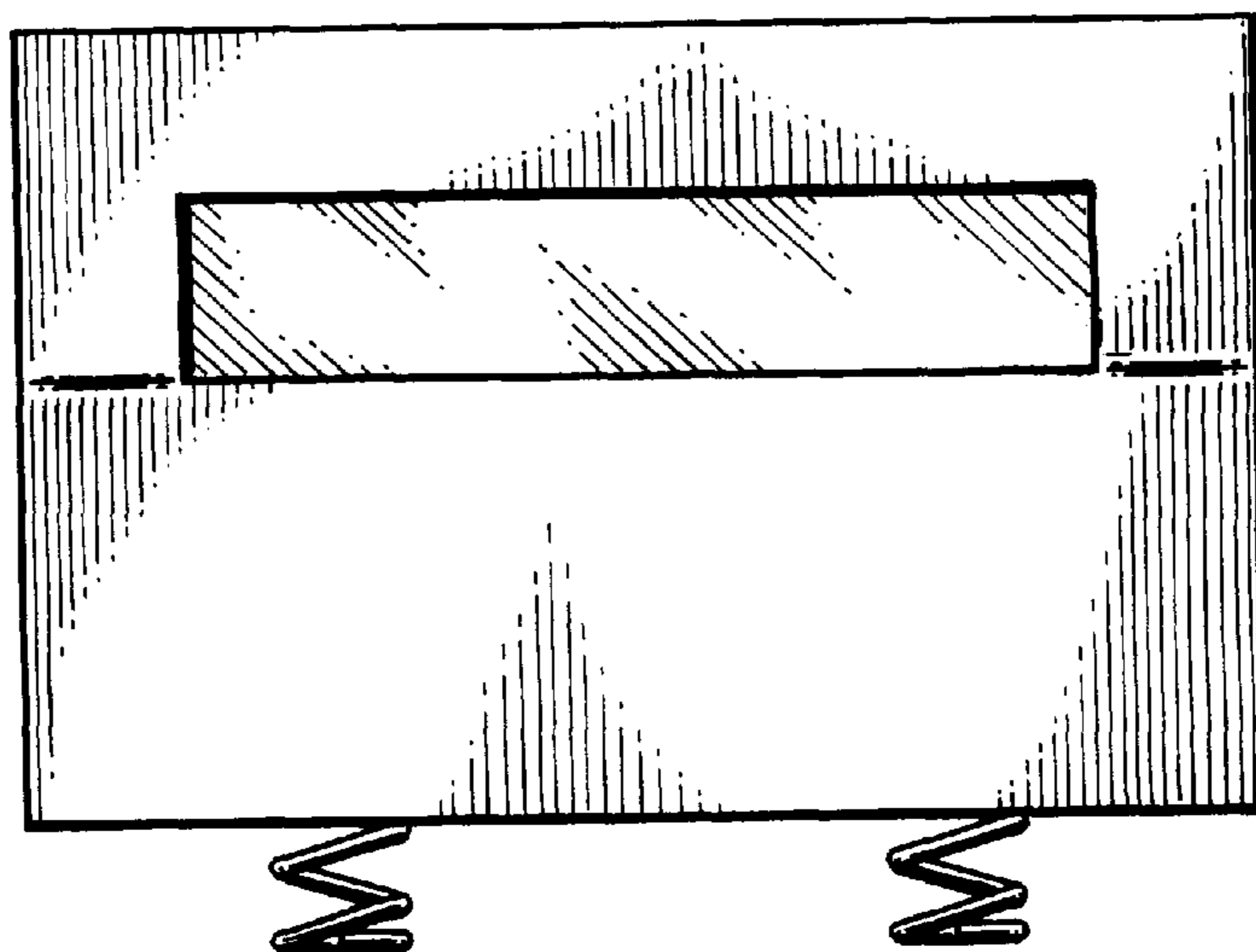


FIG. 3

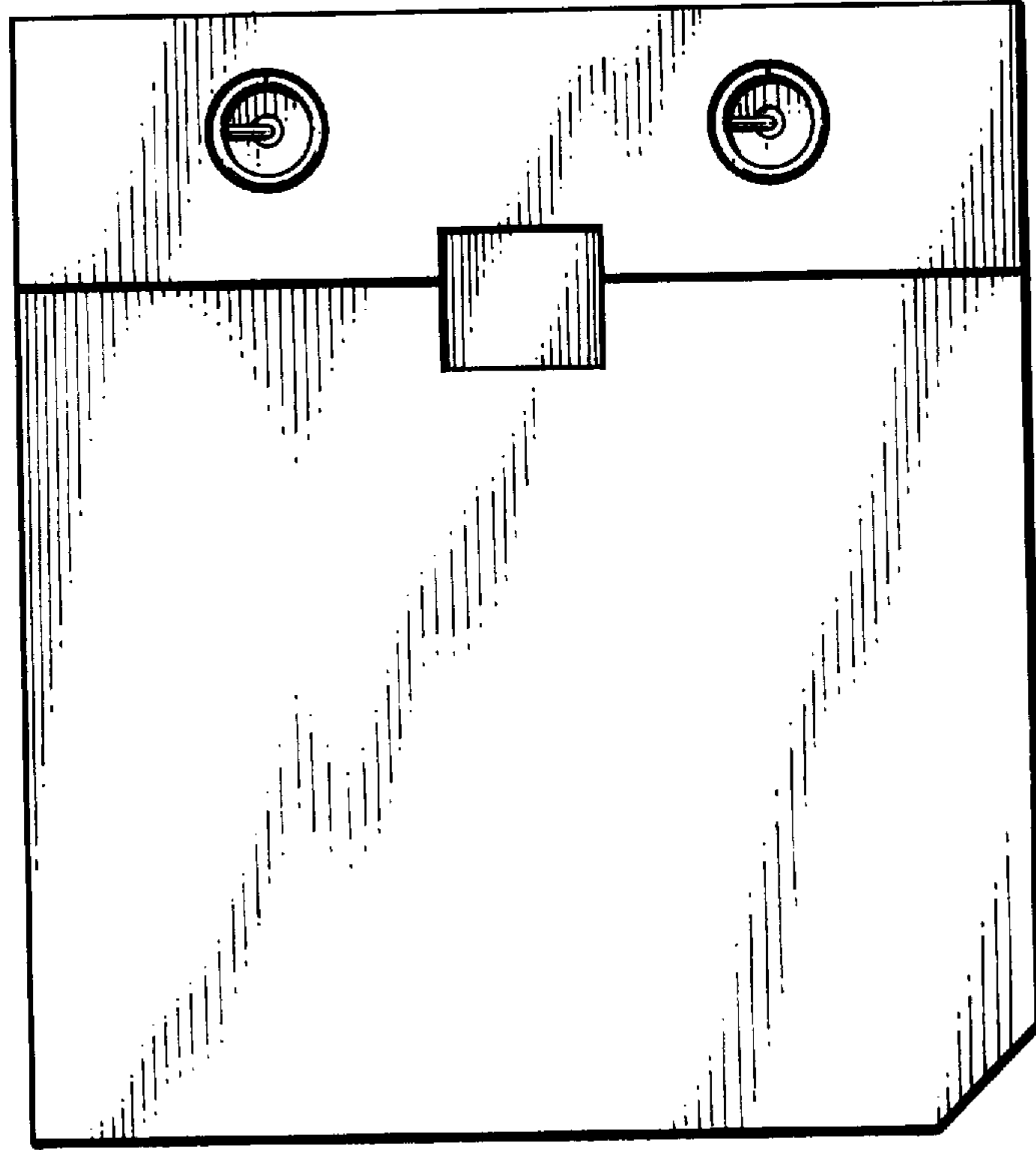


FIG. 4

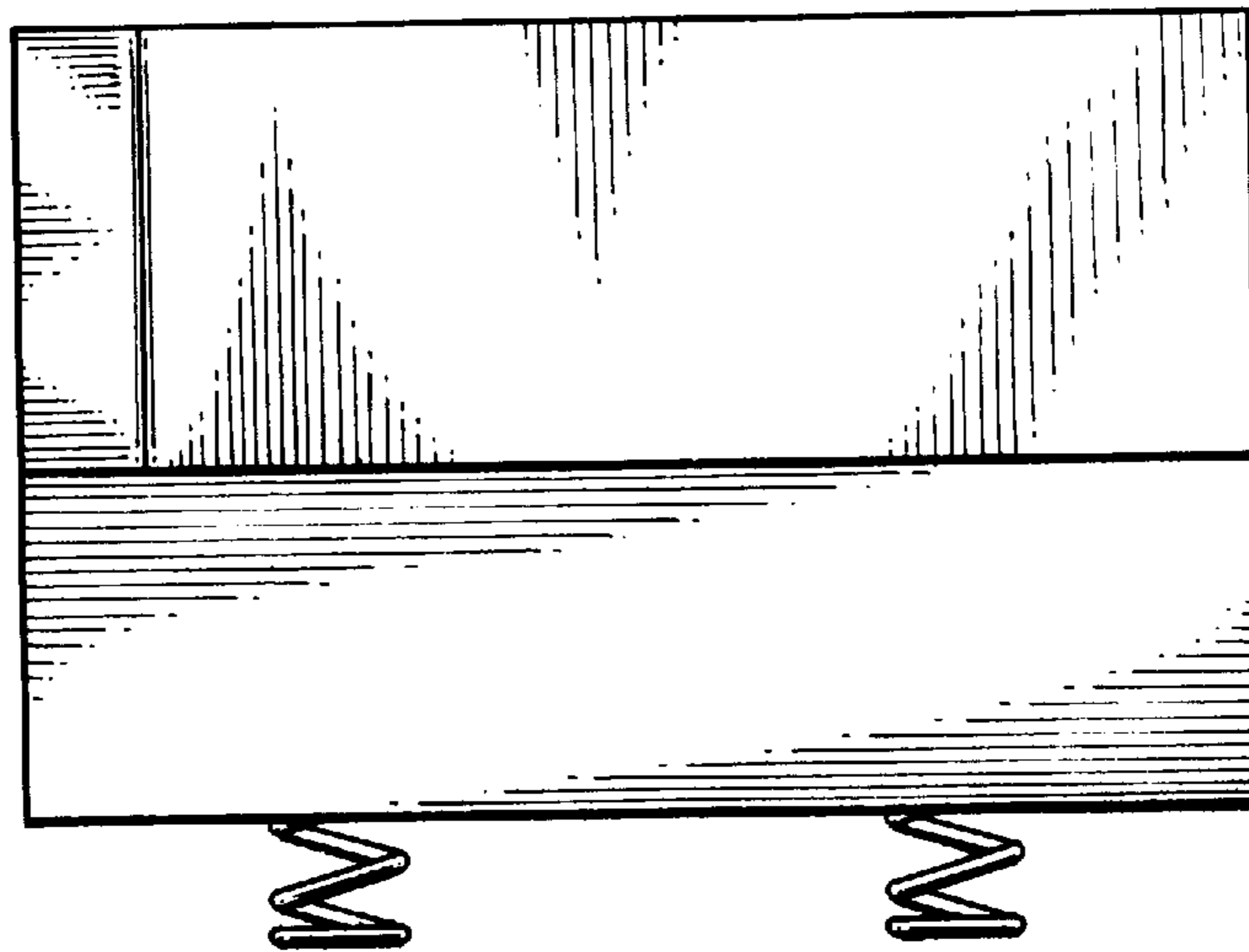


FIG. 5

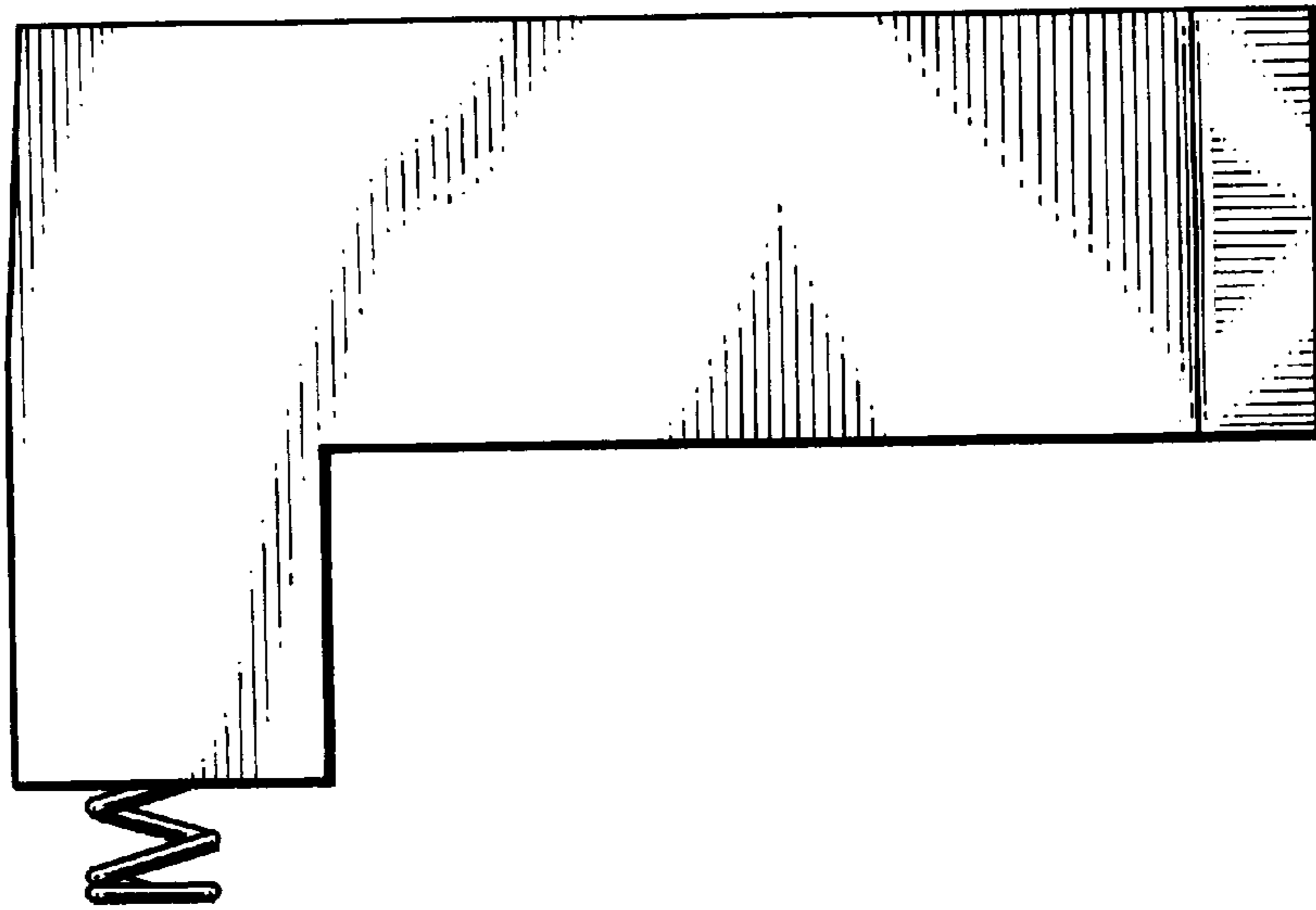


FIG. 6

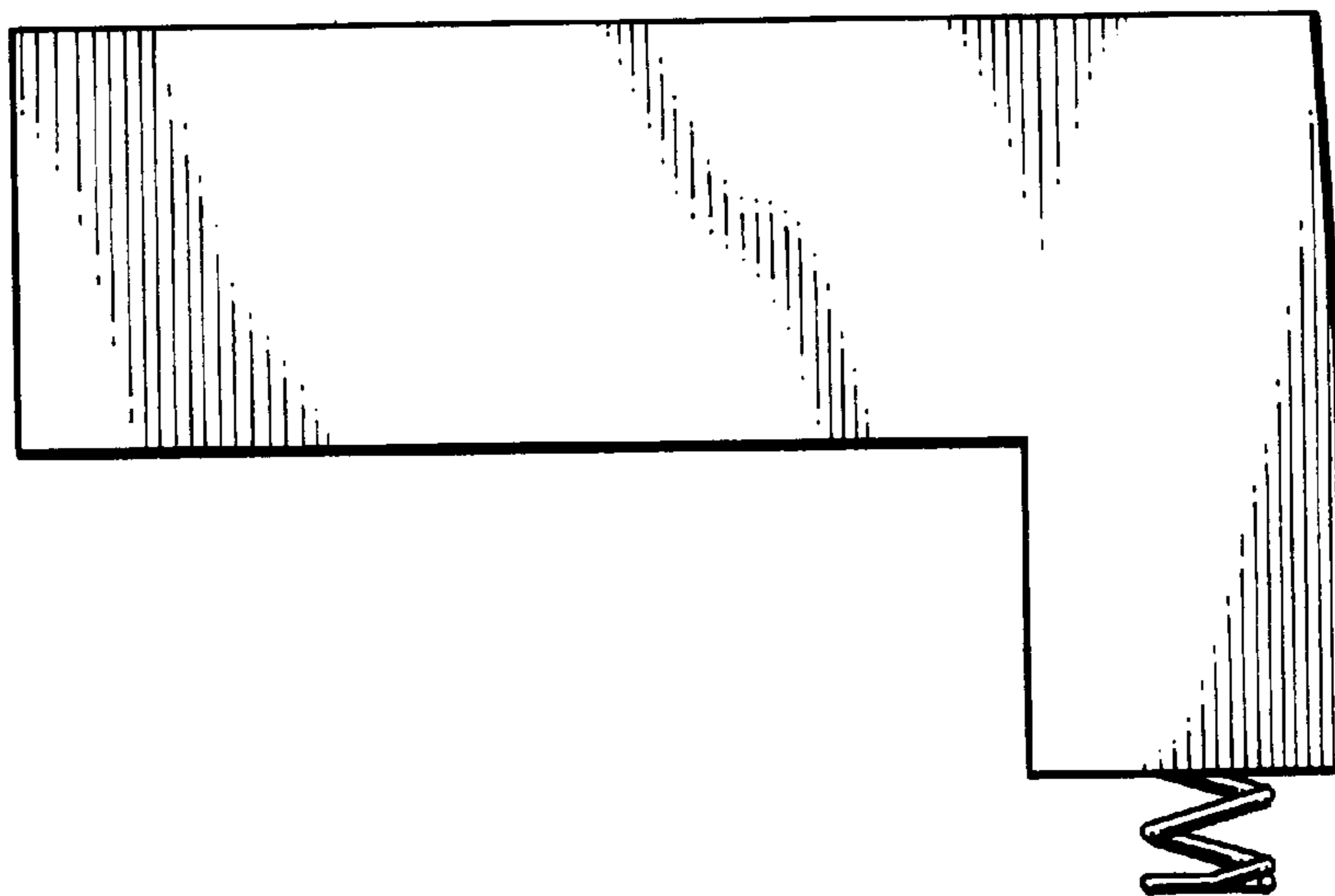


FIG. 7

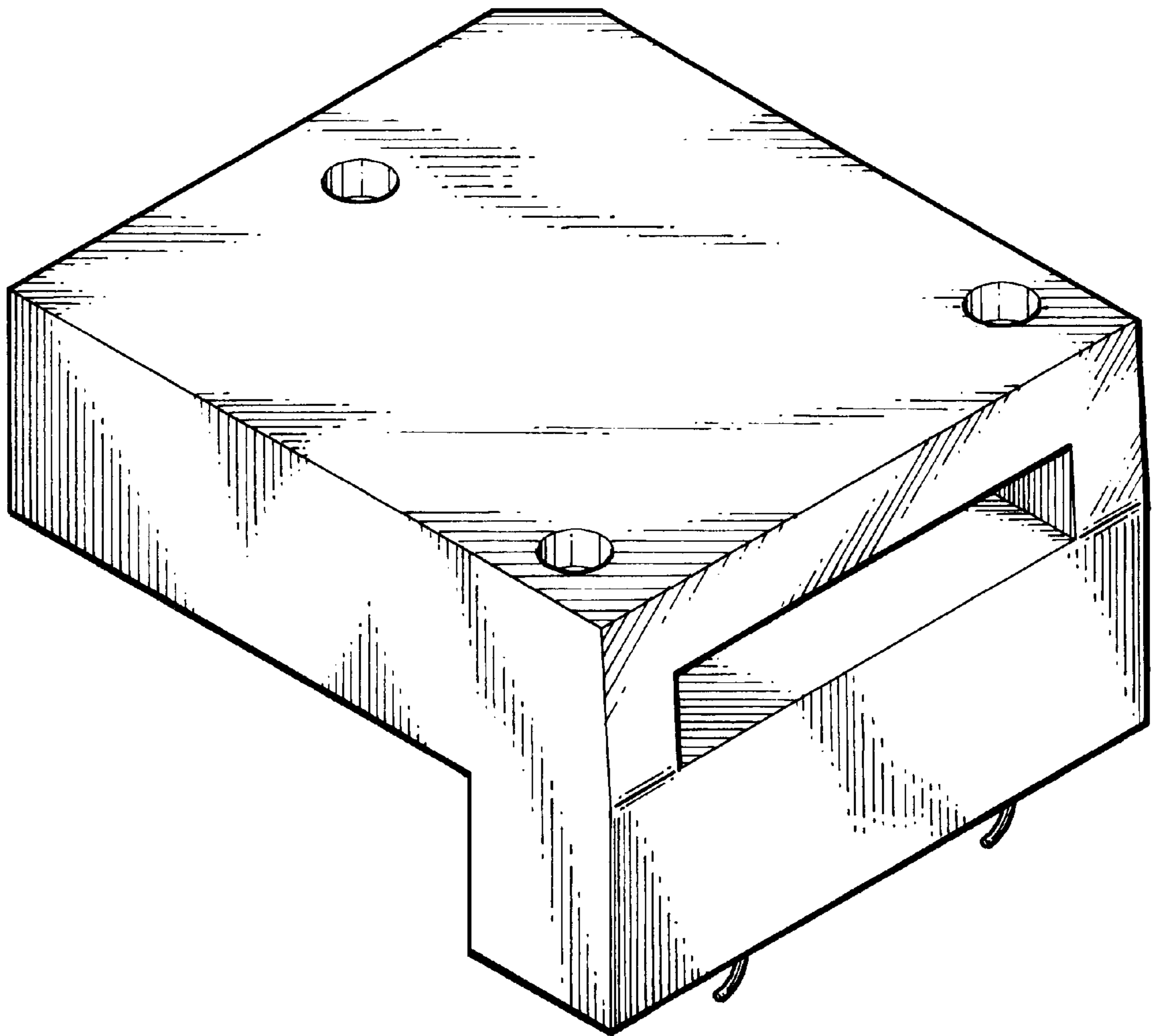


FIG. 8

