



US00D427928S

**United States Patent** [19]  
**Hiller et al.**

[11] **Patent Number: Des. 427,928**  
[45] **Date of Patent: \*\* Jul. 11, 2000**

[54] **MOTION SENSOR HEAD**

D. 359,923 7/1995 Sandell ..... D10/106  
D. 360,157 7/1995 Sandell et al. .... D10/106

[75] Inventors: **Raymond J. Hiller**, Chapel Hill;  
**Michael Drake**, Stoney Creek, both of  
N.C.

*Primary Examiner*—Marcus A. Jackson  
*Attorney, Agent, or Firm*—Niro, Scavone, Haller & Niro

[73] Assignee: **Regent Lighting Corporation**,  
Burlington, N.C.

[57] **CLAIM**

[\*\*] Term: **14 Years**

We claim the ornamental design of a motion sensor head, as shown and described.

[21] Appl. No.: **29/110,240**

**DESCRIPTION**

[22] Filed: **Sep. 1, 1999**

FIG. 1 is a perspective view taken from the left side of the new design;  
FIG. 2 is a top plan view thereof;  
FIG. 3 is a side elevational view thereof, with the opposite side being a mirror image;  
FIG. 4 is a front plan view thereof;  
FIG. 5 is a rear view thereof; and,  
FIG. 6 is a bottom plan view thereof.

[51] **LOC (7) Cl.** ..... **10-05**

[52] **U.S. Cl.** ..... **D10/104**

[58] **Field of Search** ..... D10/104, 106,  
D10/116, 121; 340/521, 540, 555, 556,  
557, 565, 571, 572, 573, 600, 629

[56] **References Cited**

**U.S. PATENT DOCUMENTS**

D. 341,788 11/1993 Caryl et al. .... D10/106

**1 Claim, 1 Drawing Sheet**

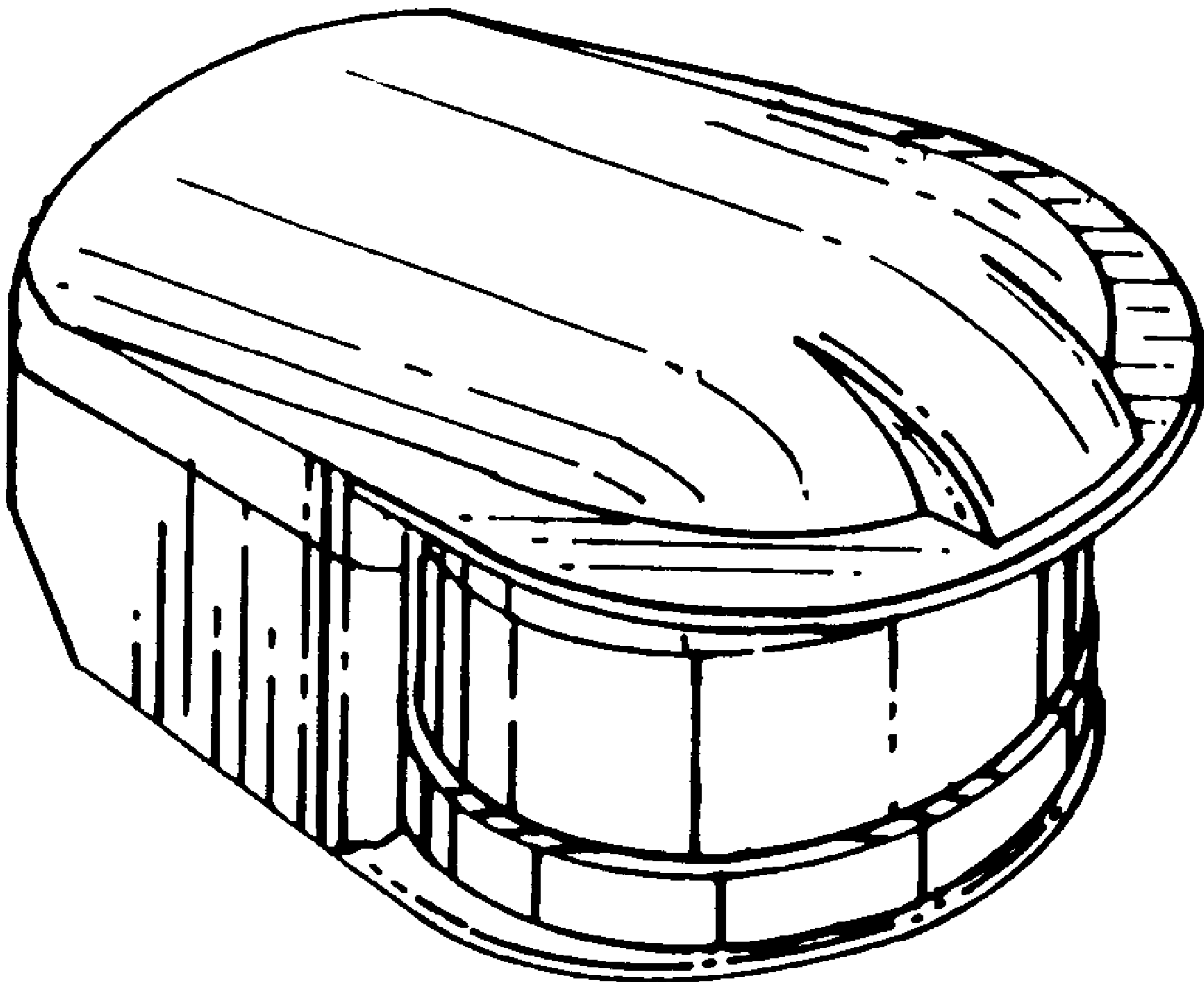


FIG. 1

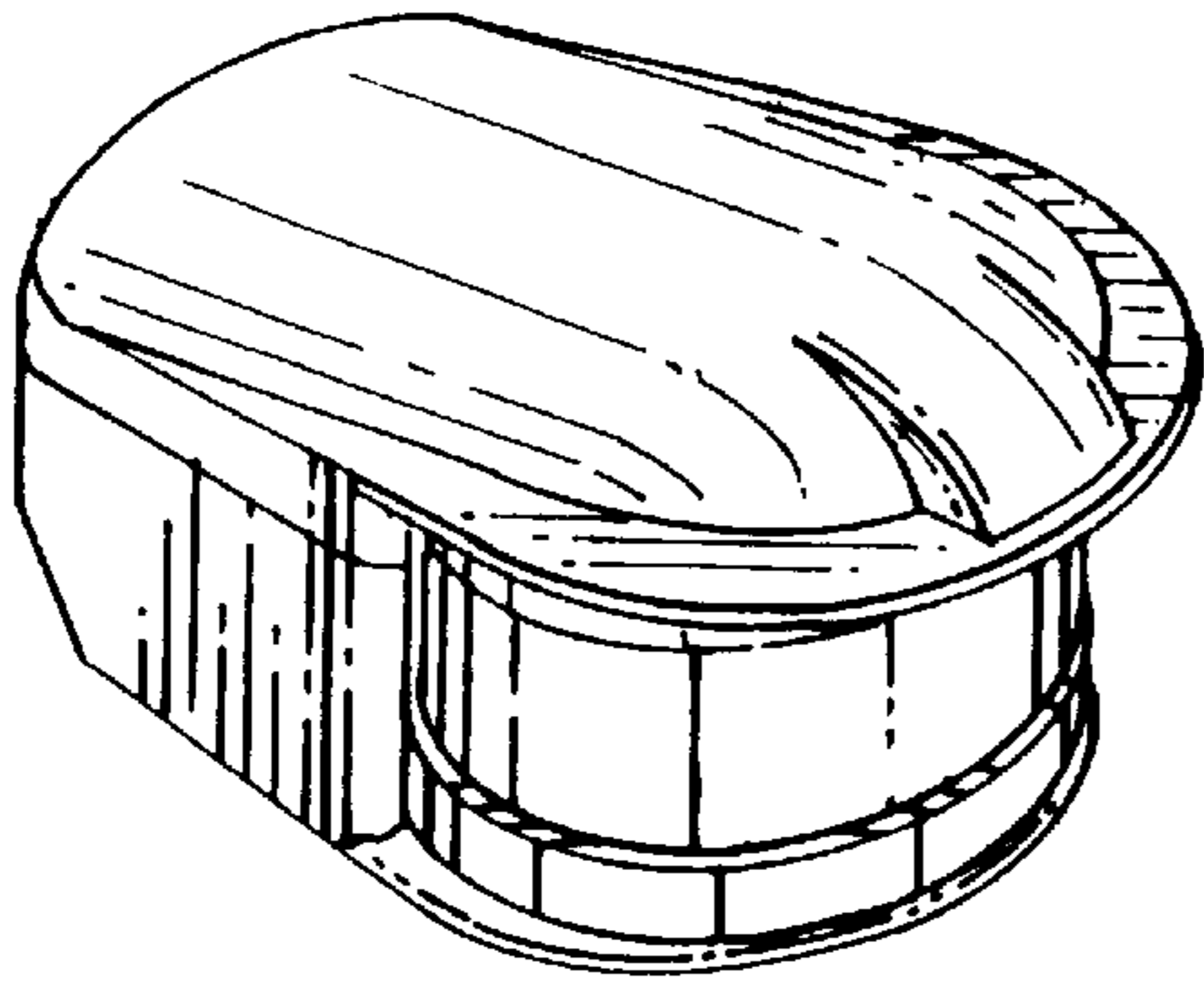


FIG. 2

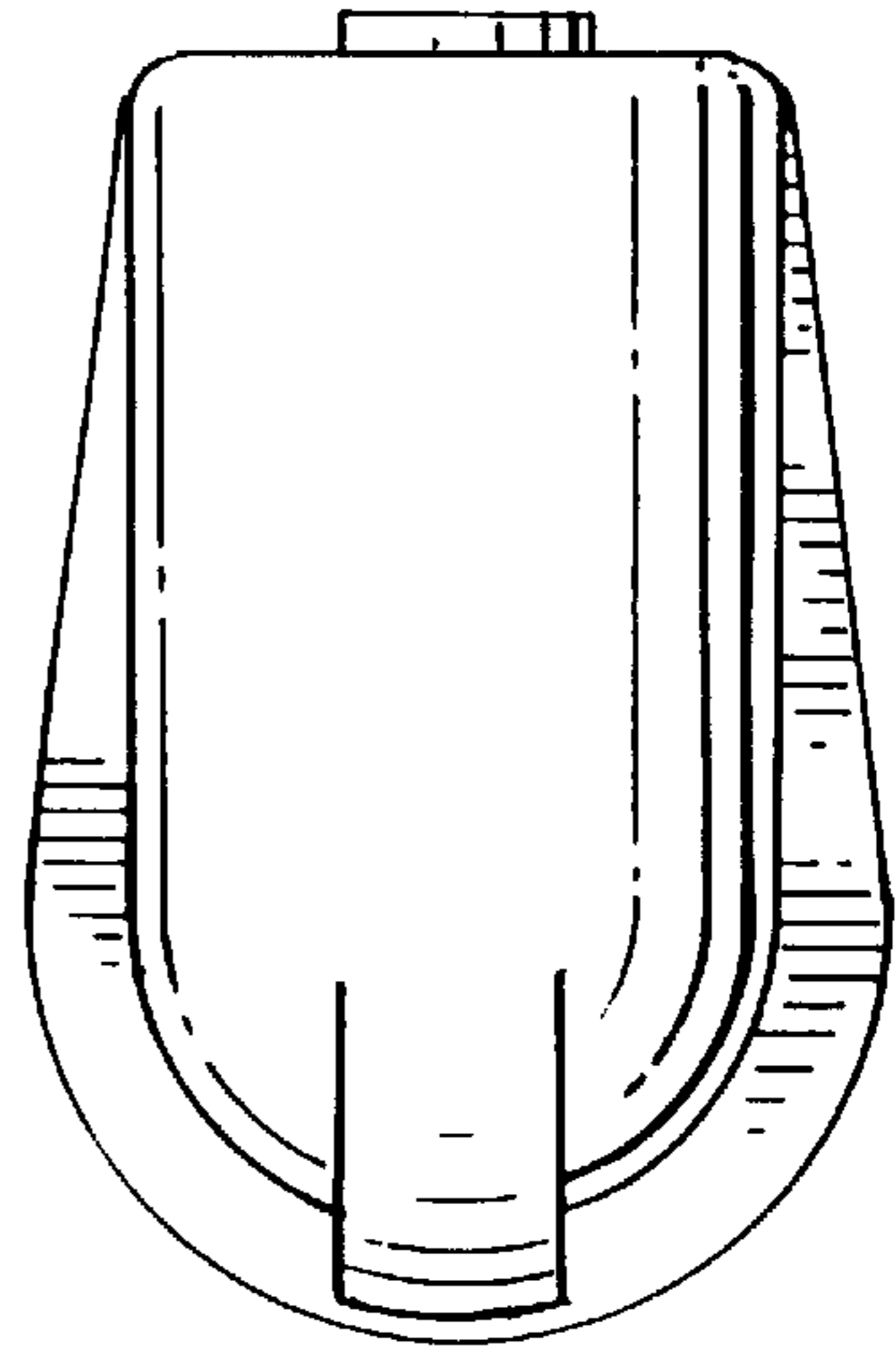


FIG. 4

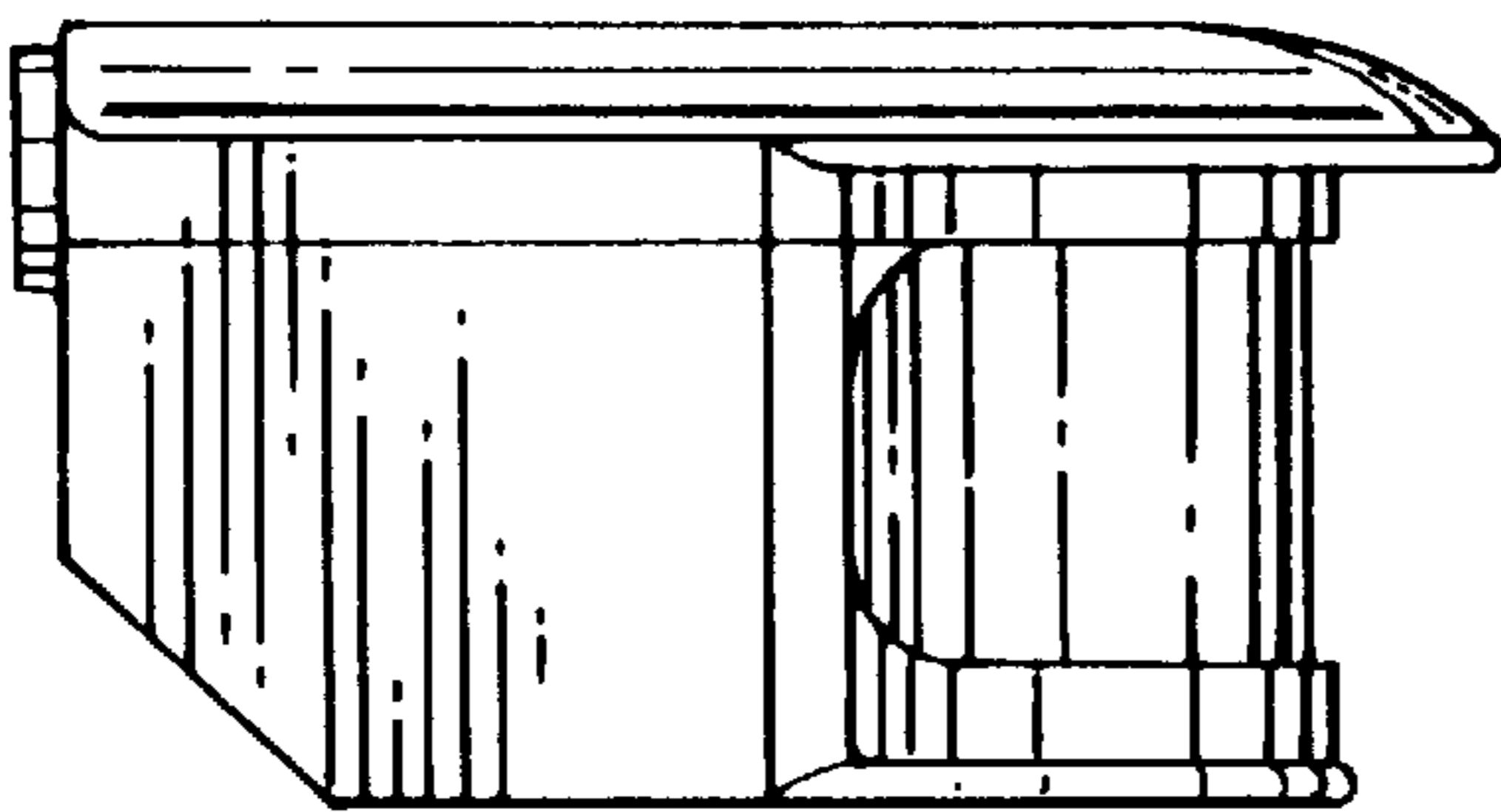


FIG. 3

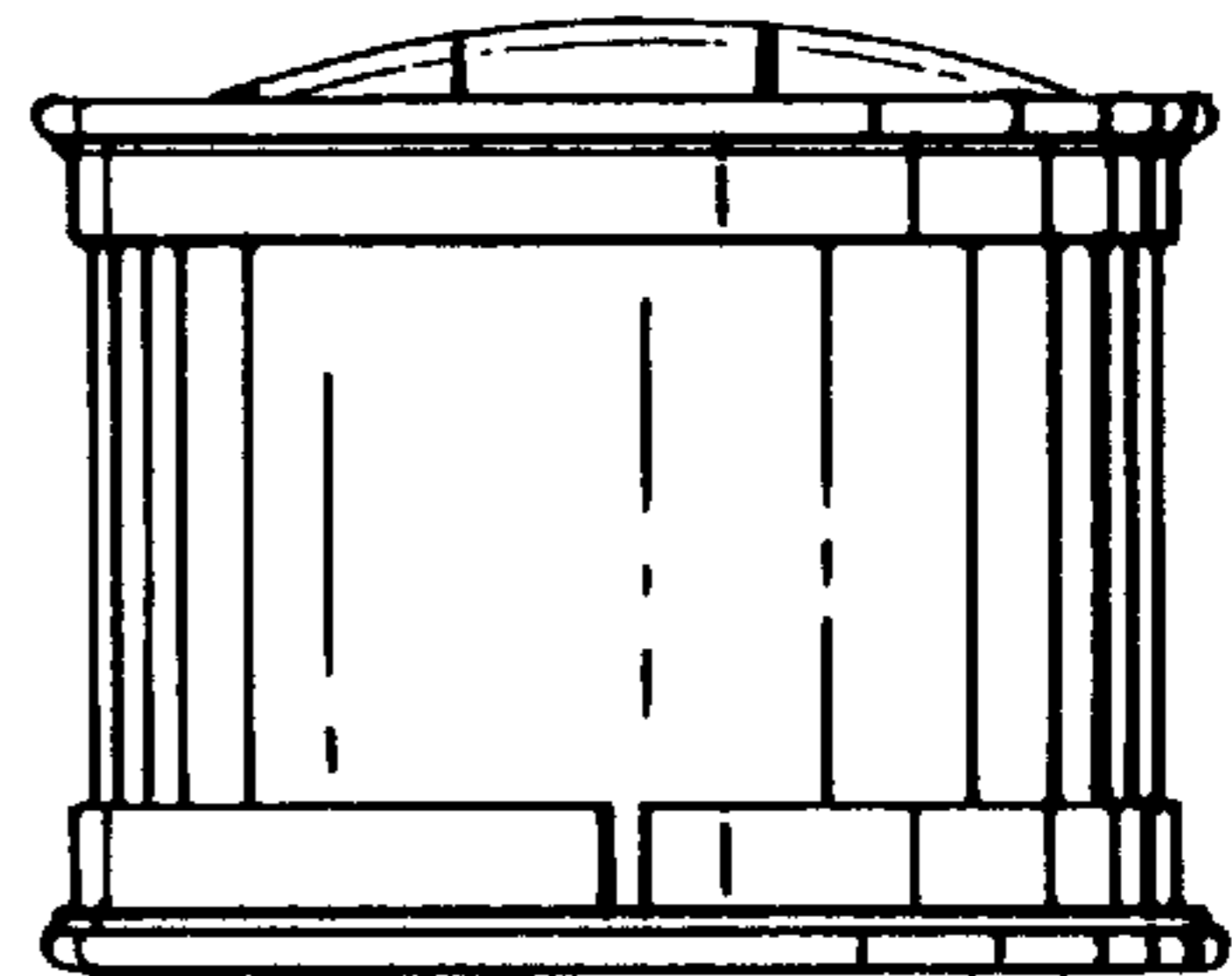


FIG. 5

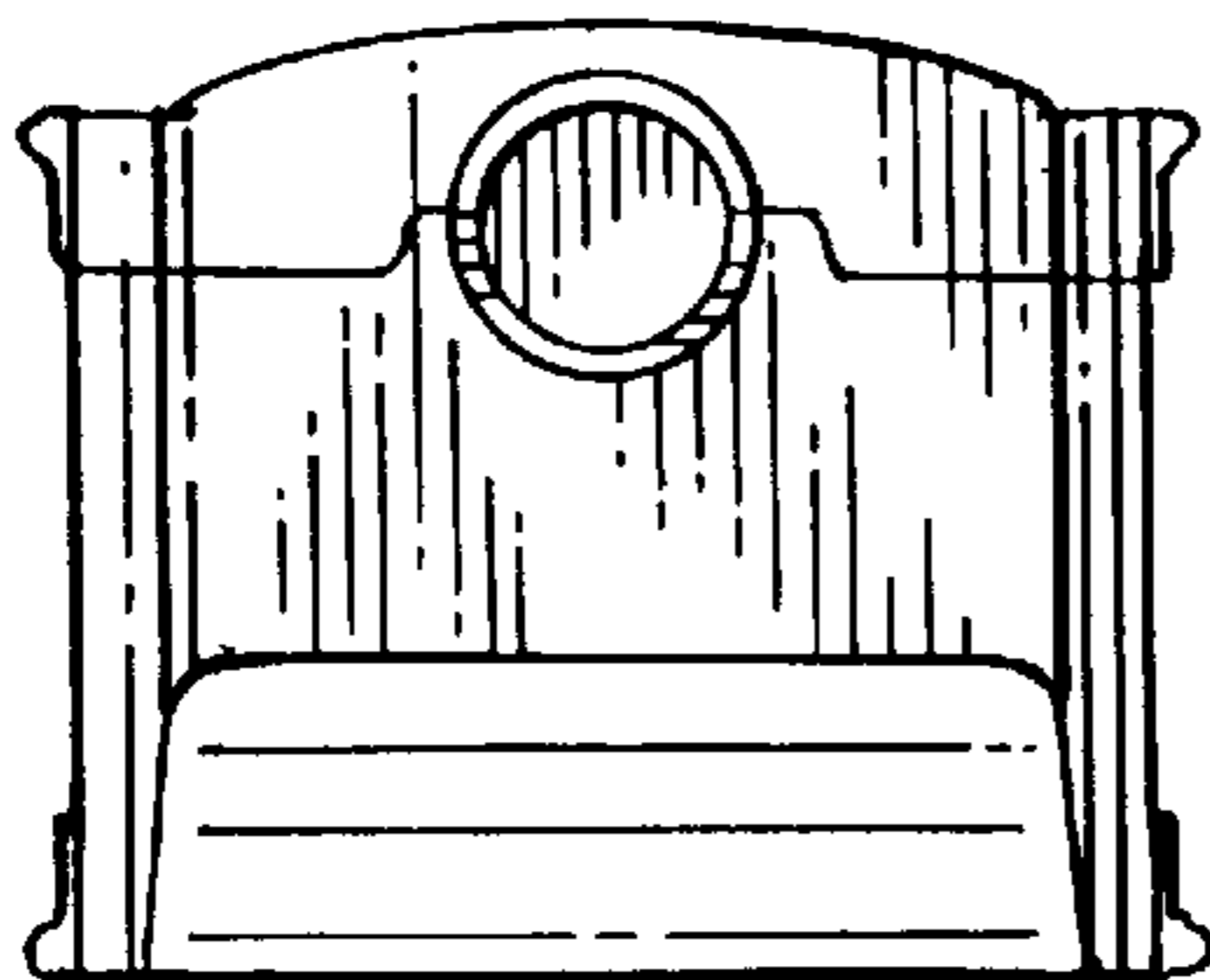


FIG. 6

