



US00D427927S

# United States Patent [19] Ross

[11] Patent Number: **Des. 427,927**

[45] Date of Patent: **\*\* Jul. 11, 2000**

[54] **BOX FINDER**

5,136,788 8/1992 Jackson .  
5,172,483 12/1992 Yocono, Sr. et al. .

[76] Inventor: **Karl A. Ross**, 1101 NE. 80th Ter.,  
Kansas City, Mo. 64118

*Primary Examiner*—Marcus A. Jackson  
*Attorney, Agent, or Firm*—Shlesinger, Arwright & Garvey  
LLP

[\*\*] Term: **14 Years**

[21] Appl. No.: **29/108,682**

[57] **CLAIM**

[22] Filed: **Aug. 3, 1999**

The ornamental design for a box finder, as shown and described.

[51] **LOC (7) Cl.** ..... **10-05**

[52] **U.S. Cl.** ..... **D10/104**

[58] **Field of Search** ..... D10/104, 106,  
D10/116, 121; 340/906, 907, 908, 916,  
917

**DESCRIPTION**

[56] **References Cited**

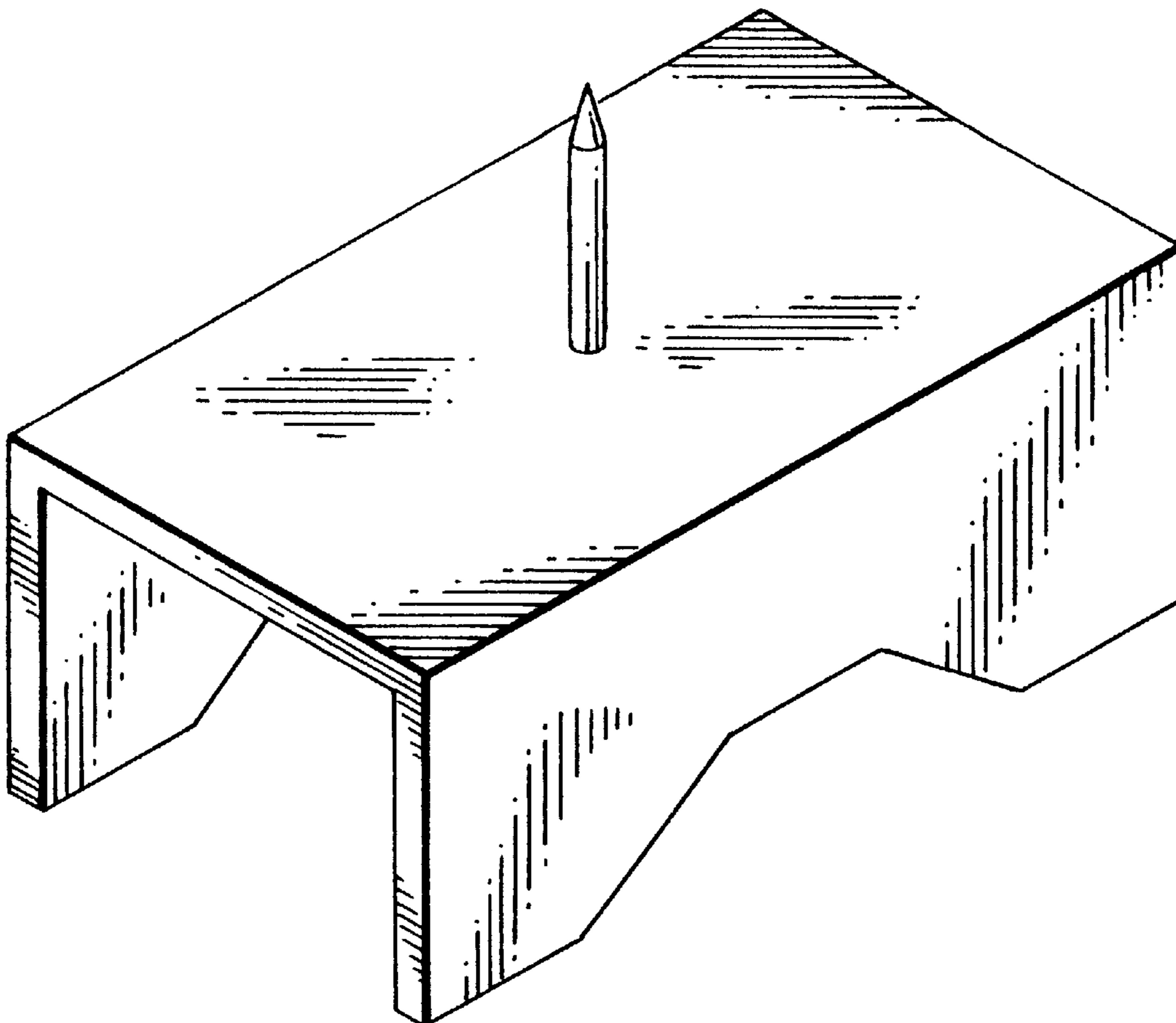
**U.S. PATENT DOCUMENTS**

D. 394,223	5/1998	Nishimura et al. ....	D10/104
2,775,812	1/1957	Mohr .	
3,888,013	6/1975	Benoit .	
3,924,331	12/1975	Goosen .	
4,059,905	11/1977	Wieting .	
4,202,388	5/1980	Wieting .	
4,209,103	6/1980	Glovier .	
4,359,302	11/1982	Payne .	
4,802,284	2/1989	Jackson .	
4,953,733	9/1990	Loscuito .	
5,040,304	8/1991	Jackson .	

FIG. 1 is a top perspective view of a box finder showing my new design;  
FIG. 2 is an end view of FIG. 1;  
FIG. 3 is a side view of FIG. 1;  
FIG. 4 is a bottom view of FIG. 1;  
FIG. 5 is a top perspective view of another embodiment of my new design;  
FIG. 6 is an end view of FIG. 5;  
FIG. 7 is side view of FIG. 5; and,  
FIG. 8 is a bottom view of FIG. 5.

The end and side views not shown for the embodiment of FIG. 1 are identical to FIGS. 2 and 3, respectively.  
The end and side views not shown for the embodiment of FIG. 5 are identical to FIGS. 6 and 7, respectively.  
Phantom lines shown are not part of the claimed design.

**1 Claim, 2 Drawing Sheets**



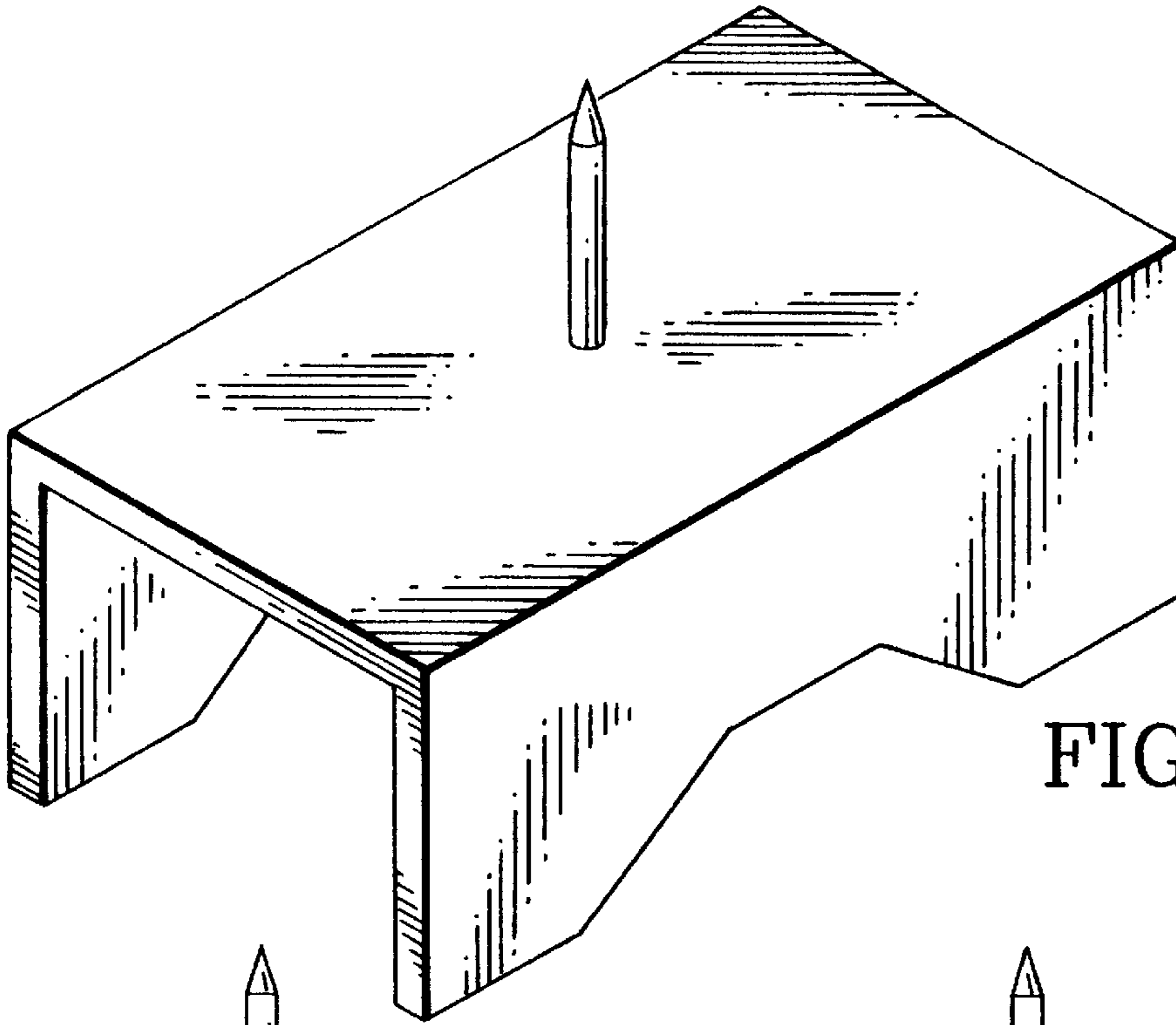


FIG. 1

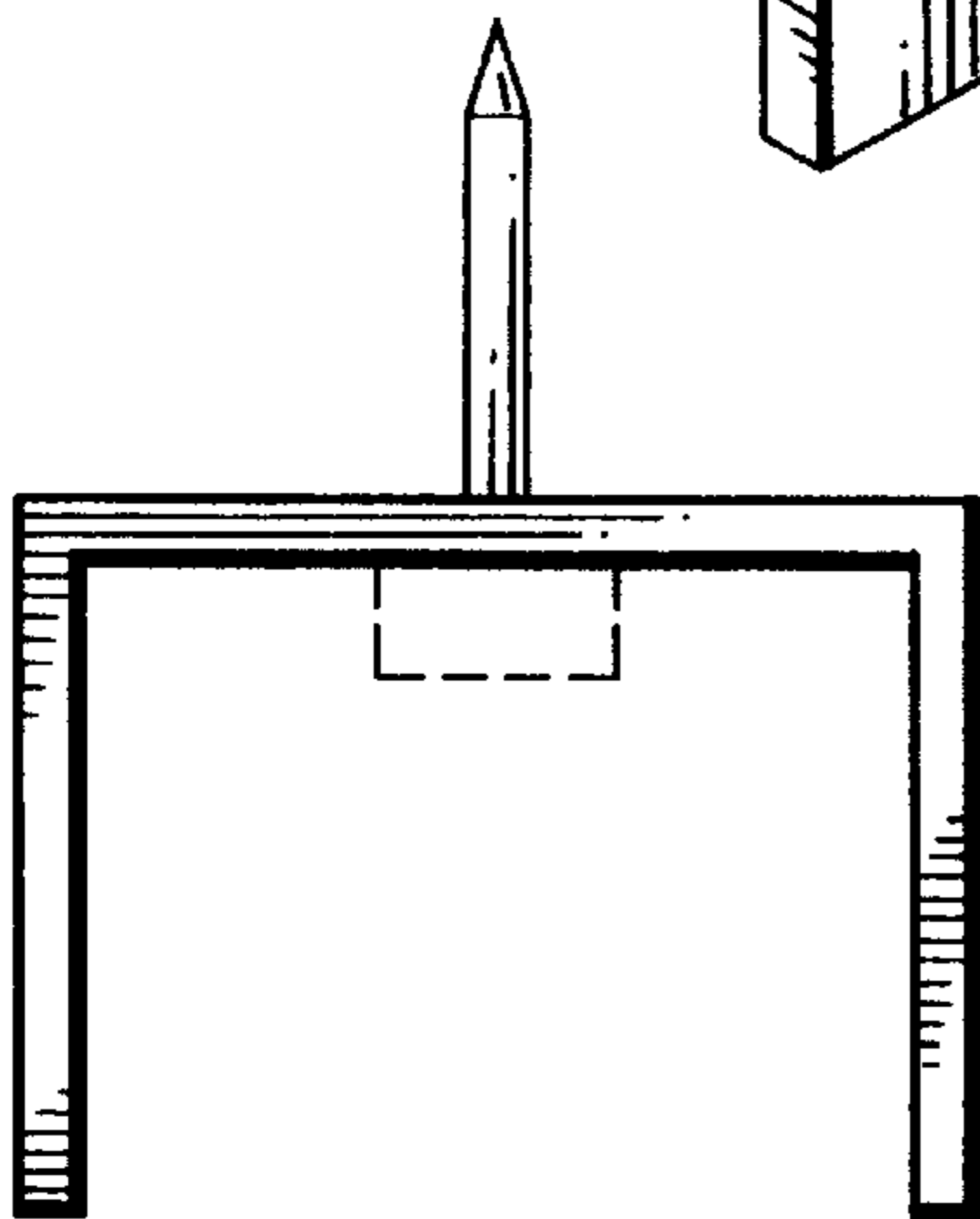


FIG. 2

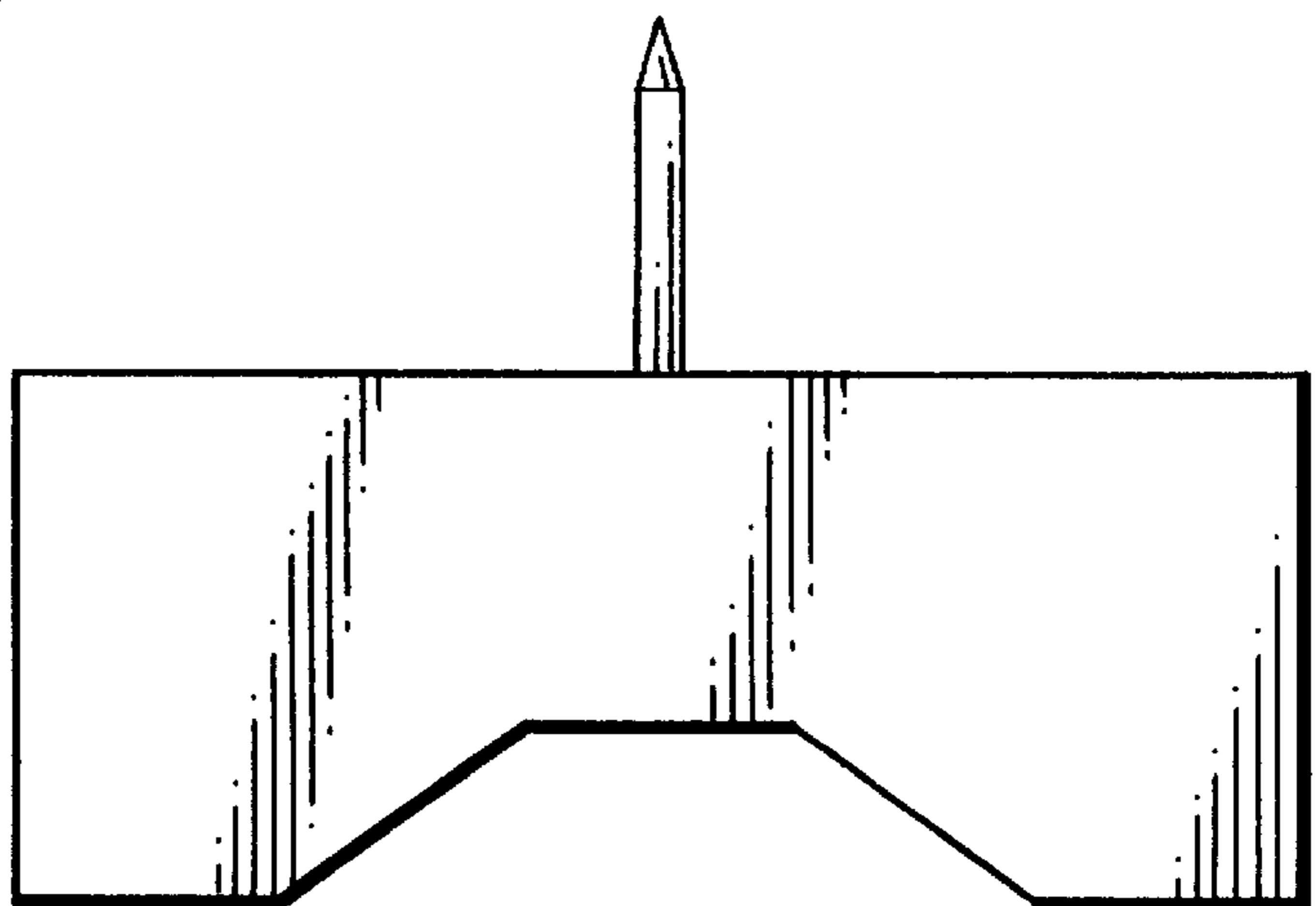


FIG. 3

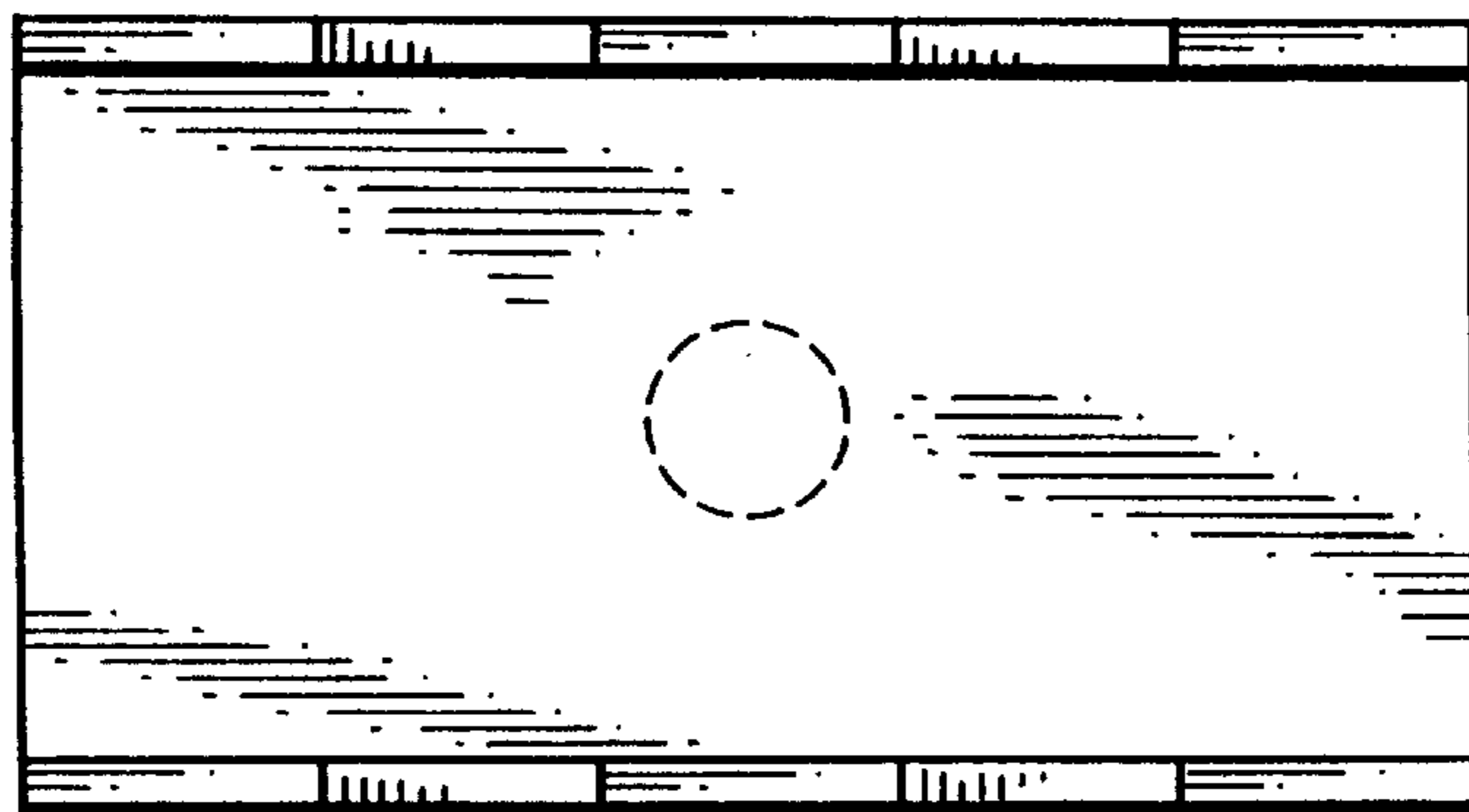


FIG. 4

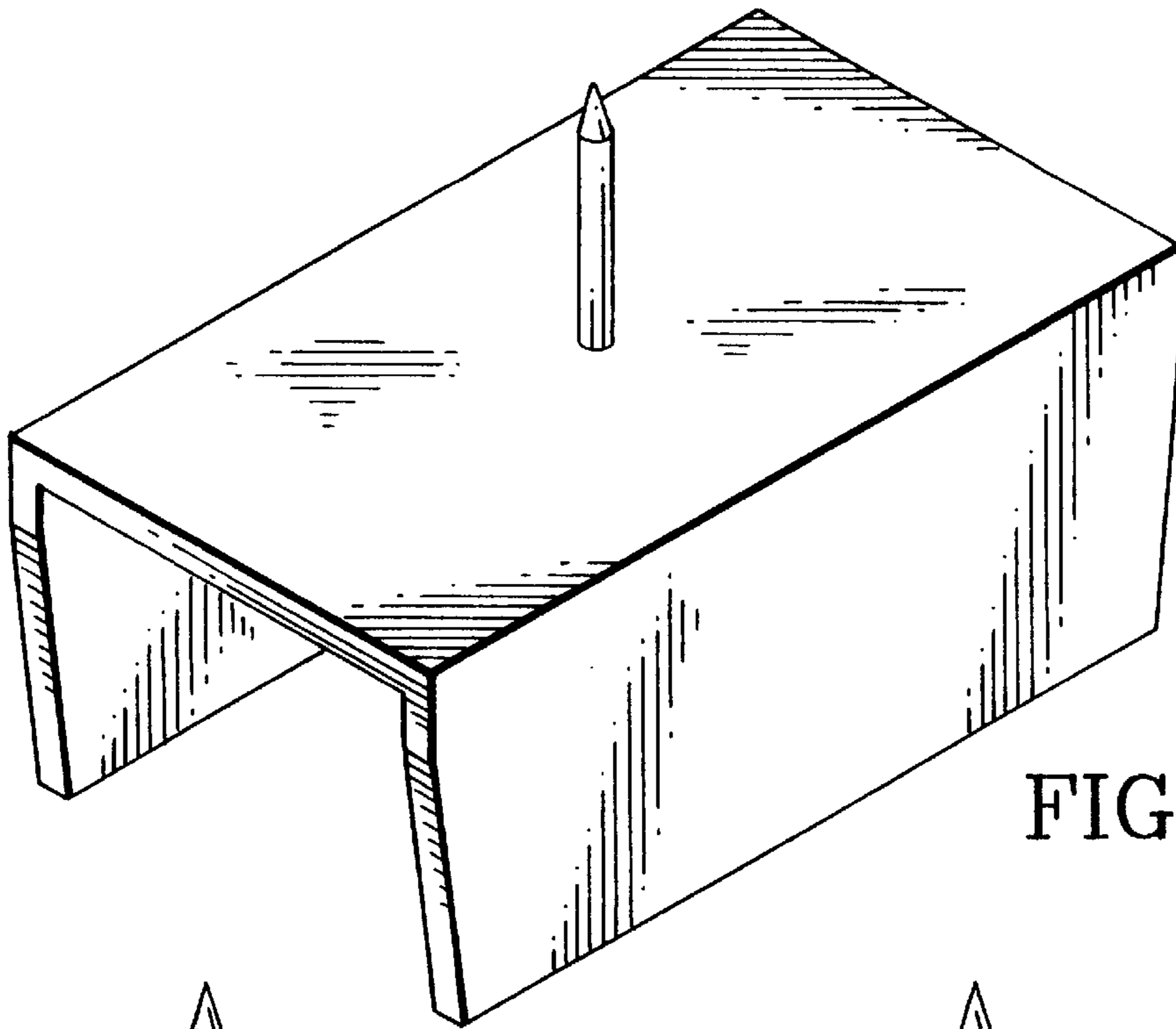


FIG. 5

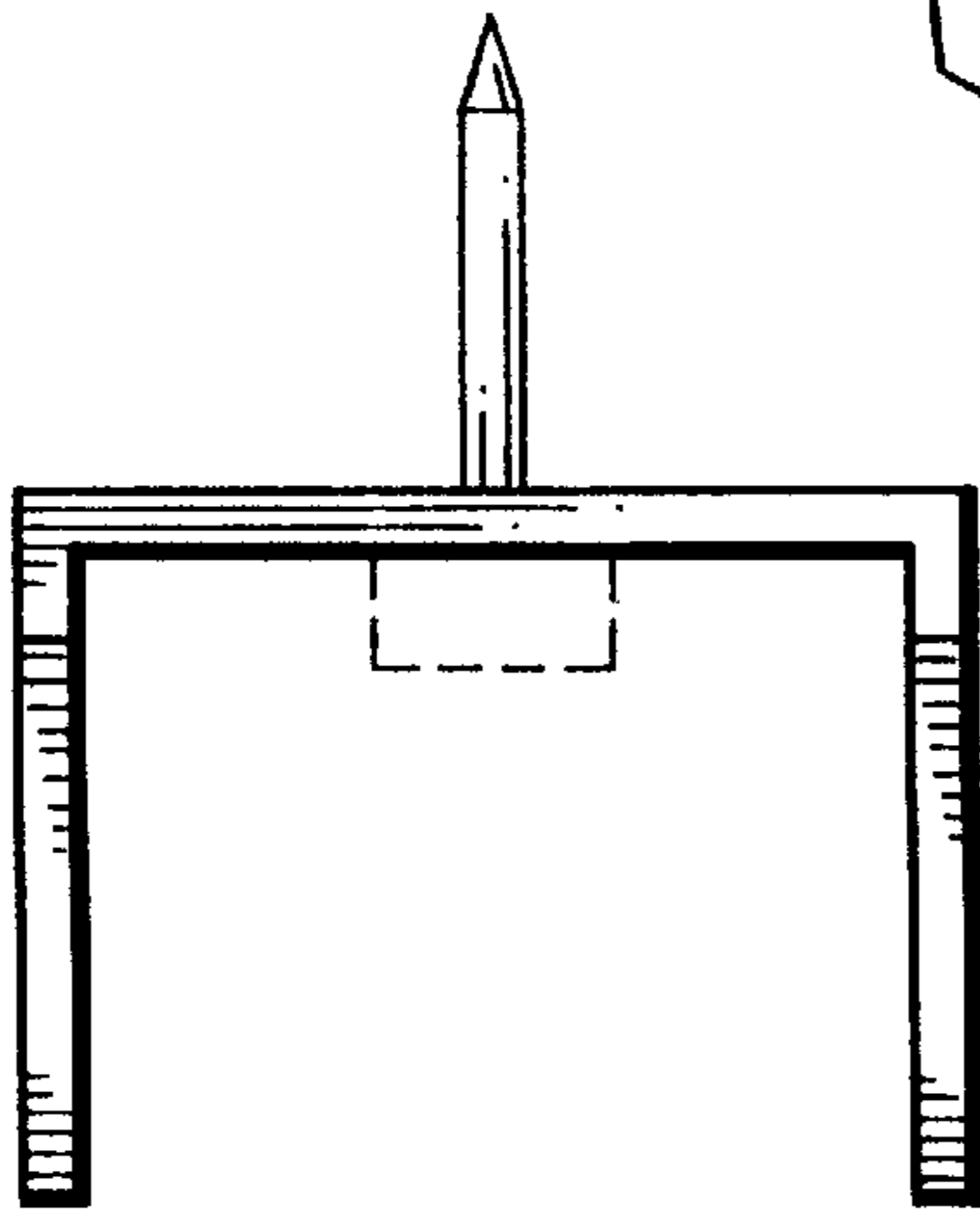


FIG. 6

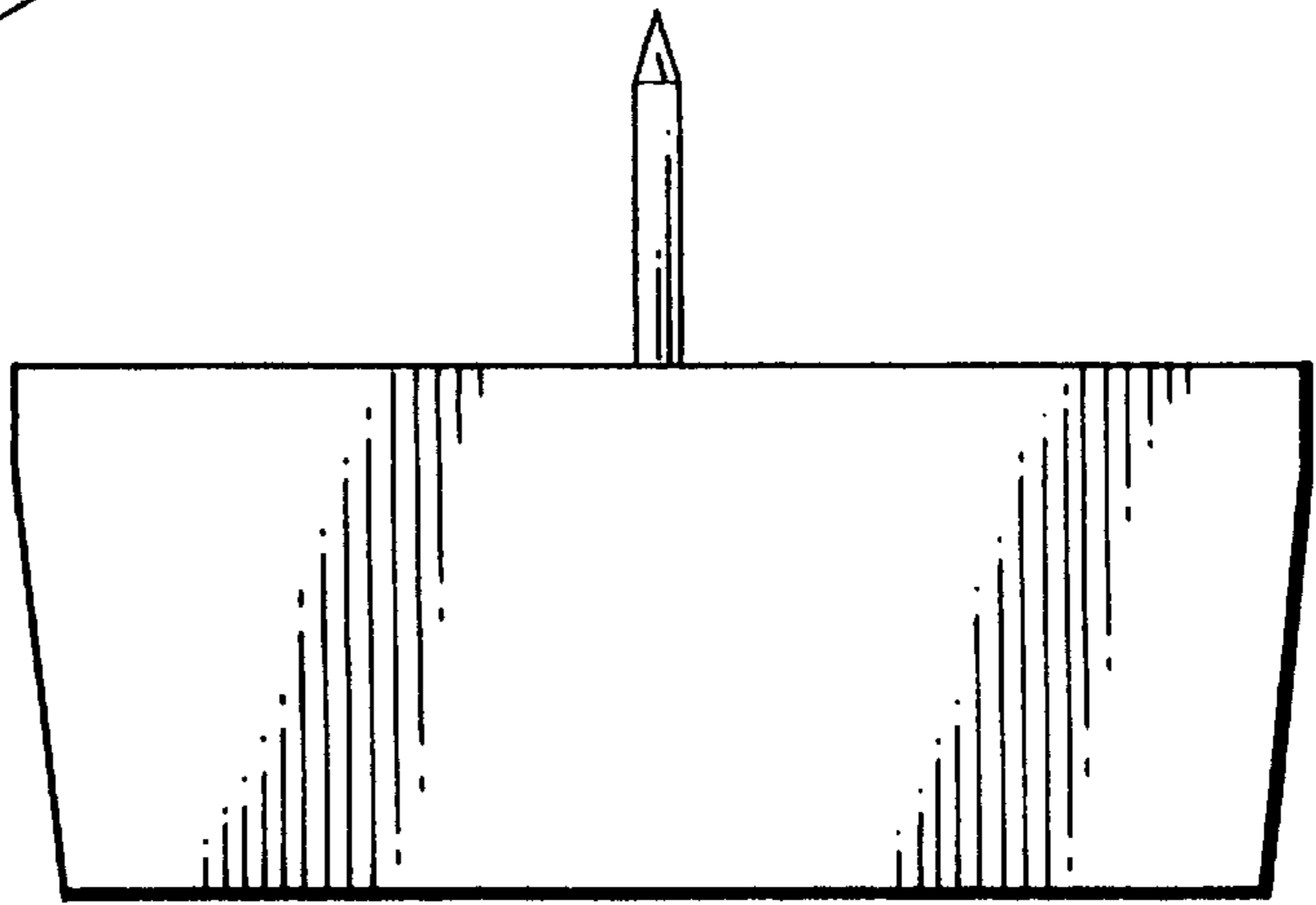


FIG. 7

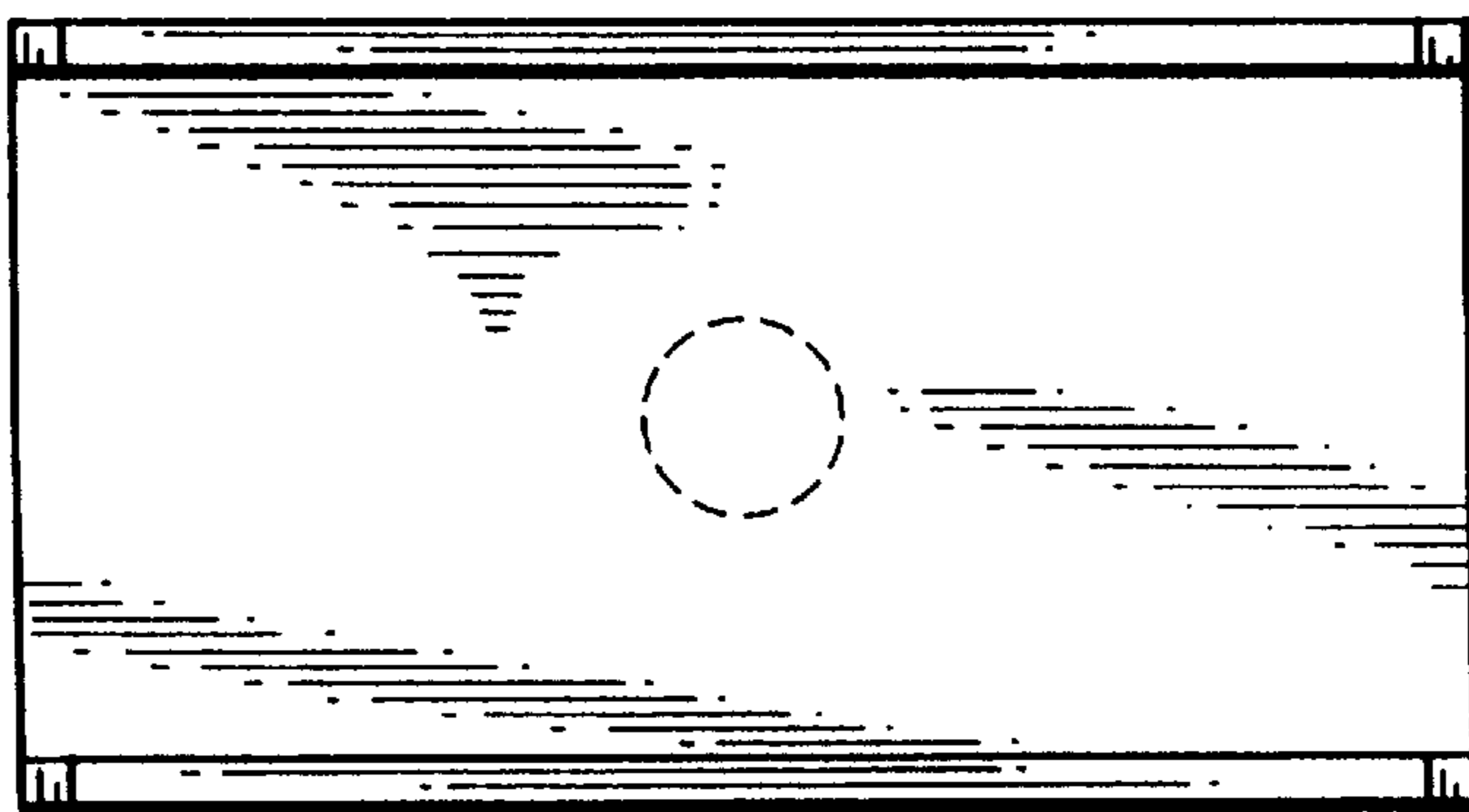


FIG. 8