



US00D427923S

United States Patent [19]

[11] **Patent Number: Des. 427,923**

Jonsson et al.

[45] **Date of Patent: ** Jul. 11, 2000**

[54] **MEASURING INSTRUMENT**

*Primary Examiner—Antoine Duval Davis
Attorney, Agent, or Firm—Davis and Bujold*

[75] Inventors: **Jan-Olof Jonsson, Ljung; Lars Lenberg**, Nossebro, both of Sweden

[57] **CLAIM**

[73] Assignee: **Tour & Anderson Hydronics AB**, Ljung, Sweden

The ornamental design for a measuring instrument, as shown and described.

[**] Term: **14 Years**

DESCRIPTION

[21] Appl. No.: **29/103,167**

FIG. 1 is a front, bottom, right side perspective view of a measuring instrument embodying our new design;

[22] Filed: **Apr. 9, 1999**

FIG. 2 is a top, rear, left side view thereof;

[30] **Foreign Application Priority Data**

FIG. 3 is a front elevational view thereof;

Oct. 14, 1998 [DK] Denmark MA 1998 01076

FIG. 4 is a rear elevational view thereof;

[51] **LOC (7) Cl.** **10-04**

FIG. 5 is a left side elevational view thereof, the right side view being a mirror image of the left side;

[52] **U.S. Cl.** **D10/85**

FIG. 6 is a top plan view thereof;

[58] **Field of Search** D10/46, 78, 83, D10/85; 141/38, 67, 100; 156/97

FIG. 7 is a bottom plan view thereof; and,

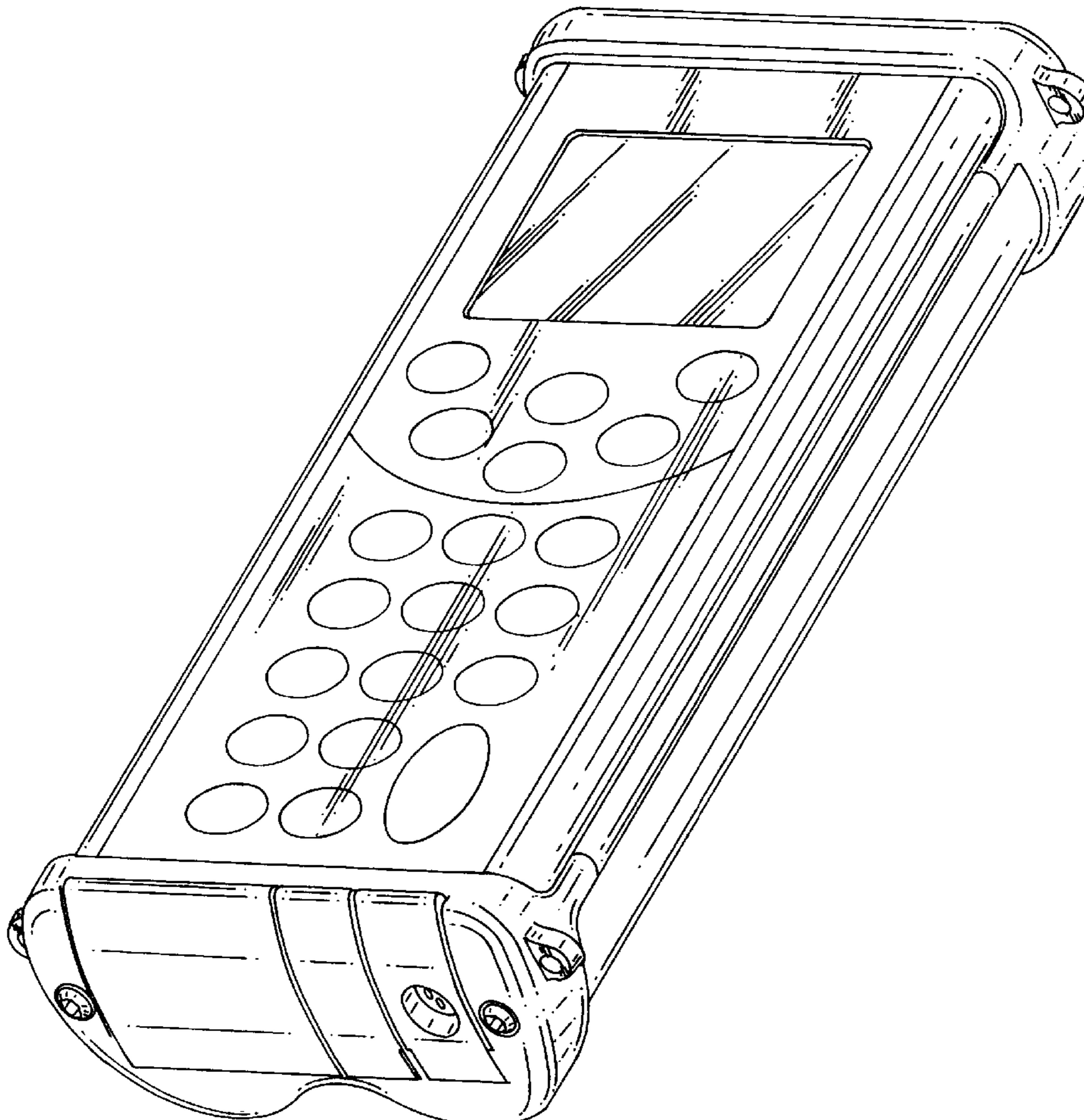
FIG. 8 is a front elevational view thereof with indicia provided thereon.

[56] **References Cited**

U.S. PATENT DOCUMENTS

D. 395,835 7/1998 Okuyama et al. D10/83

1 Claim, 6 Drawing Sheets



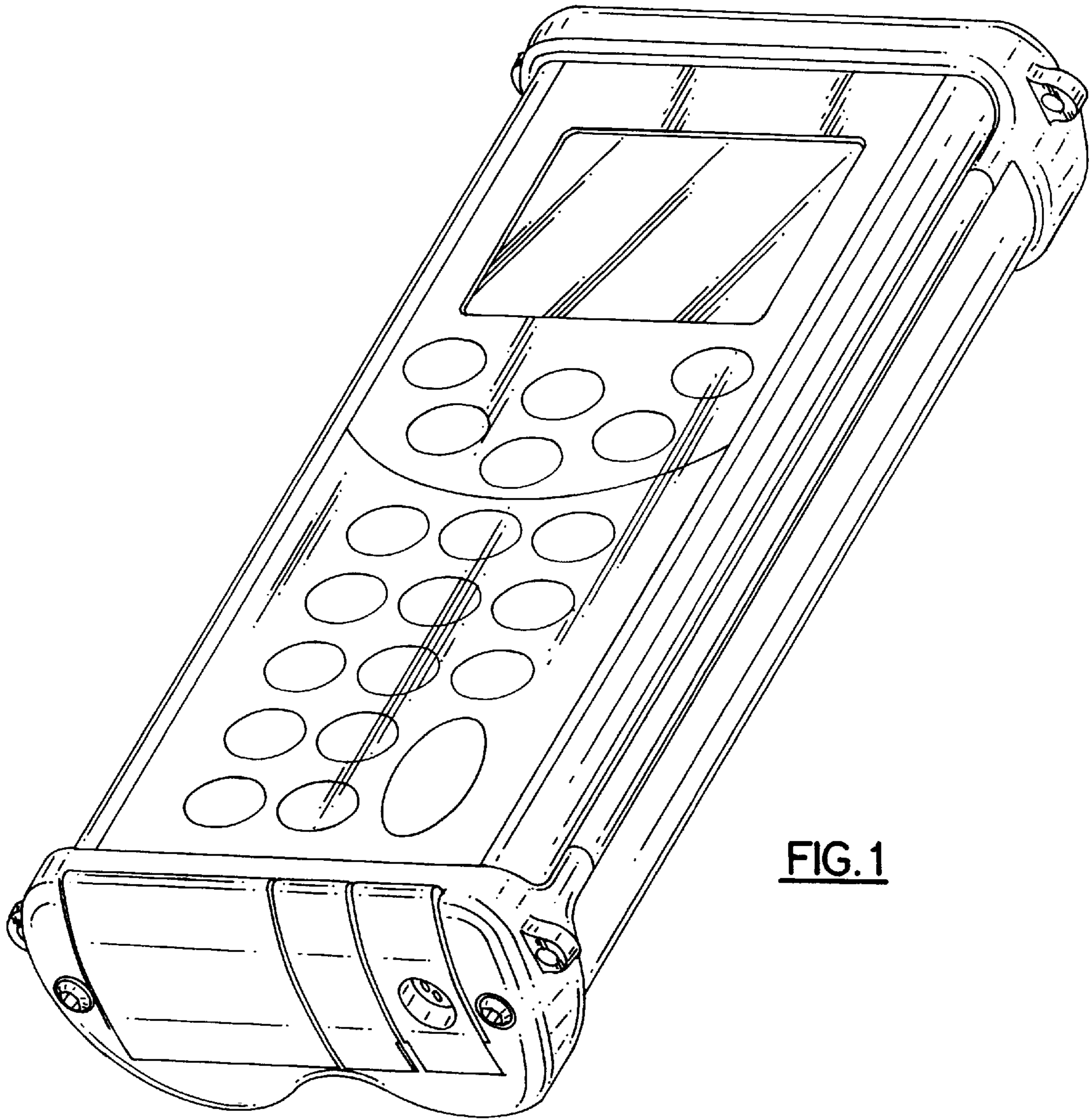


FIG. 1

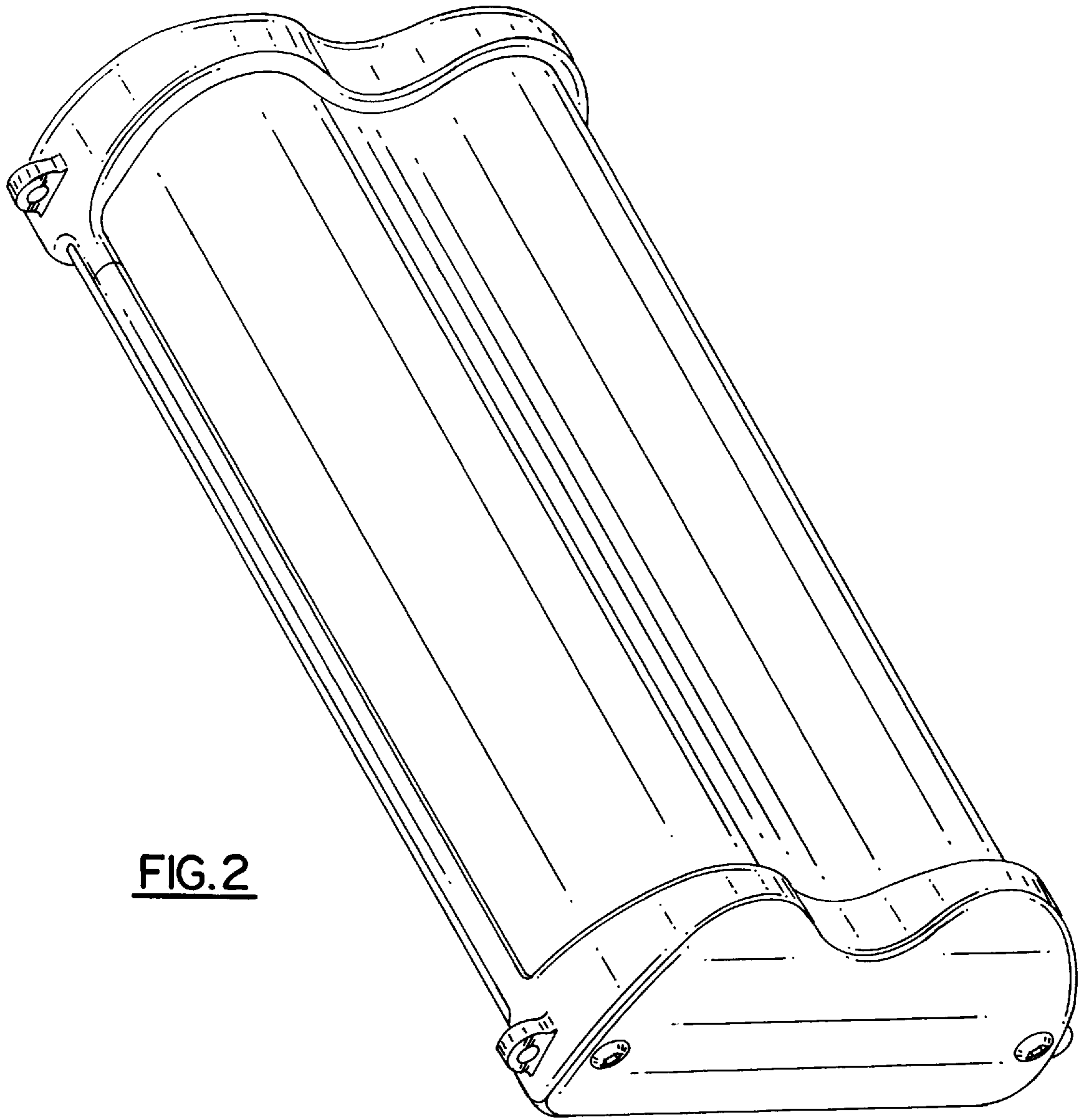


FIG. 2

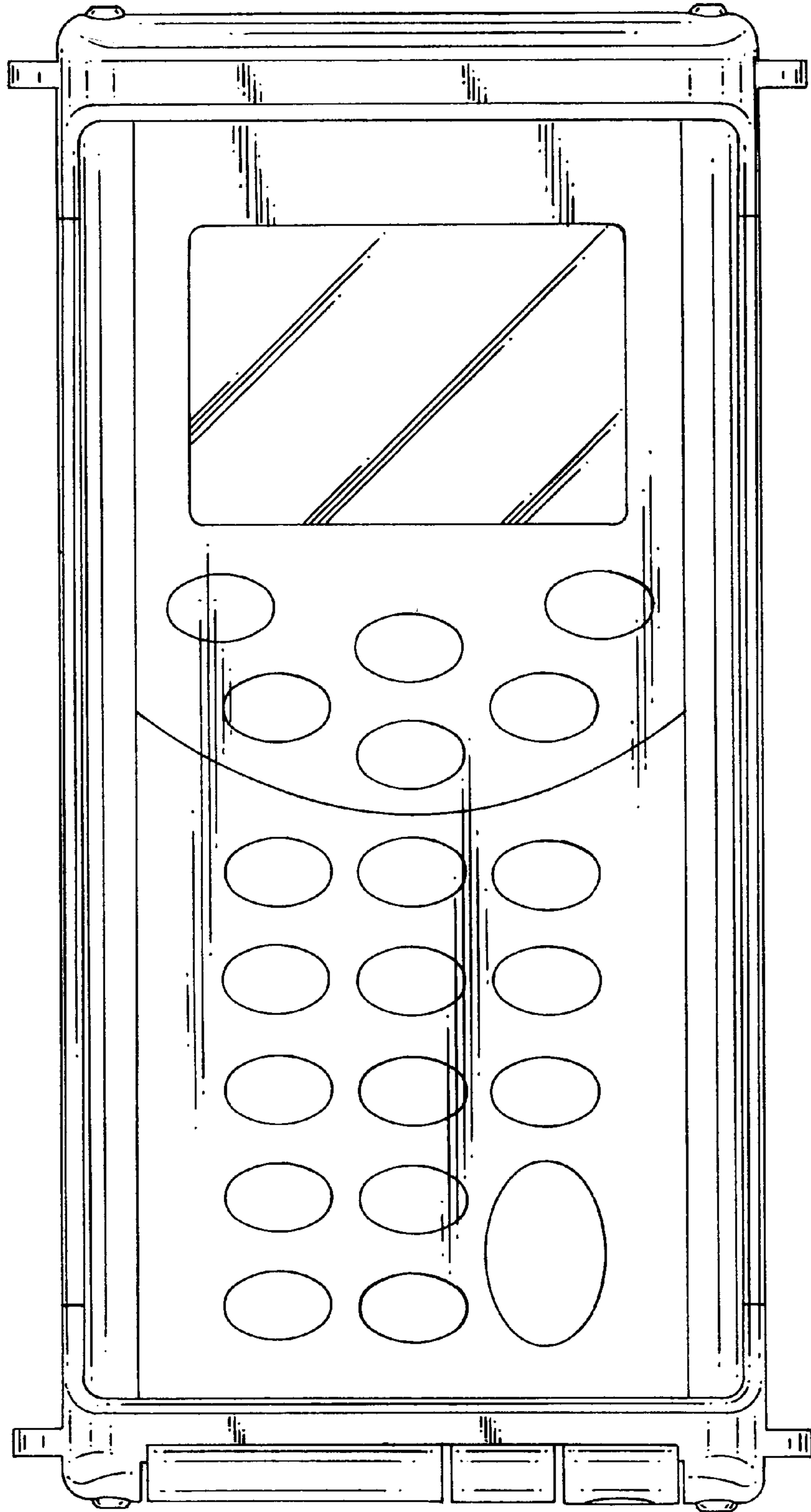


FIG. 3

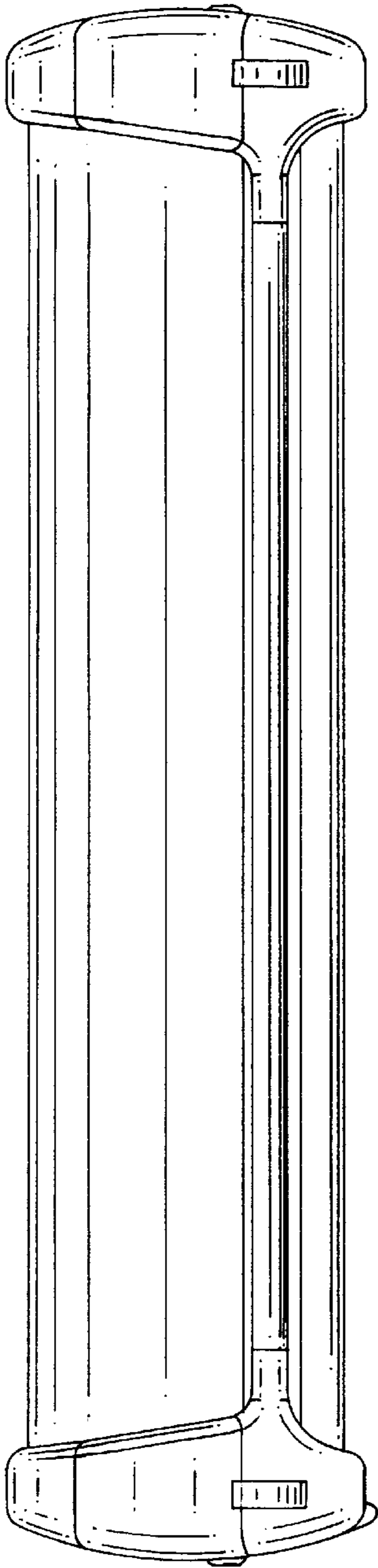


FIG. 5

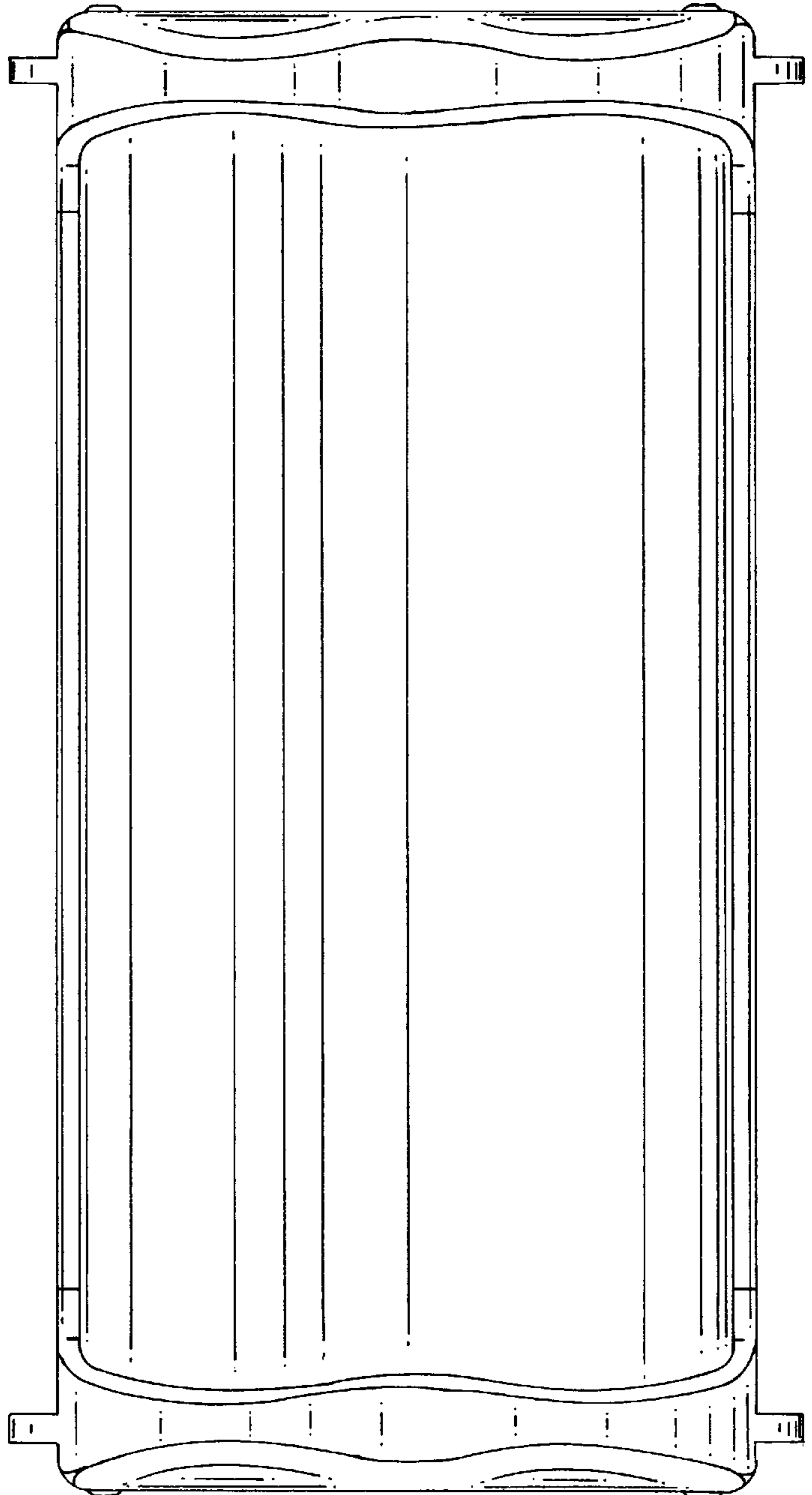


FIG. 4

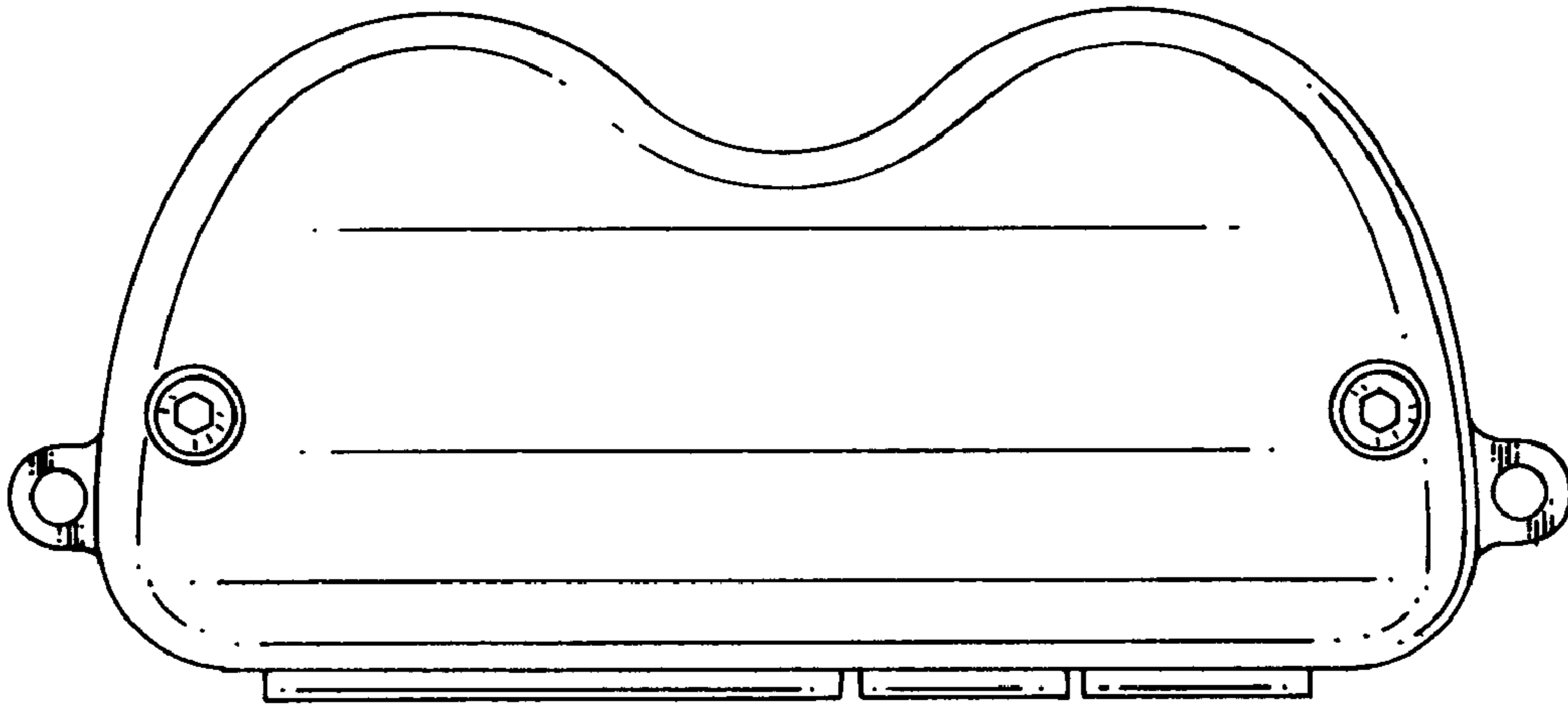


FIG. 6

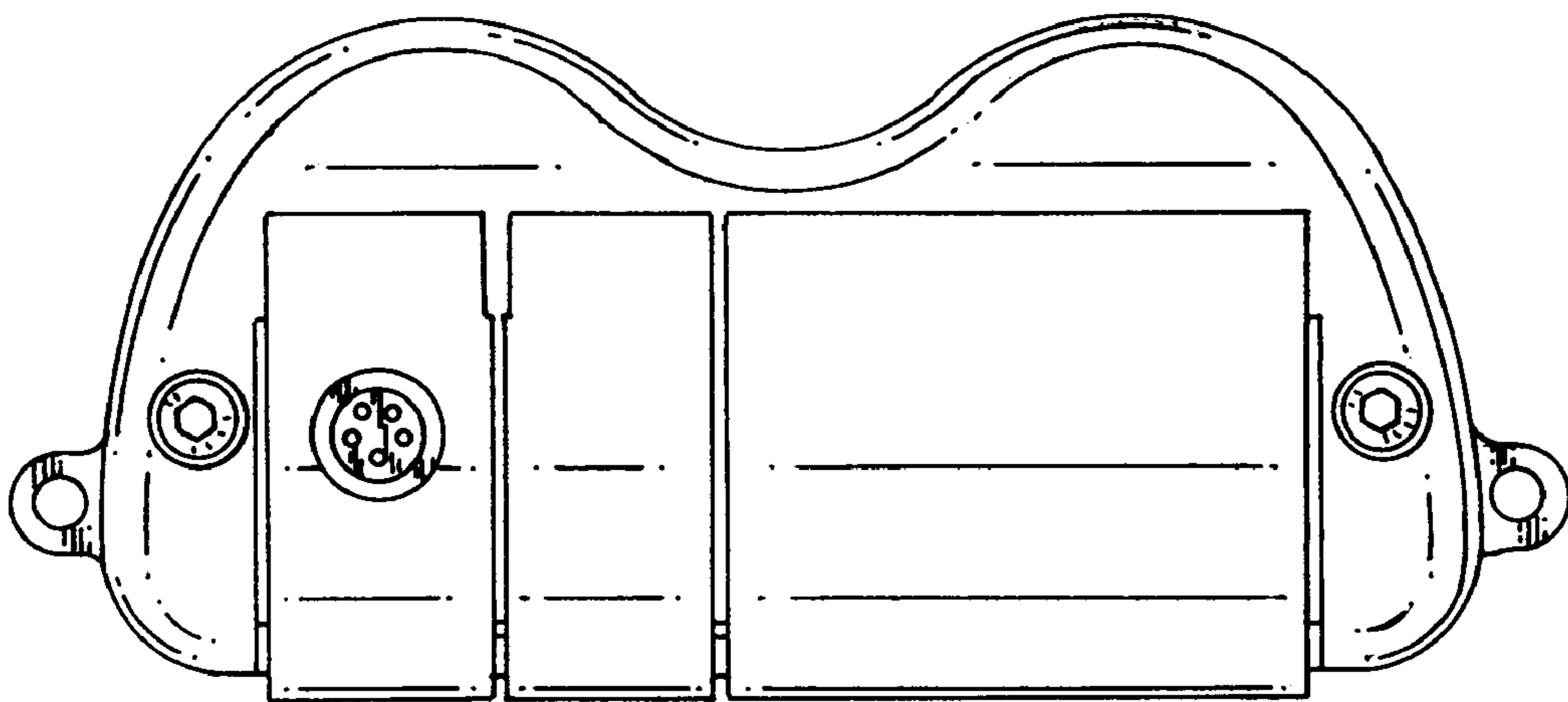


FIG. 7

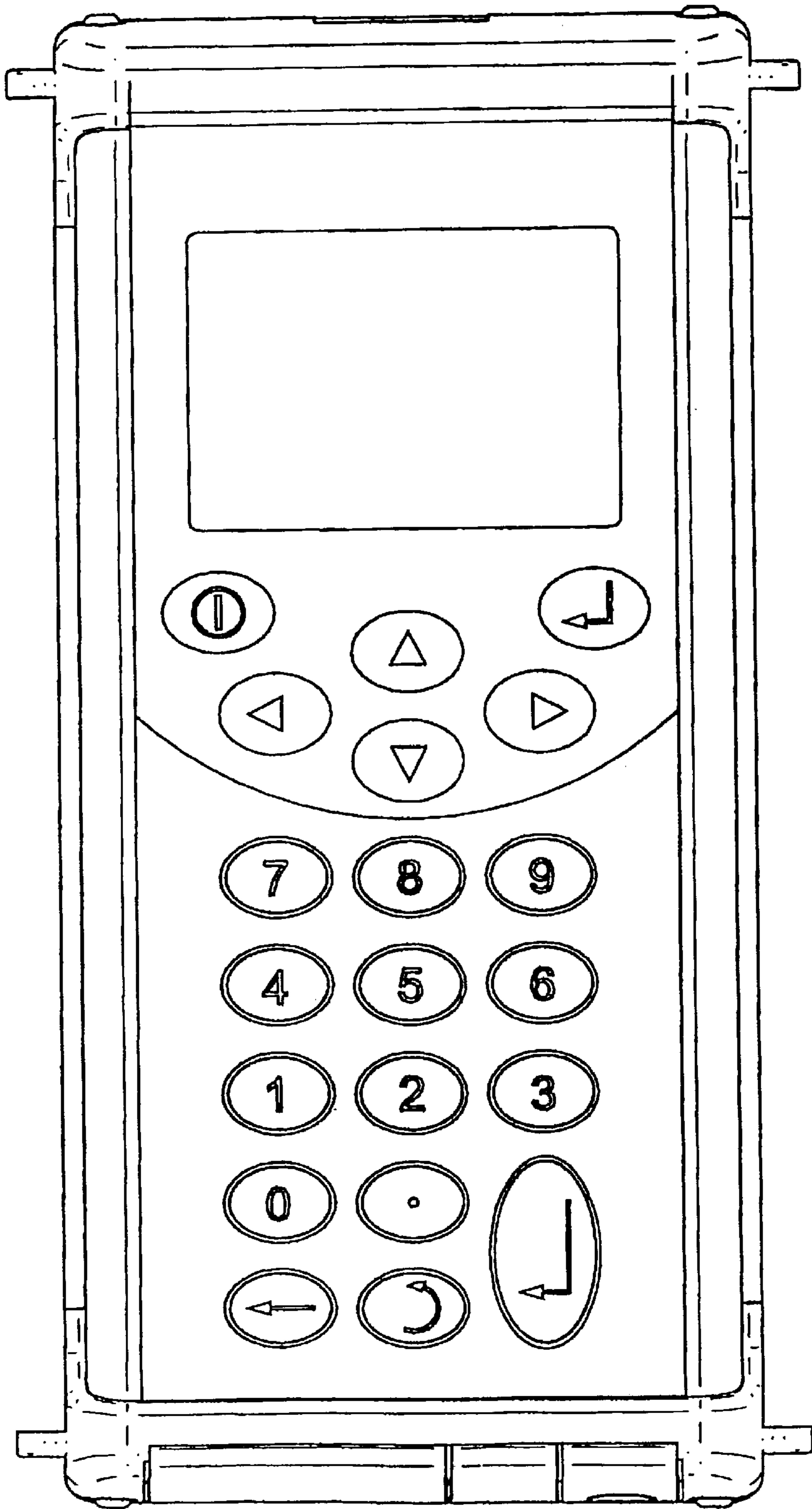


FIG. 8