



US00D427919S

# United States Patent [19]

[11] **Patent Number: Des. 427,919**

**Laverick et al.**

[45] **Date of Patent: \*\* Jul. 11, 2000**

[54] **PORTABLE HAND-HELD NAVIGATIONAL DEVICE**

D. 404,666 1/1999 Wisley ..... D10/78  
D. 412,450 6/1998 McCain ..... D10/78

[75] Inventors: **David Laverick**, Overland Park; **Brian Schoenfish**, Kansas City; **Min H. Kao**, Leawood, all of Kans.

*Primary Examiner*—Antoine Duval Davis  
*Attorney, Agent, or Firm*—Hovey, Williams, Timmons & Collins

[73] Assignee: **Garmin Corporation**, Taipei, Taiwan

[57] **CLAIM**

[\*\*] Term: **14 Years**

The ornamental design for a portable hand-held navigational device, as shown and described.

[21] Appl. No.: **29/111,395**

**DESCRIPTION**

[22] Filed: **Sep. 27, 1999**

[51] **LOC (7) Cl.** ..... **10-04**

FIG. 1 is a front elevational view of a first embodiment of the present invention;

[52] **U.S. Cl.** ..... **D10/65; D10/78**

FIG. 2 is a bottom plan view thereof;

[58] **Field of Search** ..... D10/65, 78; 73/128; 340/995; 342/98, 102, 113, 115, 352, 356, 357, 359, 417-421; 364/200, 434, 443, 444, 449, 451, 708.1, 709.11

FIG. 3 is a top plan view thereof;

FIG. 4 is a right side view thereof;

FIG. 5 is a rear elevational view thereof; and,

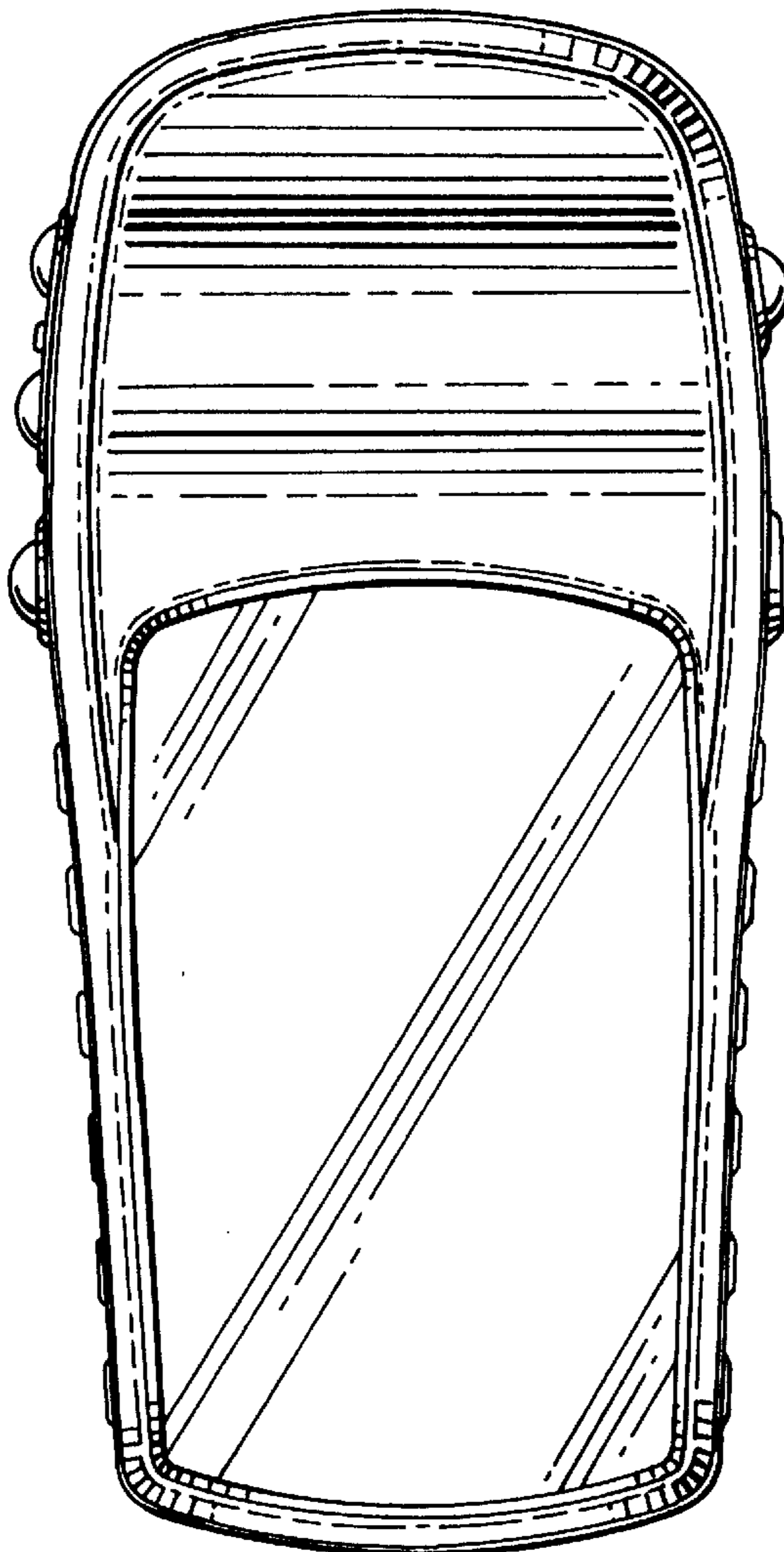
FIG. 6 is a left side view thereof.

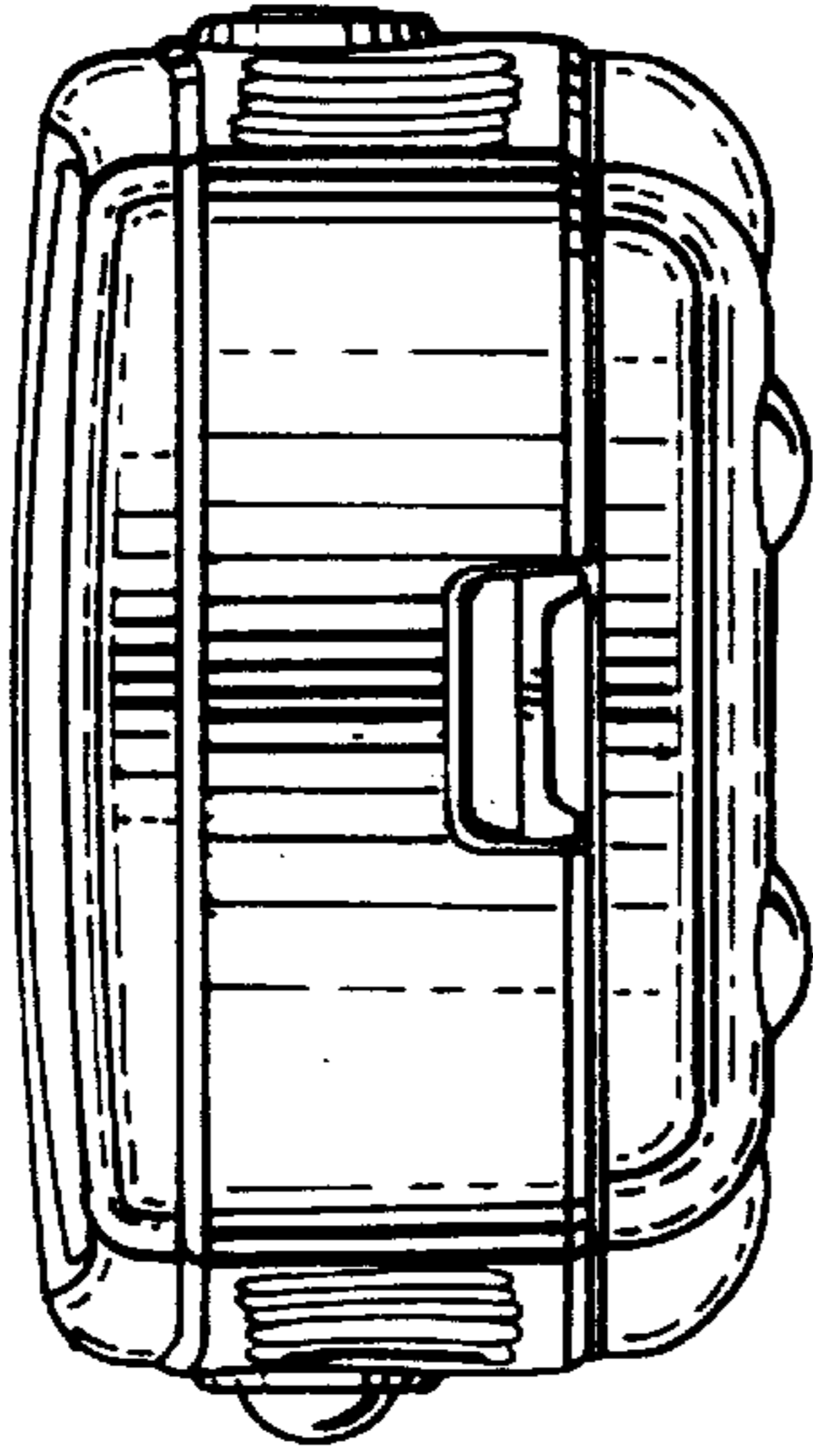
[56] **References Cited**

**U.S. PATENT DOCUMENTS**

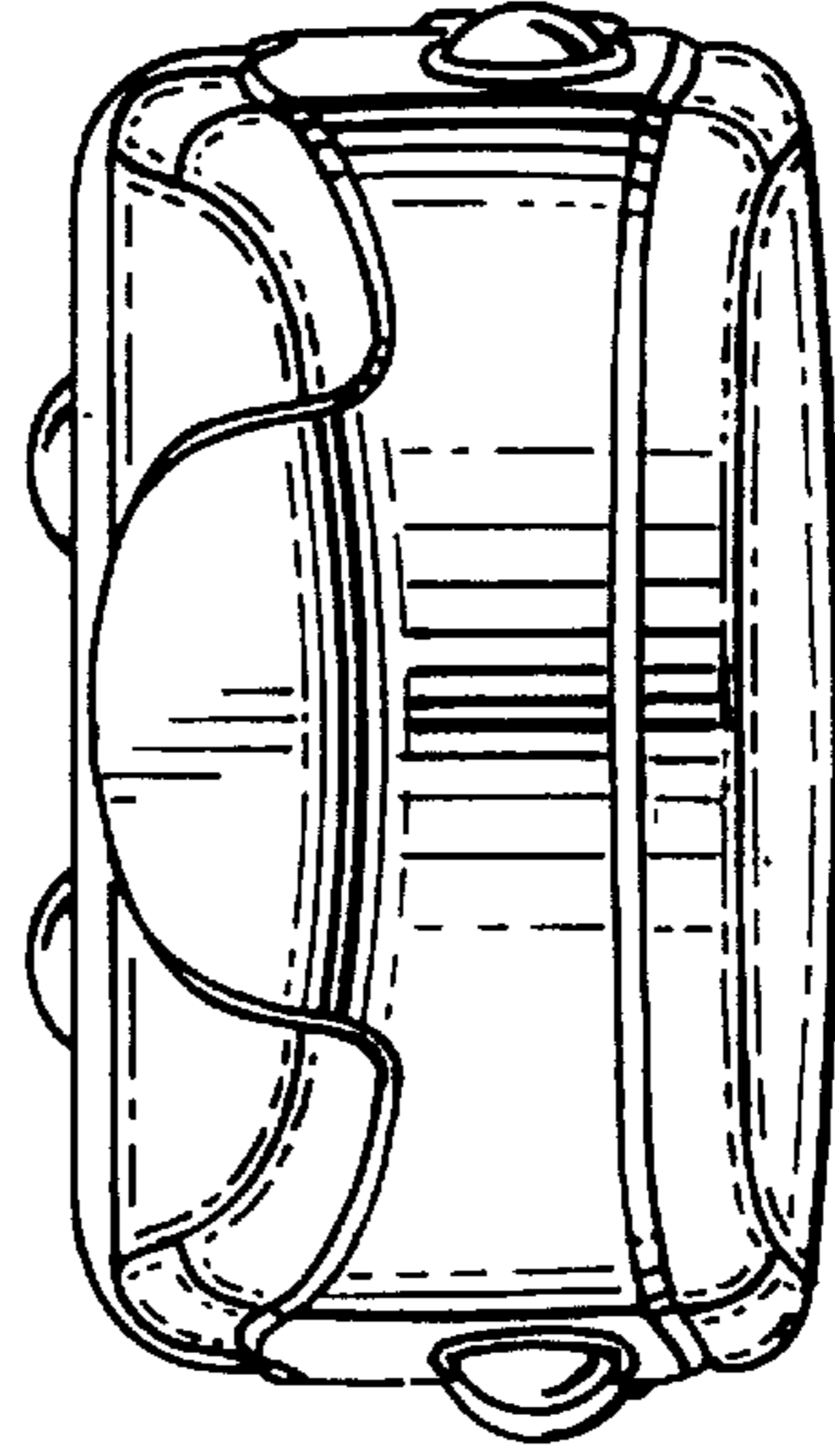
D. 395,252 6/1998 Nelson et al. .... D10/78

**1 Claim, 2 Drawing Sheets**



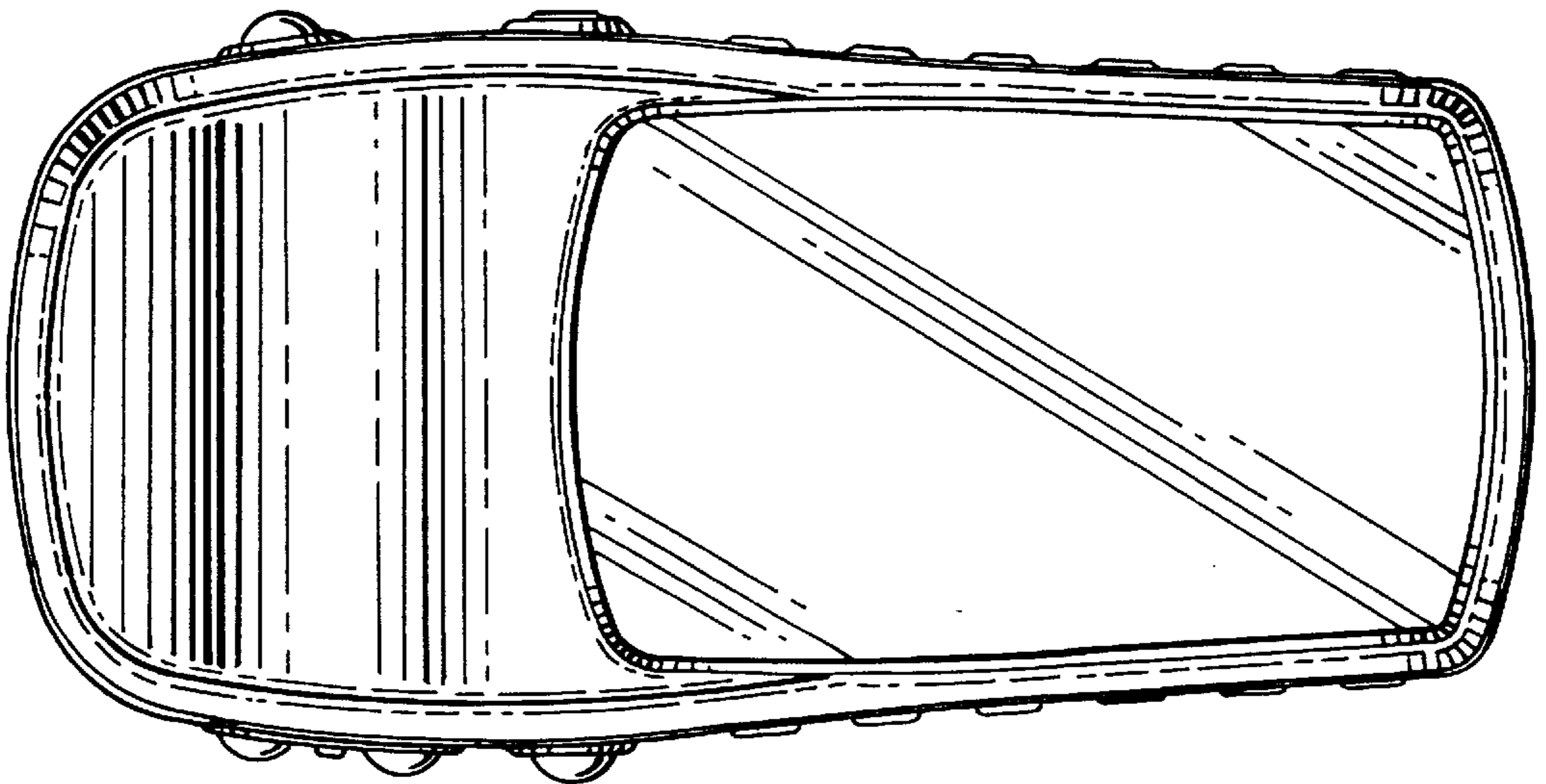


*Fig. 2.*

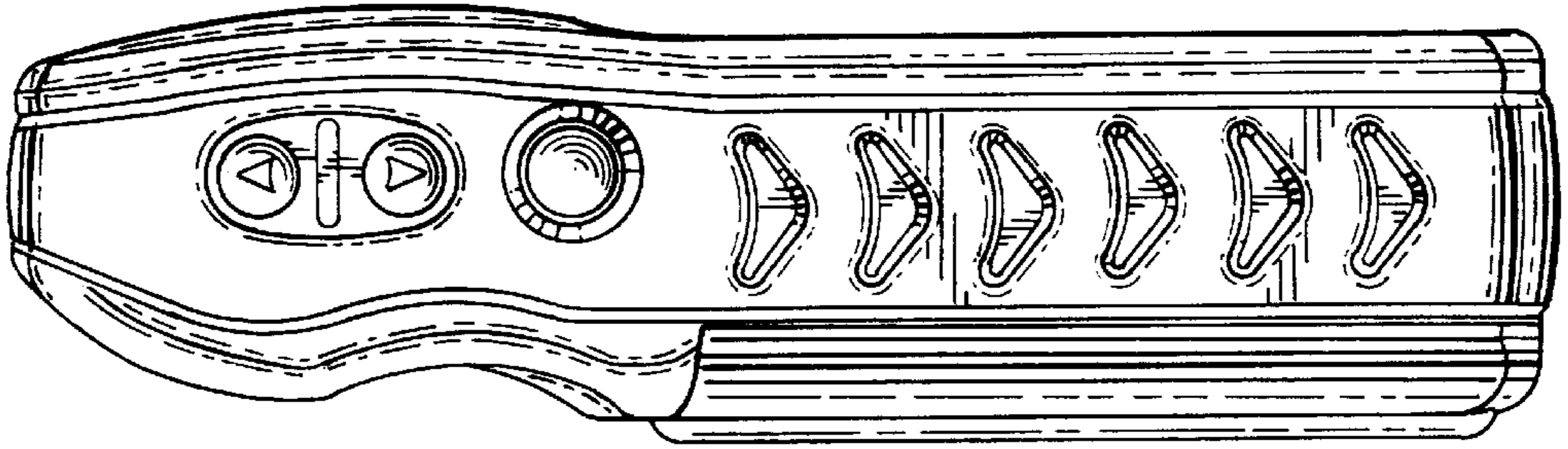


*Fig. 3.*

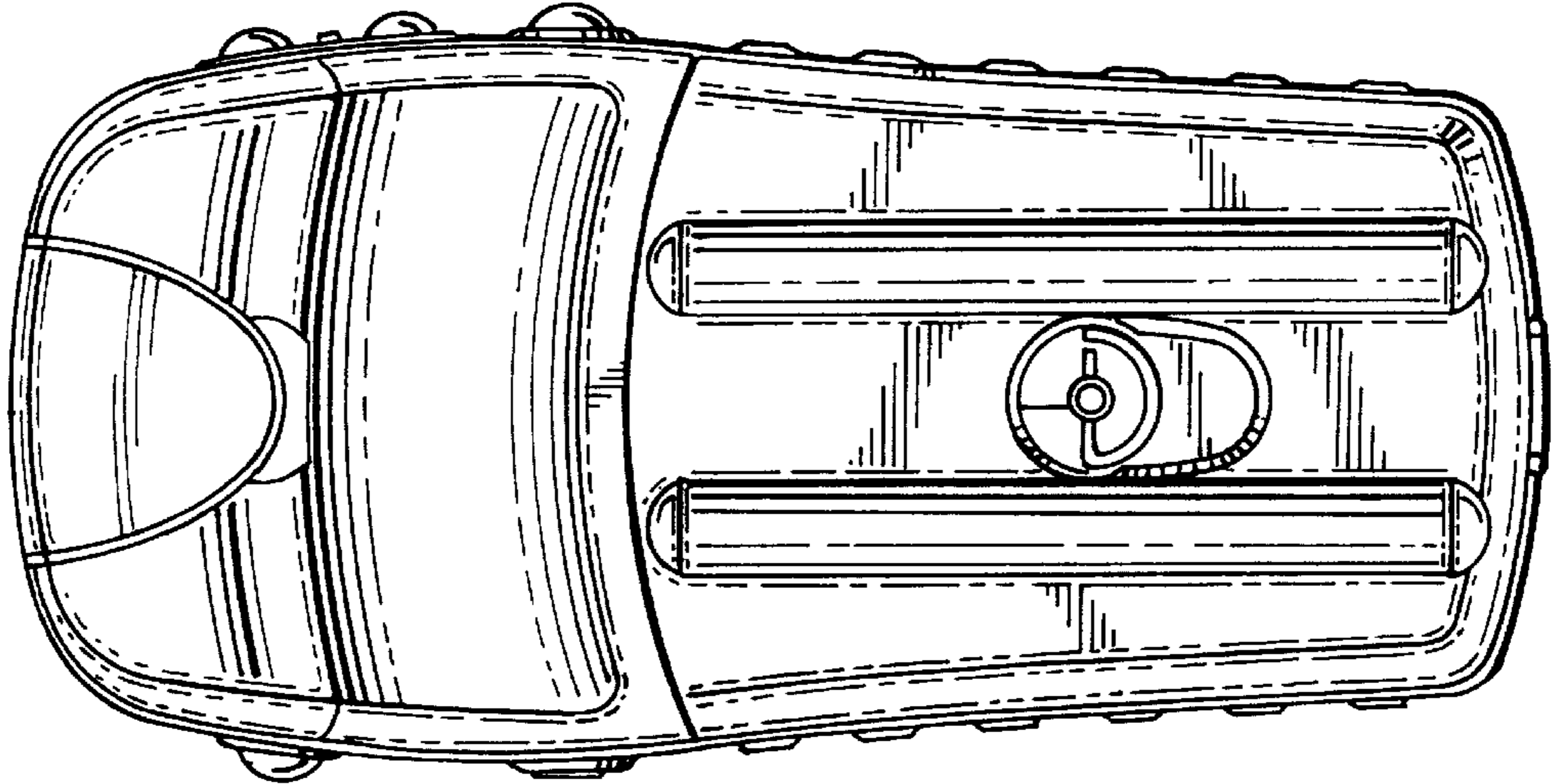
*Fig. 1.*



*Fig. 6.*



*Fig. 5.*



*Fig. 4.*

