



US00D427912S

United States Patent [19]

[11] **Patent Number: Des. 427,912**

Johnson et al.

[45] **Date of Patent: ** Jul. 11, 2000**

[54] **BOTTLE**

[75] Inventors: **Keith Douglas Johnson**, Woodbury;
Steven Edward Craig, Eagan; **William John Feil, III**, Hastings, all of Minn.

[73] Assignee: **Ecolab Inc.**, St. Paul, Minn.

[**] Term: **14 Years**

[21] Appl. No.: **29/106,388**

[22] Filed: **Jun. 15, 1999**

[51] **LOC (7) Cl.** **09-03**

[52] **U.S. Cl.** **D9/528**

[58] **Field of Search** D9/305, 307, 337,
D9/339, 414, 434-435, 500, 502, 516, 520,
527-528, 530-531, 533, 538, 560, 545,
549, 550-551, 554, 556-558, 575, 523;
215/370, 382, 383, 384, 396, 398

[56] **References Cited**

U.S. PATENT DOCUMENTS

- D. 307,551 5/1990 Platte, Sr. D9/531
- D. 311,864 11/1990 Davis D9/528
- D. 319,180 8/1991 Balavich D9/337
- D. 347,173 5/1994 Bogstad et al. D9/528

- D. 353,331 12/1994 Larkin et al. D9/528
- D. 362,799 10/1995 Nobel D9/337
- D. 401,154 11/1998 Robinson D9/528
- D. 403,591 1/1999 Nijs et al. D9/528

Primary Examiner—James Gandy
Assistant Examiner—Carol Rademaker
Attorney, Agent, or Firm—Mau & Krull, P.A.

[57] **CLAIM**

The ornamental design for a bottle, as shown and described.

DESCRIPTION

FIG. 1 is a perspective view of a bottle showing our new design;
FIG. 2 is a left side elevational view thereof;
FIG. 3 is a right side elevational view thereof;
FIG. 4 is a rear elevational view thereof;
FIG. 5 is a front elevational view thereof;
FIG. 6 is a top plan view thereof;
FIG. 7 is a bottom plan view thereof;
FIG. 8 is a perspective view of a second embodiment of a bottle showing our new design; and,
FIG. 9 is a right side elevational view thereof, the left side, front, rear, top and plan views being the same as shown in the first embodiment.

1 Claim, 7 Drawing Sheets

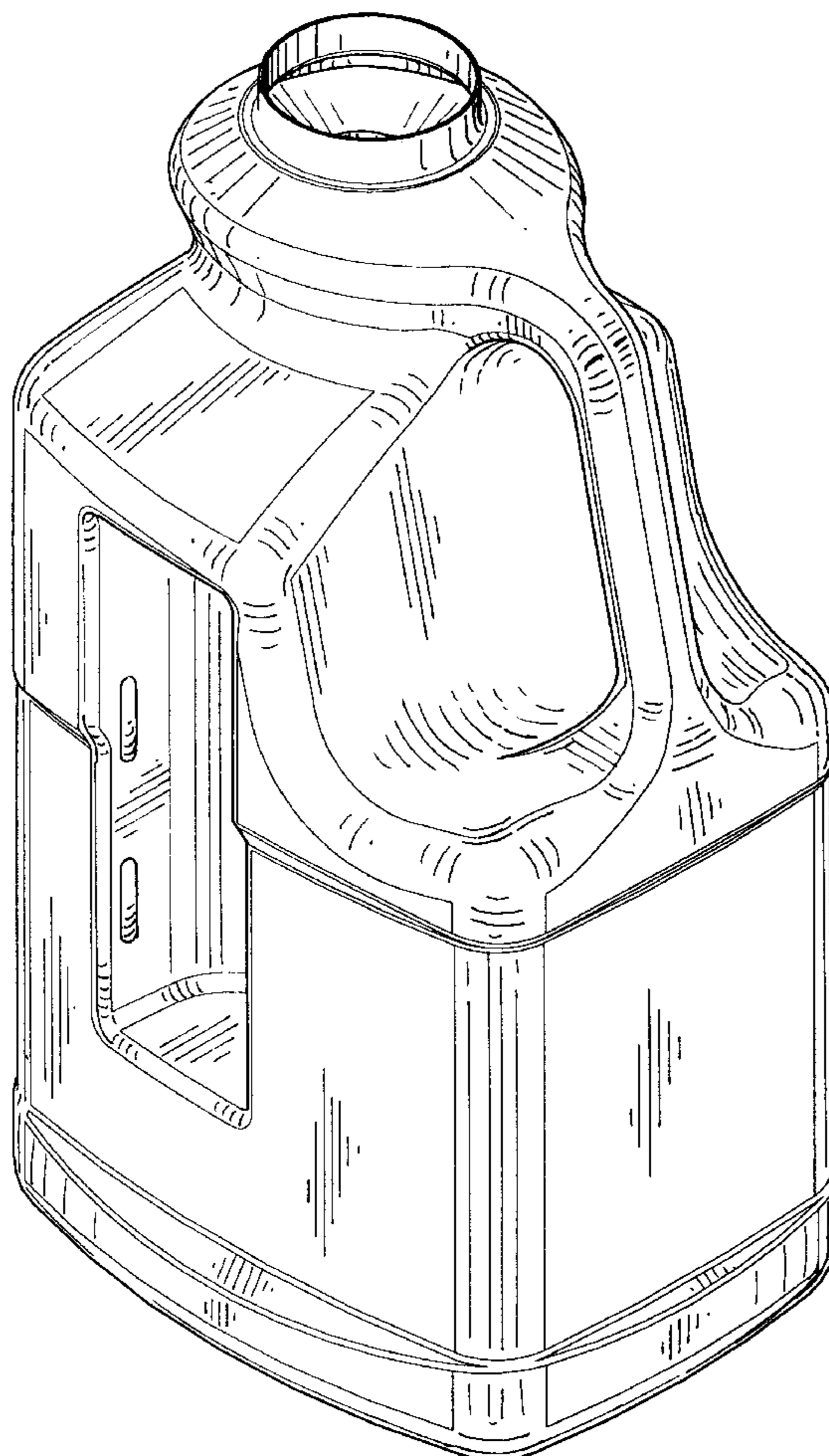


Fig. 1

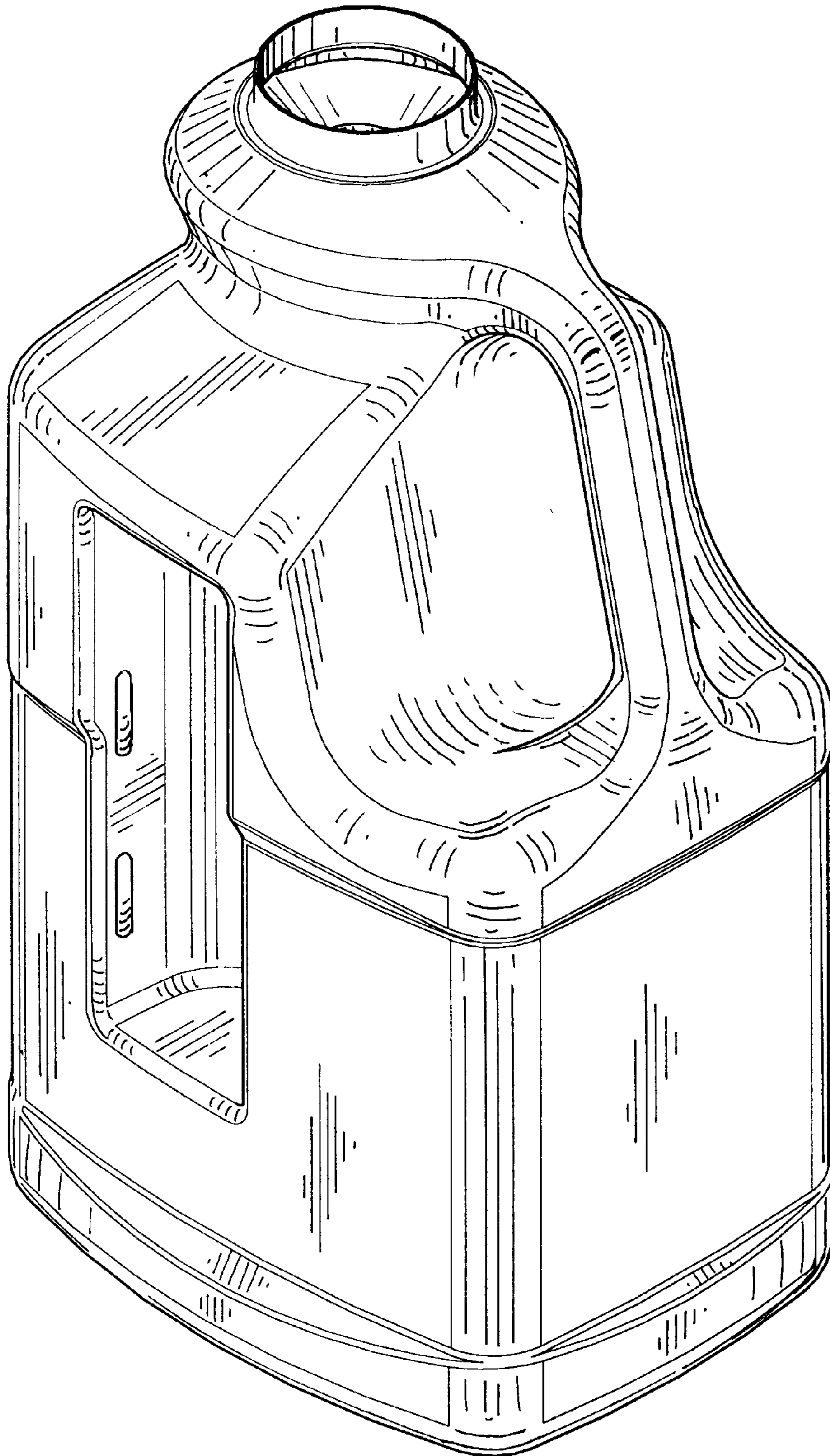


Fig. 2

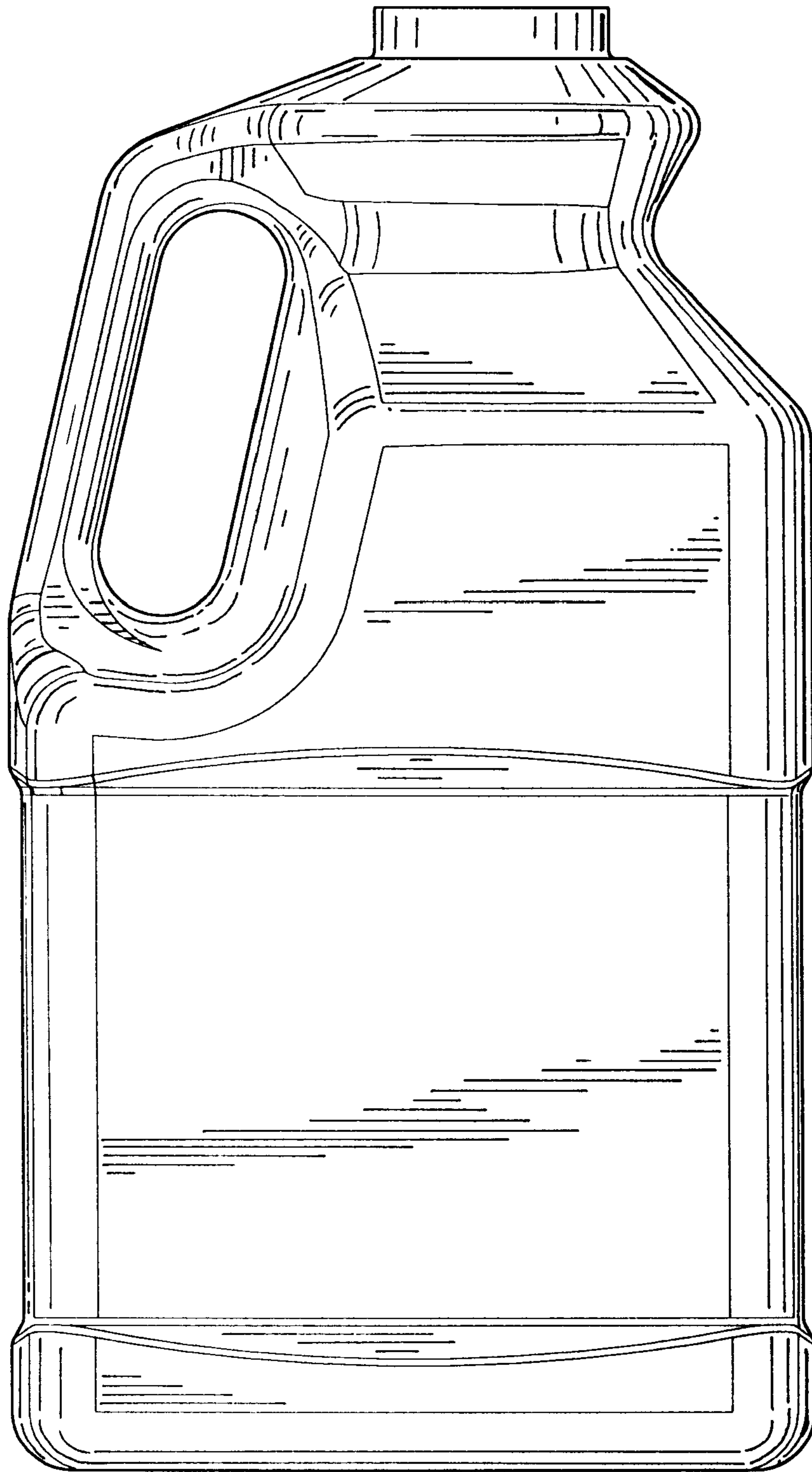


Fig. 3

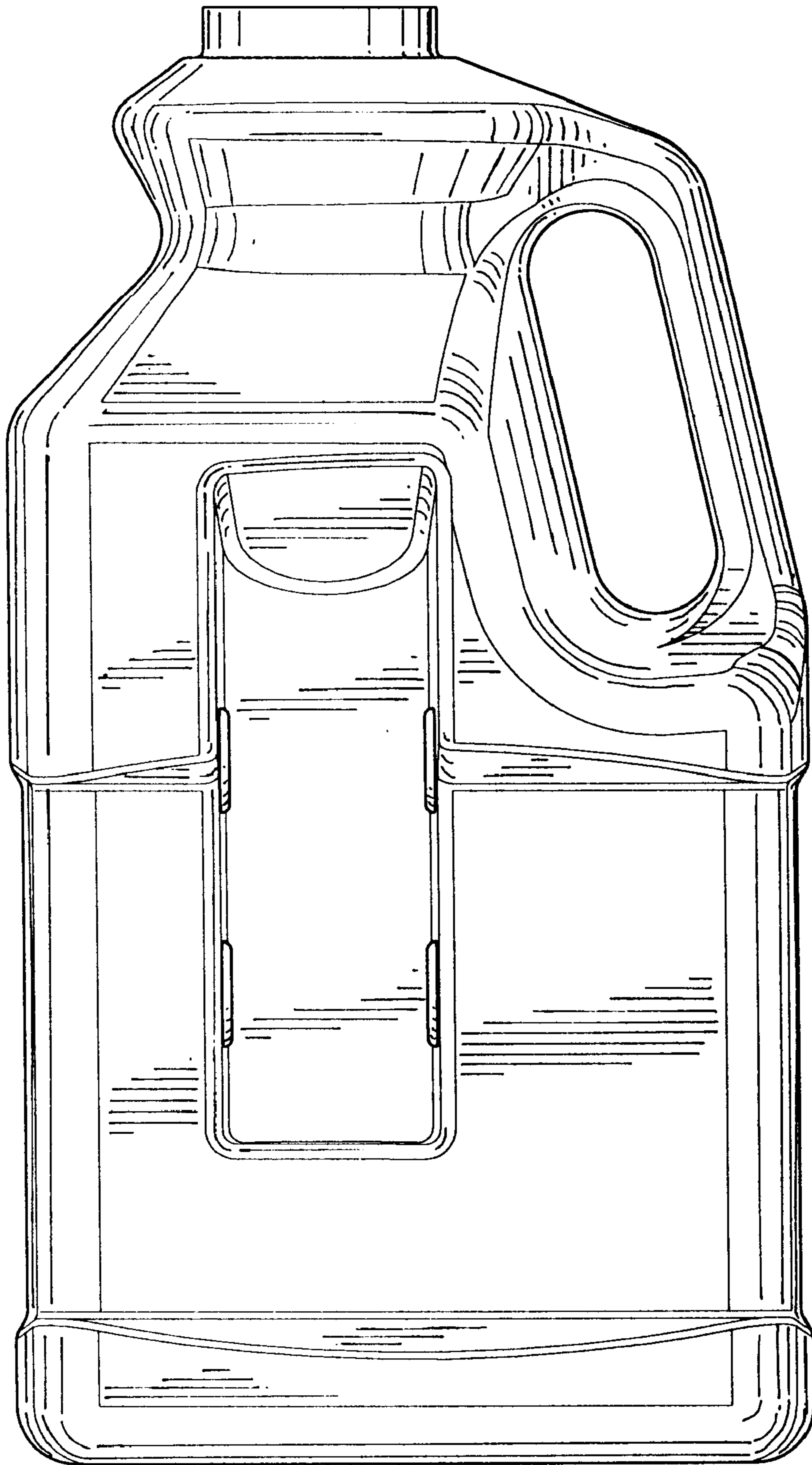


Fig. 4

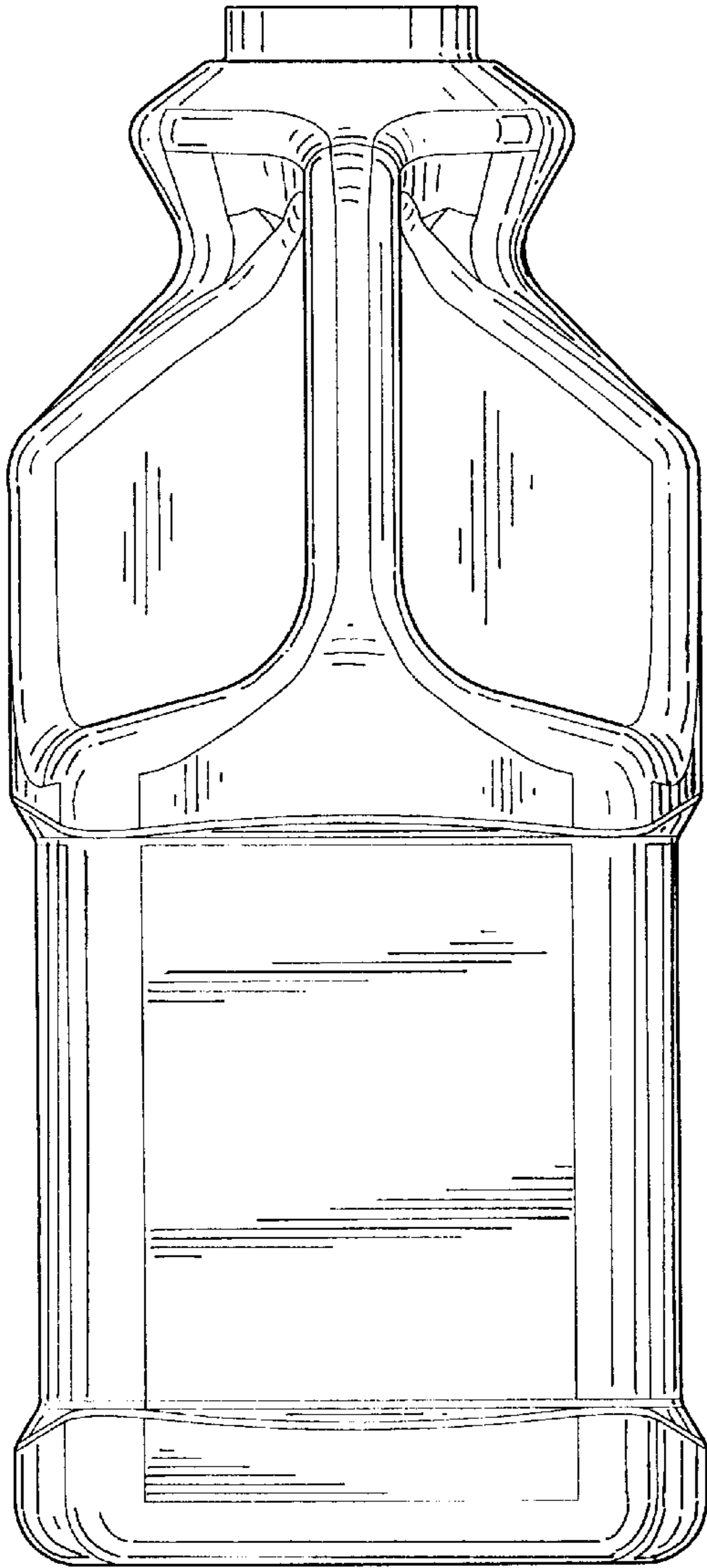


Fig. 5

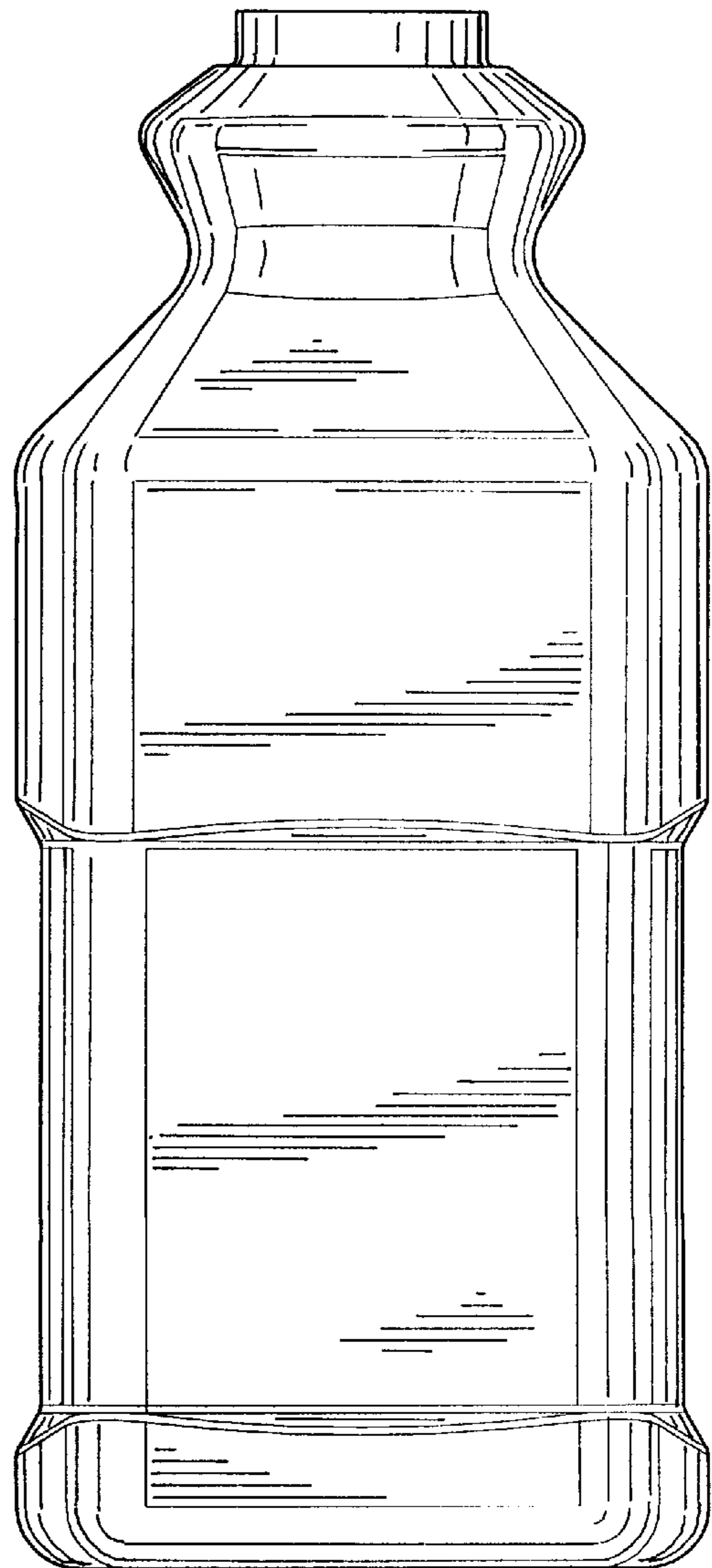


Fig. 6

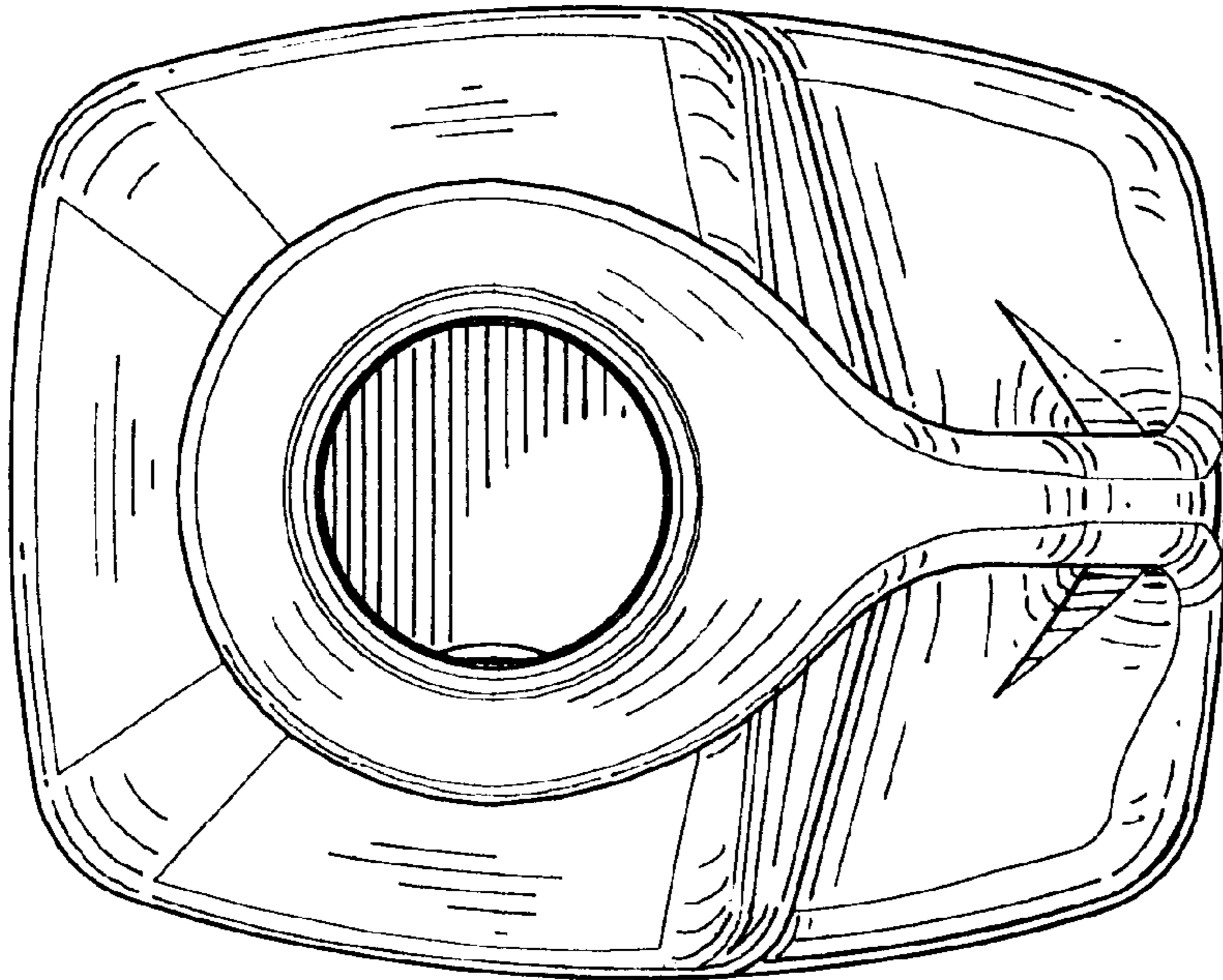


Fig. 7

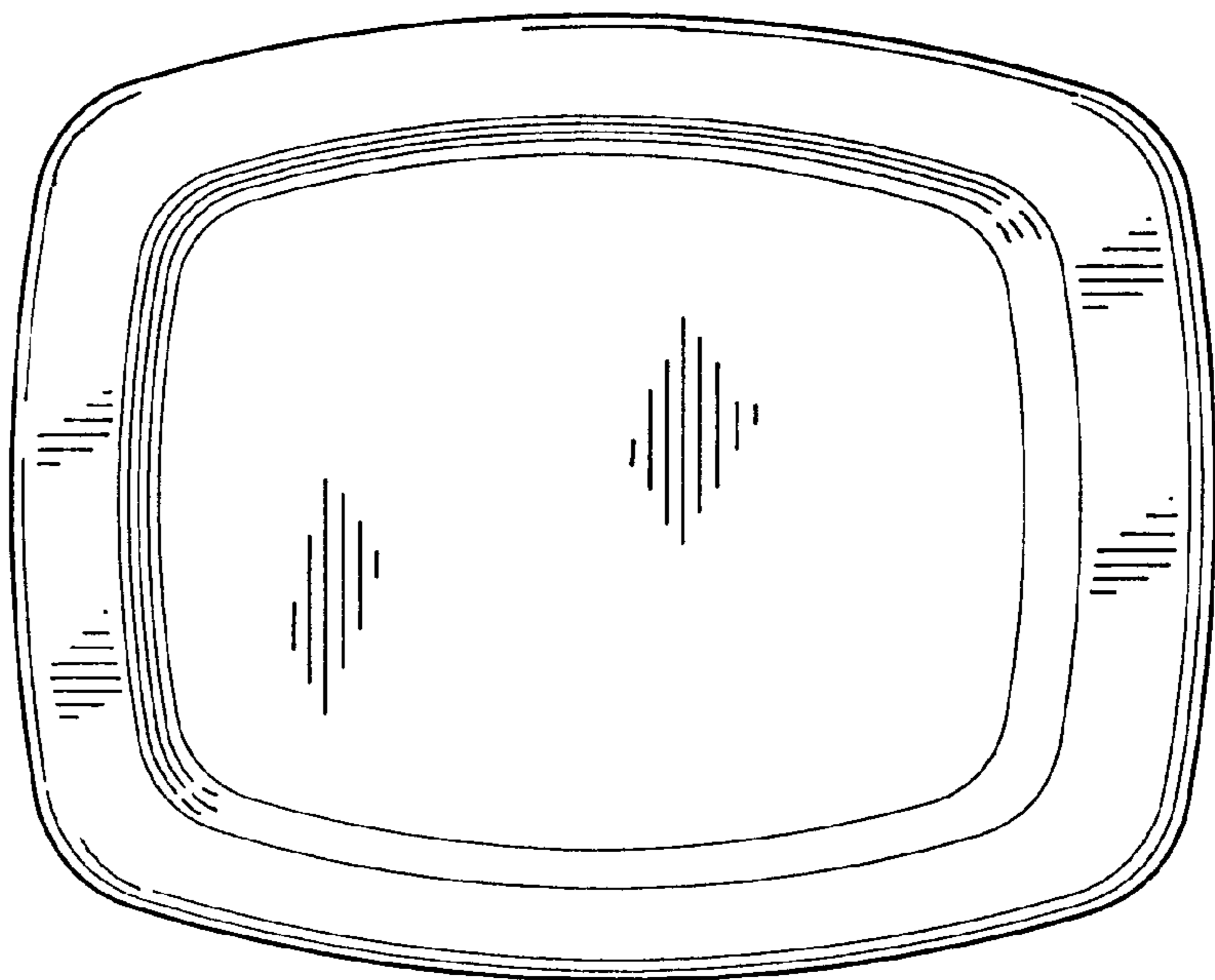


Fig. 8

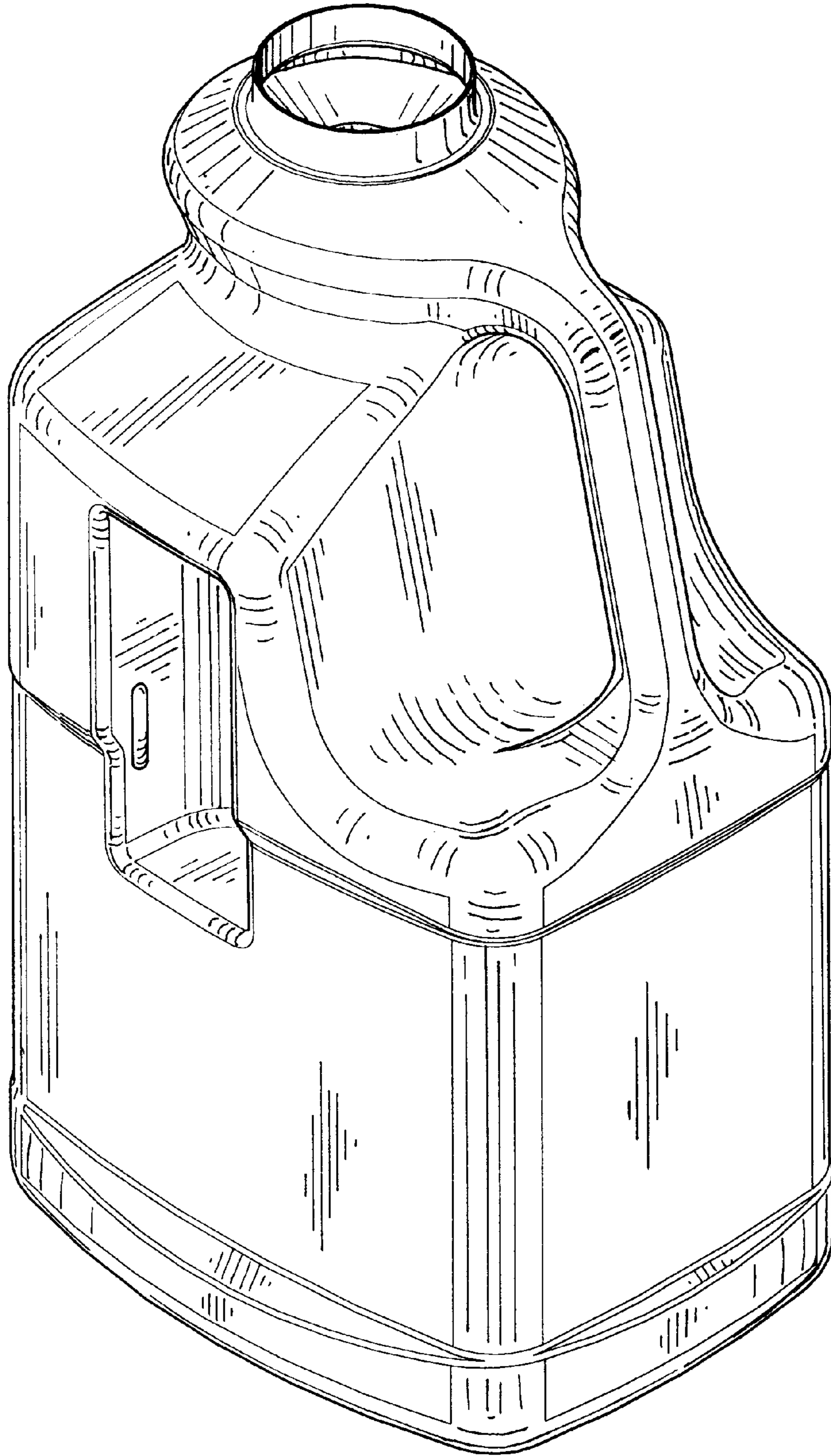


Fig. 9

