



US00D427911S

# United States Patent [19] Kilian

[11] Patent Number: **Des. 427,911**

[45] Date of Patent: **\*\* Jul. 11, 2000**

[54] CONTAINER

[76] Inventor: **Michael Tony Kilian**, 15 Riverview Rd., East Victoria Park WA, Australia, 6101

[\*\*] Term: **14 Years**

[21] Appl. No.: **29/077,494**

[22] Filed: **Oct. 2, 1997**

### [30] Foreign Application Priority Data

Apr. 9, 1997 [AU] Australia ..... 1092/1997

[51] LOC (7) Cl. .... **09-01**

[52] U.S. Cl. .... **D9/520; D9/539; D9/548**

[58] Field of Search ..... D9/538, 537, 539, D9/540, 548, 500, 503, 553, 520; 215/382, 383, 384

### [56] References Cited

#### U.S. PATENT DOCUMENTS

D. 214,159 5/1969 Hart et al. .... D9/503  
D. 221,885 9/1971 Gruett ..... D9/539

D. 236,433 8/1975 Strand ..... D9/500  
D. 246,029 10/1977 Lynn et al. .... D9/503  
D. 320,455 10/1991 Malcolm ..... D9/538  
D. 323,983 2/1992 Bastidos ..... D9/538  
D. 337,271 7/1993 Pezzoli et al. .... D9/548  
D. 345,503 3/1994 Murphy ..... D9/500

*Primary Examiner*—Lucy Lieberman  
*Attorney, Agent, or Firm*—Larson & Taylor, PLC

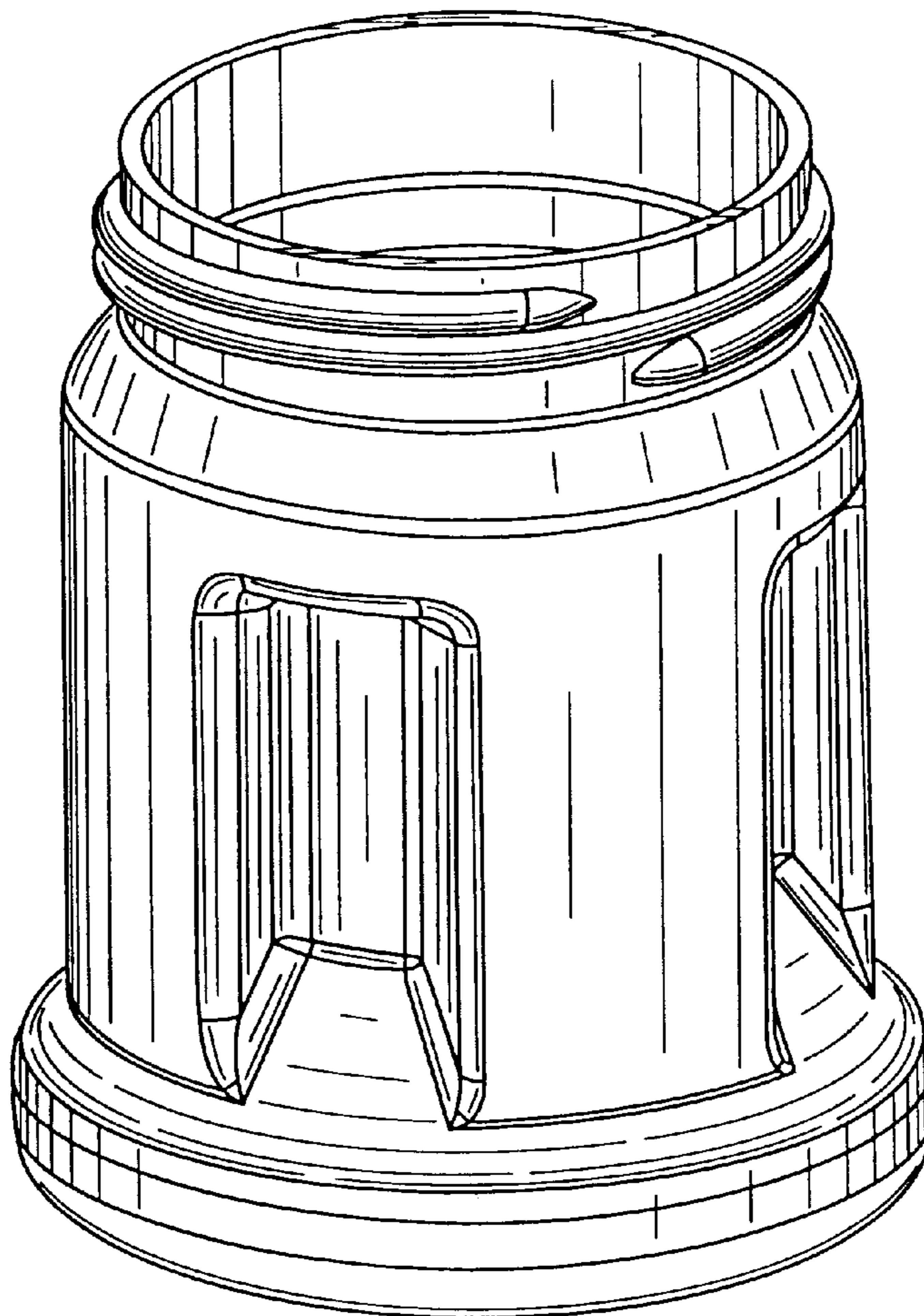
### [57] CLAIM

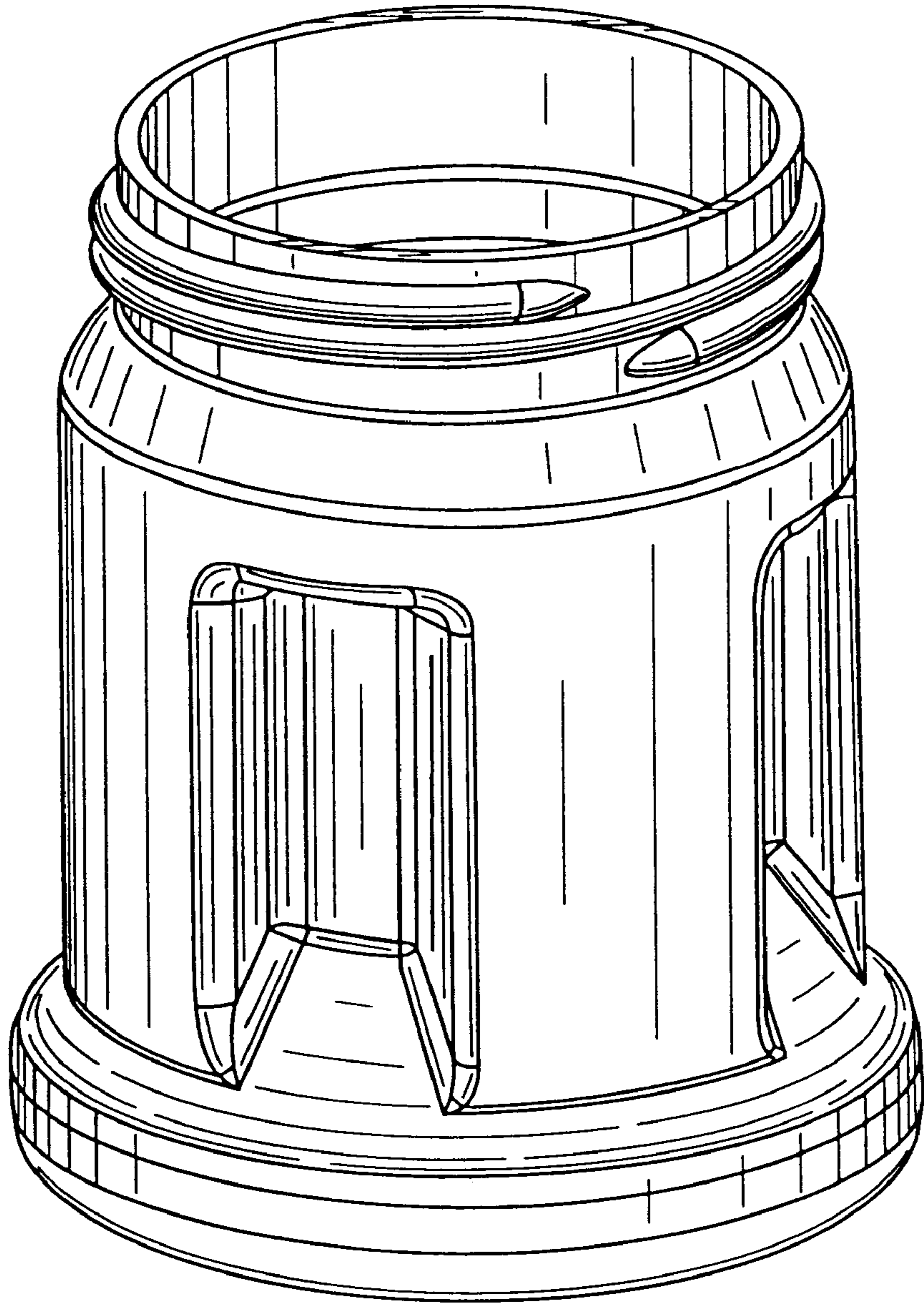
The ornamental design for a container, as shown and described.

### DESCRIPTION

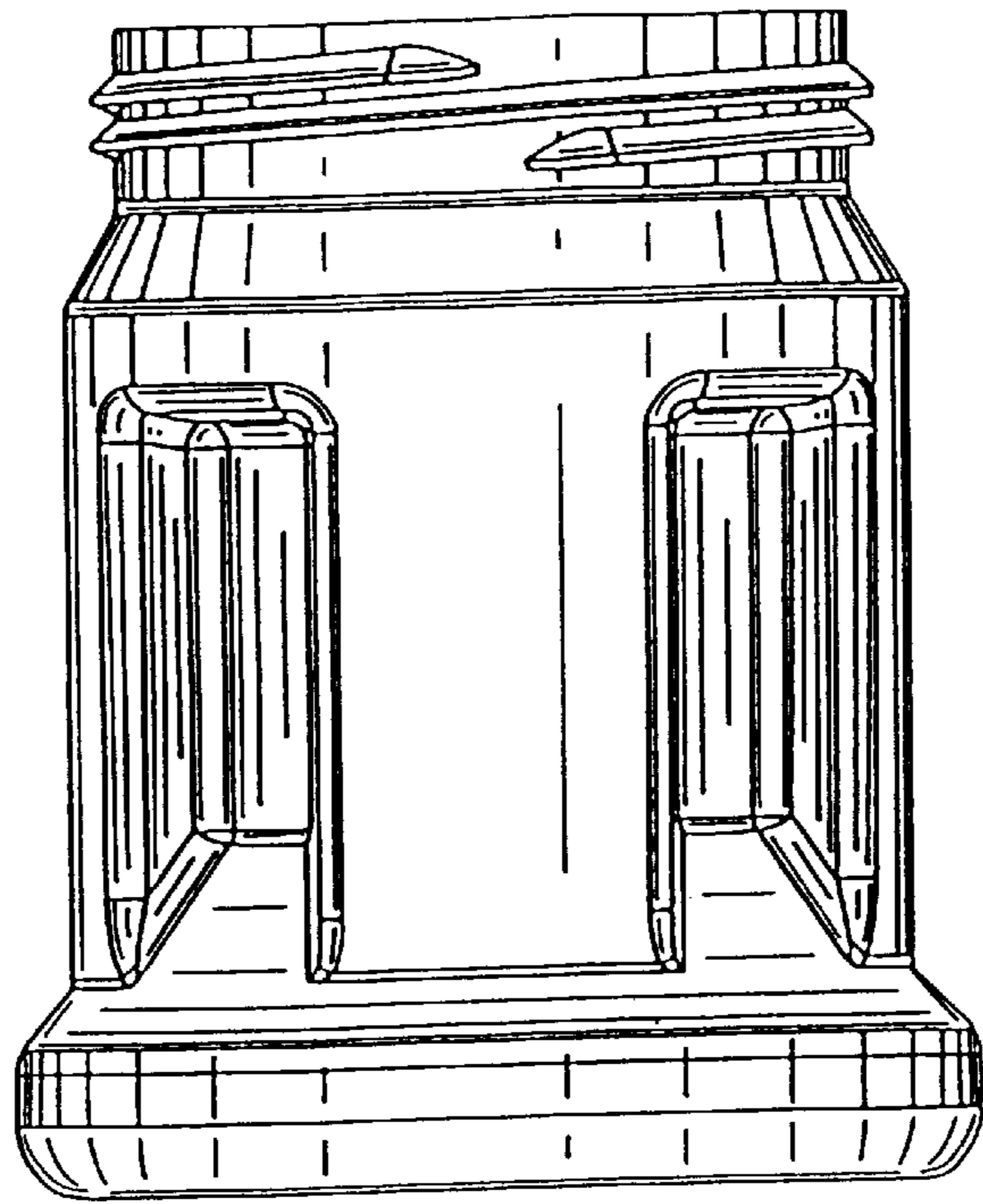
FIG. 1 is a perspective view of a container, in accordance with the present invention;  
FIG. 2 is a front elevation thereof, the rear elevation is the same except for the continuous screw threading on the neck;  
FIG. 3 is a side elevation thereof, the opposite side is the same except for the continuous screw threading on the neck;  
FIG. 4 is a top plan view of the container of FIG. 1; and,  
FIG. 5 is a bottom plan view of the container of FIG. 1.

**1 Claim, 3 Drawing Sheets**

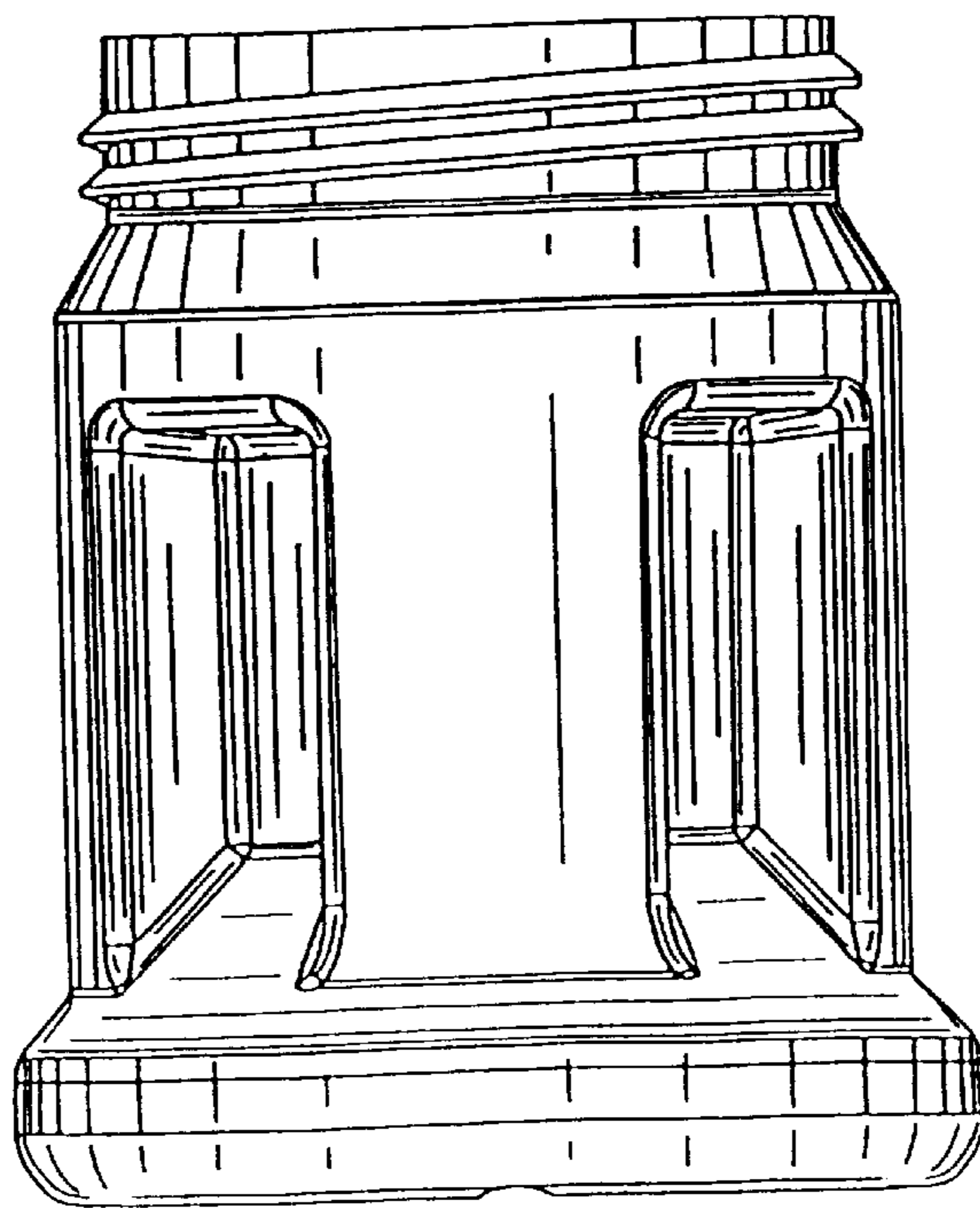




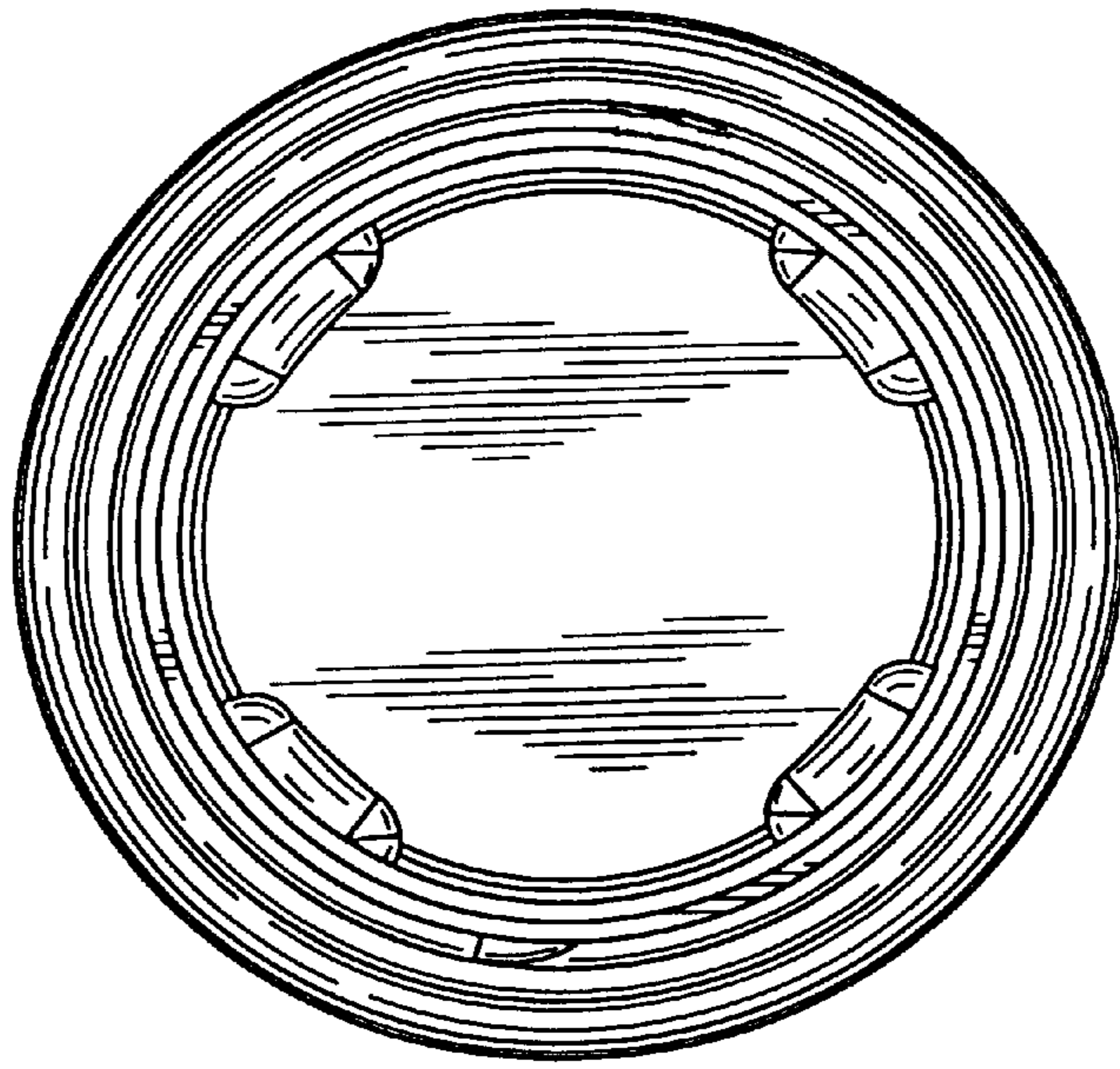
**FIG. 1**



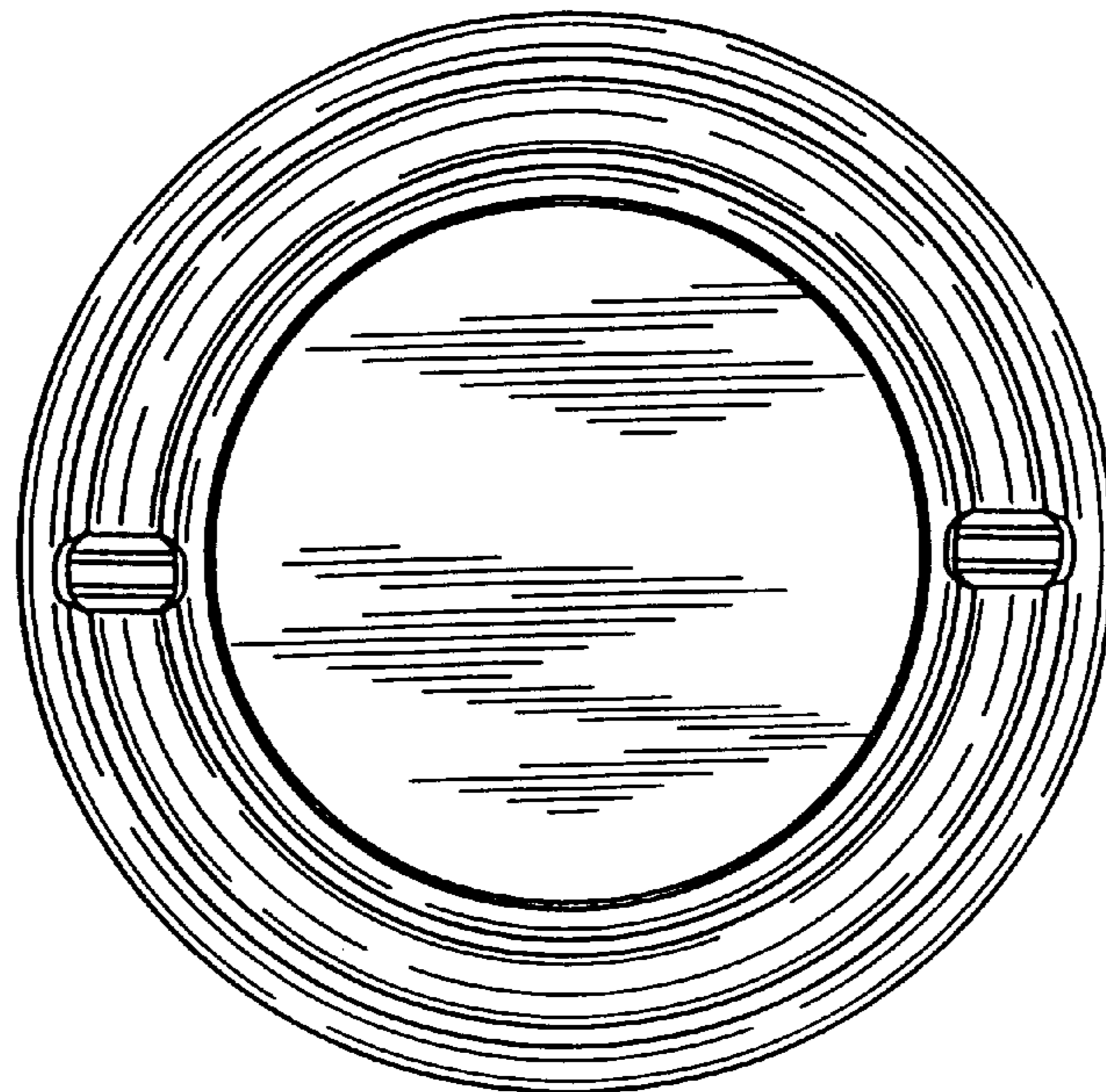
**FIG. 2**



**FIG. 3**



**FIG. 4**



**FIG. 5**