



US00D427901S

# United States Patent [19] Lentini

[11] Patent Number: **Des. 427,901**

[45] Date of Patent: **\*\* \*Jul. 11, 2000**

[54] **LOCKING BOX**

[75] Inventor: **Robert Lentini**, Pensacola, Fla.

[73] Assignee: **Daws Manufacturing Co., Inc.**,  
Pensacola, Fla.

[\*] Notice: This patent is subject to a terminal disclaimer.

[\*\*] Term: **14 Years**

[21] Appl. No.: **29/087,988**

[22] Filed: **May 13, 1998**

[51] **LOC (7) Cl.** ..... **09-07**

[52] **U.S. Cl.** ..... **D9/425; D9/420**

[58] **Field of Search** ..... D9/420-425, 435,  
D9/414; 206/457, 459.5; 220/253, 259,  
810, 833, 836, 351, 663, 1-5, 831, 832,  
835

[56] **References Cited**

**U.S. PATENT DOCUMENTS**

- D. 330,161 10/1992 Schuh ..... D9/423
- D. 366,830 2/1996 Christianson ..... D9/423

- 4,005,800 2/1977 Schurman ..... 220/831
- 4,819,824 4/1989 Longbottom et al. .... 220/783 X
- 4,971,220 11/1990 Kaufman et al. .... 220/832
- 5,036,997 8/1991 May et al. .... 220/832
- 5,366,104 11/1994 Armstrong ..... 220/4.22 X
- 5,730,310 3/1998 Yoshihara ..... 220/835

*Primary Examiner*—Prabhakar Deshmukh  
*Attorney, Agent, or Firm*—Finnegan, Henderson, Farabow,  
Garrett & Dunner

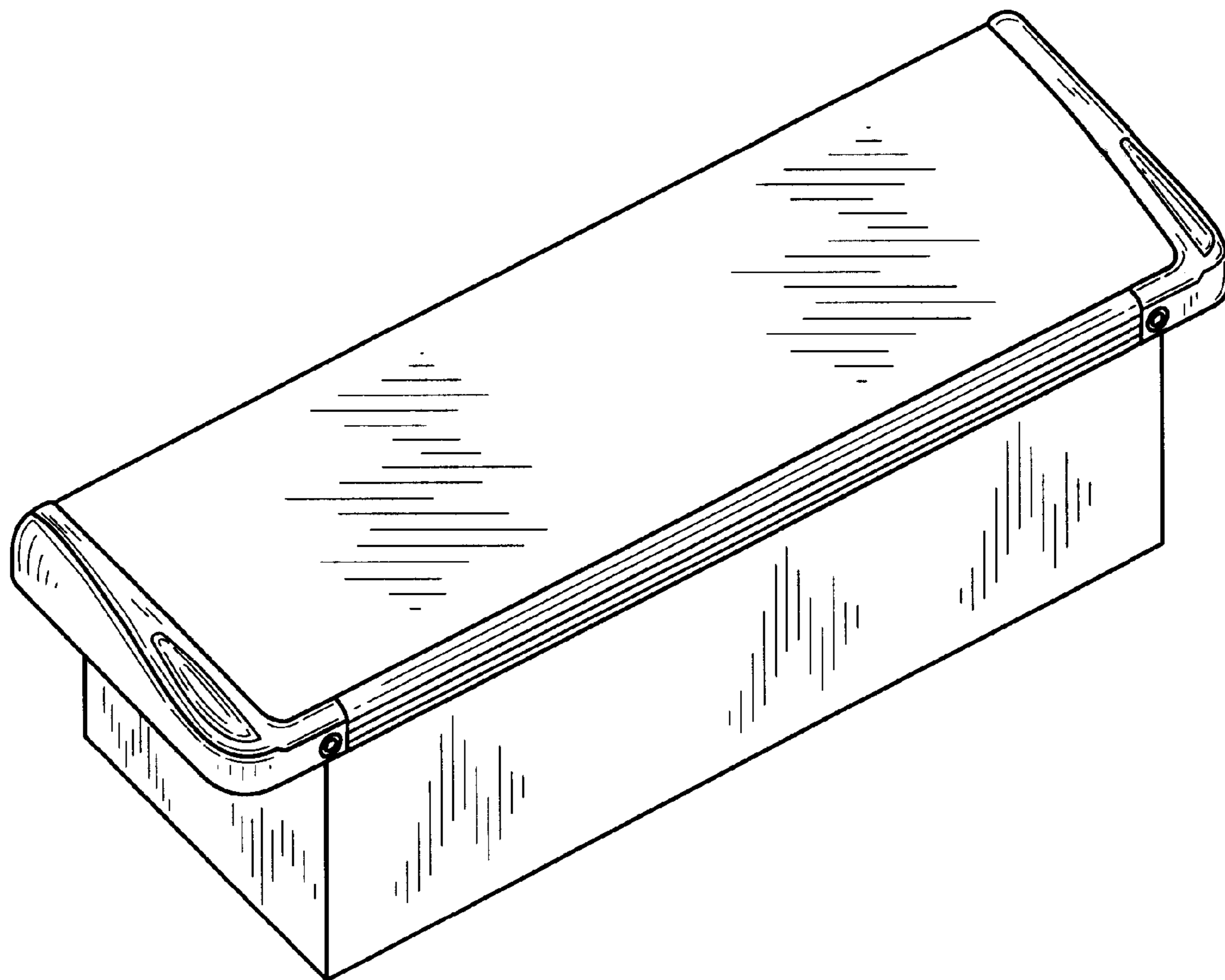
[57] **CLAIM**

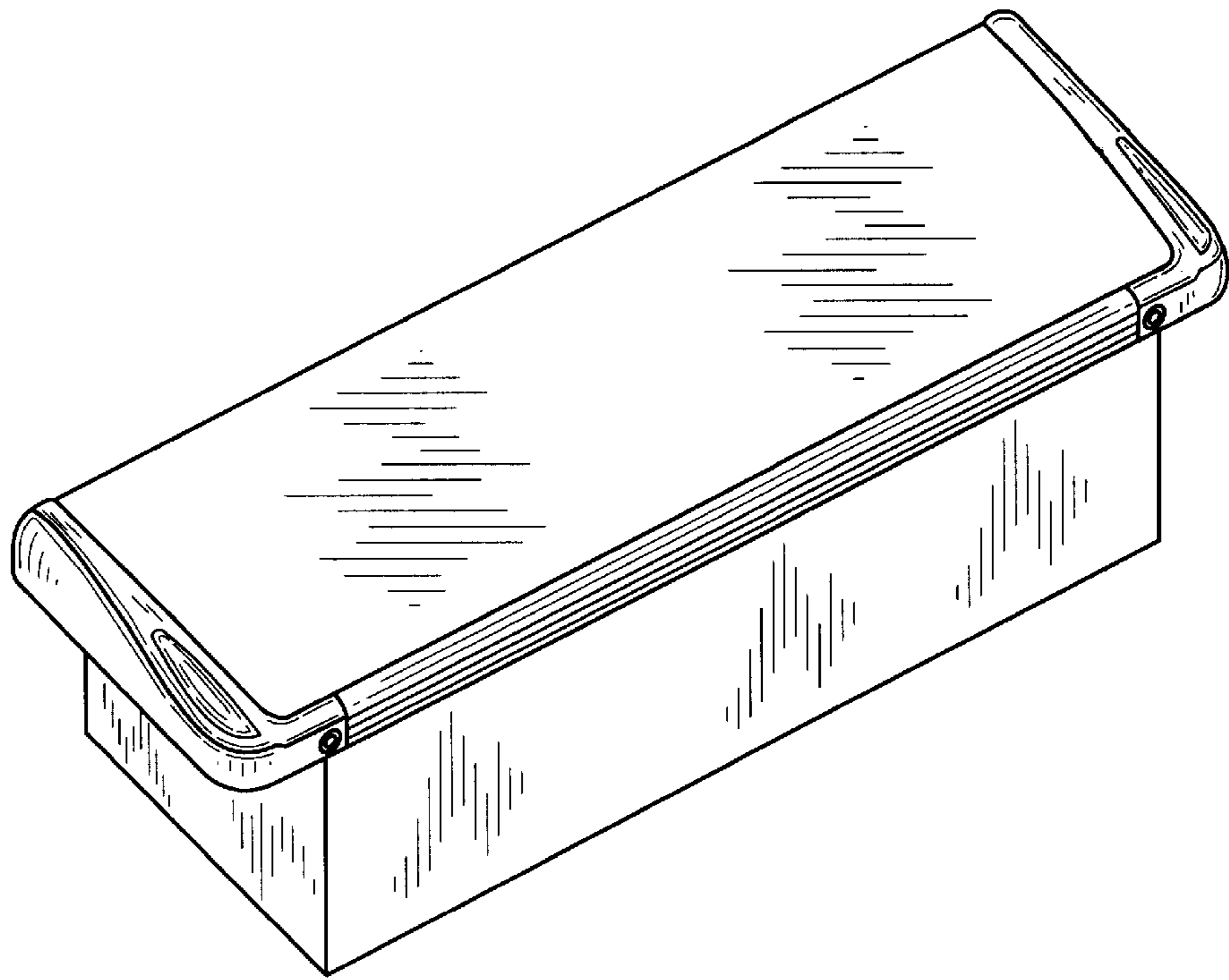
The ornamental design for a locking box, as shown and described.

**DESCRIPTION**

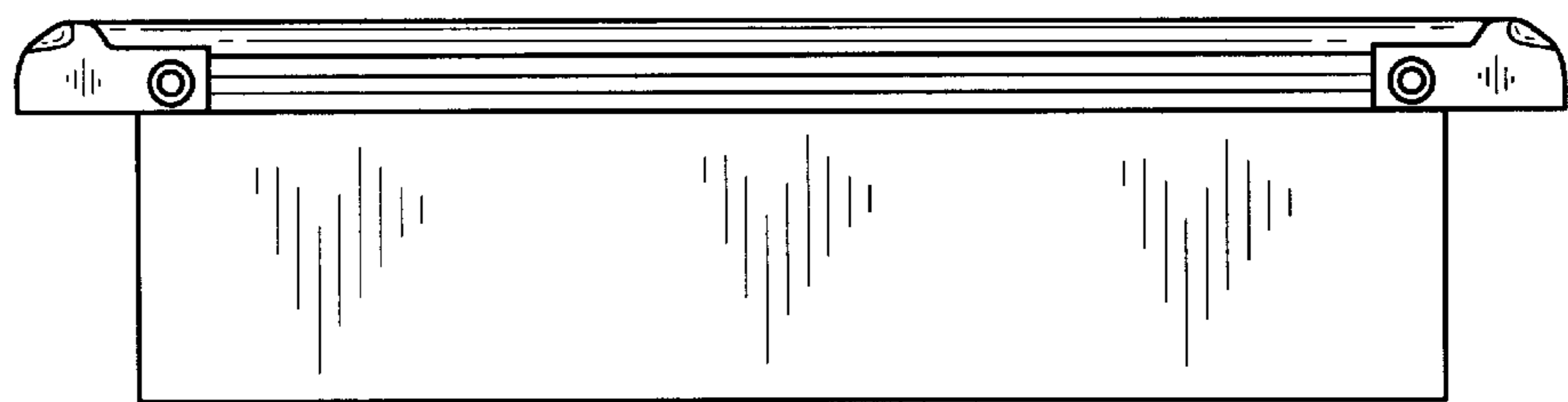
FIG. 1 is a perspective view of the locking box, showing the lid and the body of the box.  
 FIG. 2 is a front elevation view of the box depicted in FIG. 1.  
 FIG. 3 is a rear elevation view of the box depicted in FIG. 1.  
 FIG. 4 is a side elevation view of the box depicted in FIG. 1.  
 FIG. 5 is a top plan view of the box depicted in FIG. 1; and,  
 FIG. 6 is a bottom plan view of the box depicted in FIG. 1.

**1 Claim, 2 Drawing Sheets**

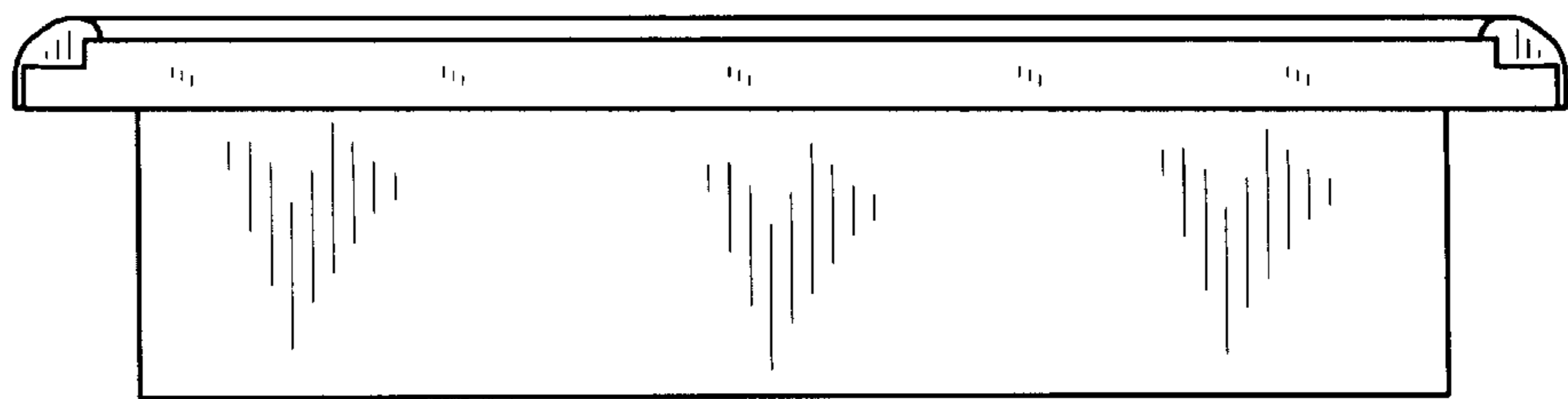




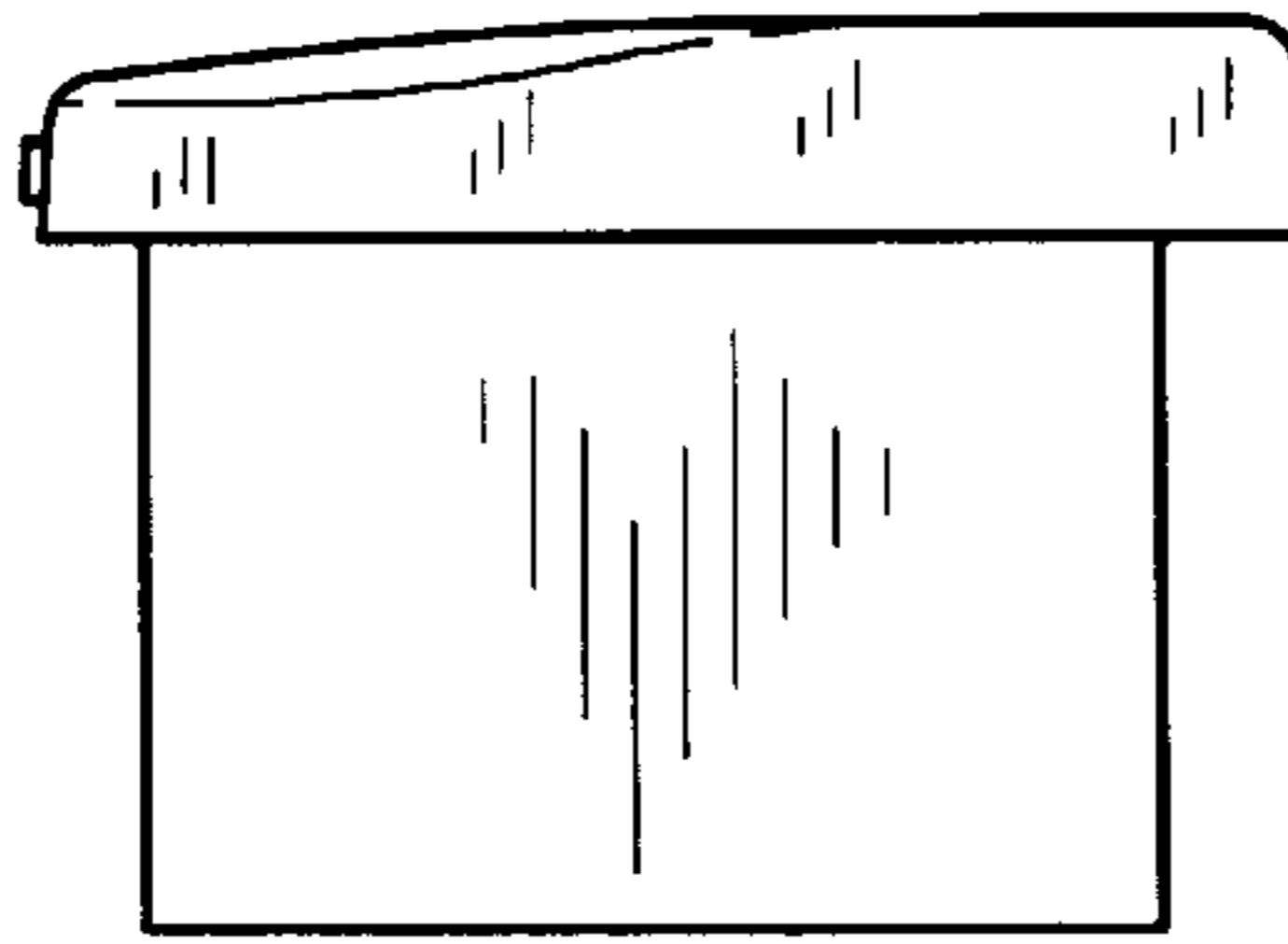
**FIG. 1**



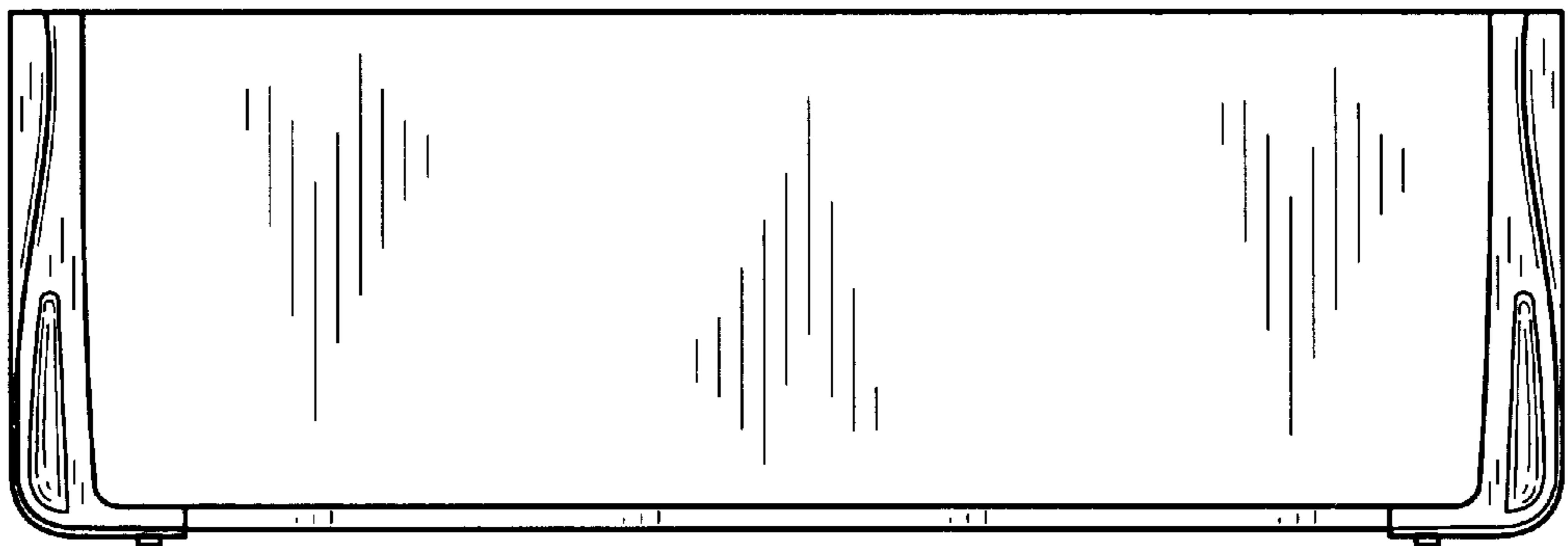
**FIG. 2**



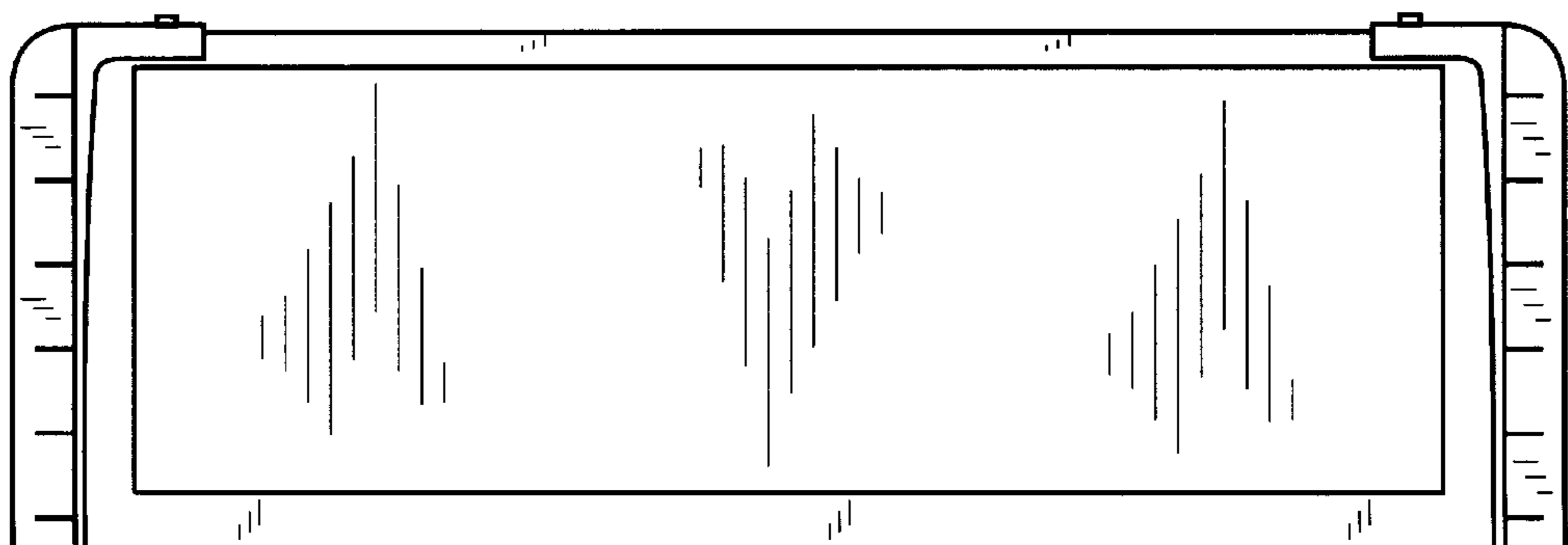
**FIG. 3**



**FIG. 4**



**FIG. 5**



**FIG. 6**