



US00D427900S

# United States Patent [19] O'Malley et al.

[11] **Patent Number: Des. 427,900**  
[45] **Date of Patent: \*\* Jul. 11, 2000**

[54] **DISPLAY PACKAGE**

[75] Inventors: **Gina O'Malley**, Phoenix; **Daniel G. Findle**, White Hall, both of Md.; **David A. Evans, Sr.**, Hanover, Pa.

[73] Assignee: **Black & Decker Inc.**, Newark, Del.

[\*\*] Term: **14 Years**

[21] Appl. No.: **29/104,324**

[22] Filed: **May 3, 1999**

[51] **LOC (7) Cl.** ..... **09-07**

[52] **U.S. Cl.** ..... **D9/415; D9/418**

[58] **Field of Search** ..... D9/414, 415, 418,  
D9/456, 457, 337; 206/461-471, 495, 806,  
769-778

[56] **References Cited**

**U.S. PATENT DOCUMENTS**

D. 268,331	3/1983	Kay et al. ....	D9/415
D. 305,000	12/1989	Hernandez .....	D9/415
D. 371,071	6/1996	Ford .....	D9/415
1,500,136	7/1924	Knowlton .	
1,585,846	5/1926	Frisbie .	
2,950,004	8/1960	Acomb .	
3,109,539	11/1963	Turoff .	
3,289,830	12/1966	Foote .....	206/469
3,407,928	10/1968	Watts, Jr. ....	206/463
3,534,358	10/1970	Stern .	
3,776,375	12/1973	Rohdin .	
3,825,112	7/1974	Shumaker et al. .	
3,899,100	8/1975	Rigaud .	
3,949,872	4/1976	Paudras .	
4,005,776	2/1977	Seeley .	
4,020,694	5/1977	Mayhew .	
4,046,251	9/1977	Bruml .....	206/463
4,084,690	4/1978	Pulse .	
4,261,462	4/1981	Wysocki .....	206/463
4,324,331	4/1982	Ignasiak .	
4,449,629	5/1984	Barrieau .	
4,499,353	2/1985	Shields .	
4,588,082	5/1986	Ridings .	

4,619,364	10/1986	Czopor, Jr. .	
4,687,129	8/1987	Cugley .	
4,702,373	10/1987	Meade .	
4,877,130	10/1989	Matuz .	
4,903,829	2/1990	Clemens .	
4,921,096	5/1990	McFarlane .	
5,133,454	7/1992	Hammer .	
5,209,354	5/1993	Thornhill et al. ....	206/461 X
5,238,107	8/1993	Kownacki .	
5,322,162	6/1994	Melk .	
5,456,057	10/1995	Bannon et al. .	
5,586,657	12/1996	Ward et al. .	
5,595,295	1/1997	Lin .	
5,601,188	2/1997	Dressen et al. .	
5,713,463	2/1998	Lakoski et al. .	
5,823,350	10/1998	Ward .	
5,871,100	2/1999	Ward .	
5,878,886	3/1999	Marshall .	

**FOREIGN PATENT DOCUMENTS**

0 559 443 B1	8/1993	European Pat. Off. .
820419	11/1951	Germany .

**OTHER PUBLICATIONS**

Modern Packaging Catalog, p. 300, Jan. 1941.  
Techform Inc., Nov. 1982.

*Primary Examiner*—Phabhakar Deshmukh  
*Attorney, Agent, or Firm*—Harness, Dickey & Pierce, P.L.C.

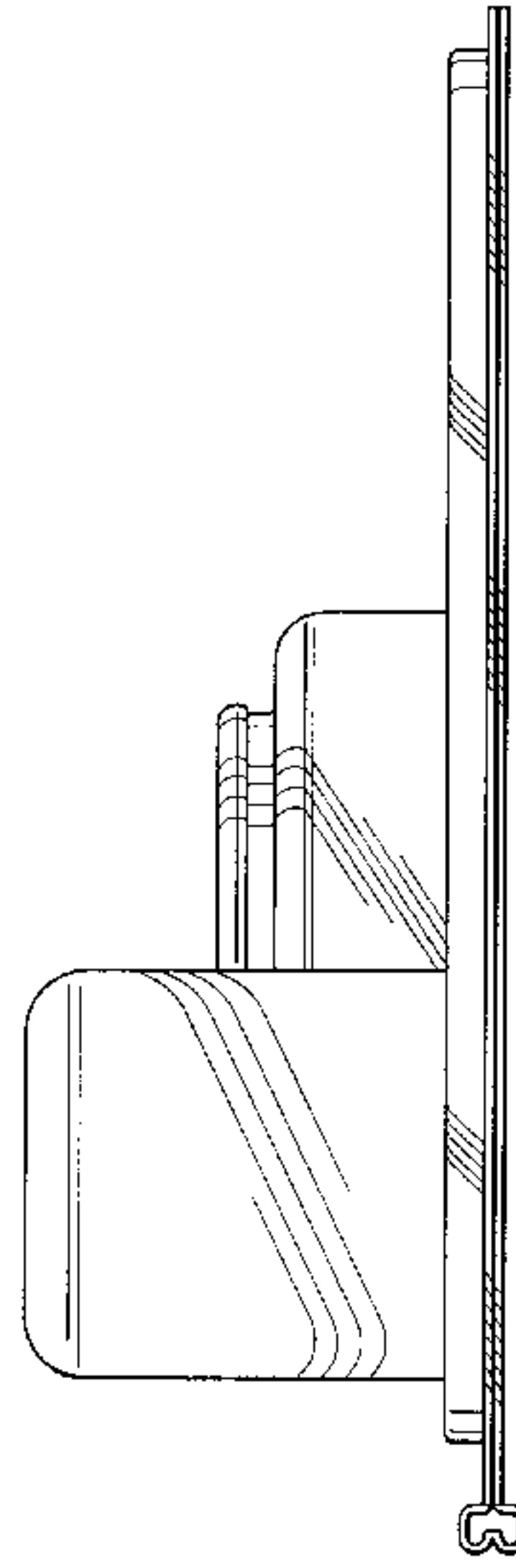
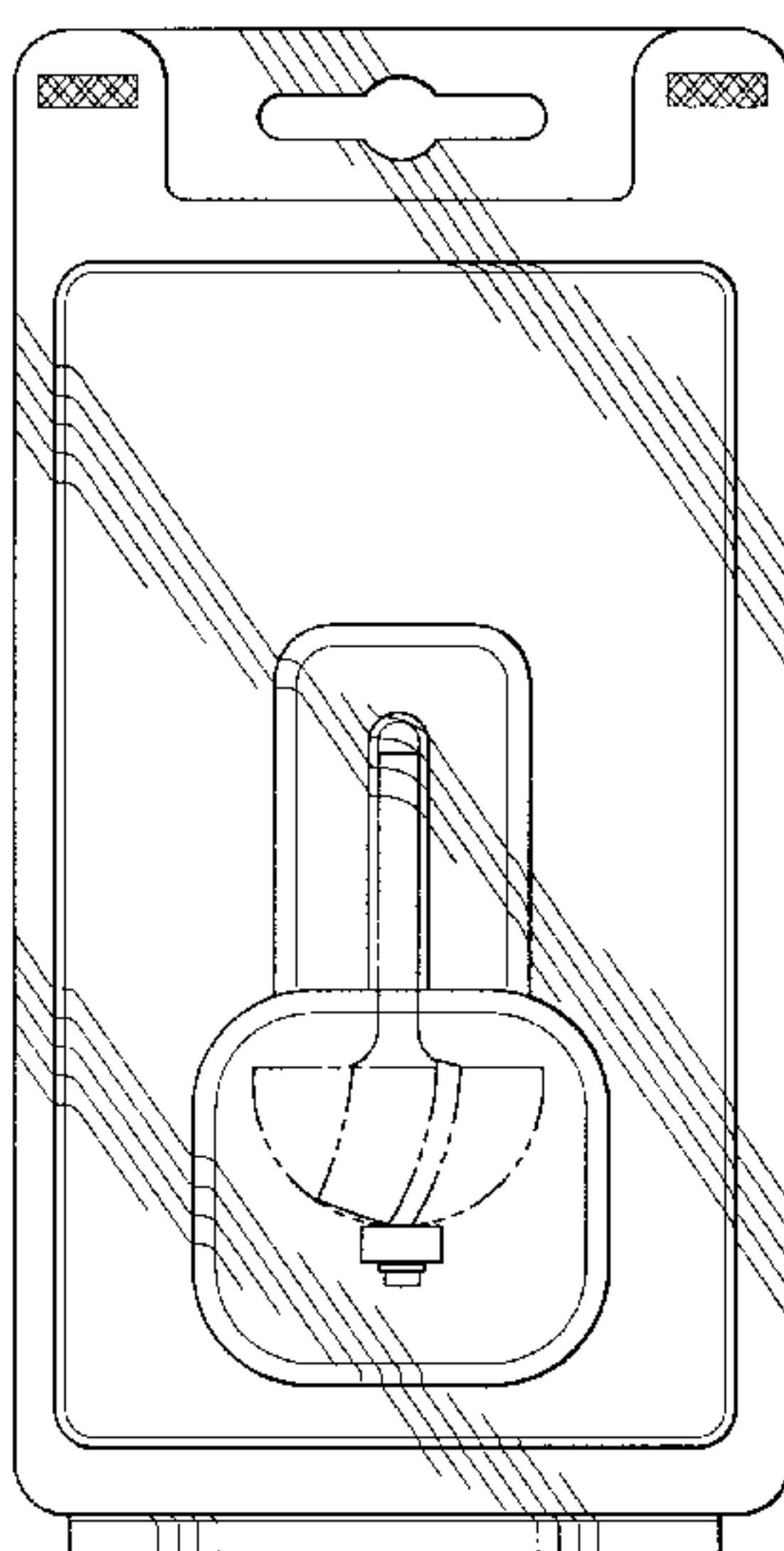
[57] **CLAIM**

The ornamental design for a display package, substantially as shown and described.

**DESCRIPTION**

FIG. 1 front view of the display package in its closed condition;  
FIG. 2 is a rear view thereof;  
FIG. 3 is a left side view thereof; the right side view being a mirror image thereof;  
FIG. 4 is a top view thereof;  
FIG. 5 is a bottom view thereof;  
FIG. 6 is a view of the display package in its open condition.

**1 Claim, 3 Drawing Sheets**



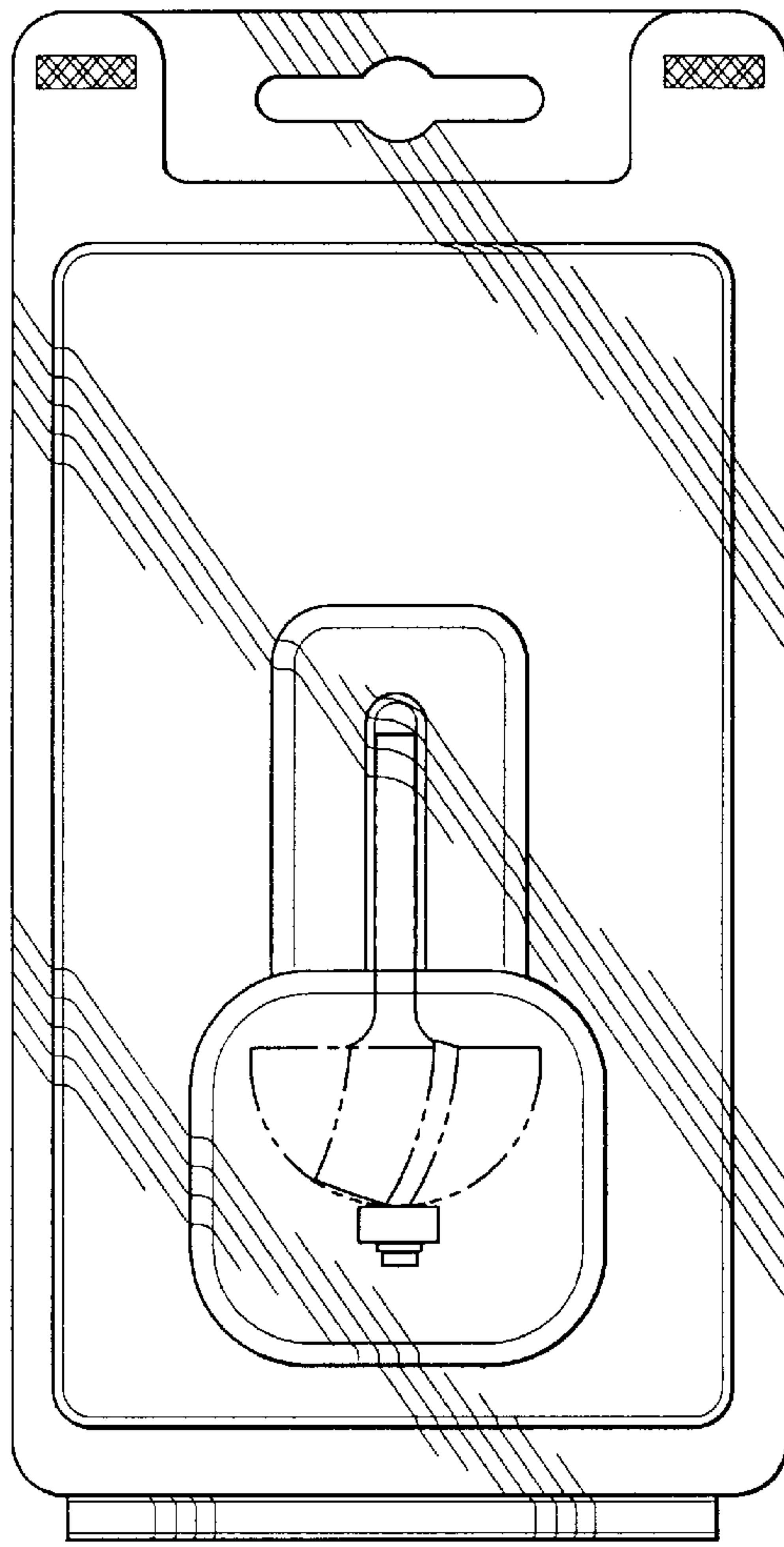


Fig-1

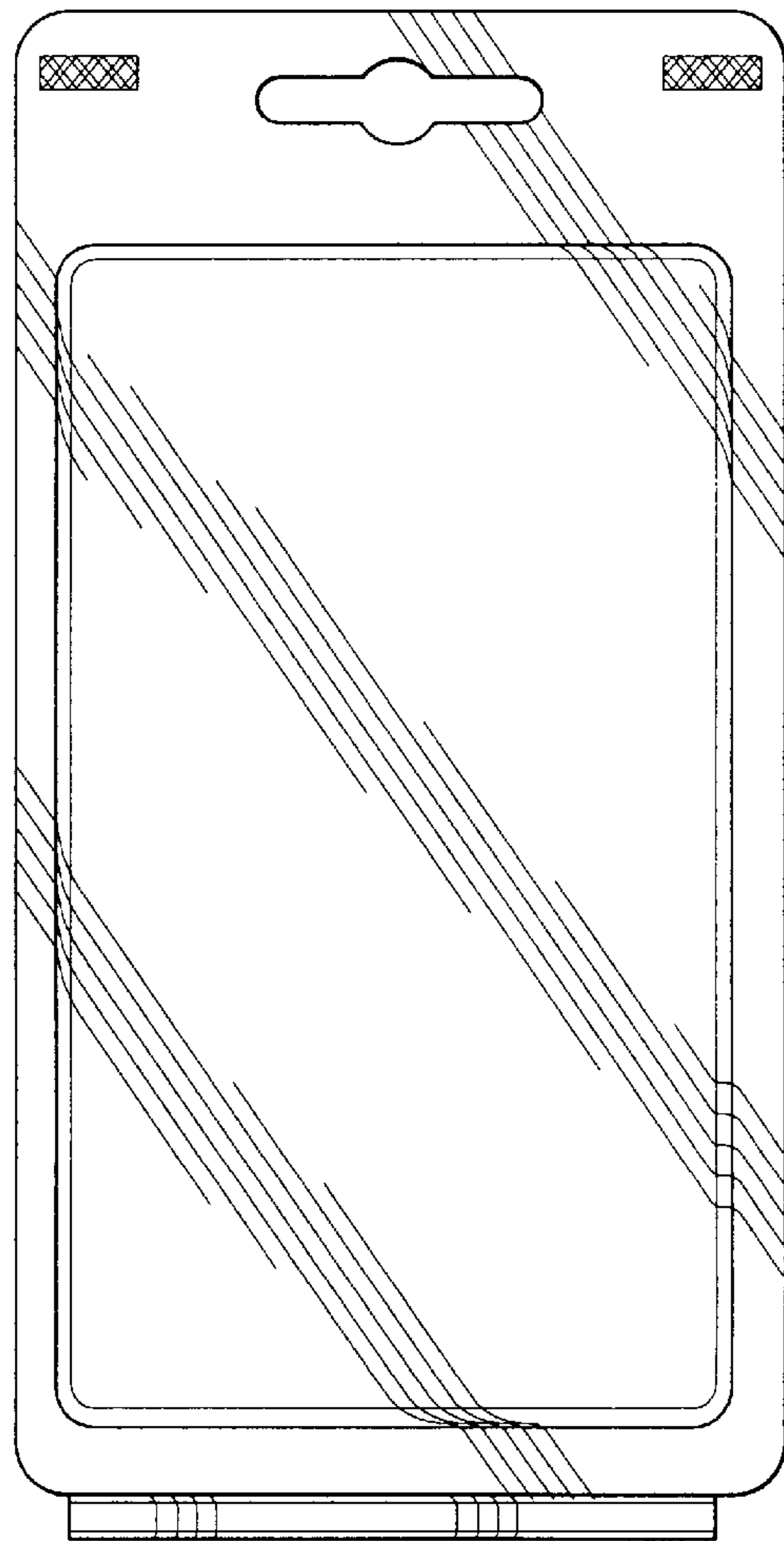


Fig-2

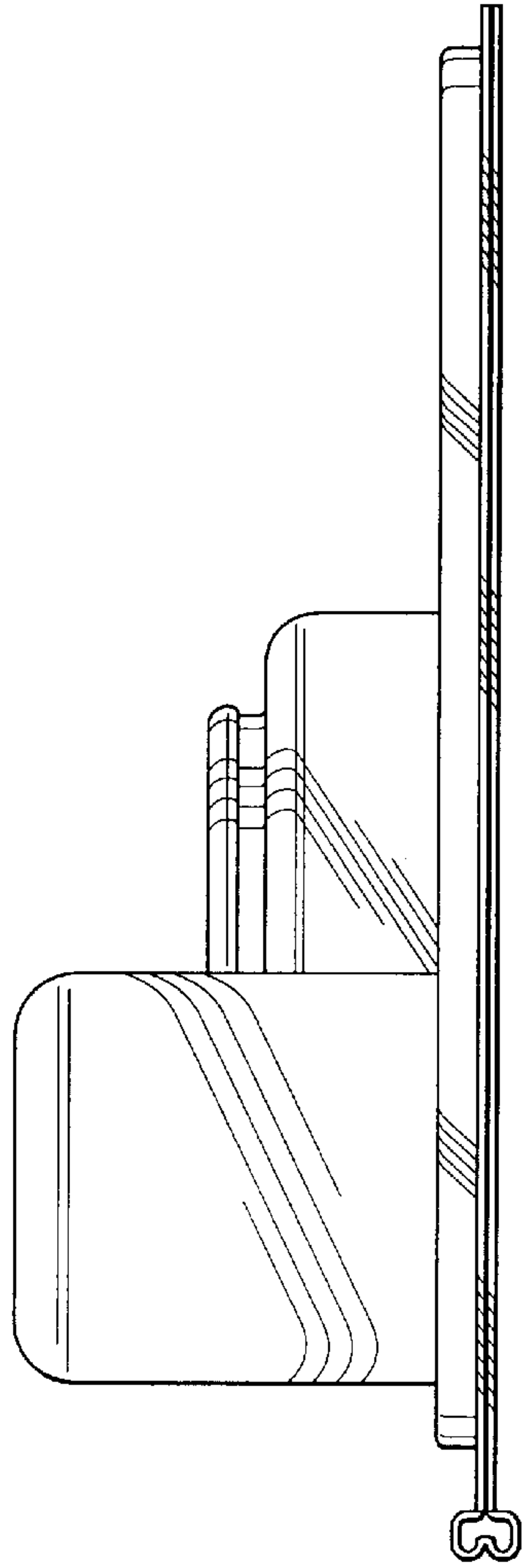


Fig-3

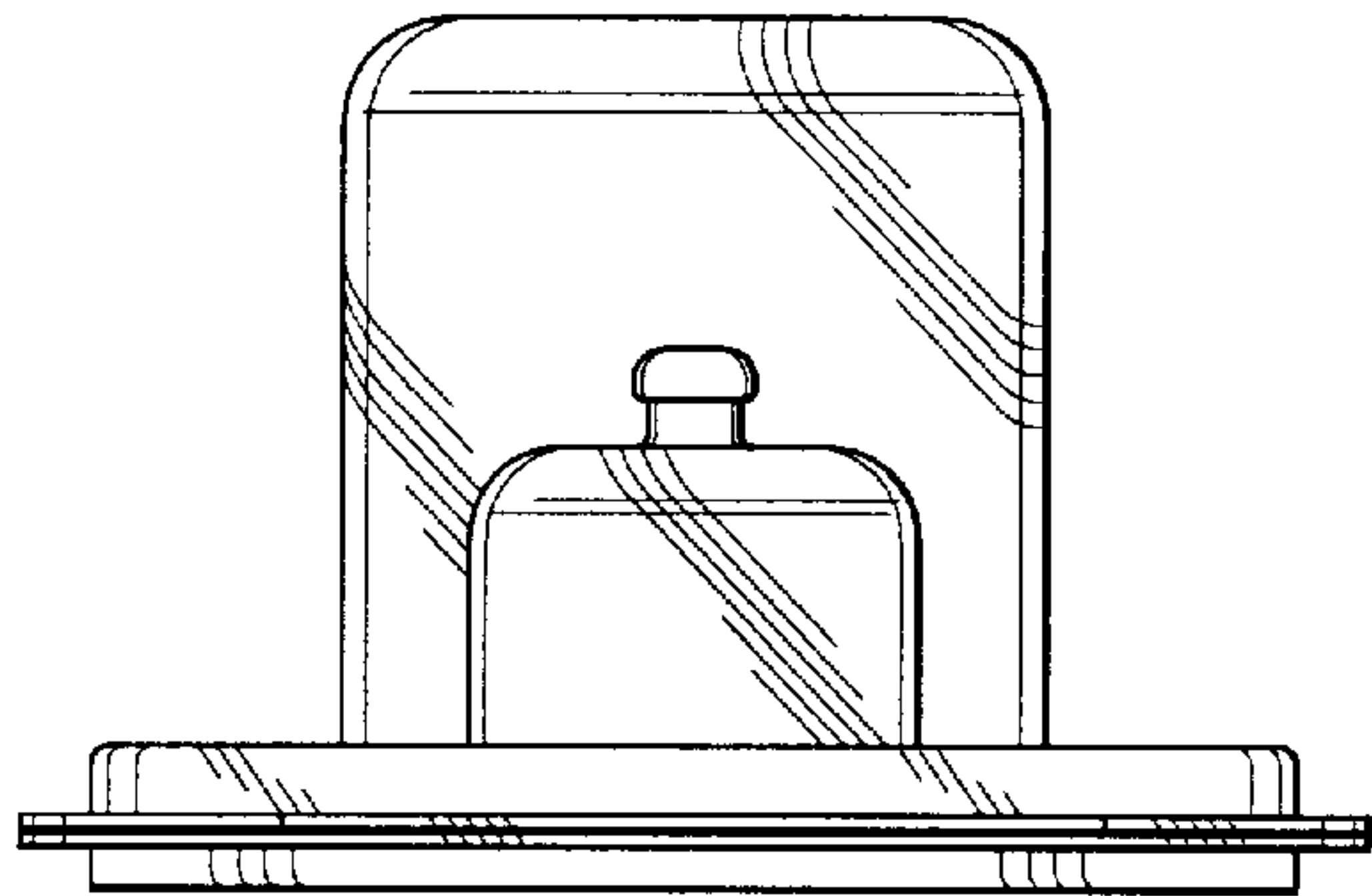


Fig-4

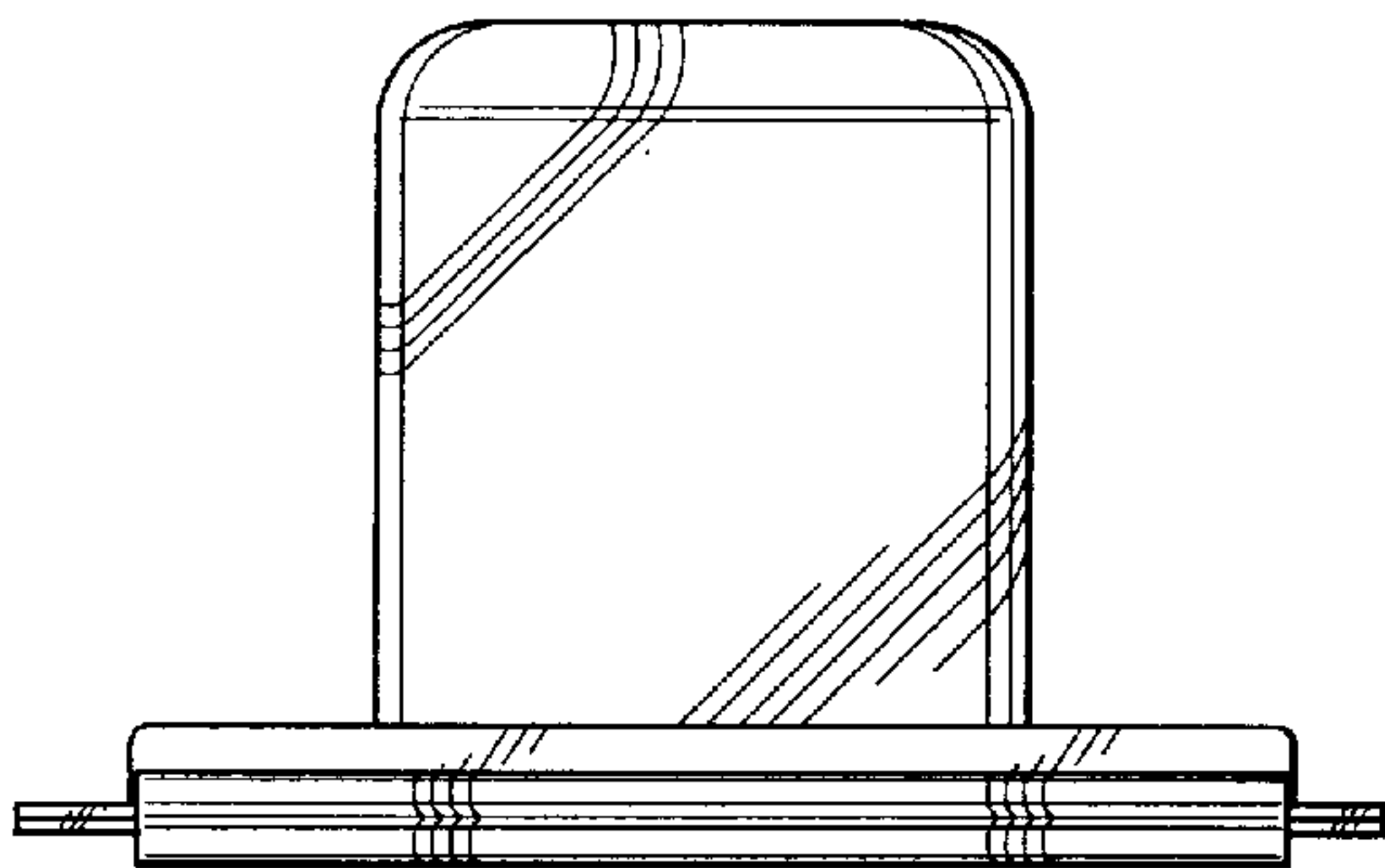


Fig-5

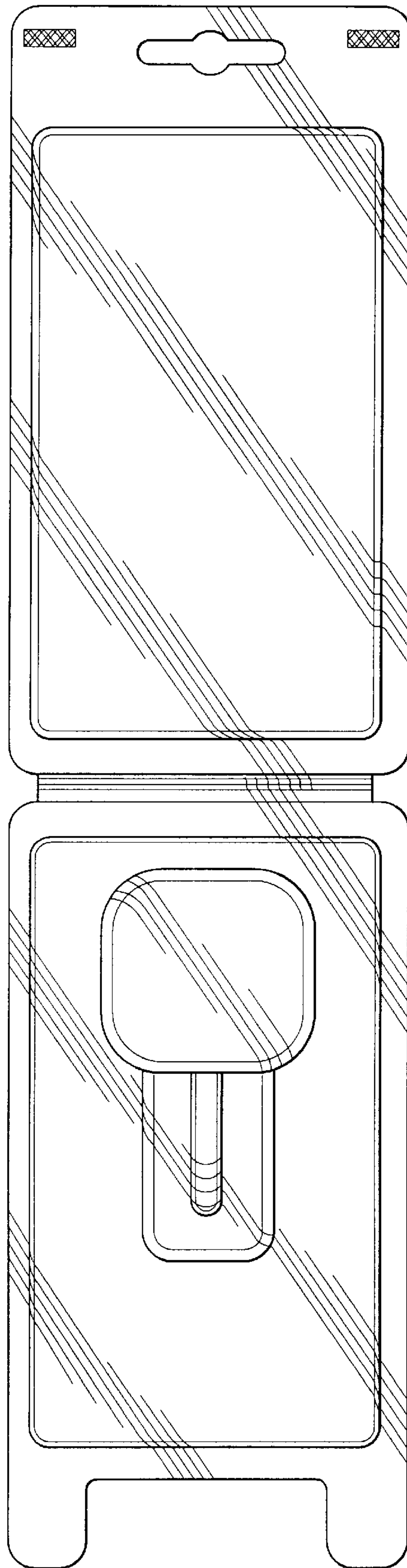


Fig-6