



US00D427899S

United States Patent [19]

Bougamont et al.

[11] Patent Number: Des. 427,899

[45] Date of Patent: ** Jul. 11, 2000

[54] VIAL PUMP

[75] Inventors: **Jean-Louis Bougamont; Pierre Dumont**, both of Eu; **Christophe Roy**, Dieppe, all of France

[73] Assignee: **SOFAB**, Le Treport, France

[**] Term: **14 Years**

[21] Appl. No.: **29/103,662**

[22] Filed: **Apr. 20, 1999**

[30] **Foreign Application Priority Data**

Oct. 22, 1998 [XH] Hague Agreement DM/046 400

[51] **LOC (7) Cl.** **09-01**

[52] **U.S. Cl.** **D9/300**

[58] **Field of Search** D9/300, 504, 529, D9/448; D24/108, 110; 222/320, 321.1, 321.7, 321.8, 321.9, 402.1, 402.13

[56] **References Cited**

U.S. PATENT DOCUMENTS

- D. 326,053 5/1992 Waine et al. D9/529
- D. 388,707 1/1998 De LaForcade D9/448
- D. 401,150 11/1998 De LaForcade D9/448

D. 401,501 11/1998 Nagayoshi D9/300

Primary Examiner—Cathron B. Matta
Attorney, Agent, or Firm—Weingarten, Schurgin, Gagnebin & Hayes LLP

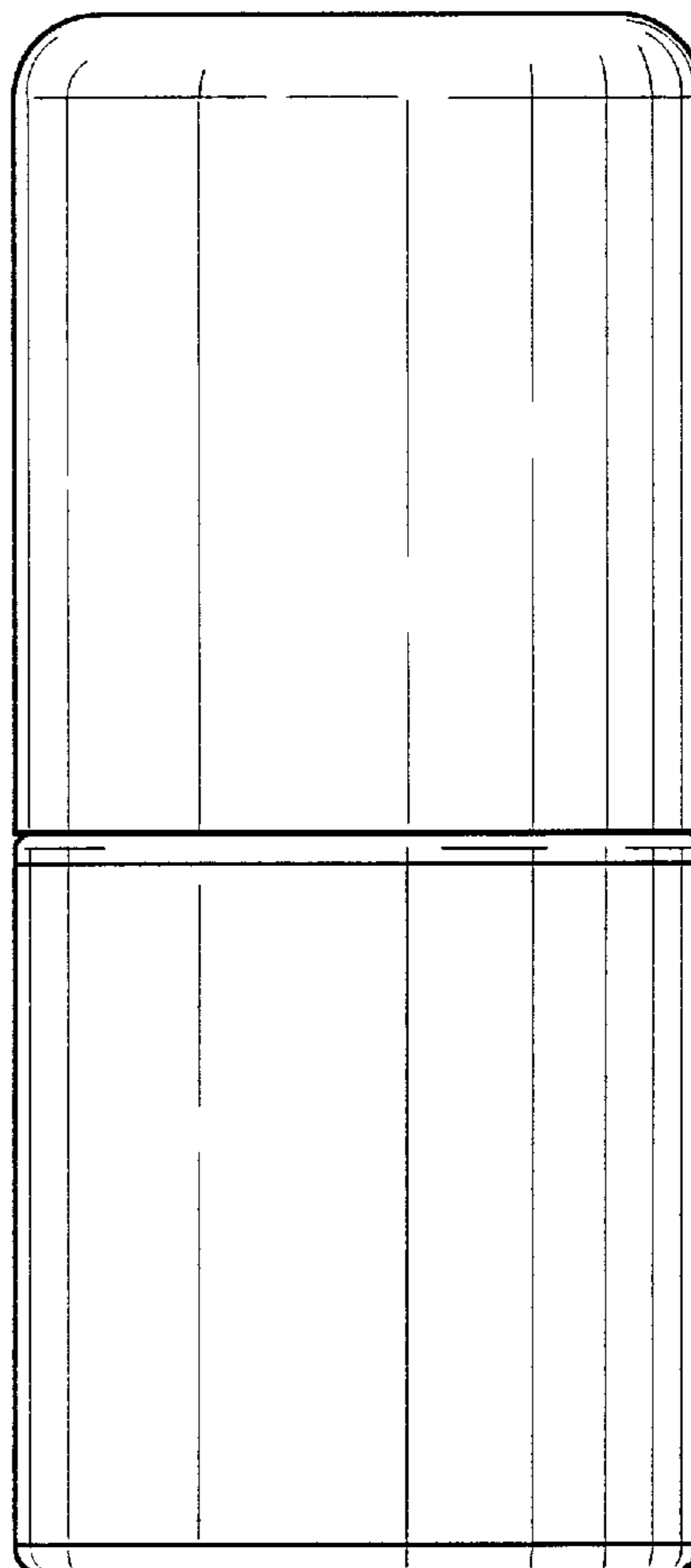
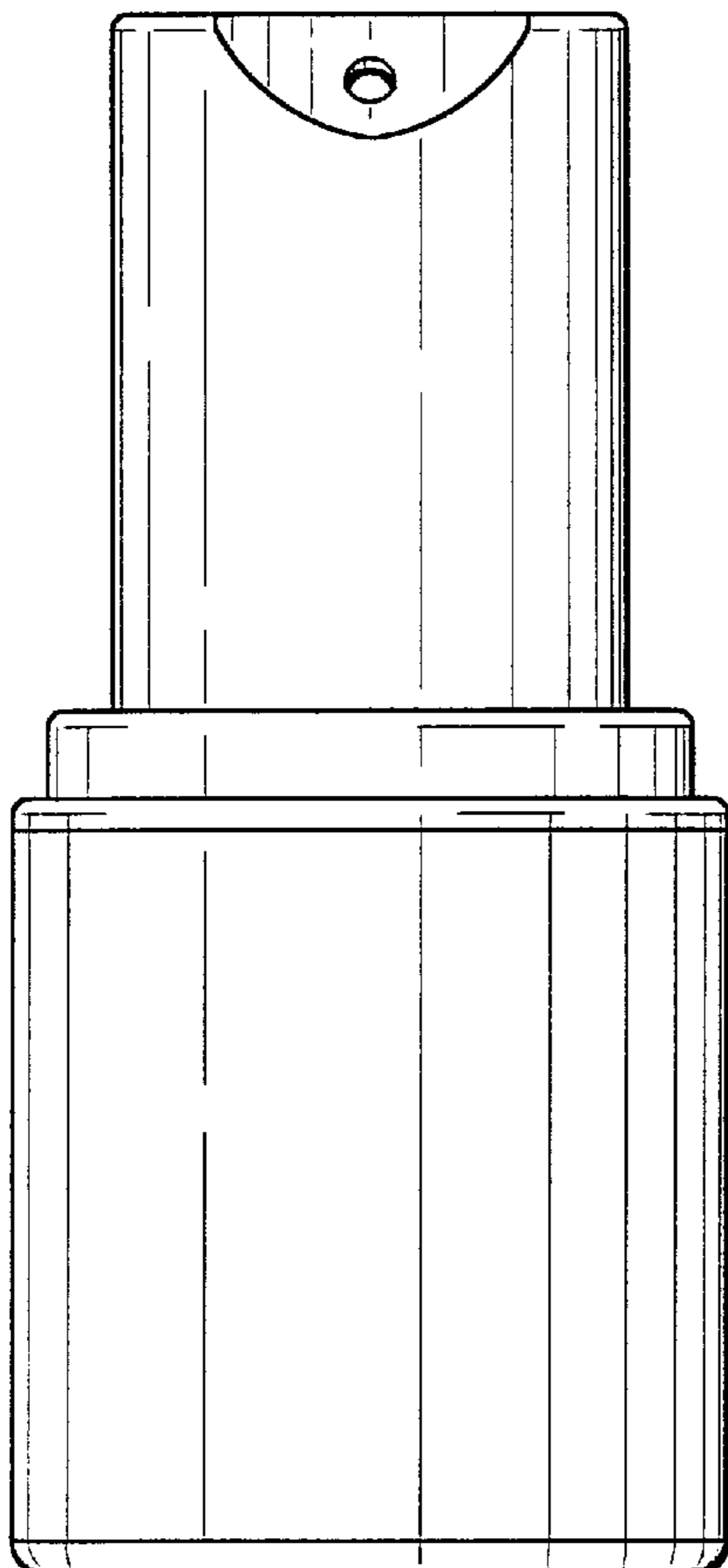
[57] **CLAIM**

The ornamental design for a vial pump, as shown and described.

DESCRIPTION

FIG. 1 is a front view of a vial pump of the present design; FIG. 2 is a rear view of the vial pump; FIG. 3 is a left side view of the vial pump; FIG. 4 is a right side view of the vial pump; FIG. 5 is a top view of the vial pump; FIG. 6 is a bottom view of the vial pump; FIG. 7 is a front view of the vial pump in use; FIG. 8 is a rear view of the vial pump in use; FIG. 9 is a left side view of the vial pump in use; FIG. 10 is a right side view of the vial pump in use; FIG. 11 is a front view with a cap; and the previous views being shown without a cap for clarity of illustration, the cap being of the same view from any side; and, FIG. 12 is a top view of the cap shown in FIG. 11.

1 Claim, 3 Drawing Sheets



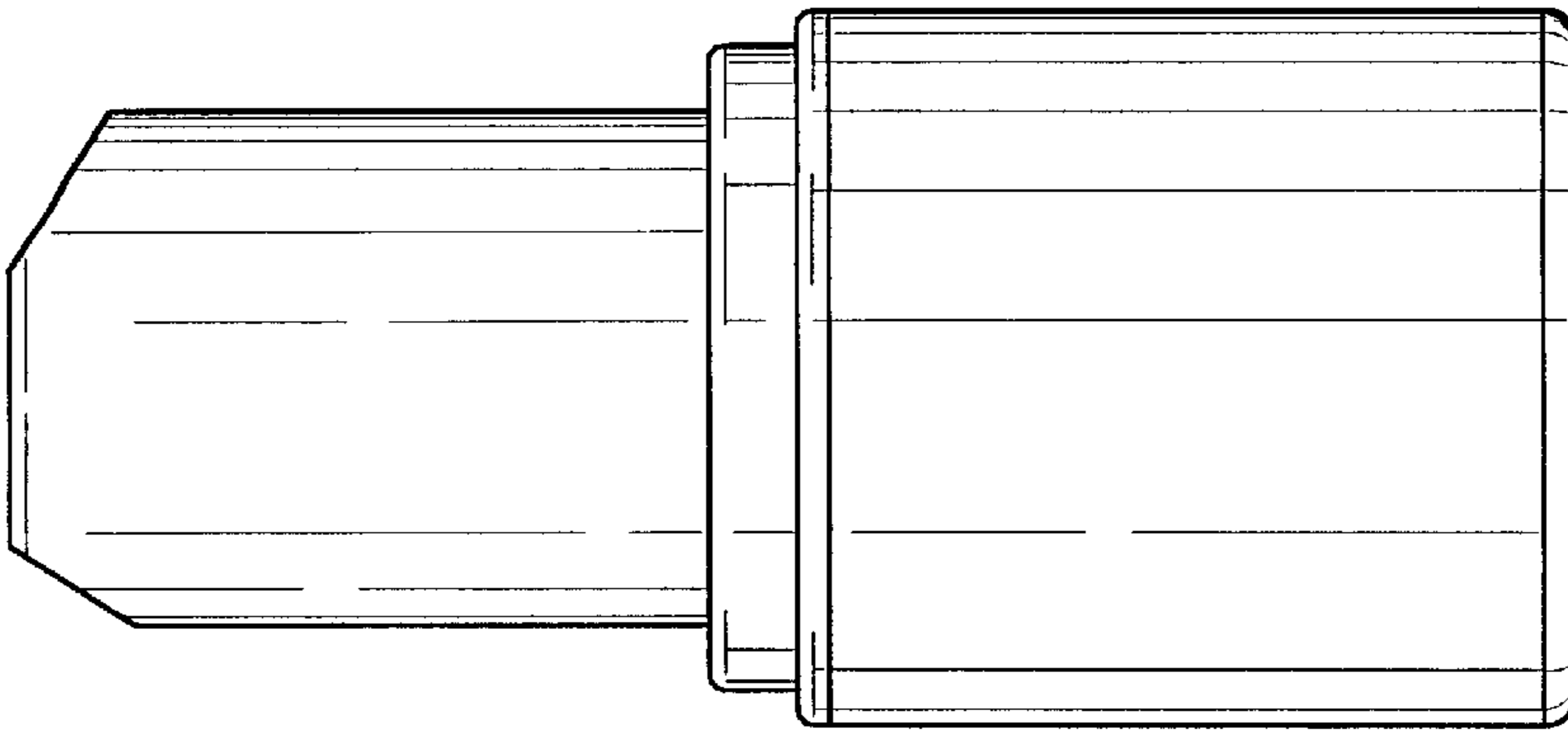


FIG. 1

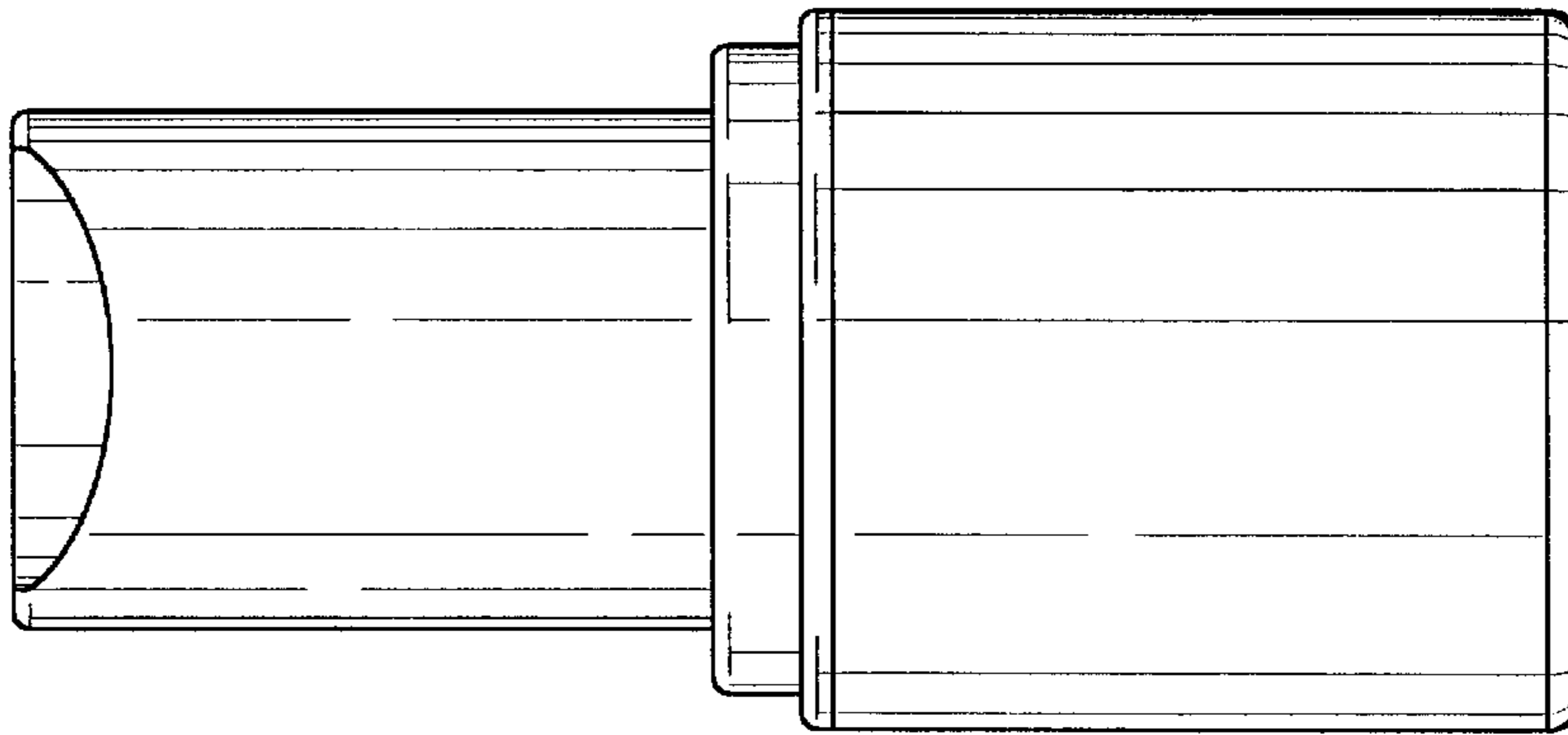


FIG. 2

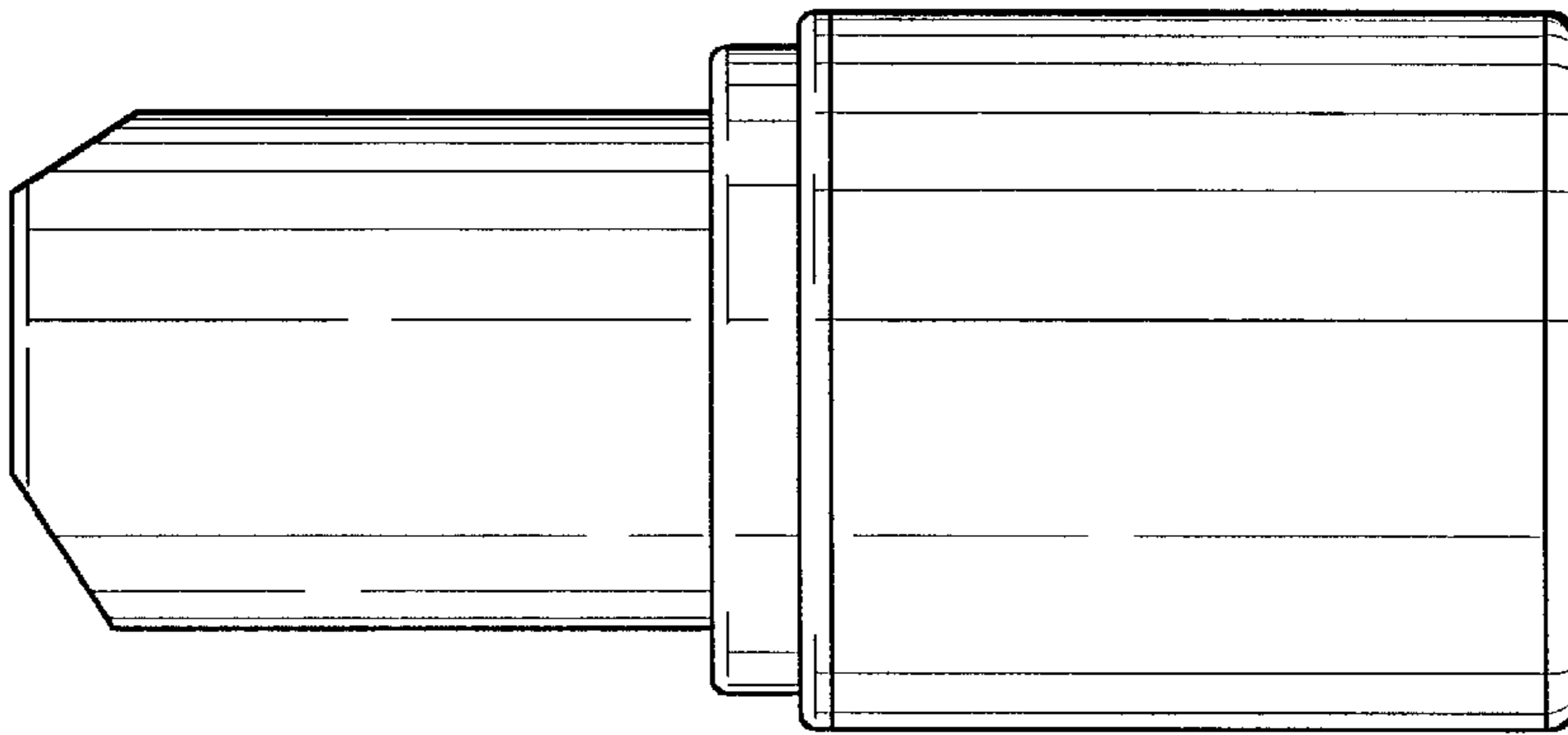


FIG. 3

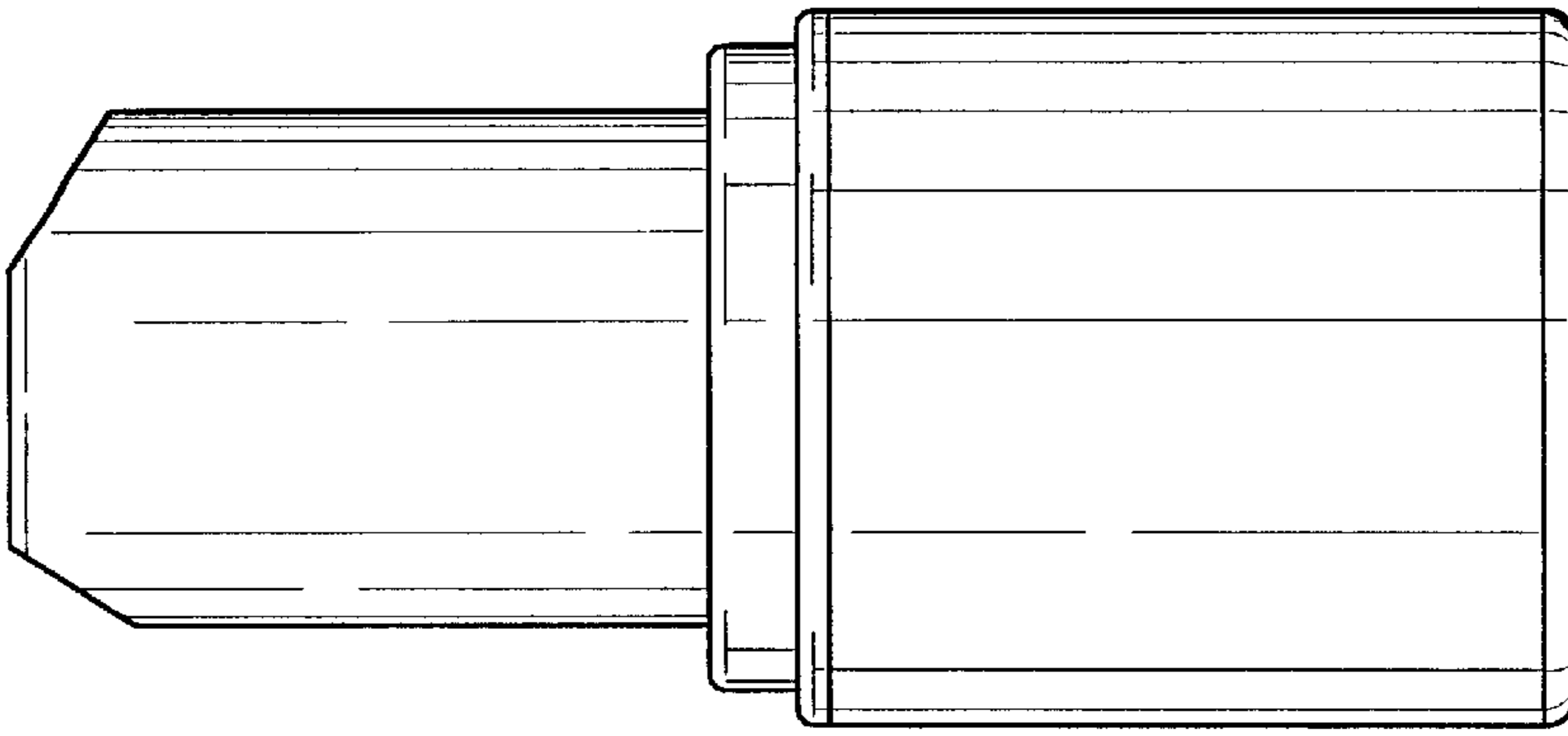


FIG. 4

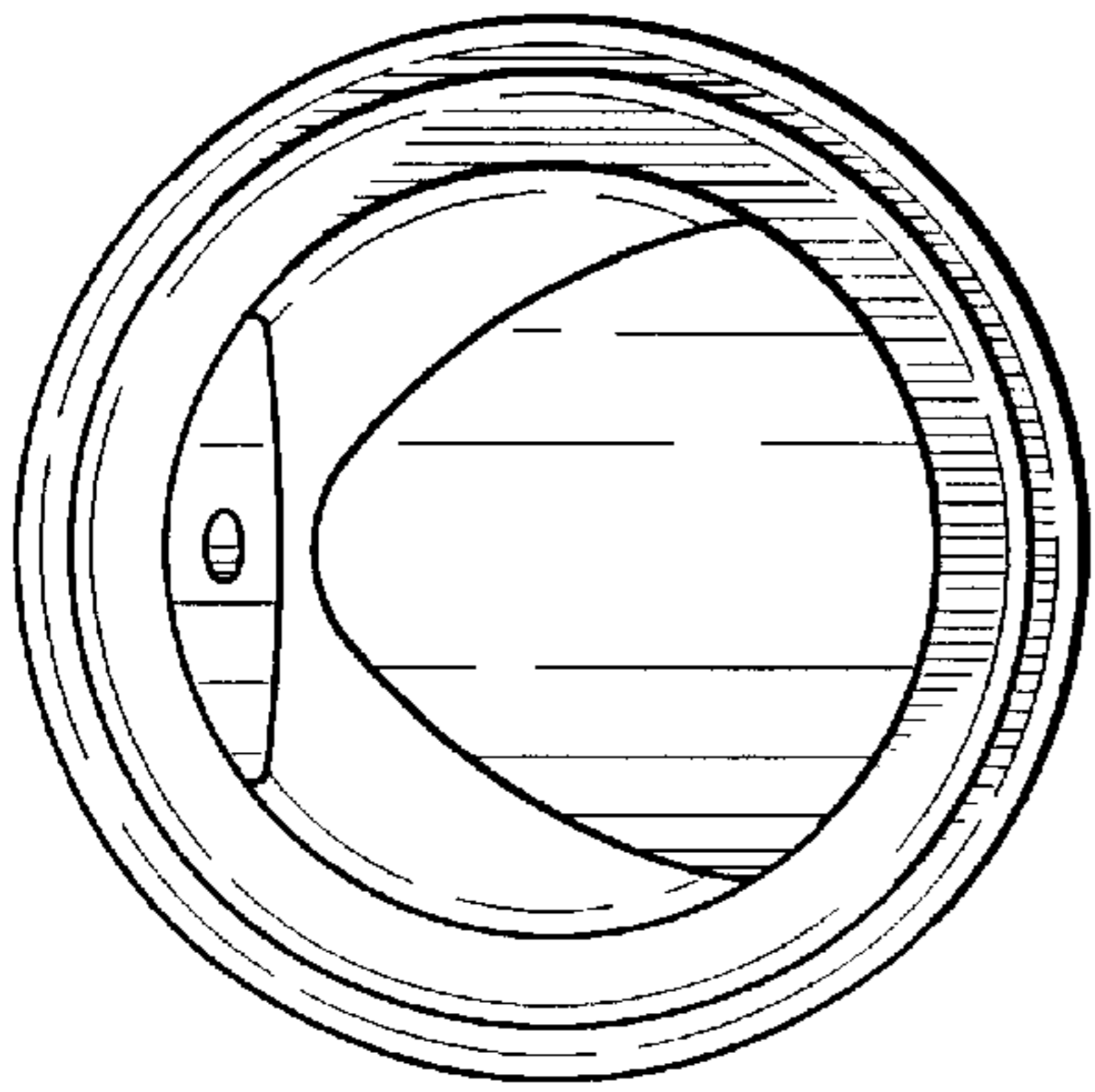


FIG. 5

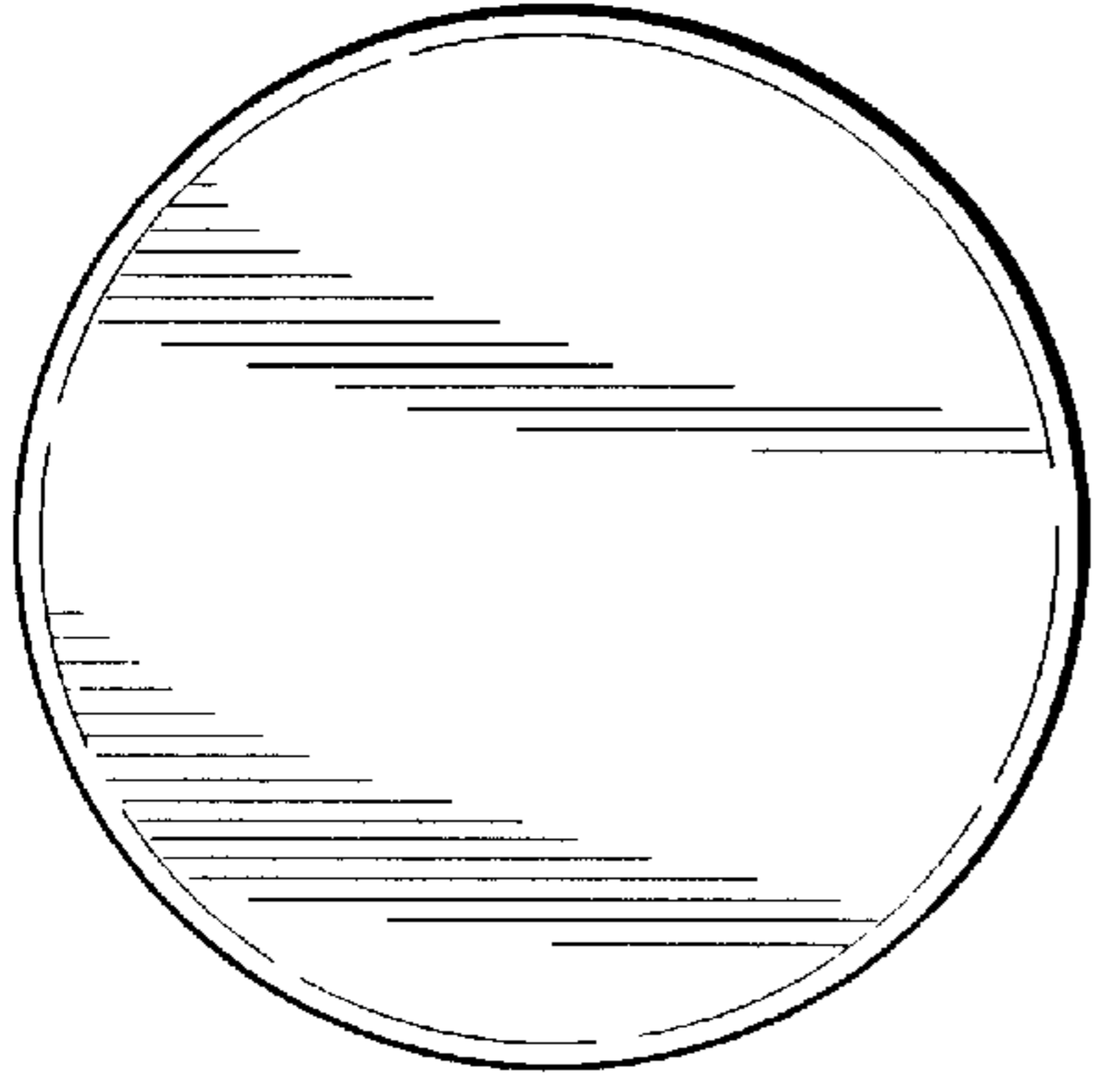


FIG. 6

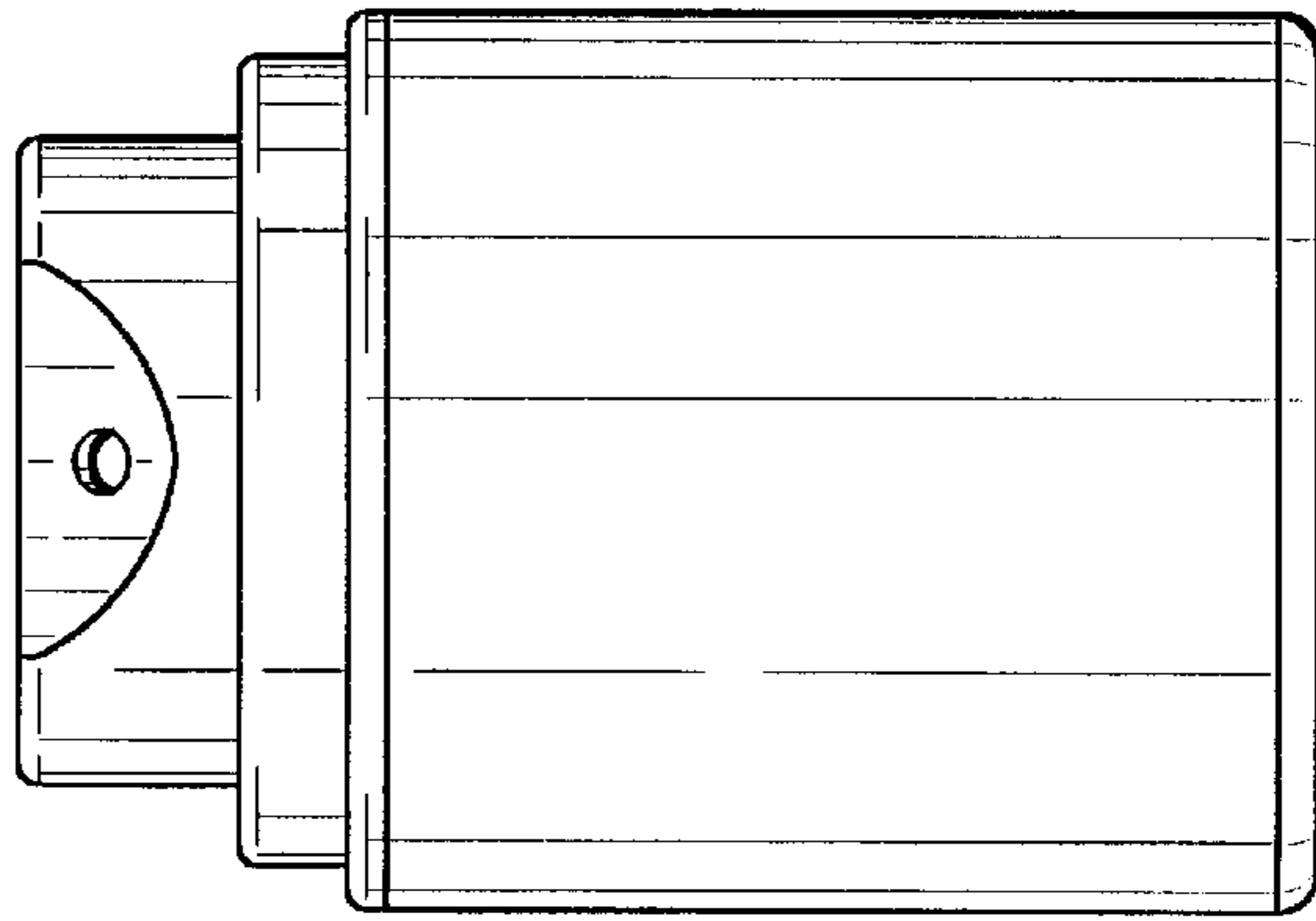


FIG. 7

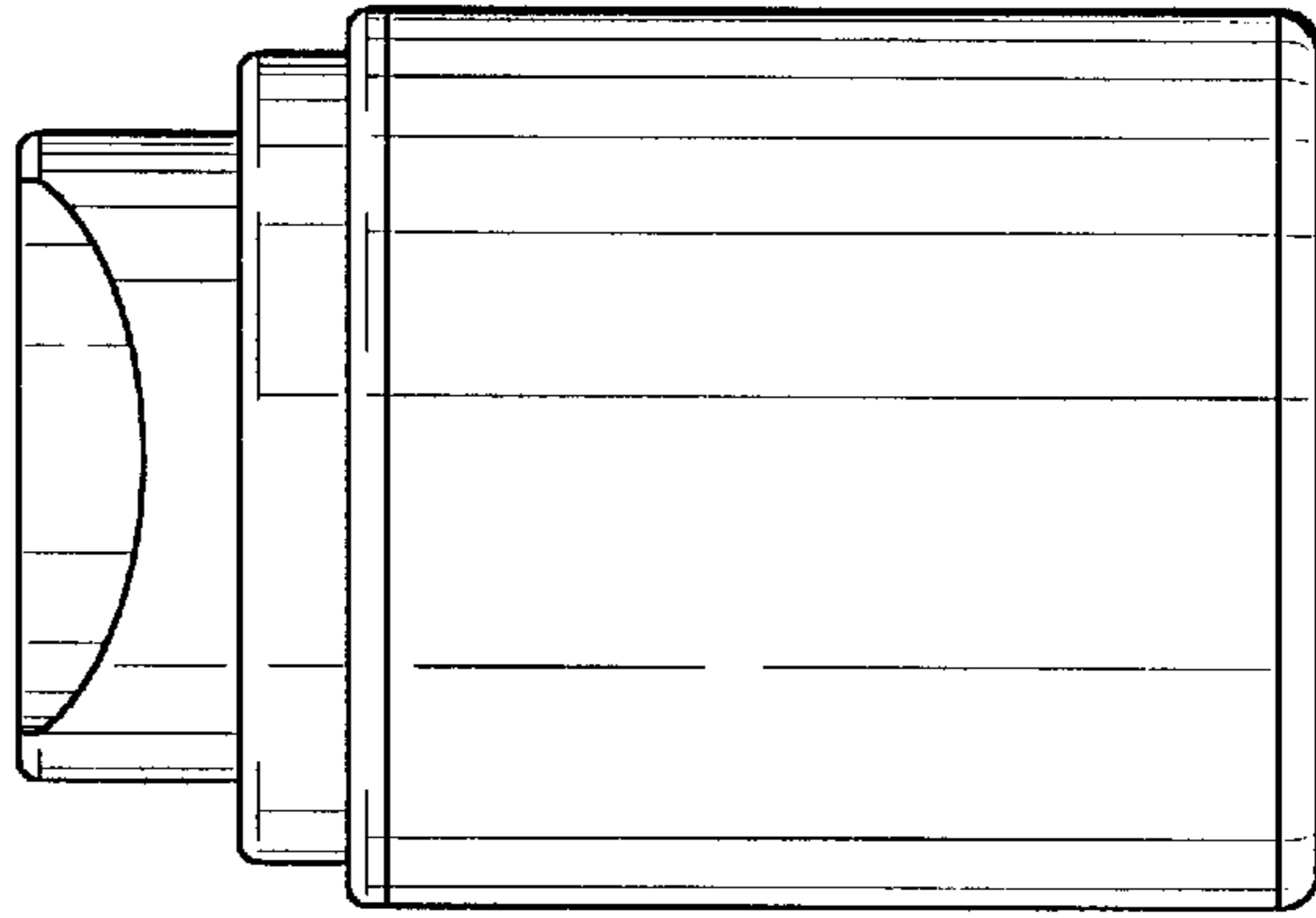


FIG. 8

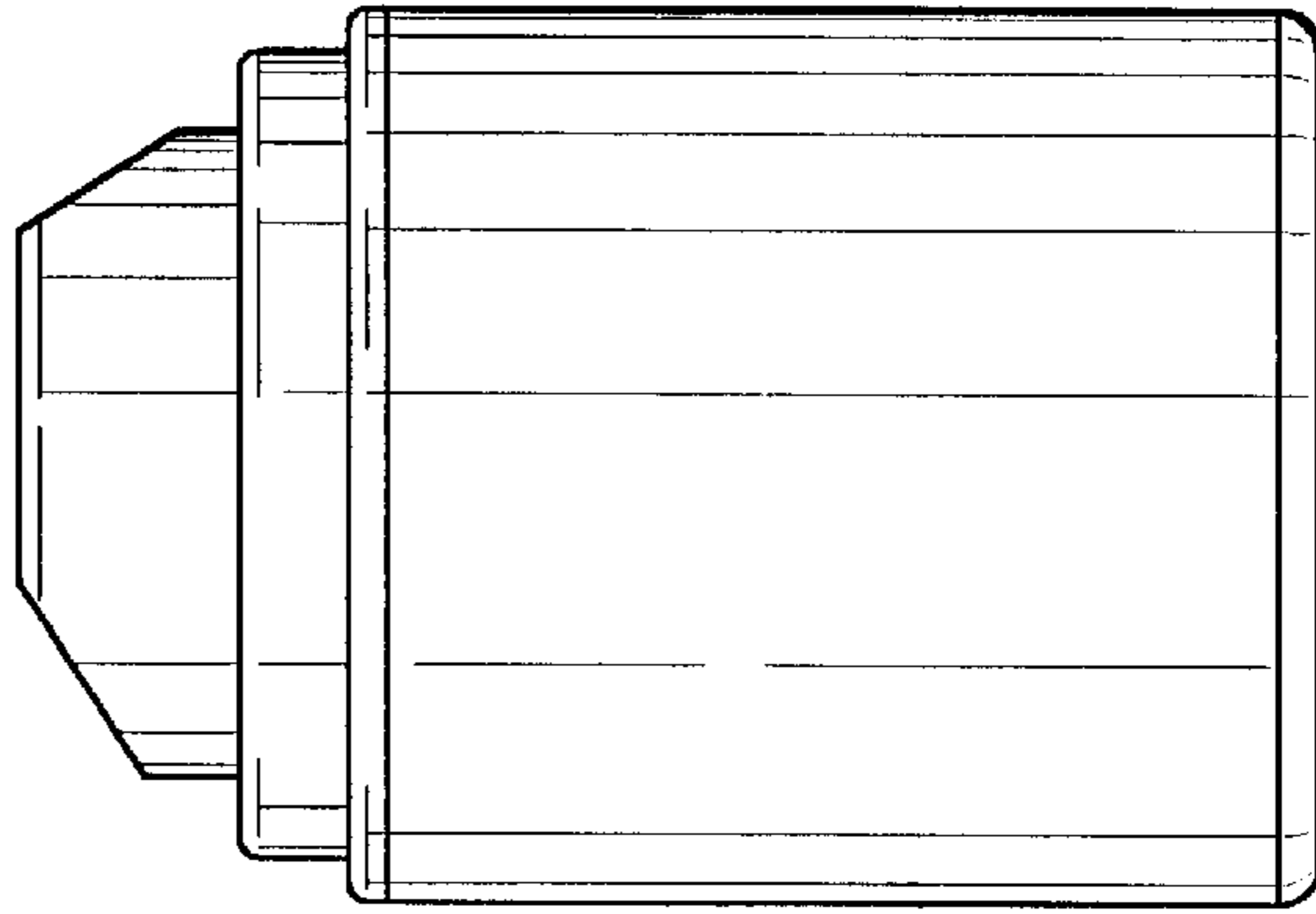


FIG. 9

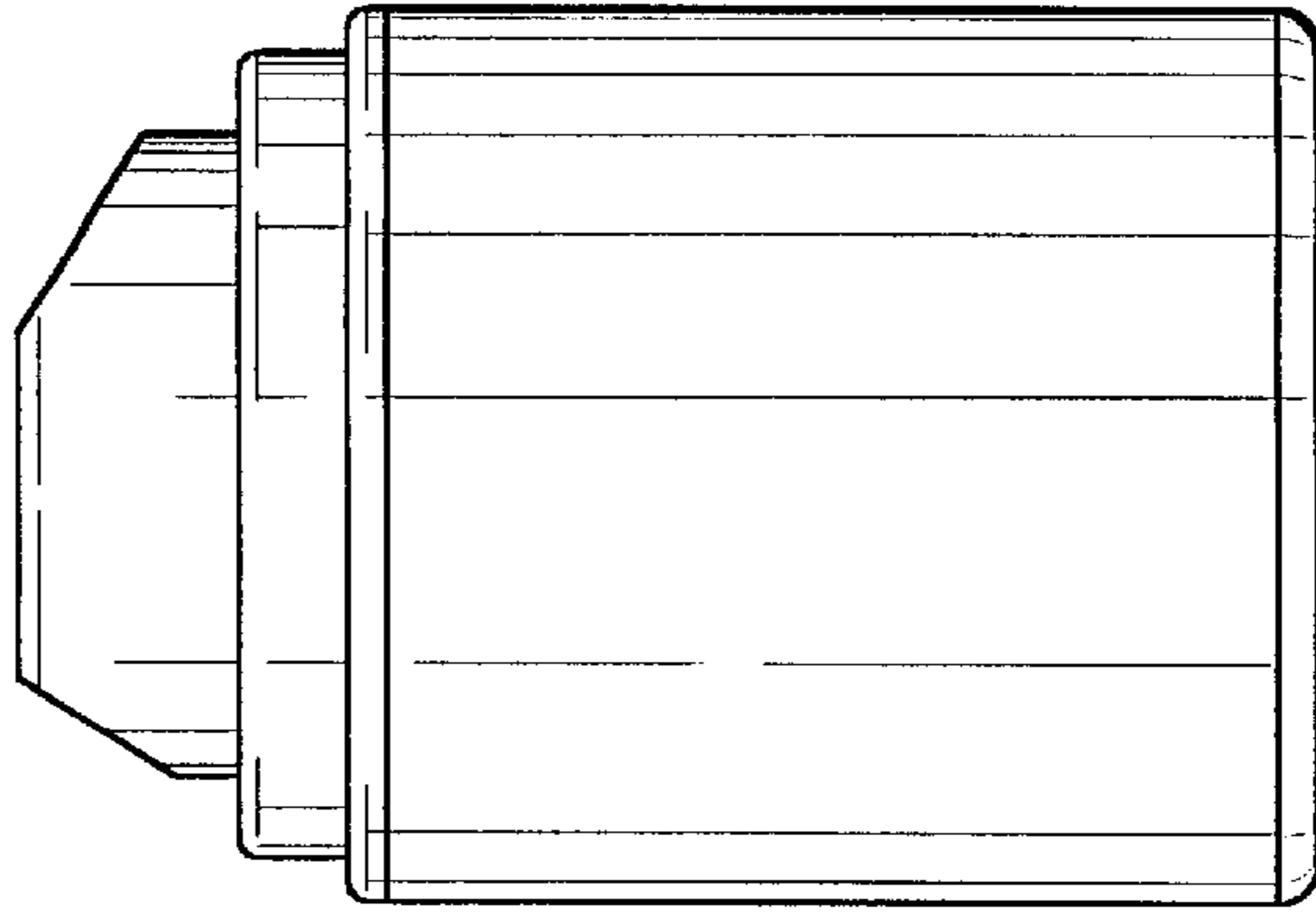


FIG. 10

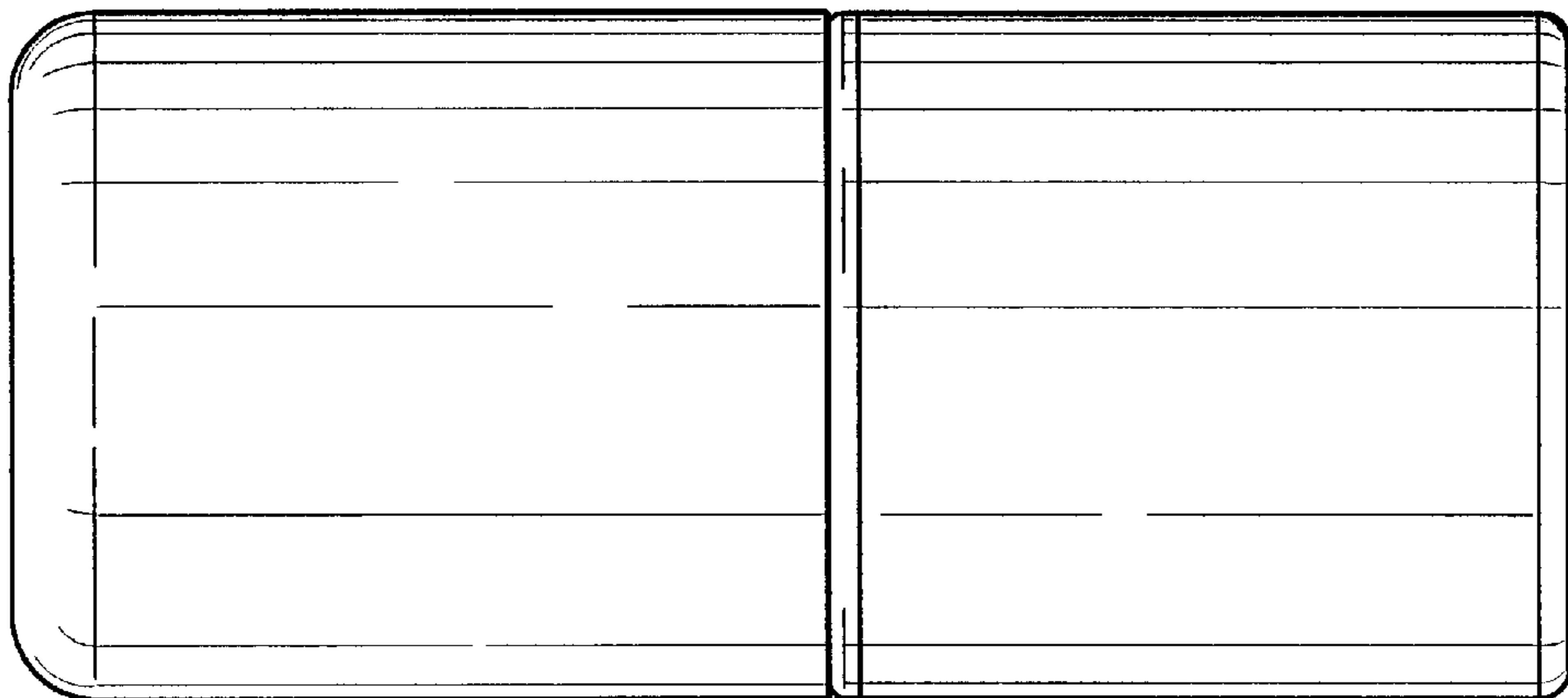


FIG. 11

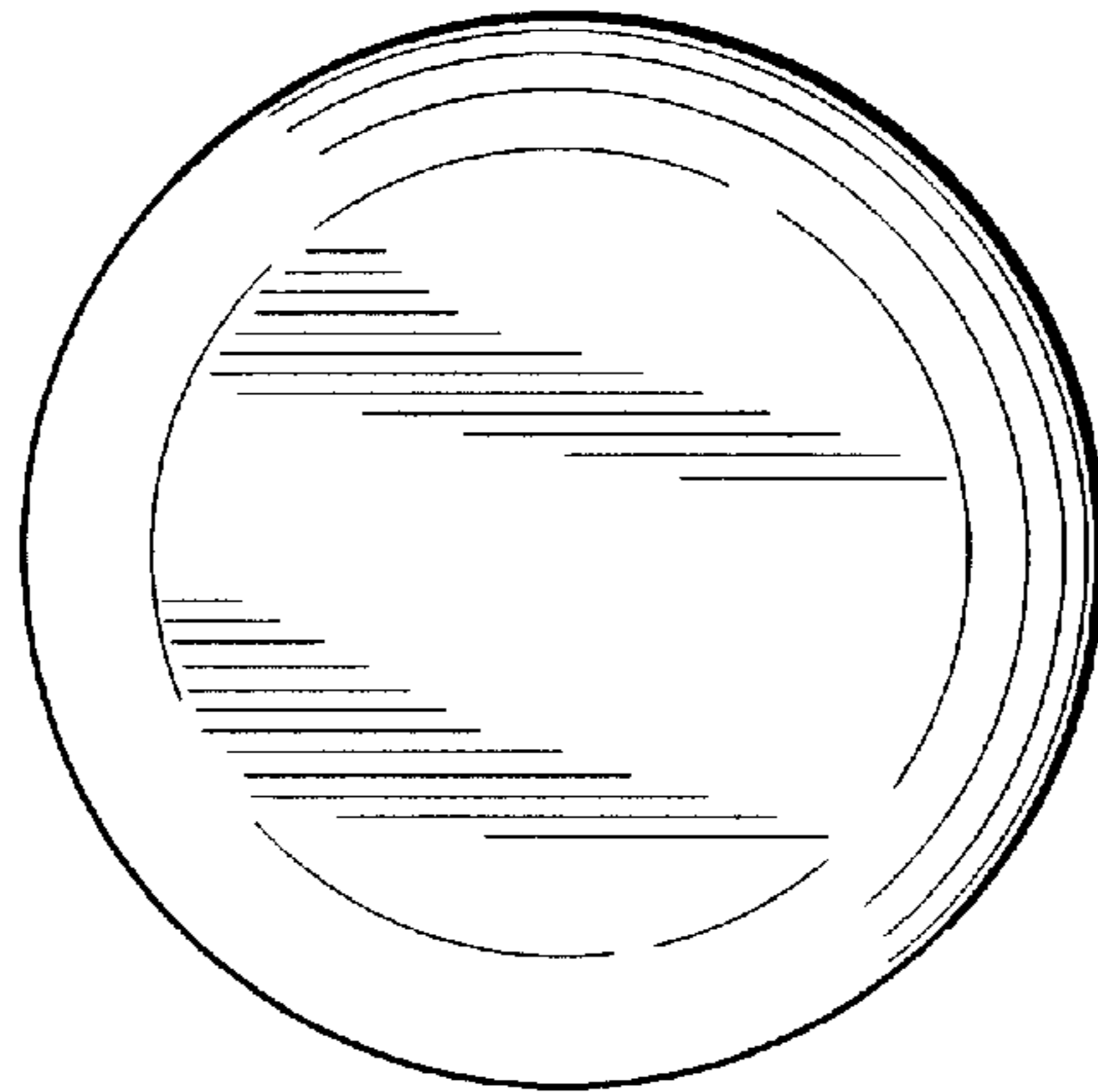


FIG. 12