



US00D427897S

# United States Patent [19]

Johnston et al.

[11] Patent Number: **Des. 427,897**

[45] Date of Patent: **\*\* Jul. 11, 2000**

[54] **FIBER OPTIC CABLE MANAGEMENT CLIP**

[75] Inventors: **Dare P. Johnston**, Hickory, N.C.;  
**Michael Mattei**, Smithtown, N.Y.;  
**Robert P. Auteri**, Hickory, N.C.;  
**Erwin F. Hani**; **Michael T. Herda**,  
both of Charlotte, N.C.; **Steven J.**  
**Muske**, Batavia, Ohio; **David W.**  
**Suttie**, Onalaska, Wis.

[73] Assignee: **Ditel, Inc.**, Hickory, N.C.

[\*\*] Term: **14 Years**

[21] Appl. No.: **29/104,824**

[22] Filed: **May 11, 1999**

[51] **LOC (7) Cl.** ..... **08-08**

[52] **U.S. Cl.** ..... **D8/395; D8/356; D8/396**

[58] **Field of Search** ..... **D8/395, 396, 356;**  
**D13/154, 199; 174/93, 65 R, 65 G, 158 R,**  
**161 R, 164; 248/73, 74.2, 316.7, 68.1;**  
**385/134-6**

[56] **References Cited**

**U.S. PATENT DOCUMENTS**

5,530,787 6/1996 Arnett ..... 385/136

5,559,922 9/1996 Arnett ..... 385/135  
5,710,855 1/1998 Konwitz ..... 385/135  
5,724,469 3/1998 Orlando ..... 385/135  
5,758,004 5/1998 Harcon et al. .... 385/136

*Primary Examiner*—B. J. Bullock  
*Attorney, Agent, or Firm*—Adams Law Firm, P.A.

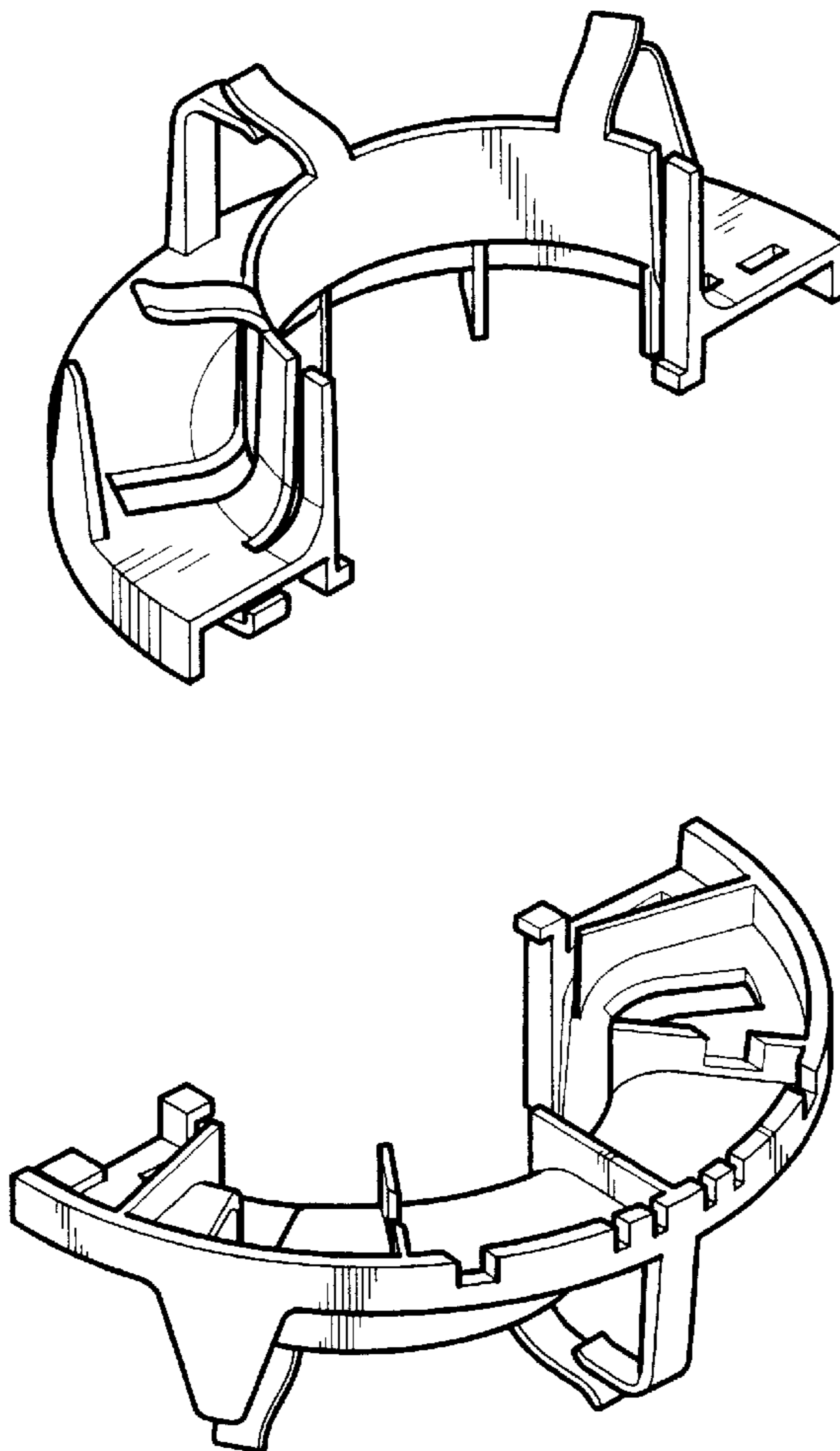
[57] **CLAIM**

We claim the ornamental design for a fiber optic cable management clip, as shown.

**DESCRIPTION**

FIG. 1 is a top perspective view of the fiber optic cable management clip;  
FIG. 2 is a bottom perspective view thereof;  
FIG. 3 is a top plan view thereof;  
FIG. 4 is a bottom plan view thereof;  
FIG. 5 is a left side elevational view thereof;  
FIG. 6 is a right side elevational view thereof;  
FIG. 7 is a front elevational view thereof; and,  
FIG. 8 is a back elevational view thereof.

**1 Claim, 4 Drawing Sheets**



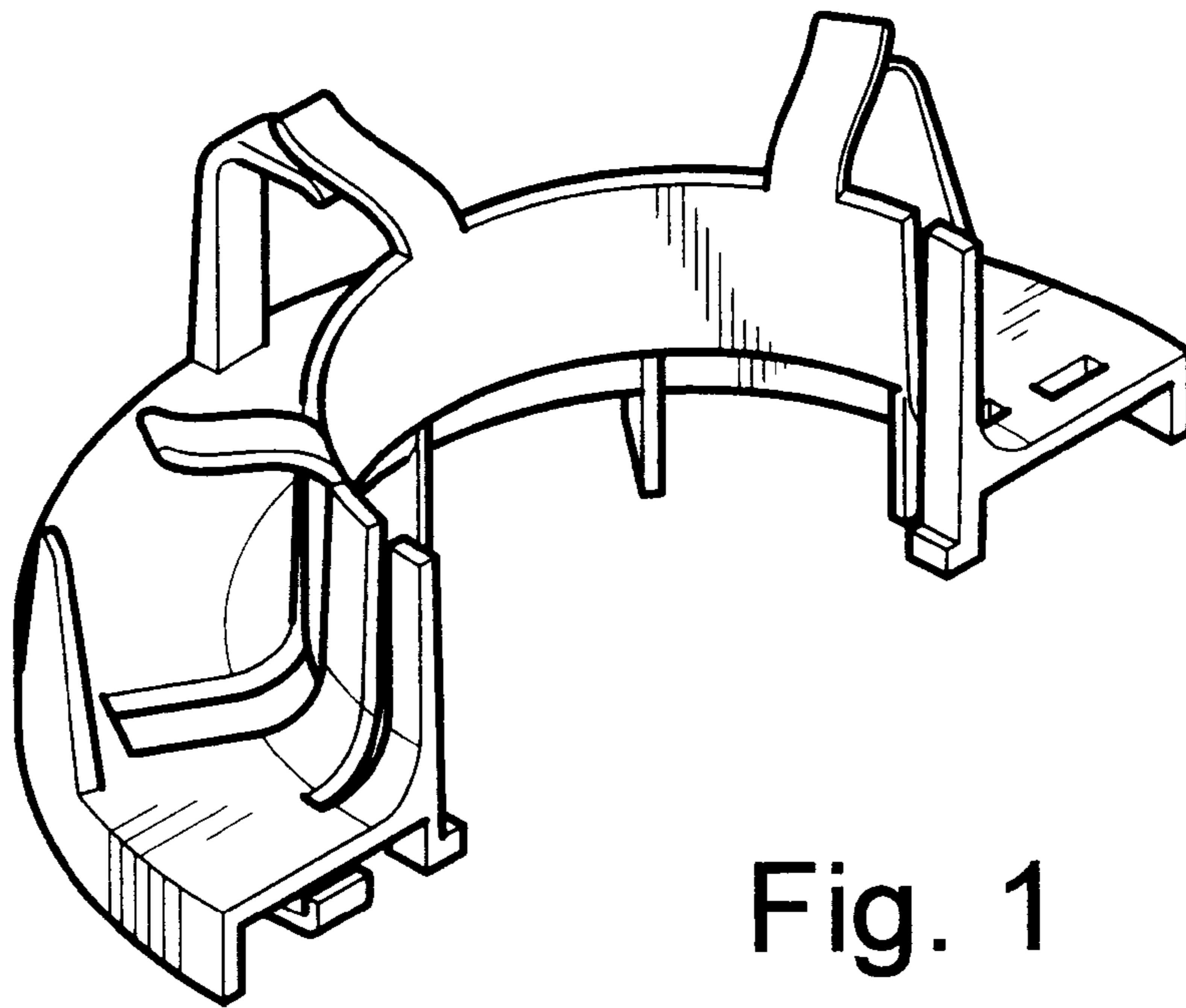


Fig. 1

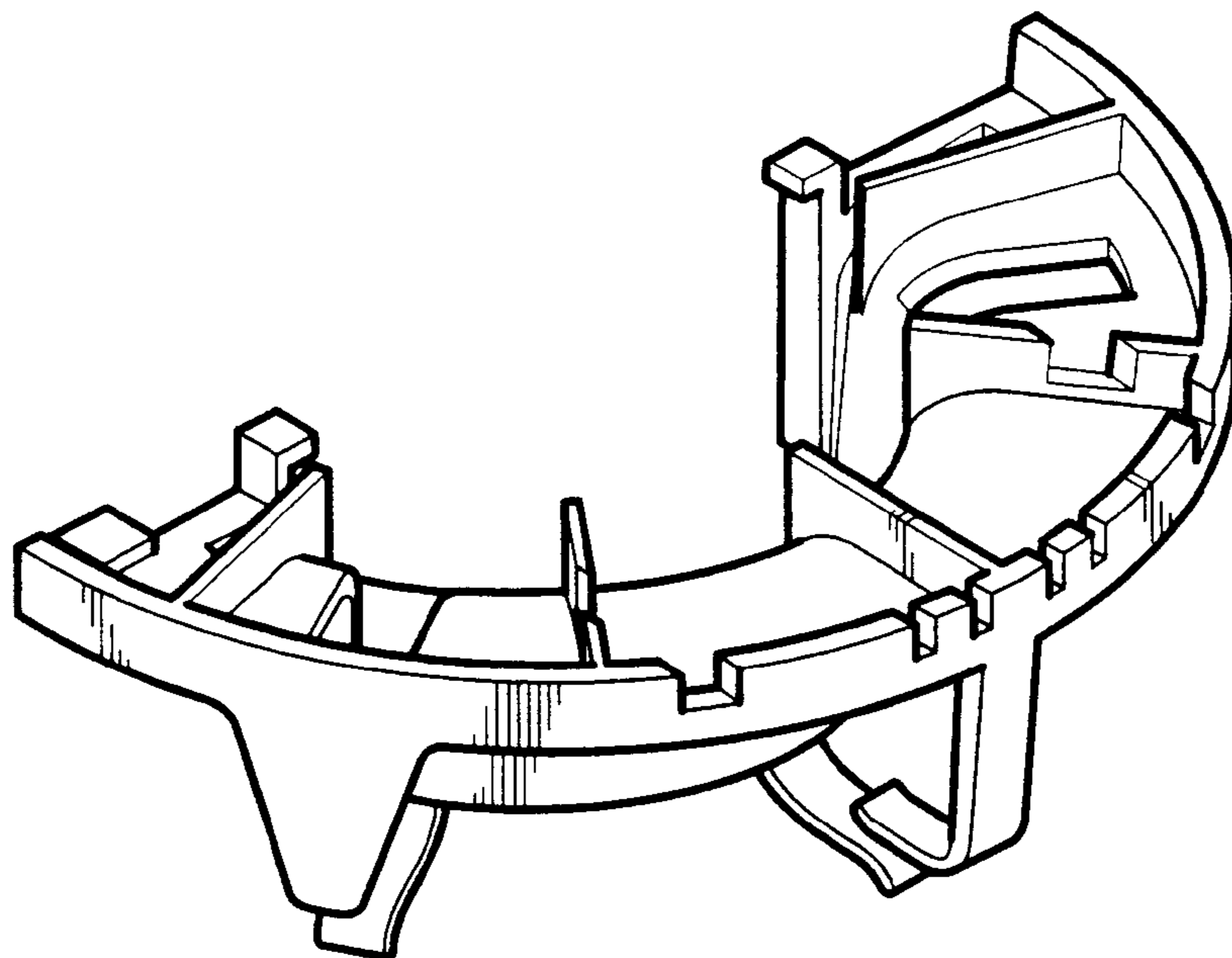


Fig. 2

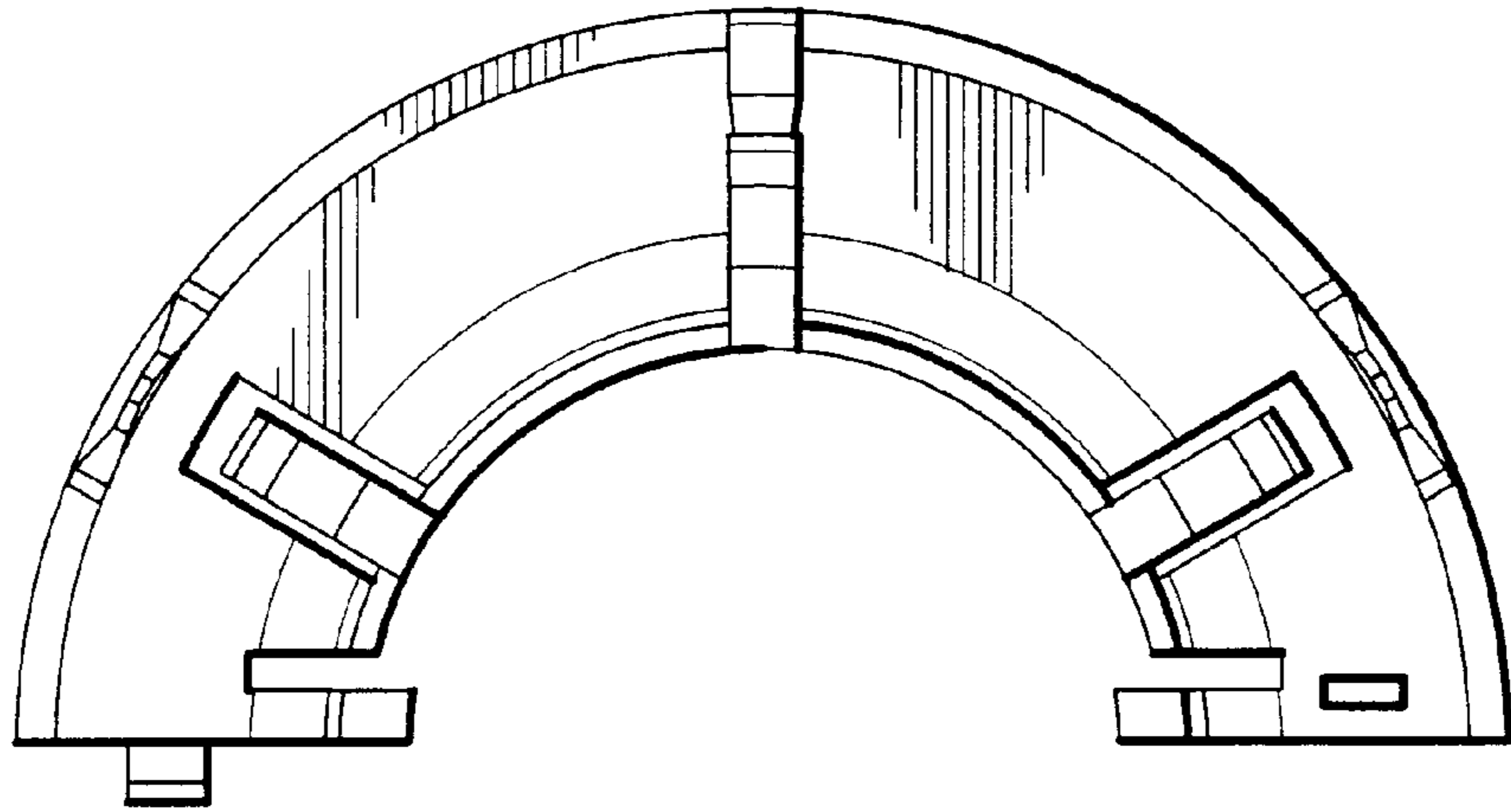


Fig. 3

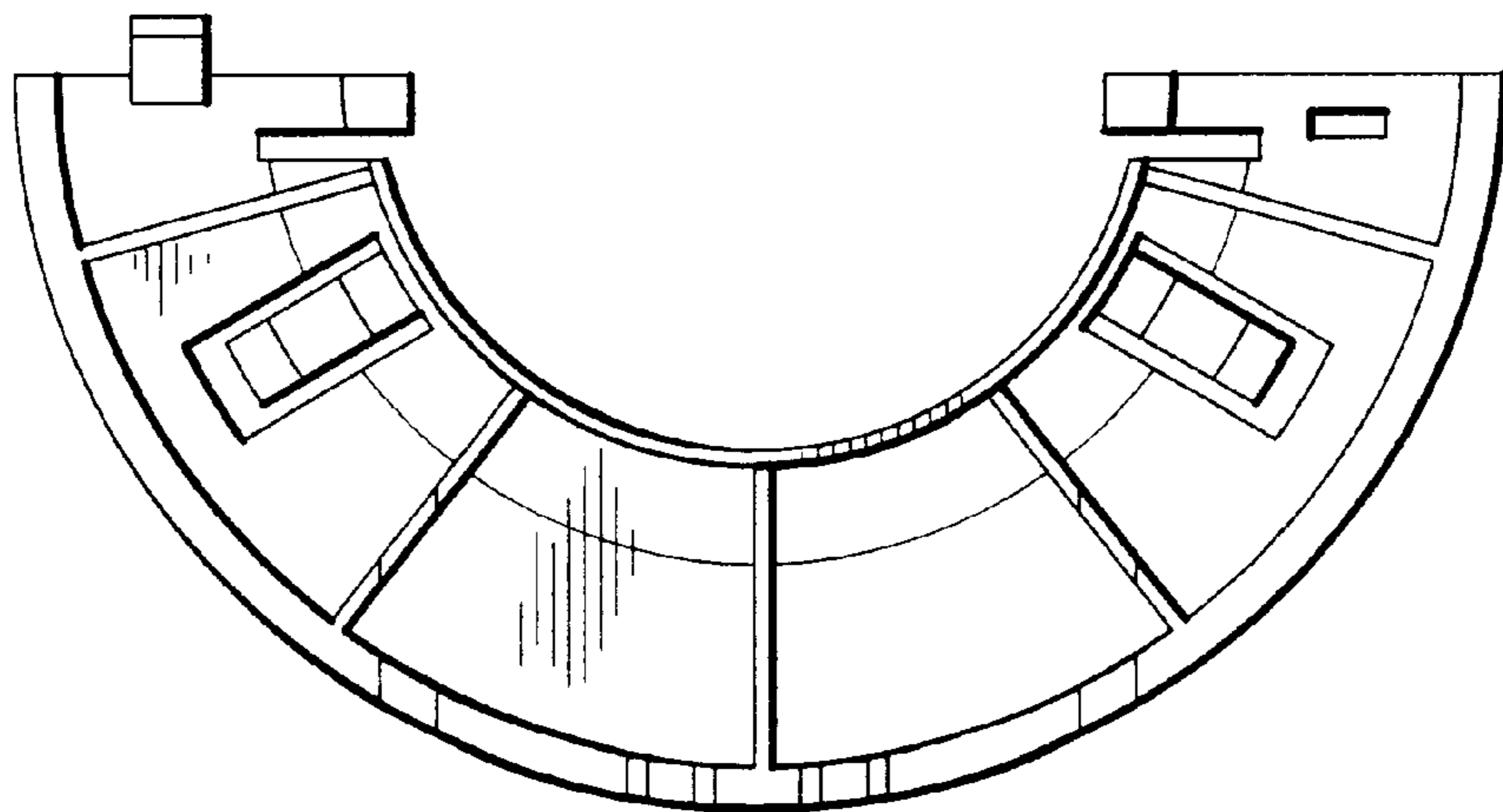


Fig. 4

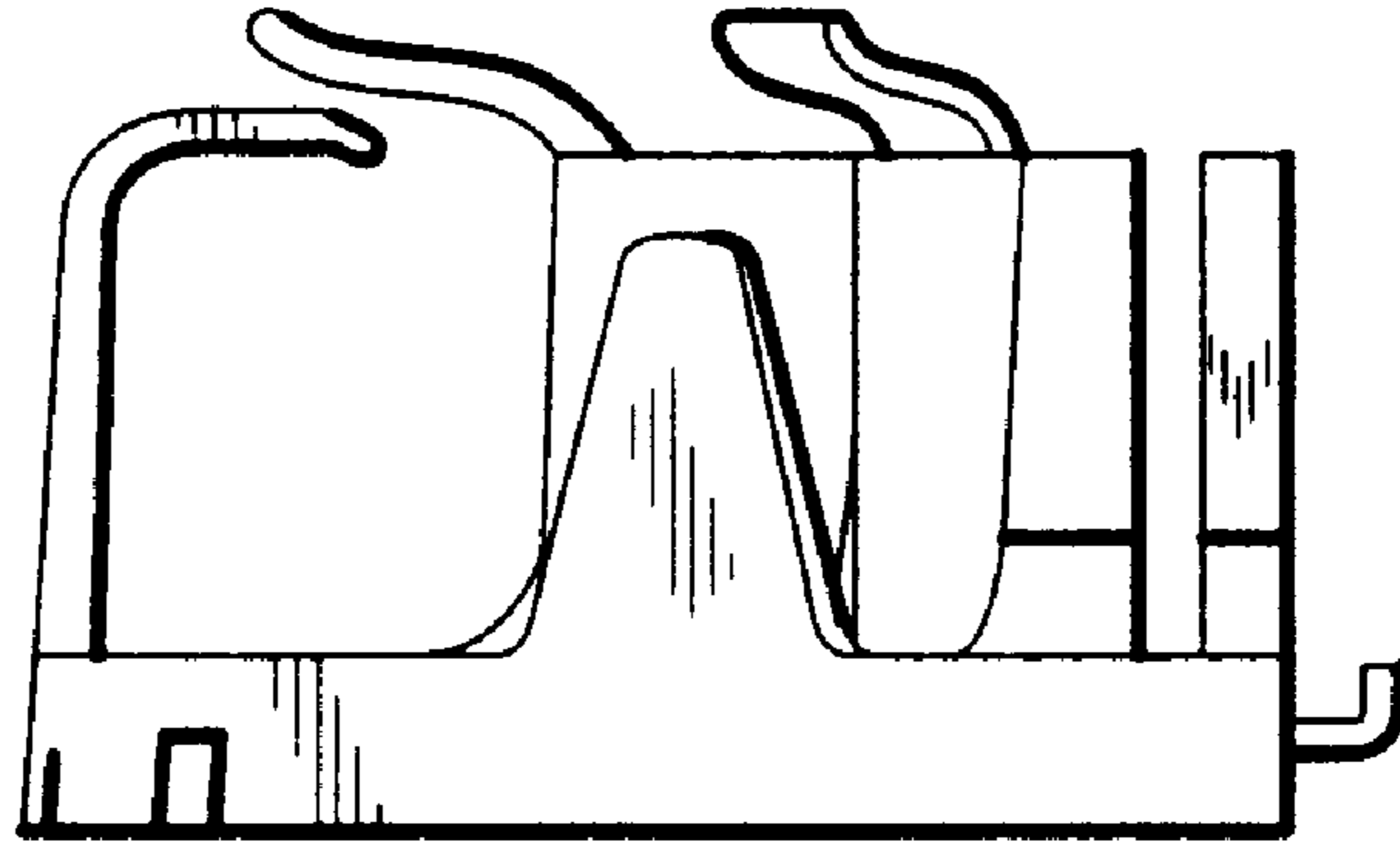


Fig. 5

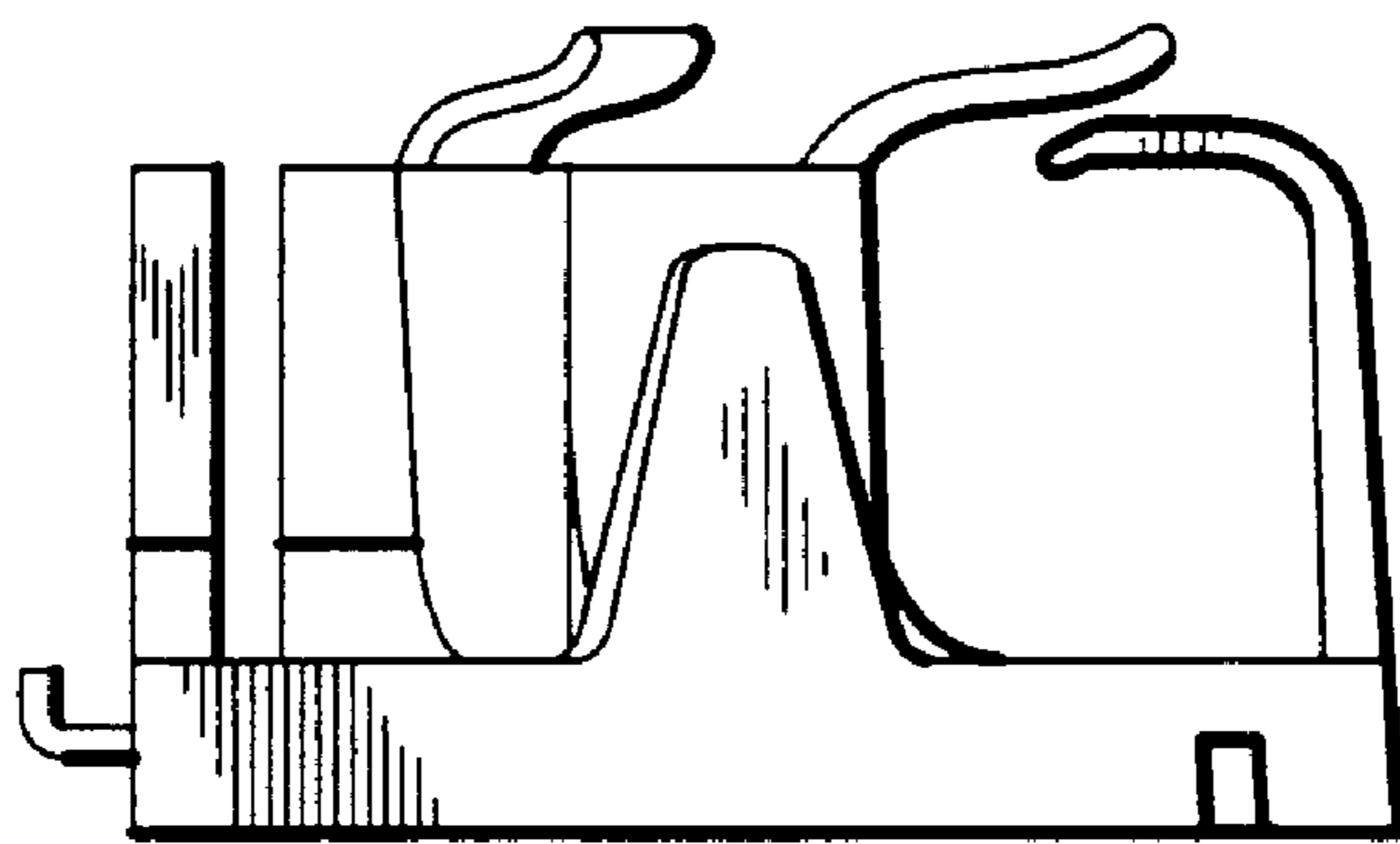


Fig. 6

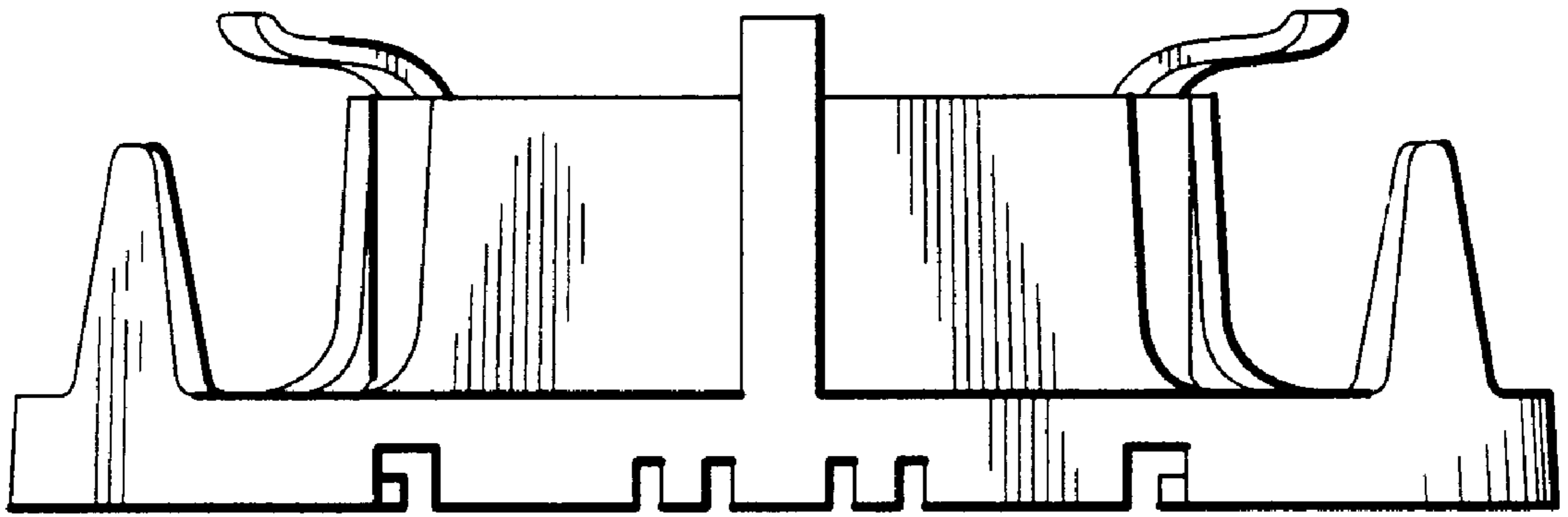


Fig. 7

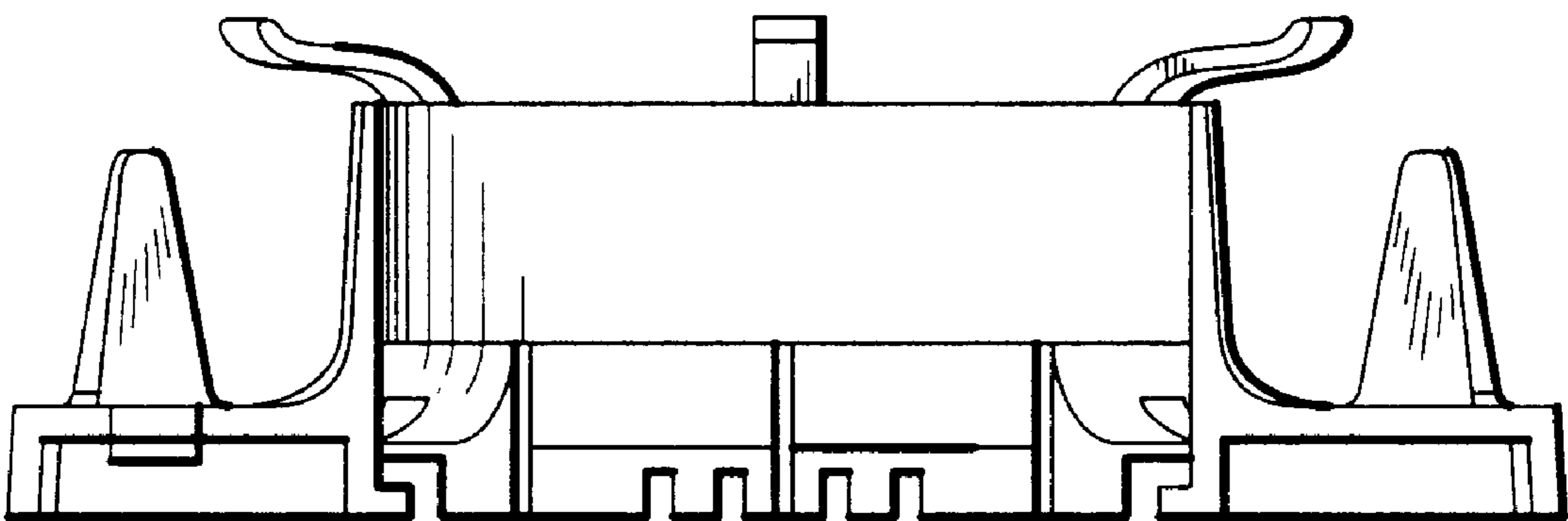


Fig. 8