



US00D427895S

United States Patent [19]
Morton

[11] **Patent Number: Des. 427,895**

[45] **Date of Patent: ** Jul. 11, 2000**

[54] **THREE-WAY JOINT**

[76] **Inventor: James F. Morton**, 1180 Sumner Ave.,
Apt B, El Cajon, Calif. 92021

[**] **Term: 14 Years**

[21] **Appl. No.: 29/114,579**

[22] **Filed: Nov. 29, 1999**

[51] **LOC (7) Cl. 08-08**

[52] **U.S. Cl. D8/382**

[58] **Field of Search D8/382; D21/484;**
403/170, 171, 176, 217, 219, 292, 298

[56] **References Cited**

U.S. PATENT DOCUMENTS

D. 409,083 5/1999 Bernstein D8/382

3,645,569	2/1972	Reilly	403/217
3,851,601	12/1974	Davis	403/171
5,169,258	12/1992	Raynak	403/176
5,878,802	3/1999	Richter et al.	403/171
5,997,117	12/1999	Krietzman	403/171

Primary Examiner—Alan P. Douglas

Assistant Examiner—Reid Hecker

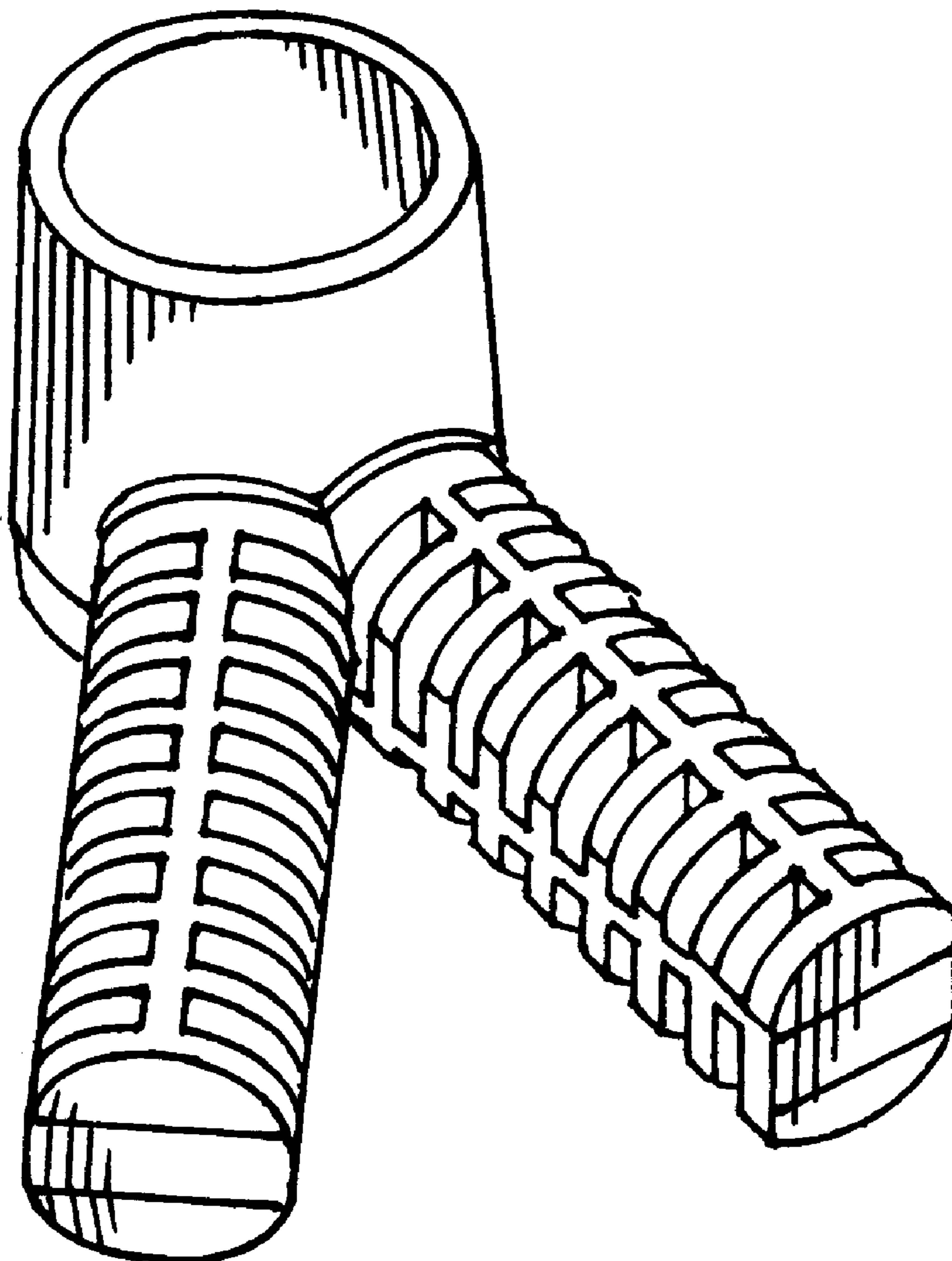
[57] **CLAIM**

The ornamental design for a three-way joint, as shown.

DESCRIPTION

FIG. 1 is a perspective view;
FIG. 2 is another perspective view;
FIG. 3 is a side view; and,
FIG. 4 is a plan view.

1 Claim, 1 Drawing Sheet



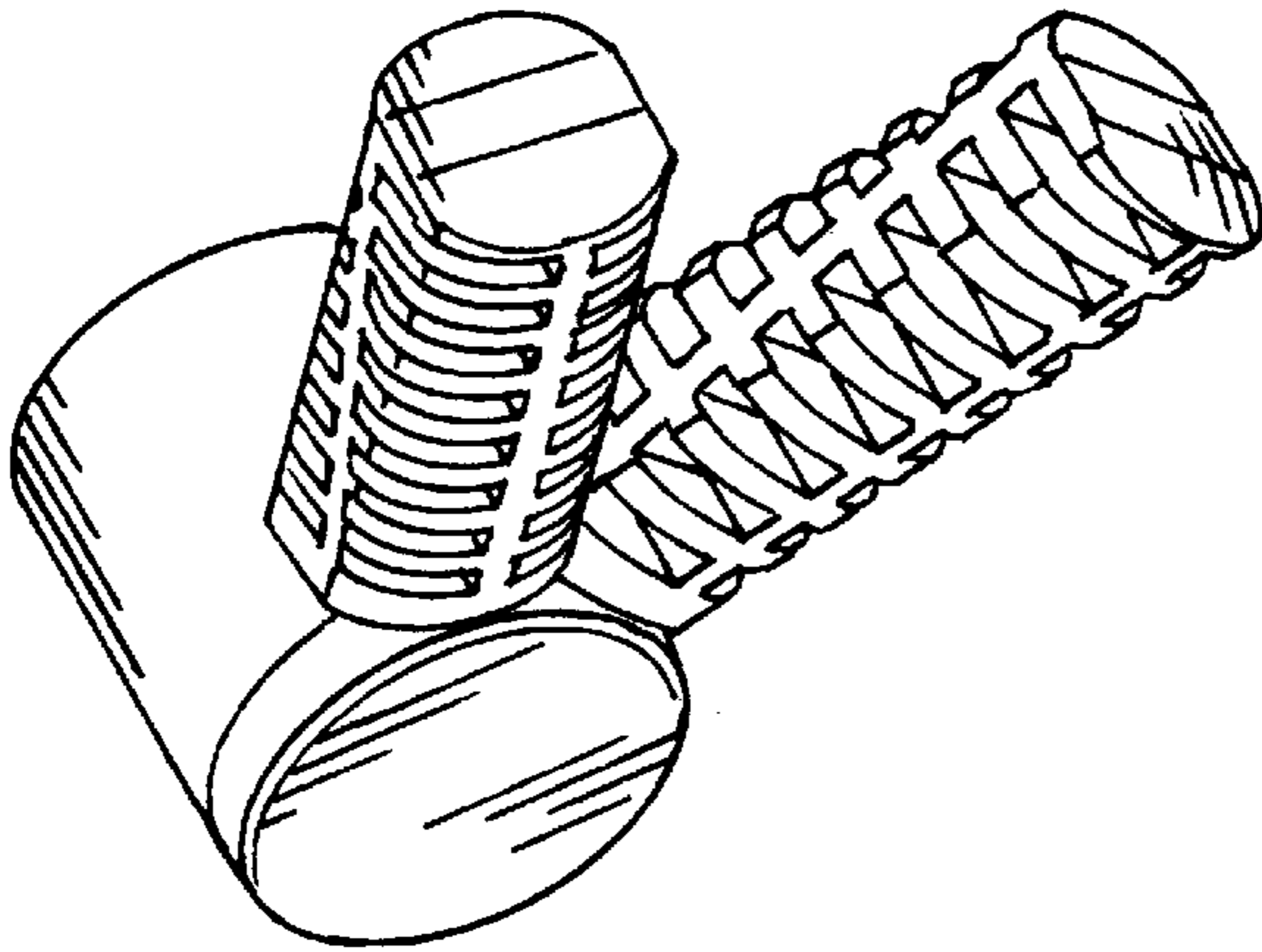


FIG. 1

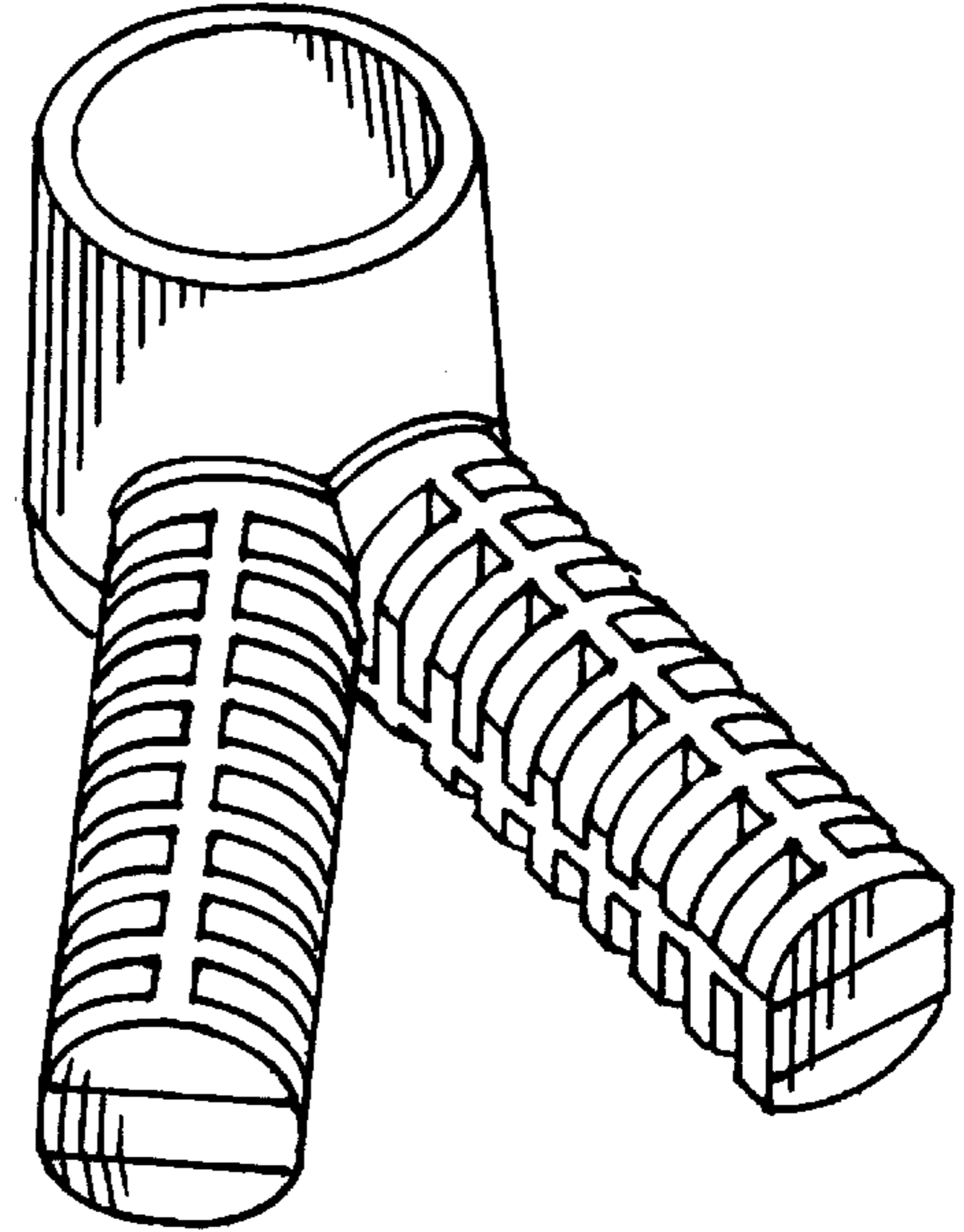


FIG. 2

FIG. 3

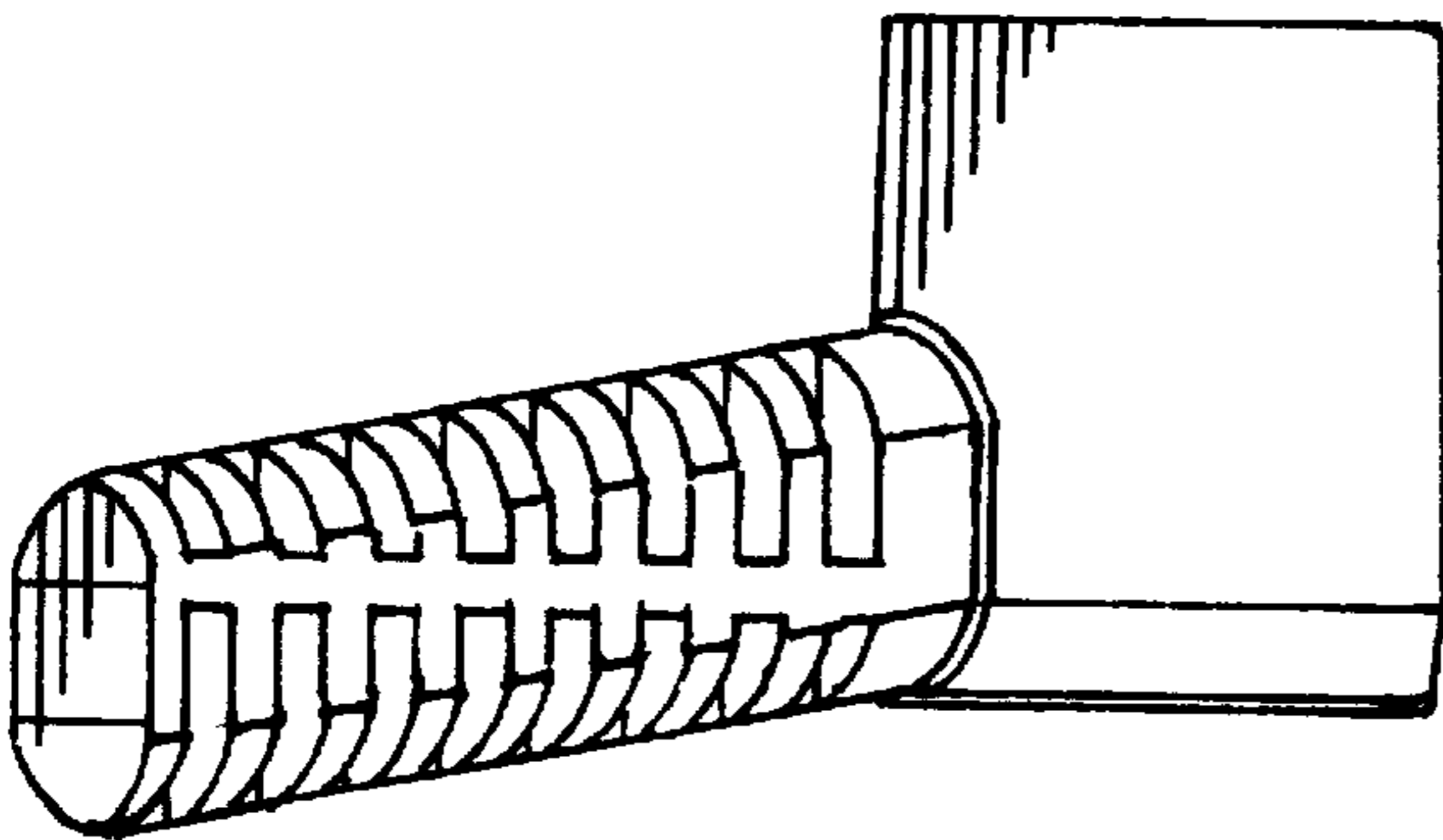


FIG. 4

