



US00D427894S

# United States Patent [19]

**Benz et al.**

[11] **Patent Number: Des. 427,894**

[45] **Date of Patent: \*\* Jul. 11, 2000**

[54] **FASTENING ANGLE**

[75] **Inventors: Albrecht Benz,**  
Leinfelden-Echterdingen; **Joerg**  
**Walther,** Korntal; **Torsten Buening,**  
Stuttgart; **Frank Rahfeld,**  
Reichelsheim; **Olaf Klemm,**  
Markgroeningen, all of Germany

[73] **Assignee: Robert Bosch GmbH,** Stuttgart,  
Germany

[\*\*] **Term: 14 Years**

[21] **Appl. No.: 29/101,642**

[22] **Filed: Mar. 8, 1999**

[30] **Foreign Application Priority Data**

Sep. 7, 1998 [DE] Germany ..... 498 08 886

[51] **LOC (7) Cl. .... 08-08**

[52] **U.S. Cl. .... D8/382**

[58] **Field of Search .... D8/382; 52/238.1;**  
403/169-170, 173-174, 205, 312, 177-178,  
300, 305, 306; 248/220.1

[56] **References Cited**

**U.S. PATENT DOCUMENTS**

3,912,407	10/1975	Heininger .....	403/205
4,883,246	11/1989	Esposito .....	248/165
4,973,187	11/1990	Sauder .....	403/205
5,076,736	12/1991	Grewe et al. ....	403/295

*Primary Examiner*—Holly Baynham  
*Attorney, Agent, or Firm*—Michael J. Striker

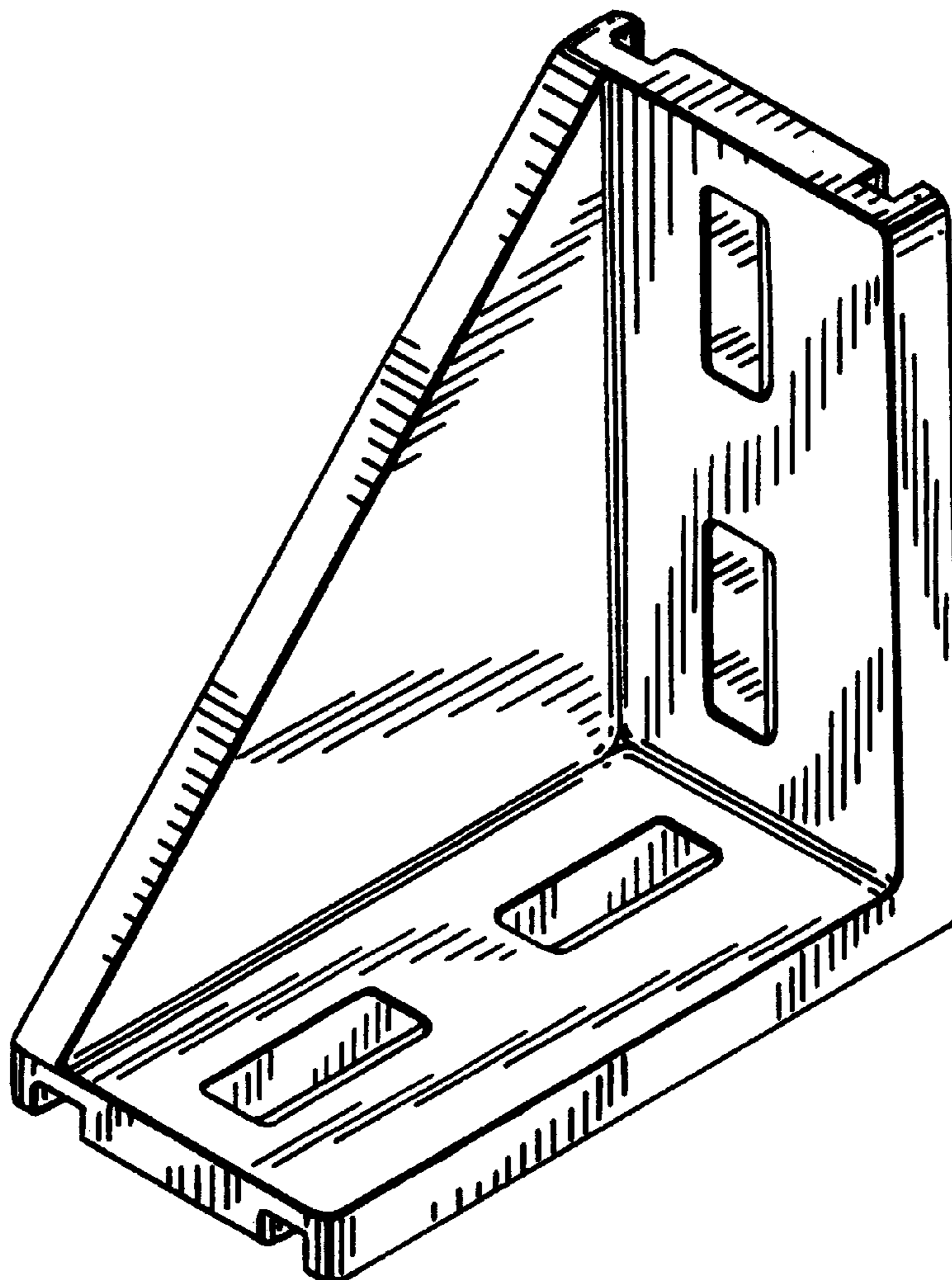
[57] **CLAIM**

The ornamental design for a fastening angle, as shown and described.

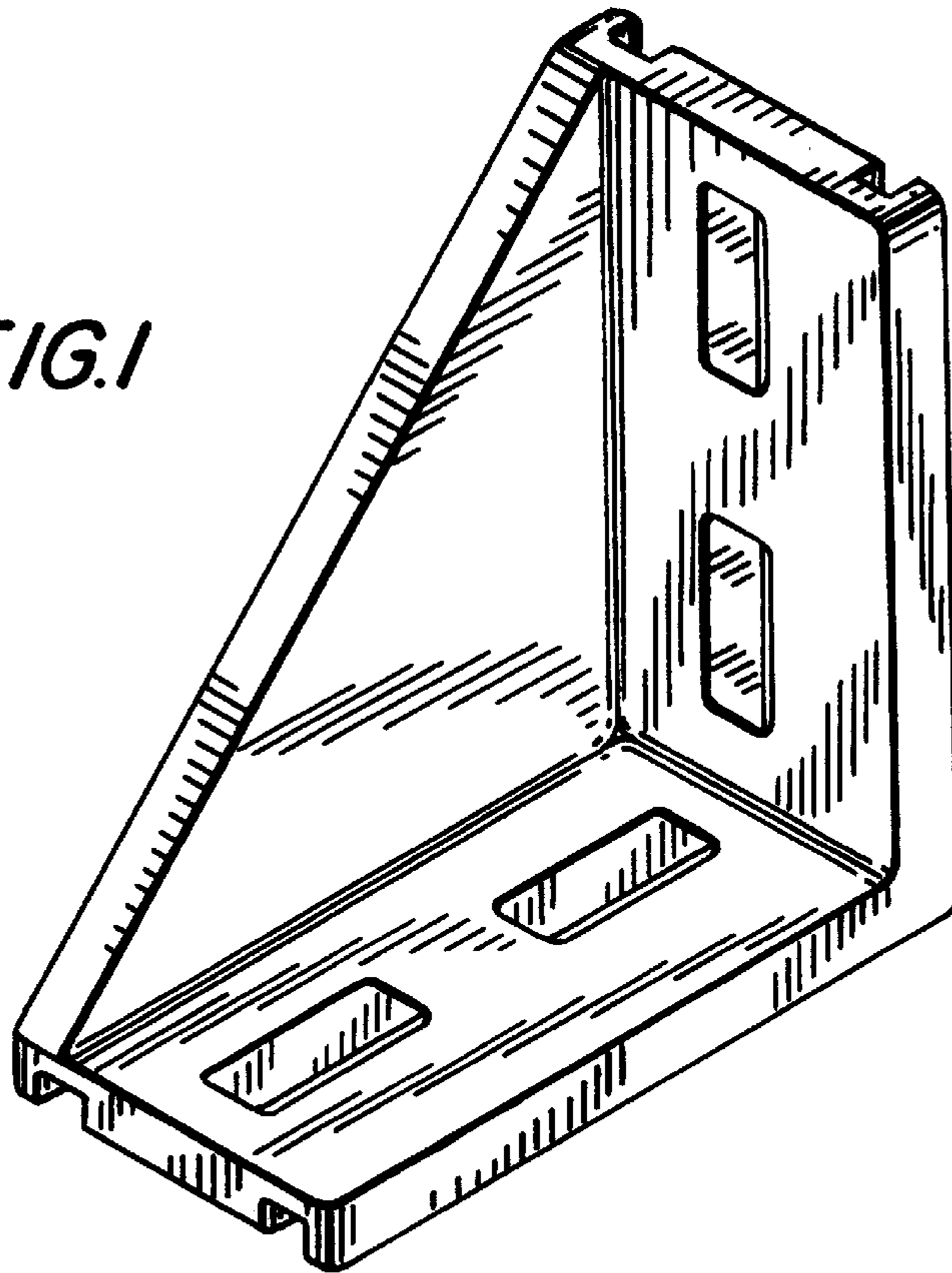
**DESCRIPTION**

FIG. 1 is a perspective view of a fastening angle showing our new design;  
FIG. 2 is a side view thereof;  
FIG. 3 is a front view thereof;  
FIG. 4 is a top plan view thereof;  
FIG. 5 is an opposite side view thereof;  
FIG. 6 is a rear view thereof; and,  
FIG. 7 is a bottom plan view thereof.

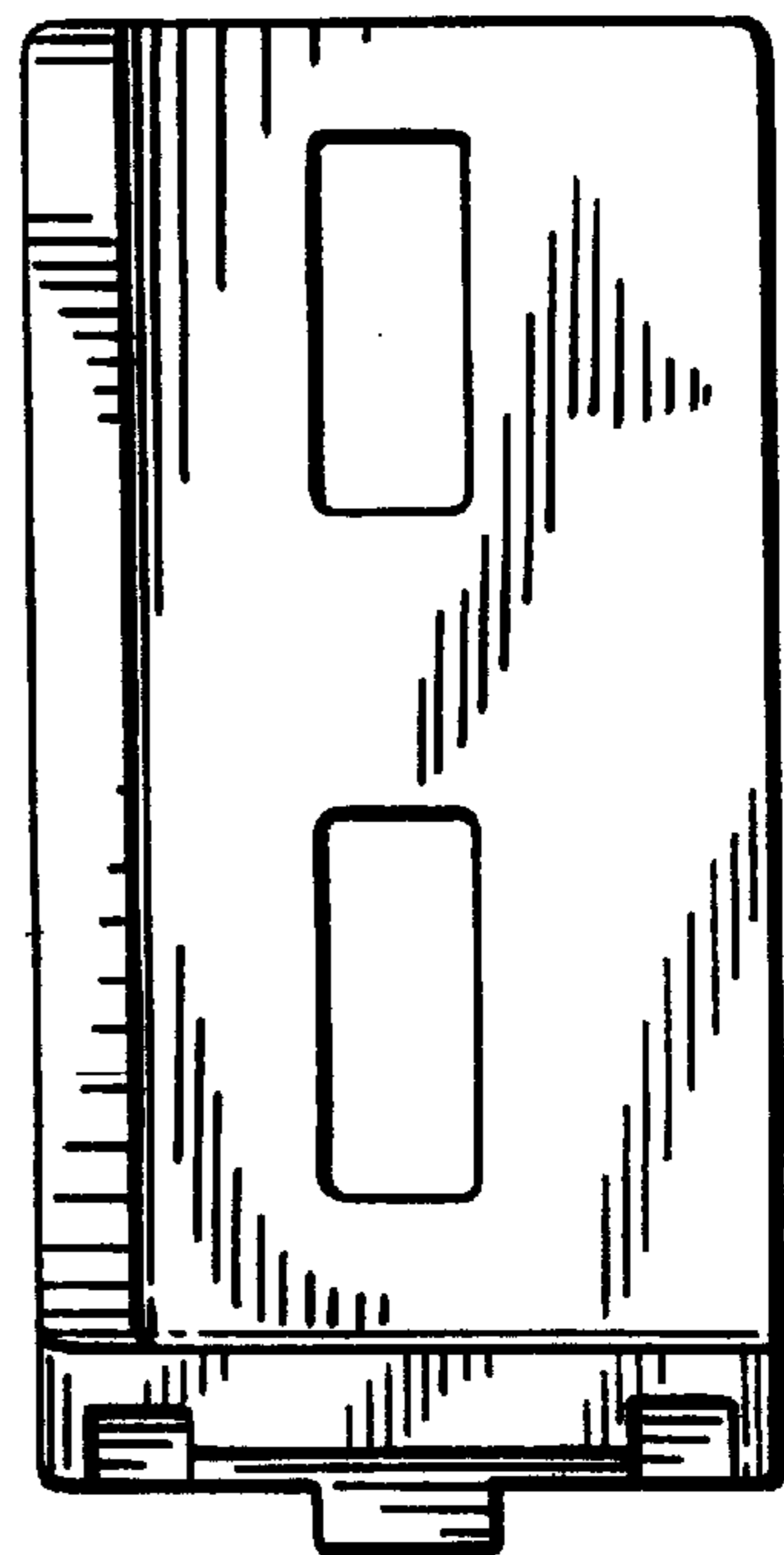
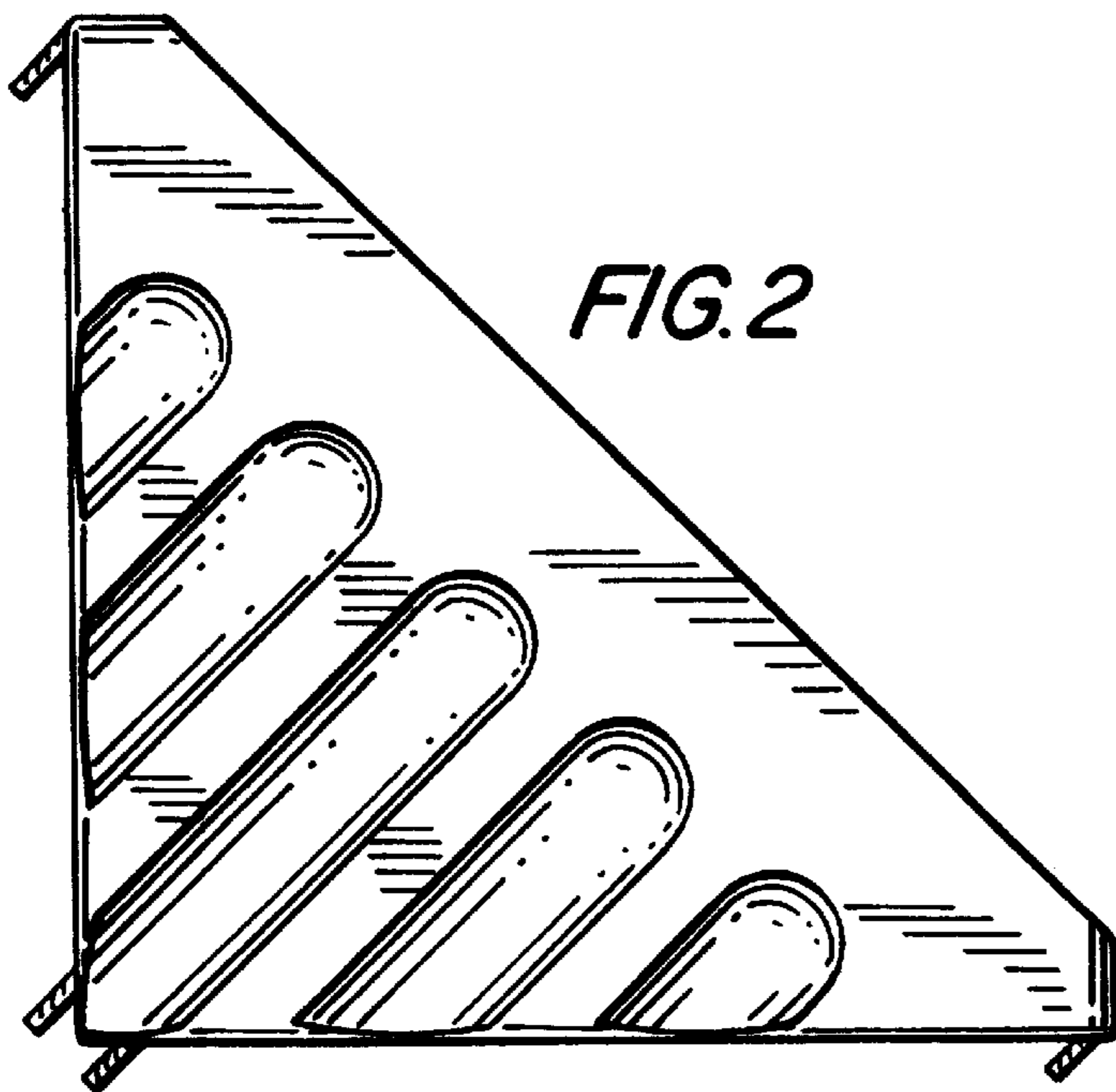
**1 Claim, 2 Drawing Sheets**



*FIG. 1*

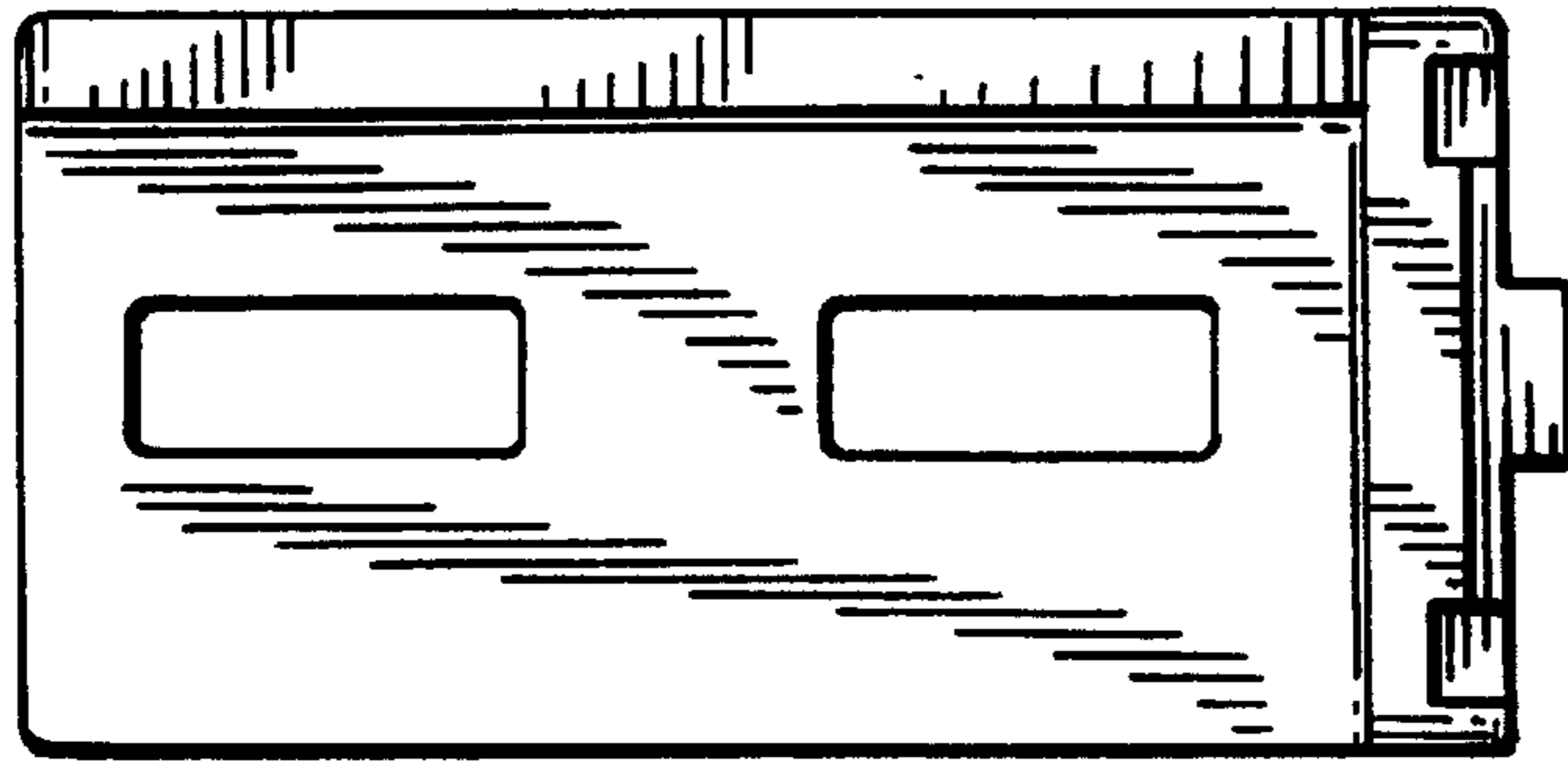


*FIG. 2*

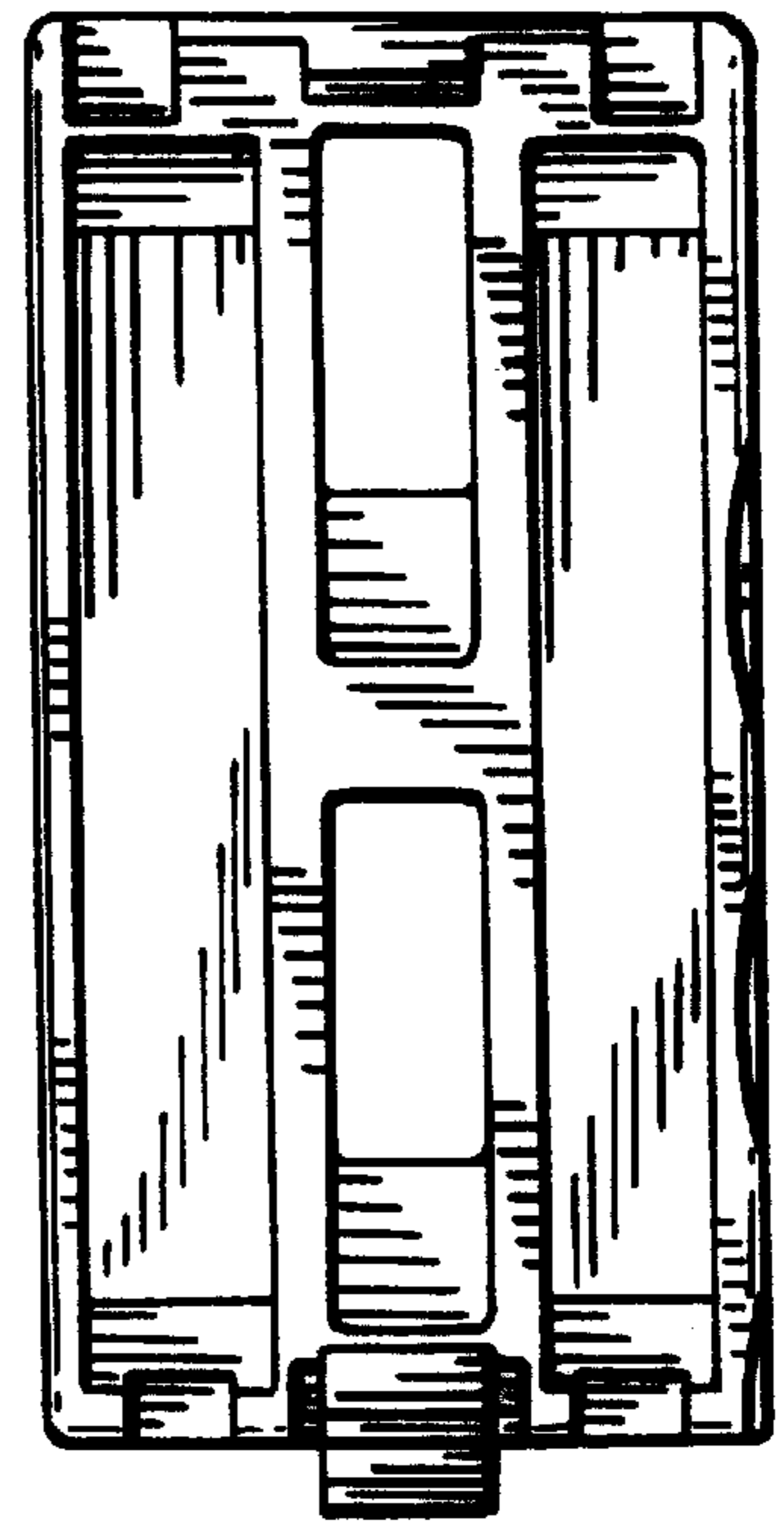
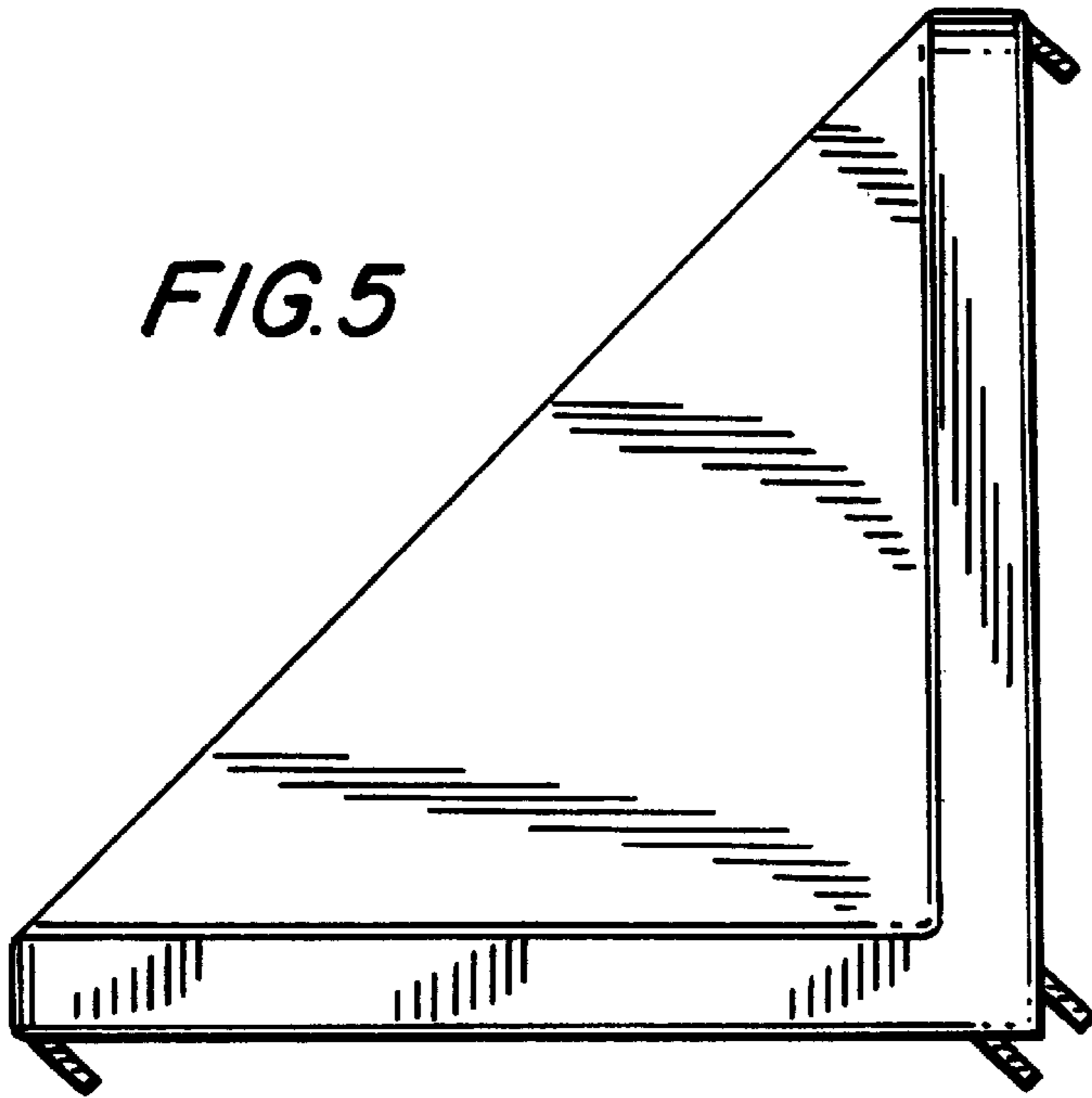


*FIG. 3*

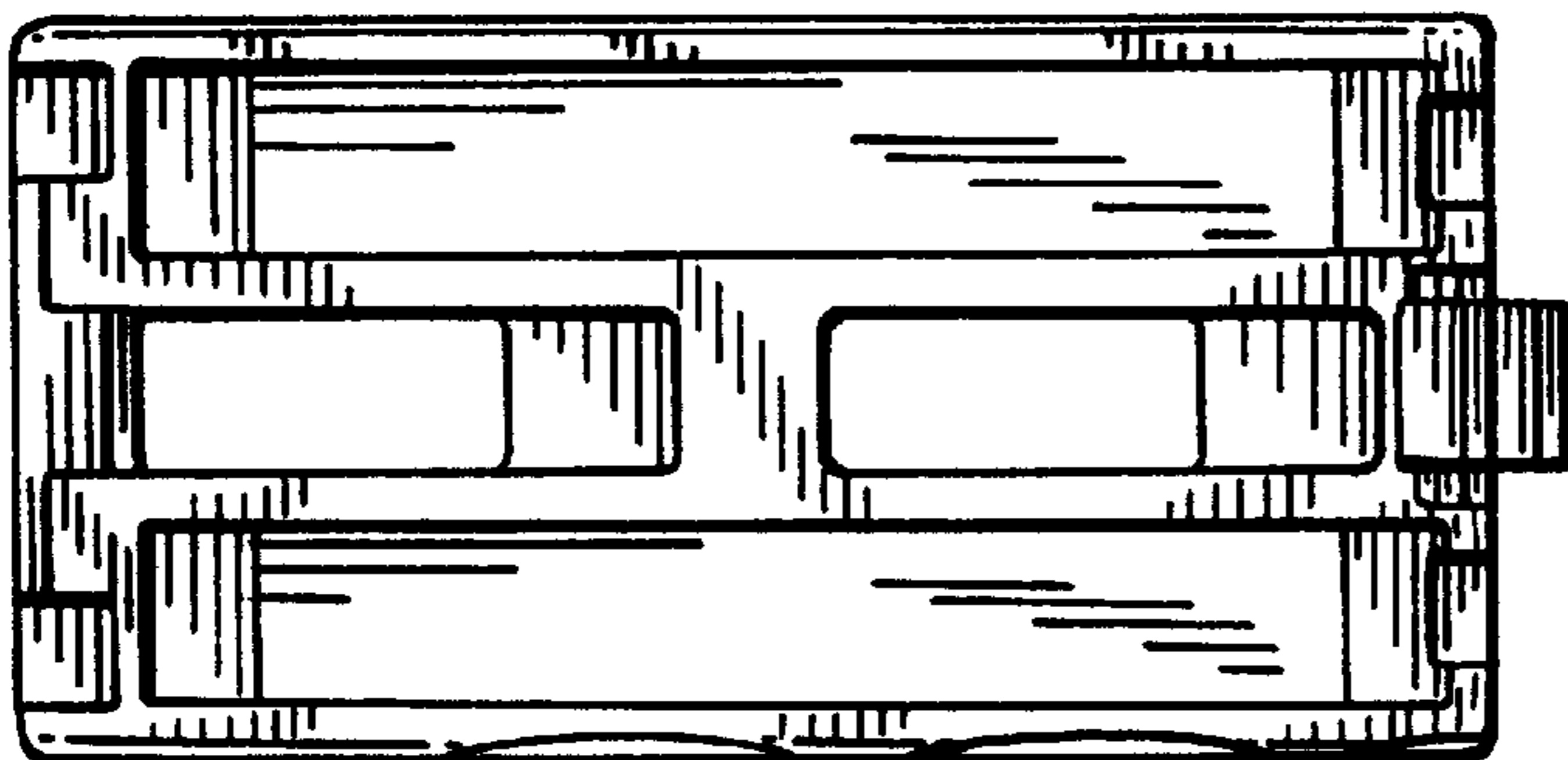
*FIG. 4*



*FIG. 5*



*FIG. 6*



*FIG. 7*