



US00D427889S

**United States Patent** [19]  
**Gretz**

[11] **Patent Number: Des. 427,889**

[45] **Date of Patent: \*\* Jul. 11, 2000**

[54] **MOUNTING DEVICE**

[75] Inventor: **Thomas J. Gretz**, Clarks Summit, Pa.

[73] Assignee: **Arlington Industries, Inc.**, Scranton, Pa.

[\*\*] Term: **14 Years**

[21] Appl. No.: **29/115,809**

[22] Filed: **Dec. 21, 1999**

**Related U.S. Application Data**

[63] Continuation-in-part of application No. 09/019,207, Feb. 5, 1998.

[51] **LOC (7) Cl.** ..... **08-05**

[52] **U.S. Cl.** ..... **D8/354**

[58] **Field of Search** ..... D8/349, 354; 248/27.1, 248/200, 300

[56] **References Cited**

**U.S. PATENT DOCUMENTS**

D. 194,373 1/1963 Long ..... D8/354  
D. 298,604 11/1988 Newton ..... D8/354 X  
5,263,676 11/1993 Medlin, Jr. et al. .... 248/300

*Primary Examiner*—Holly Baynham

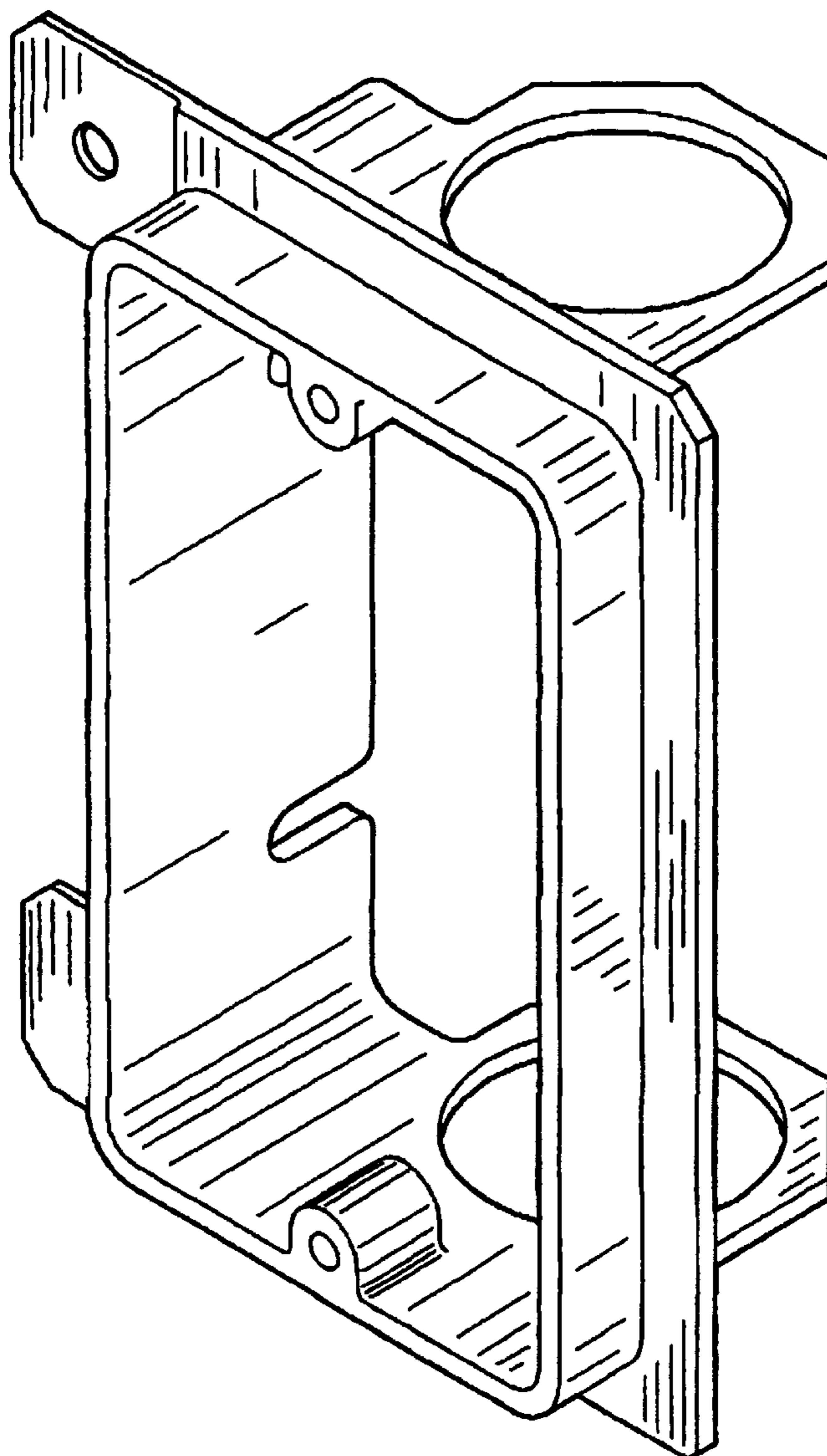
[57] **CLAIM**

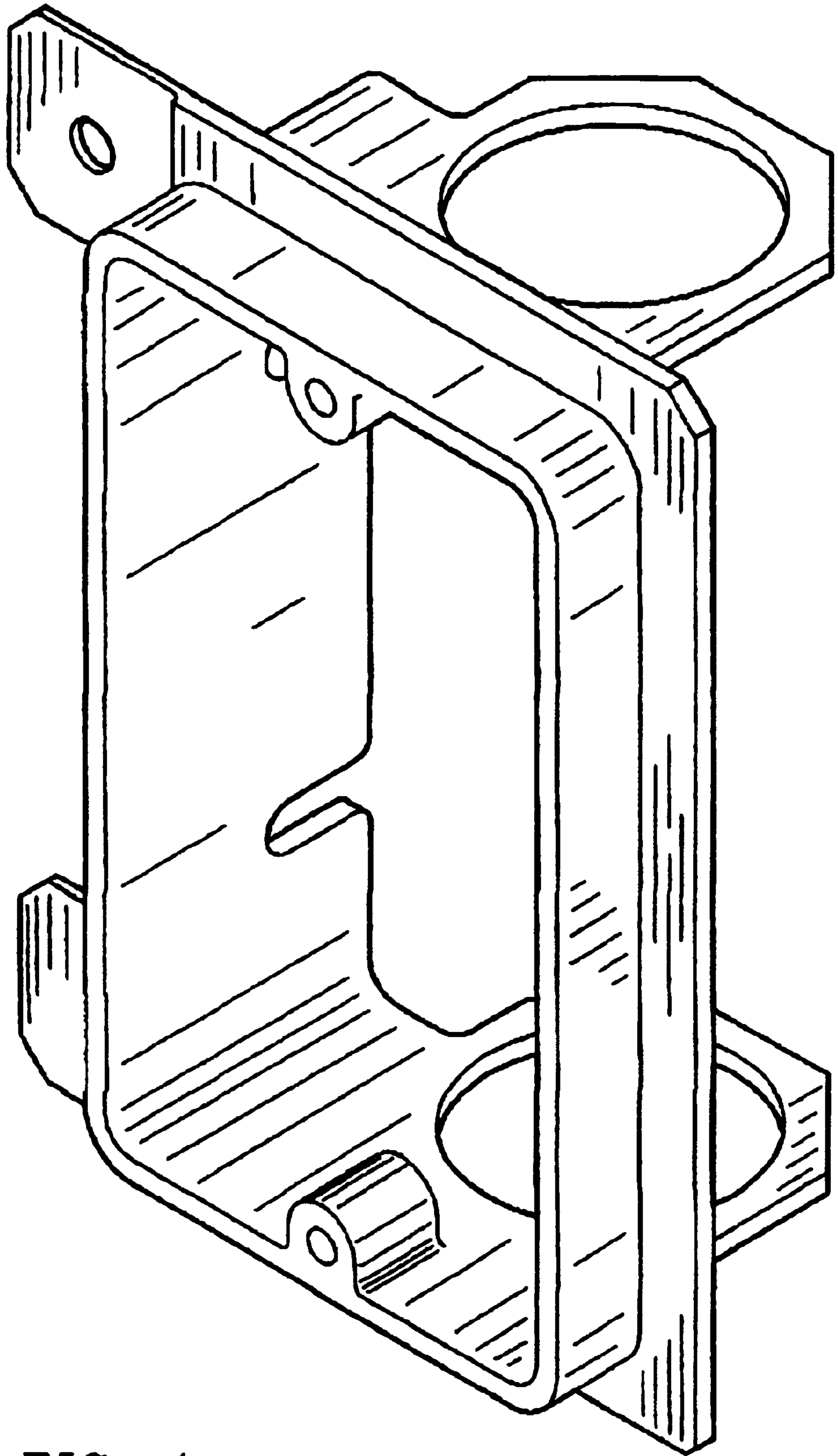
The ornamental design for a mounting device, as shown and described.

**DESCRIPTION**

FIG. 1 is a perspective view of the mounting device; FIG. 2 is a front view of the mounting device; and, FIG. 3 is a top view of the mounting device.

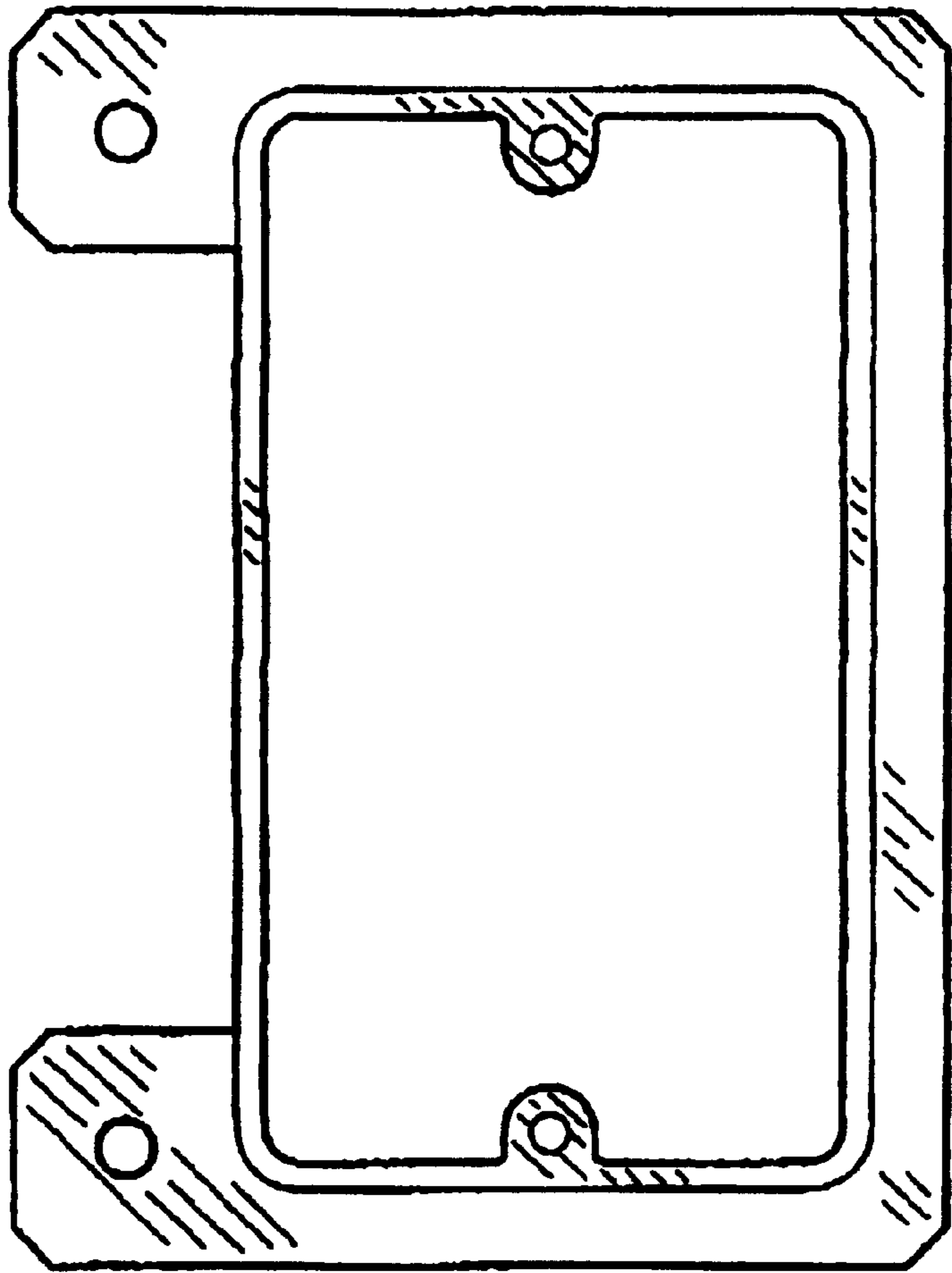
**1 Claim, 2 Drawing Sheets**





**FIG. 1**

*FIG. 2*



*FIG. 3*

