



US00D427886S

United States Patent [19]

[11] **Patent Number: Des. 427,886**

Markegard et al.

[45] **Date of Patent: ** Jul. 11, 2000**

[54] **WHEEL BLOCKING BRAKE LOCK**

[75] Inventors: **Harvey K. Markegard; Joseph M. Higgins**, both of Billings, Mont.

[73] Assignee: **Blockit & Lockit Systems**, Billings, Mont.

[**] Term: **14 Years**

[21] Appl. No.: **29/109,863**

[22] Filed: **Aug. 24, 1999**

[51] **LOC (7) Cl.** **08-07**

[52] **U.S. Cl.** **D8/341**

[58] **Field of Search** D8/331, 341, 339, D8/330, 225, 226, 258, 259, 260; 224/42.25; 70/225, 226, 235

[56] **References Cited**

U.S. PATENT DOCUMENTS

D. 381,255	7/1997	Stanak	D8/346
D. 411,821	7/1999	Markegard et al.	D12/177
D. 418,391	1/2000	Tsoi	D8/341
D. 419,424	1/2000	Holden	D8/341
D. 421,707	3/2000	Gregory	D8/341
D. 478,203	12/1999	Allen et al.	D8/336

Primary Examiner—Melody N. Brown

Attorney, Agent, or Firm—Rick Martin; Patent Law Offices of Rick Martin, P.C.

[57] **CLAIM**

We claim the ornamental design for a wheel blocking brake lock, as shown and described.

DESCRIPTION

FIG. 1 is a front perspective view of a wheel blocking brake lock showing my new design in the locked position the tire shown in broken lines is for illustrative purposes only and forms no part of the claimed design.

FIG. 2 is a front elevational view of the wheel blocking brake lock shown in a partly open position.

FIG. 3 is a back elevational view of the wheel blocking brake lock.

FIG. 4 is a top plan view of the wheel blocking brake lock.

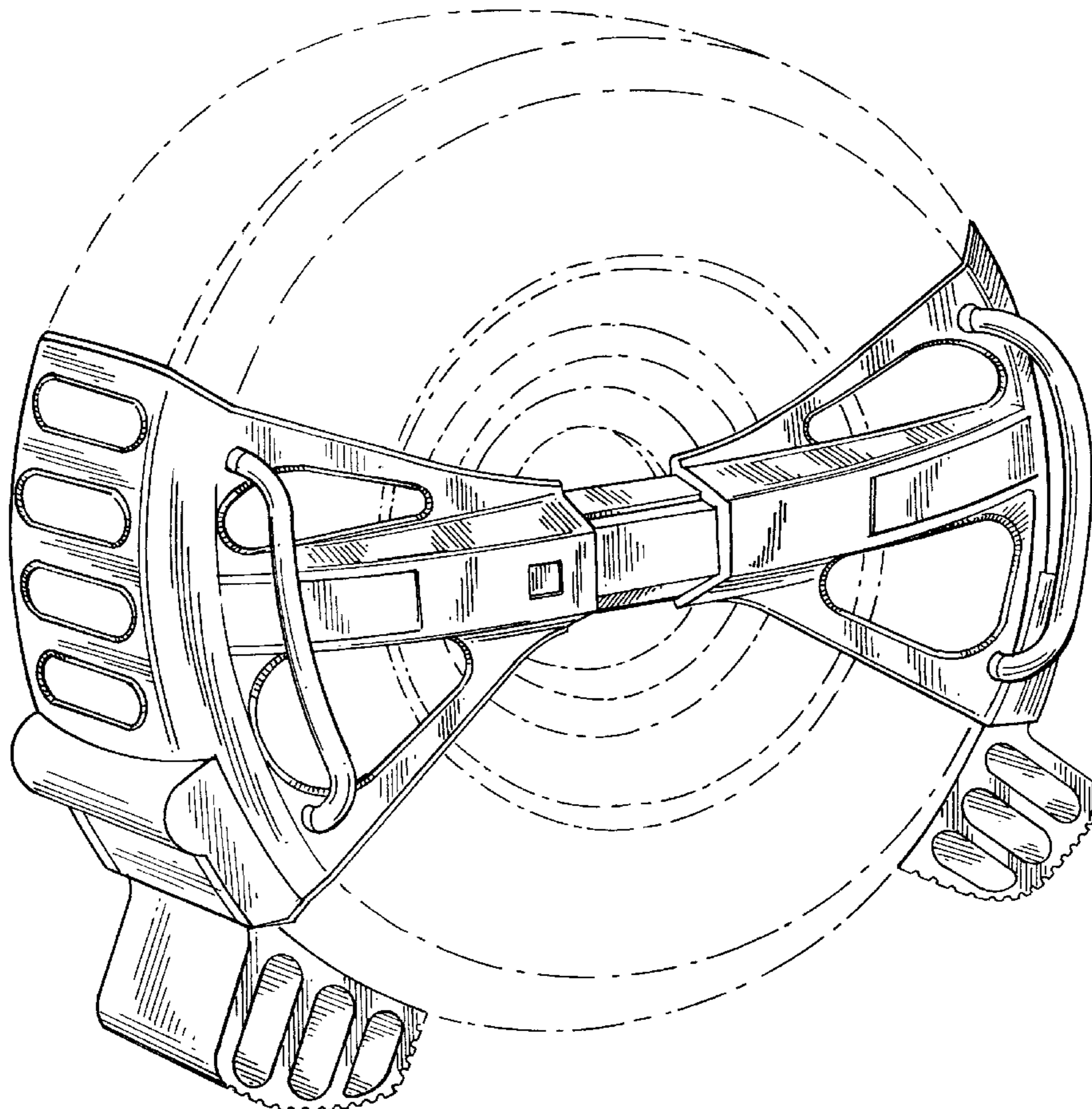
FIG. 5 is a bottom plan view of the wheel blocking brake lock.

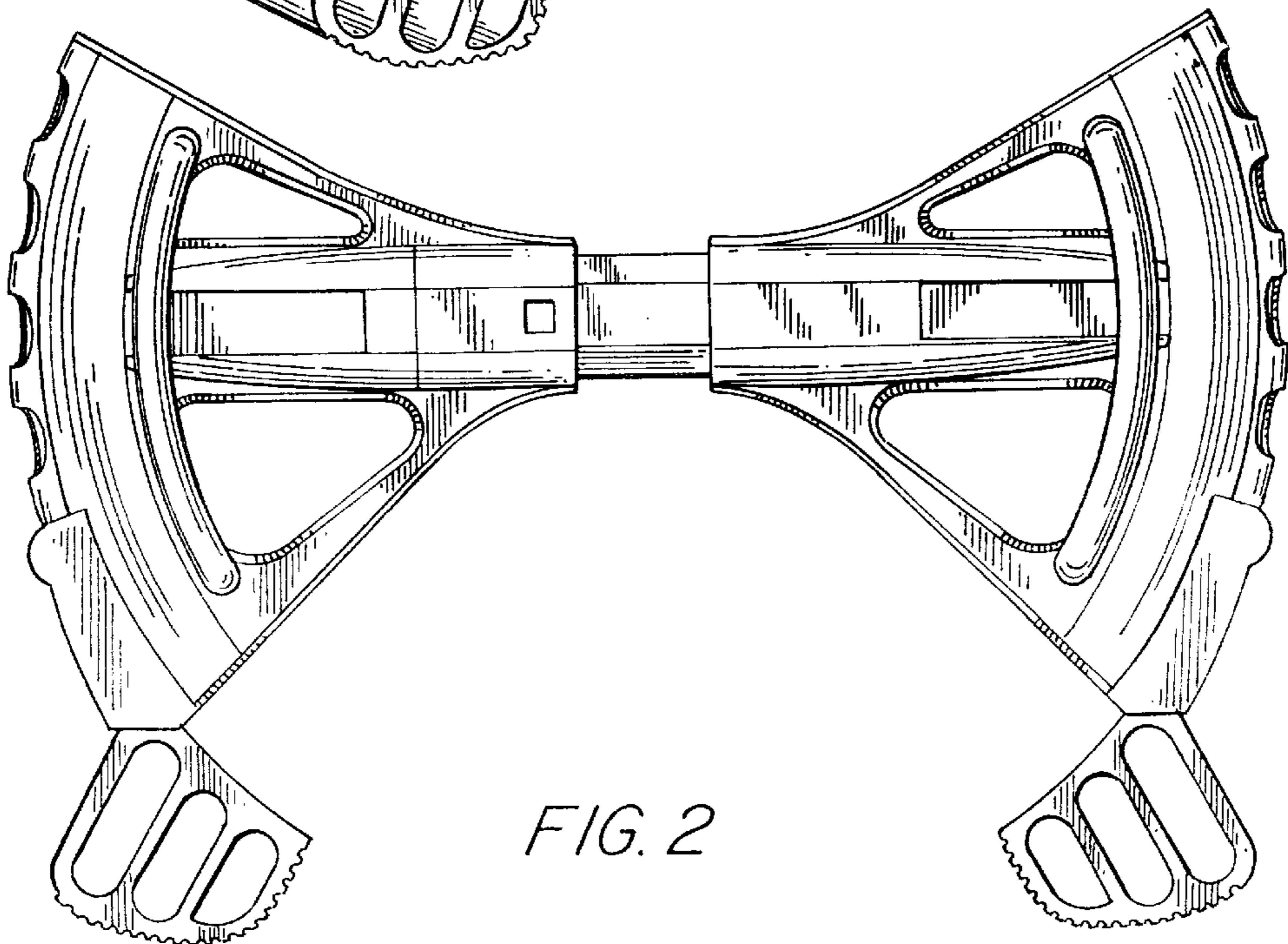
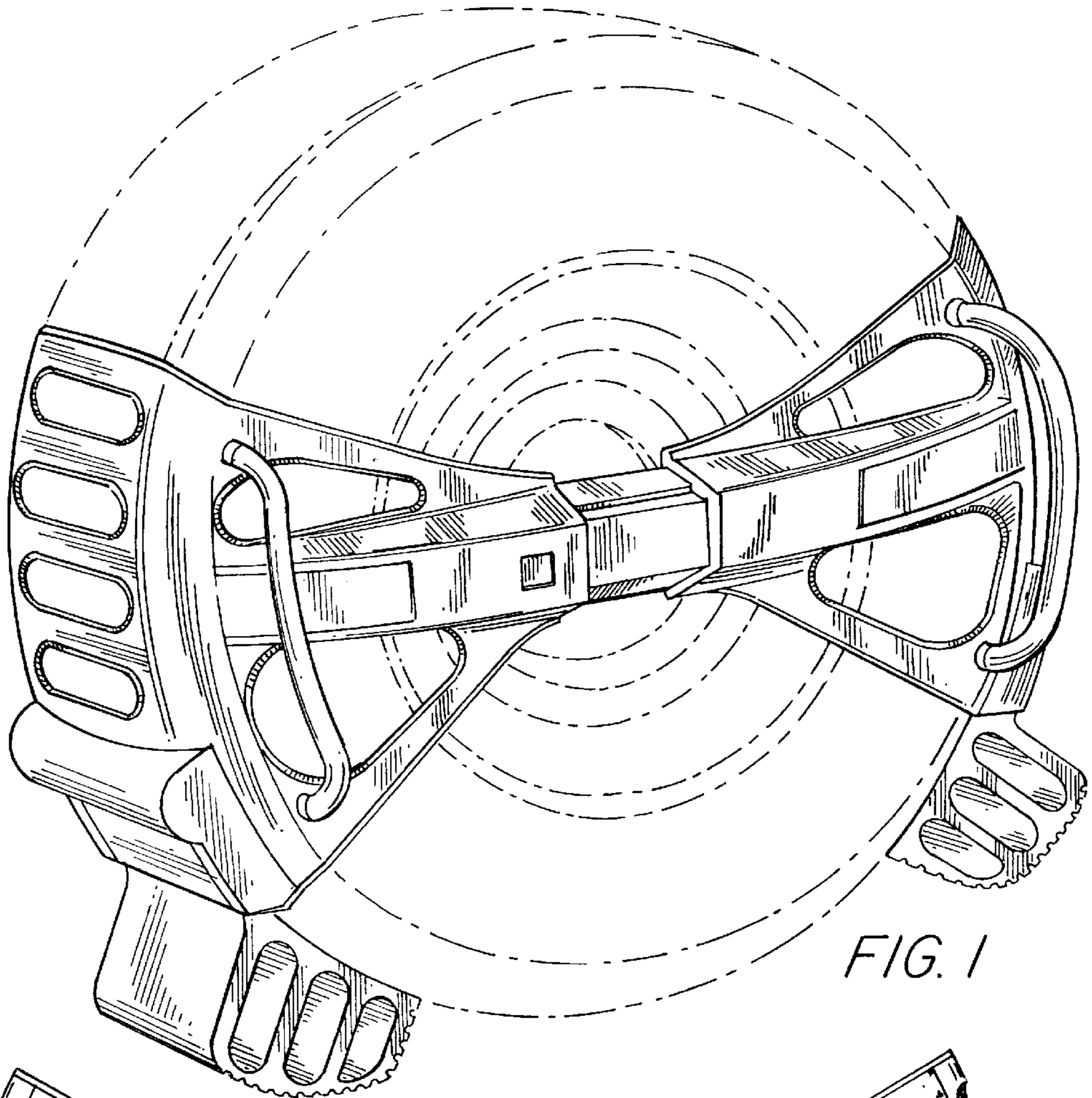
FIG. 6 is a right side elevational view of the wheel blocking brake lock.

FIG. 7 is a left side elevational view of the wheel blocking brake lock; and,

FIG. 8 is a front elevational view of the wheel blocking brake lock in the completely closed position, and the blocks in the retracted position.

1 Claim, 3 Drawing Sheets





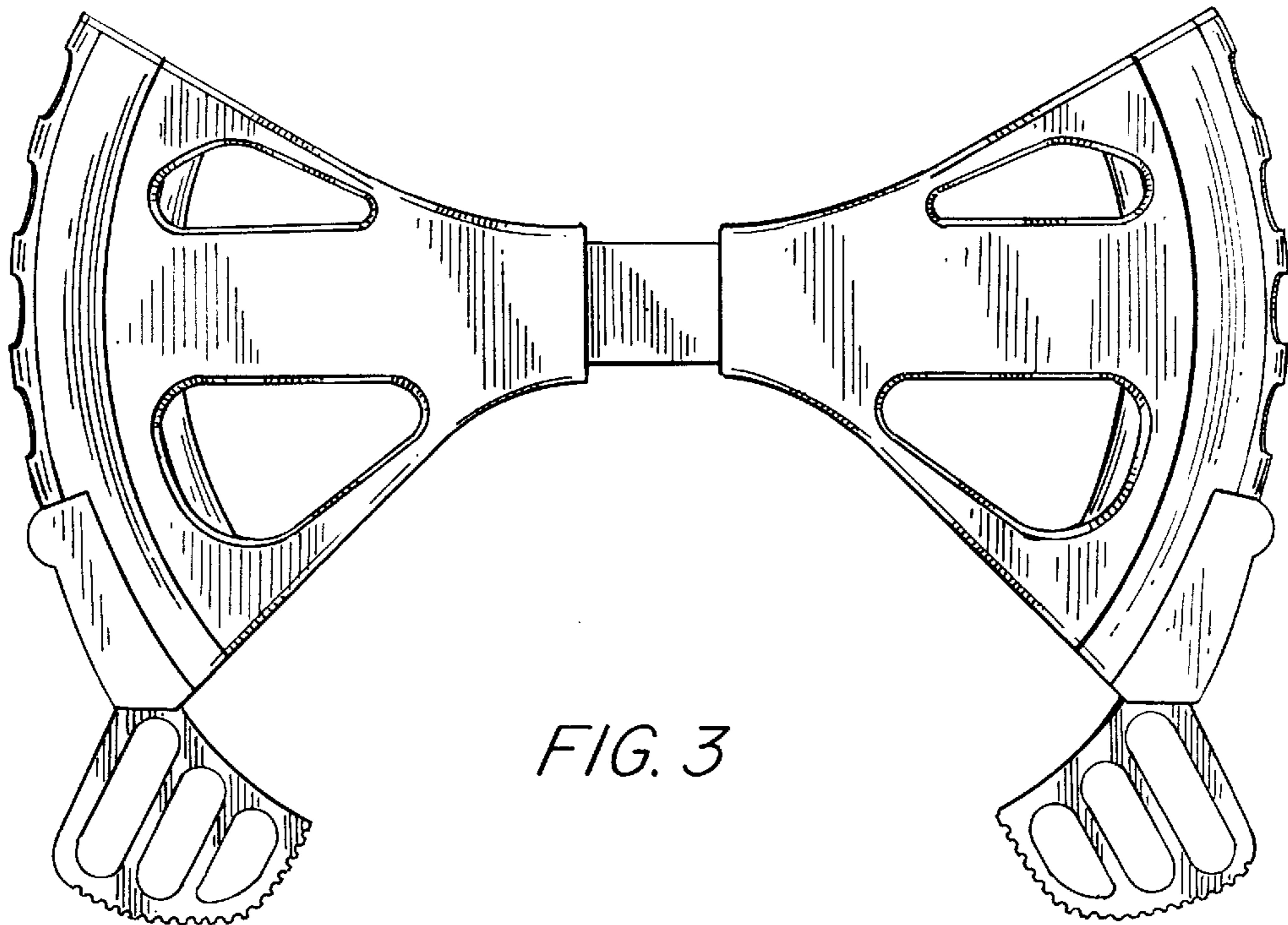


FIG. 3

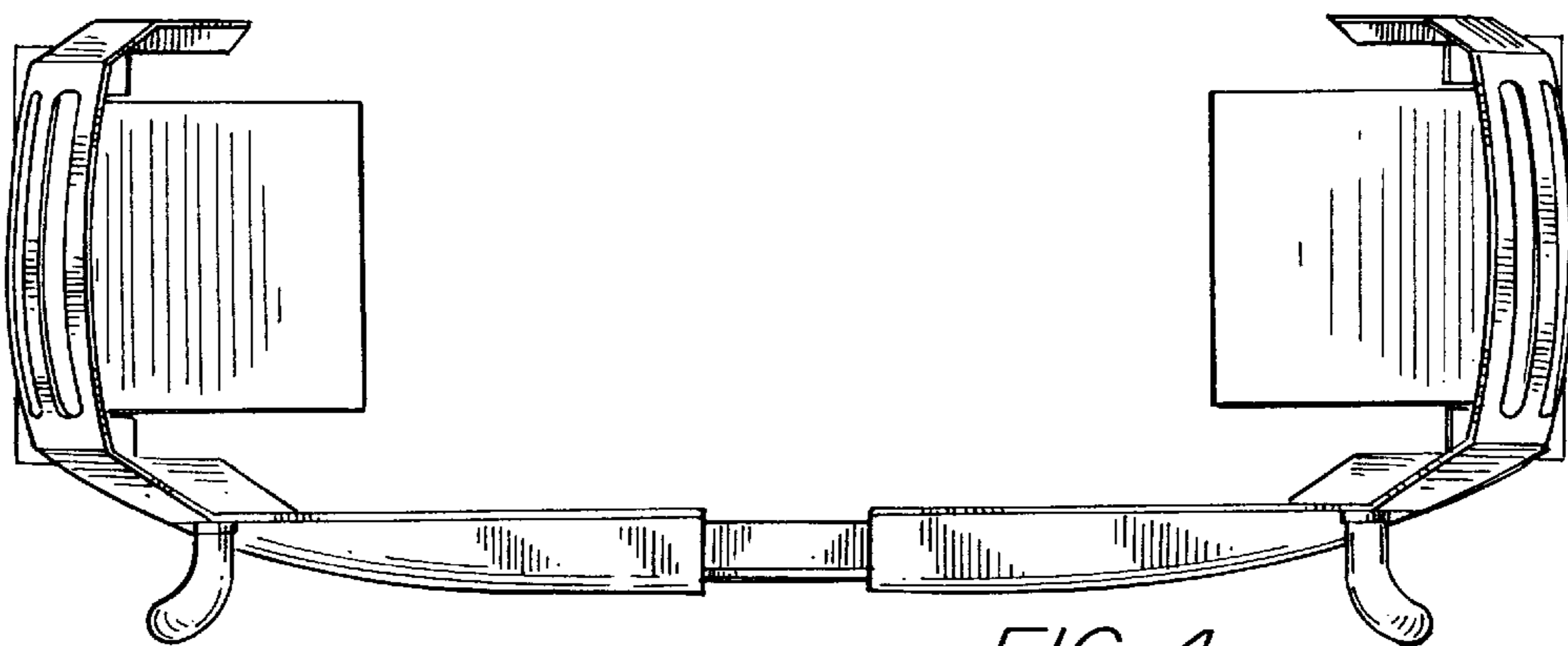


FIG. 4

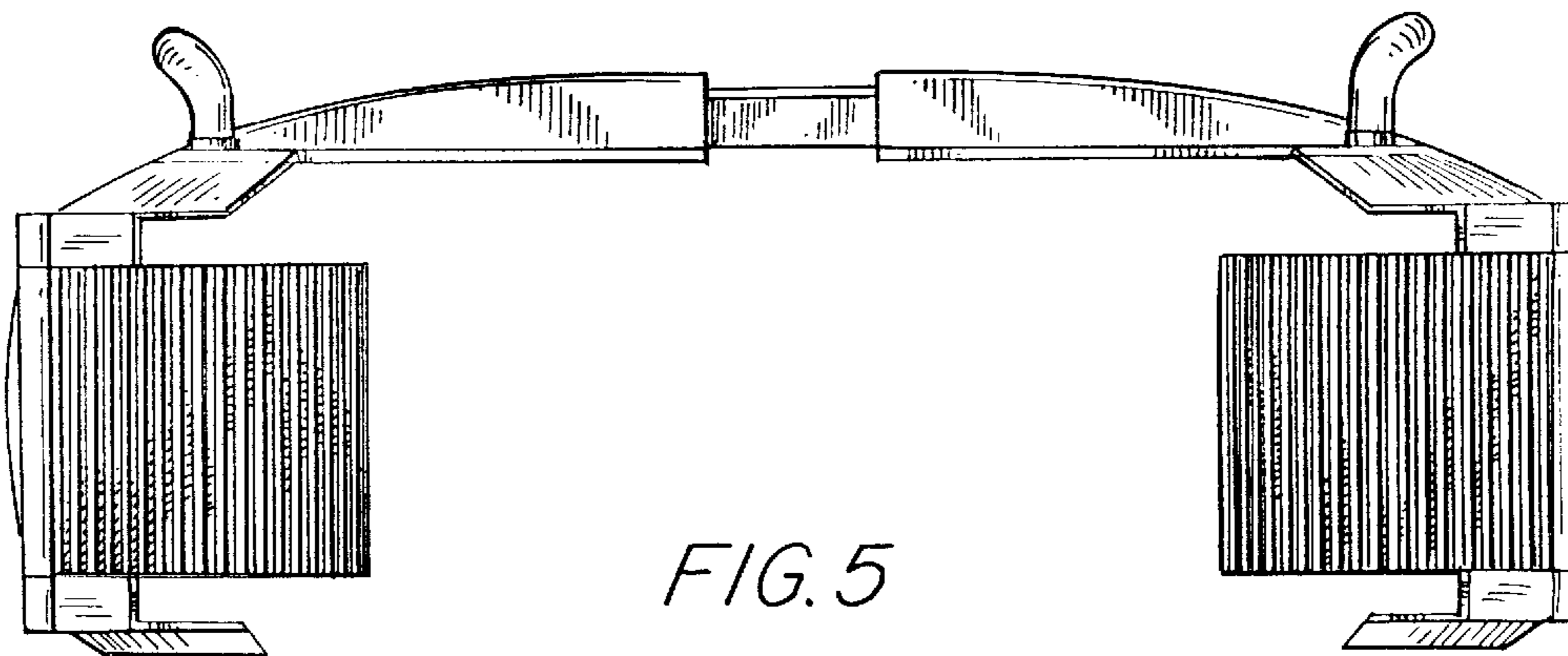


FIG. 5

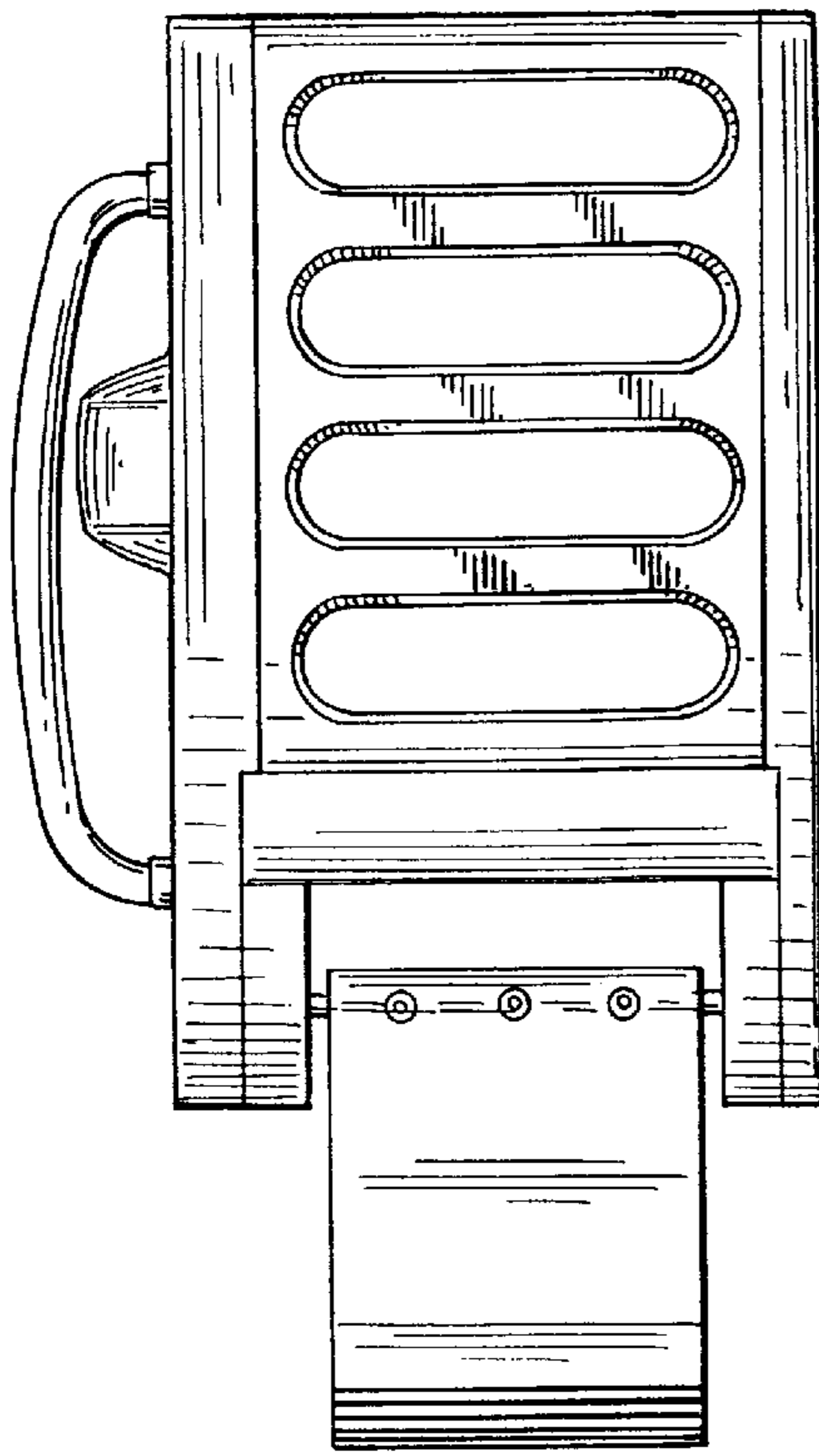


FIG. 6

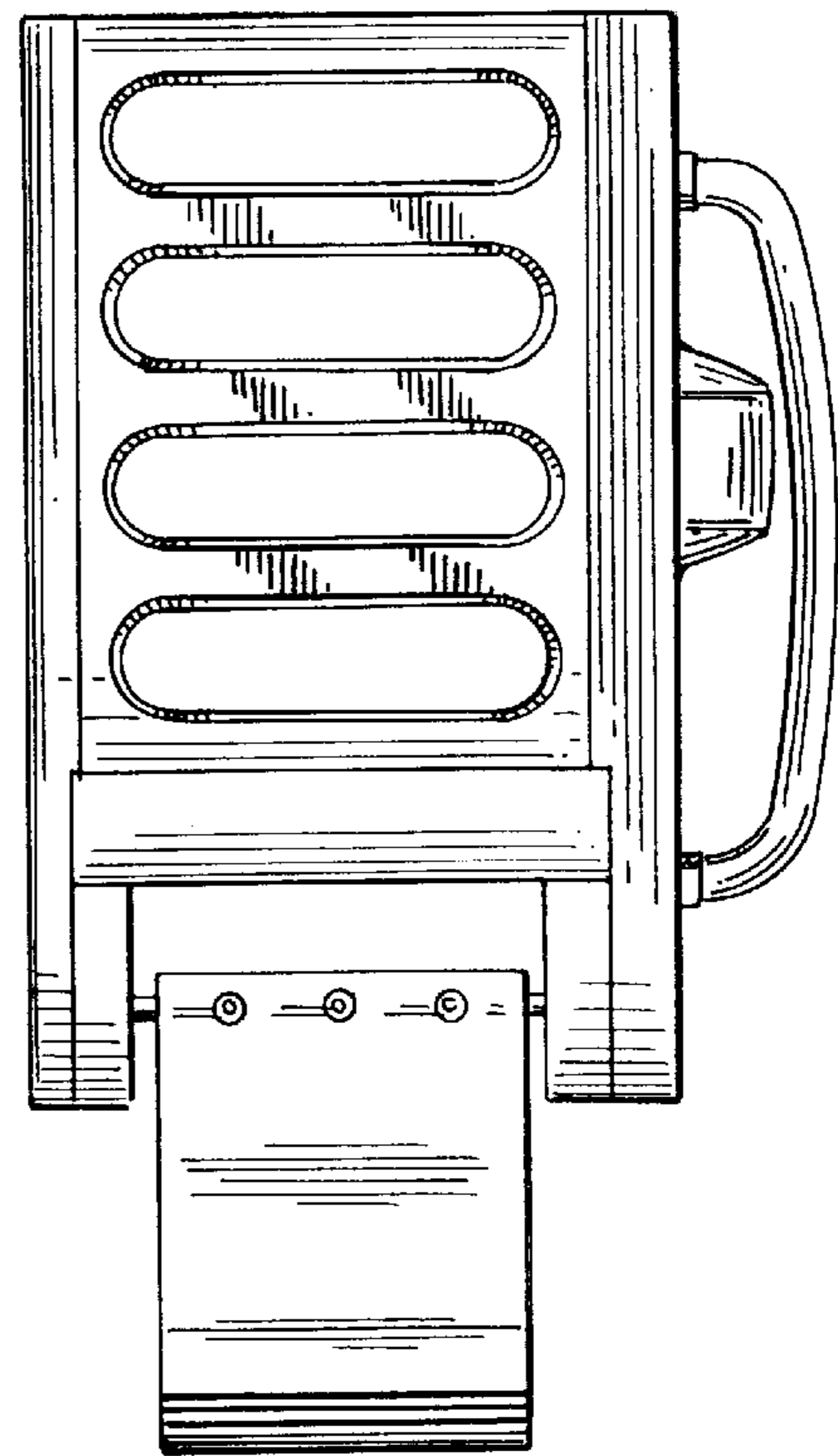


FIG. 7

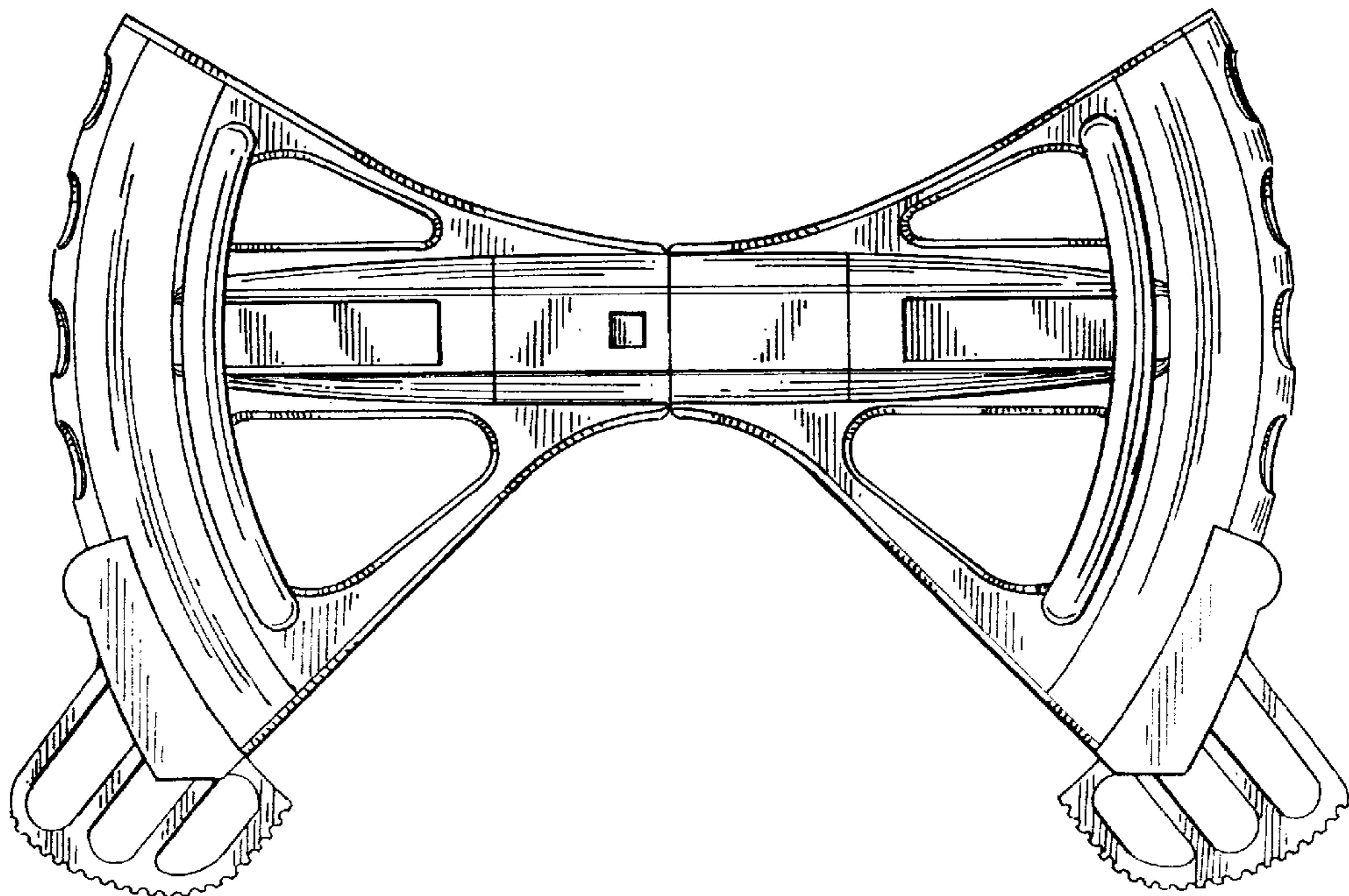


FIG. 8