



US00D427885S

United States Patent [19]

Ayrest

[11] Patent Number: Des. 427,885

[45] Date of Patent: ** Jul. 11, 2000

[54] HASP

[76] Inventor: Robert B. Ayrest, 6160 Cobblestone Rd., Placerville, Calif. 95667

[**] Term: 14 Years

[21] Appl. No.: 29/097,936

[22] Filed: Dec. 17, 1998

[51] LOC (7) Cl. 08-07

[52] U.S. Cl. D8/336

[58] Field of Search D8/330, 331, 343, D8/344, 336, 345; 70/2; 292/281, 283, 285

[56] References Cited

U.S. PATENT DOCUMENTS

D. 306,130	2/1990	Bobrowski et al.	D8/336 X
D. 411,797	7/1999	Schultz	D8/343
4,331,356	5/1982	Noel	292/281
4,793,163	12/1988	MacFarlane et al.	70/2
5,409,276	4/1995	Engasser	292/281
5,456,506	10/1995	Bartlett	292/281
5,732,575	3/1998	Kaveney	70/2

OTHER PUBLICATIONS

Hasp, ABC Plastics, Inc. Brochure, 1997.

Primary Examiner—Susan J. Lucas

Assistant Examiner—Jennifer Rivard

Attorney, Agent, or Firm—Bernhard Kreten

[57] CLAIM

The ornamental design for a hasp, as shown and described.

DESCRIPTION

FIG. 1 is a top elevational perspective view of a hasp showing my new design.

FIG. 2 is an end view thereof.

FIG. 3 is an opposite end view thereof.

FIG. 4 is a top view thereof.

FIG. 5 is a side view thereof, the opposite side view being a mirror image.

FIG. 6 is a bottom view thereof.

FIG. 7 is a perspective view thereof.

FIG. 8 is an end view thereof.

FIG. 9 is an opposite end view thereof.

FIG. 10 is a top view thereof.

FIG. 11 is a side view thereof, the opposite side view being a mirror image.

FIG. 12 is a bottom view thereof.

FIG. 13 is a perspective view thereof.

FIG. 14 is a side view thereof, the opposite side view being a mirror image.

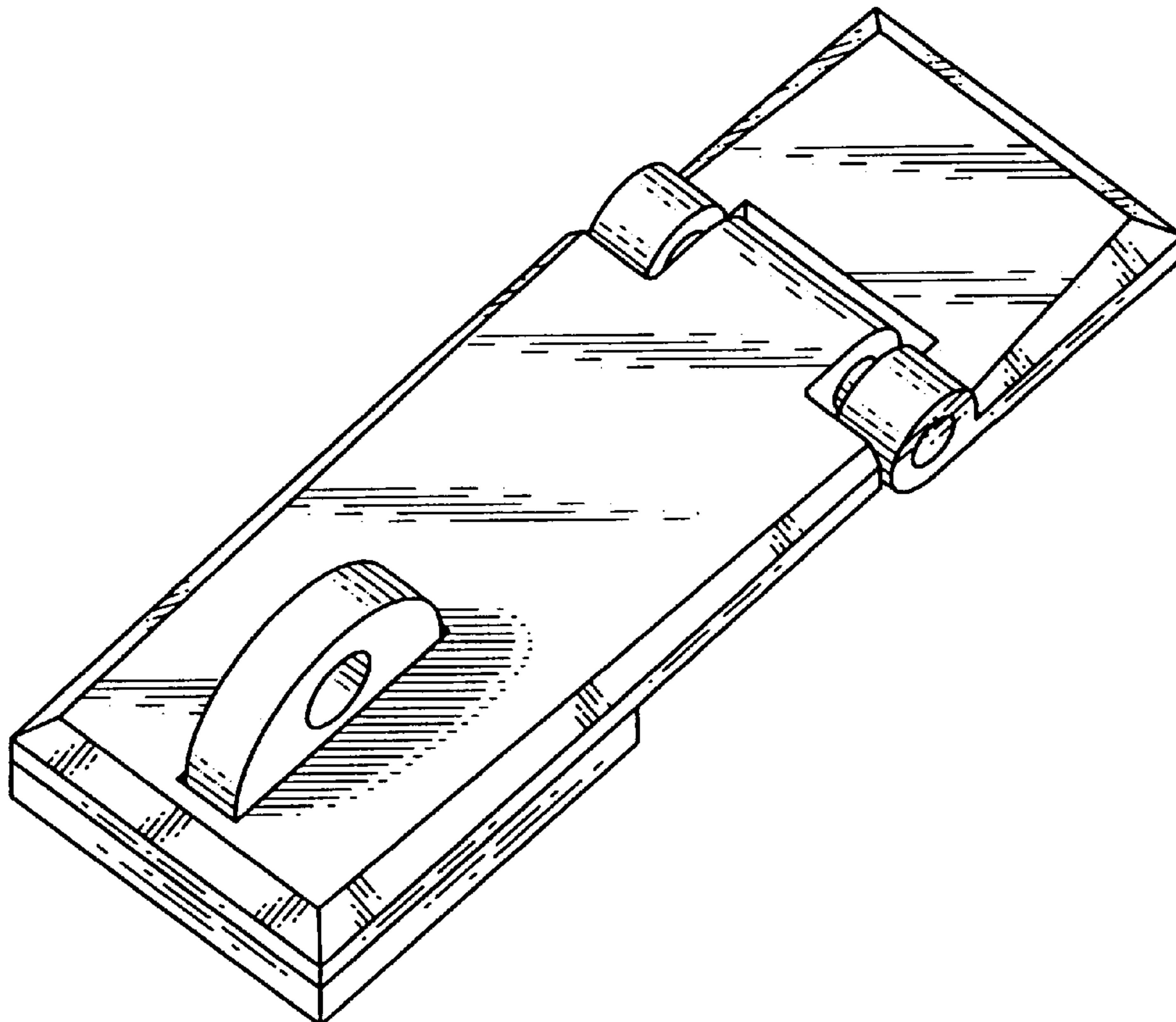
FIG. 15 is an end view thereof, the opposite end view being a mirror image.

FIG. 16 is a bottom view thereof; and,

FIG. 17 is a top view thereof.

For convenience of illustration, the two sections of the hasp have been disclosed separately.

1 Claim, 3 Drawing Sheets



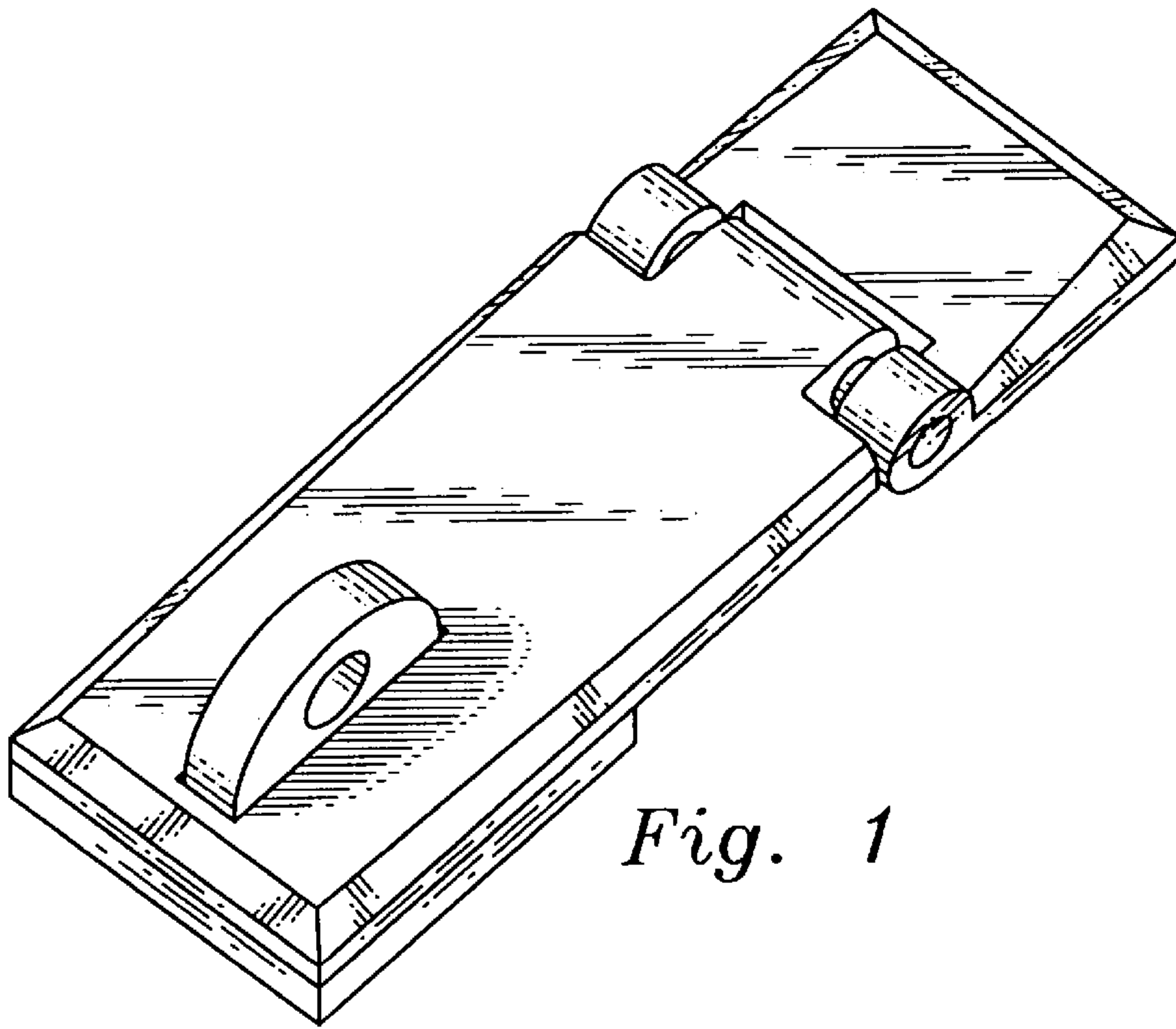


Fig. 1

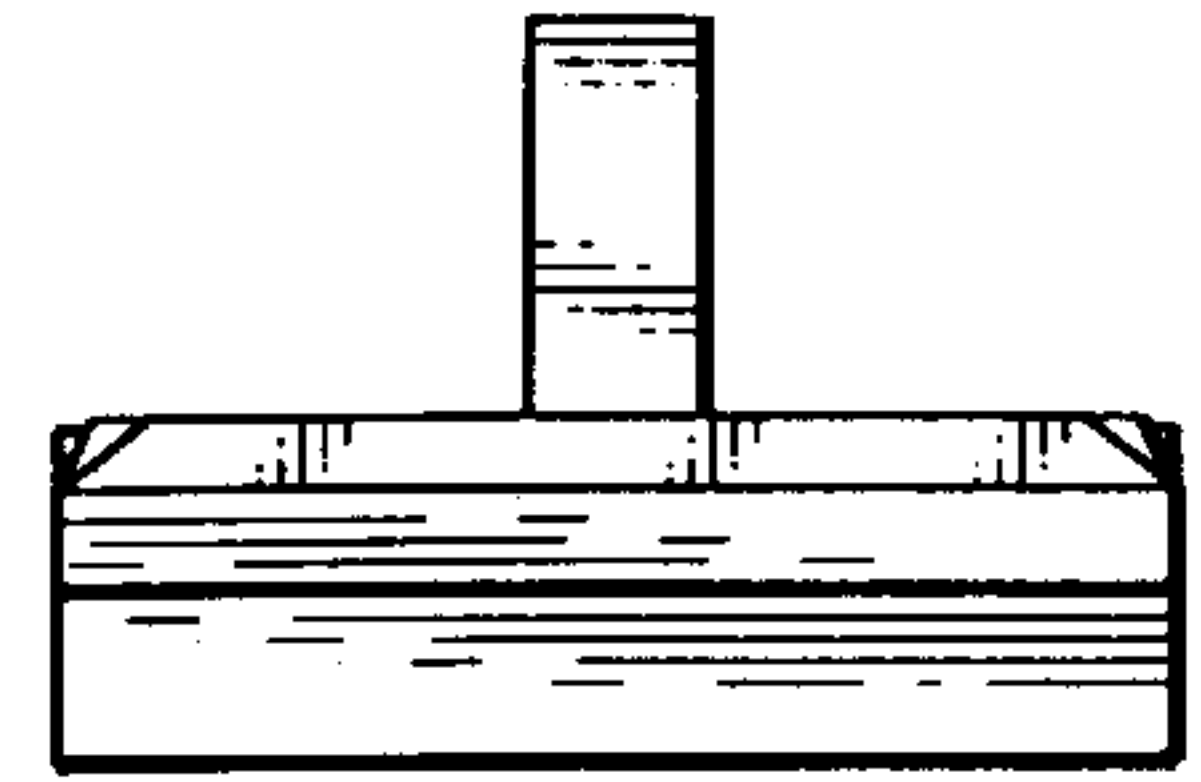


Fig. 2

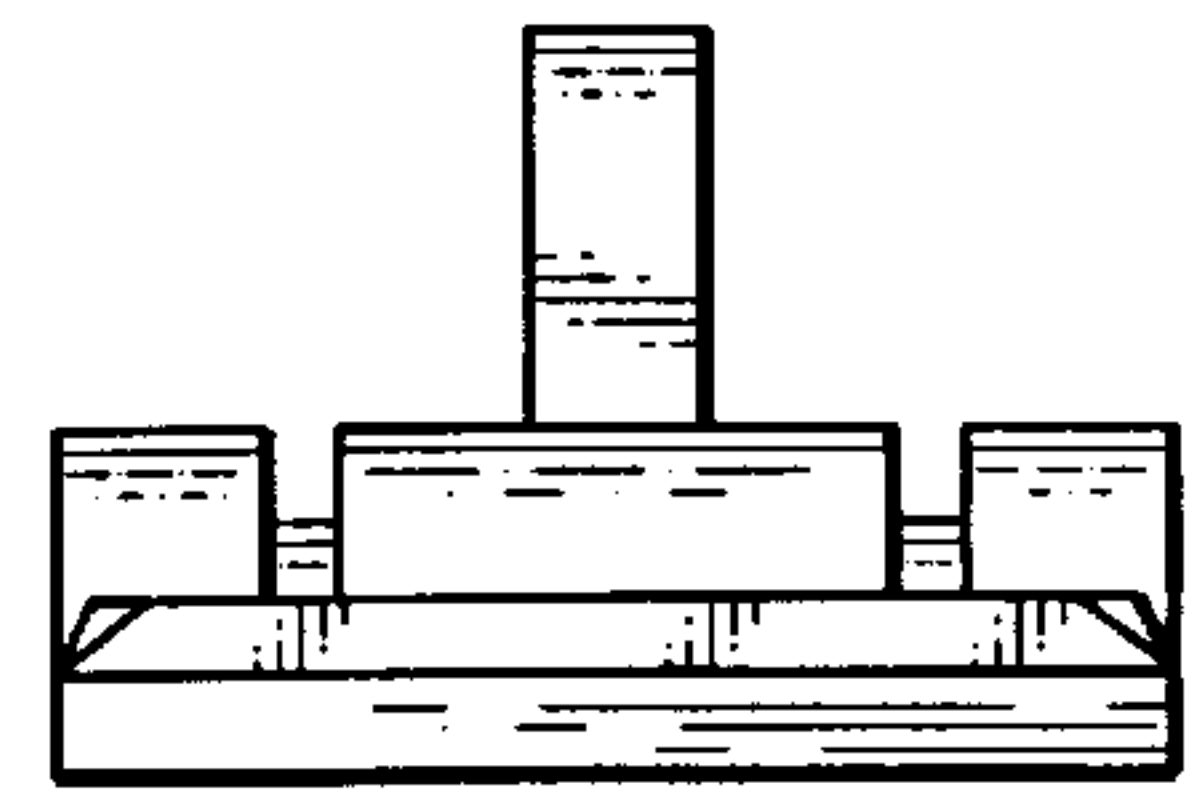


Fig. 3

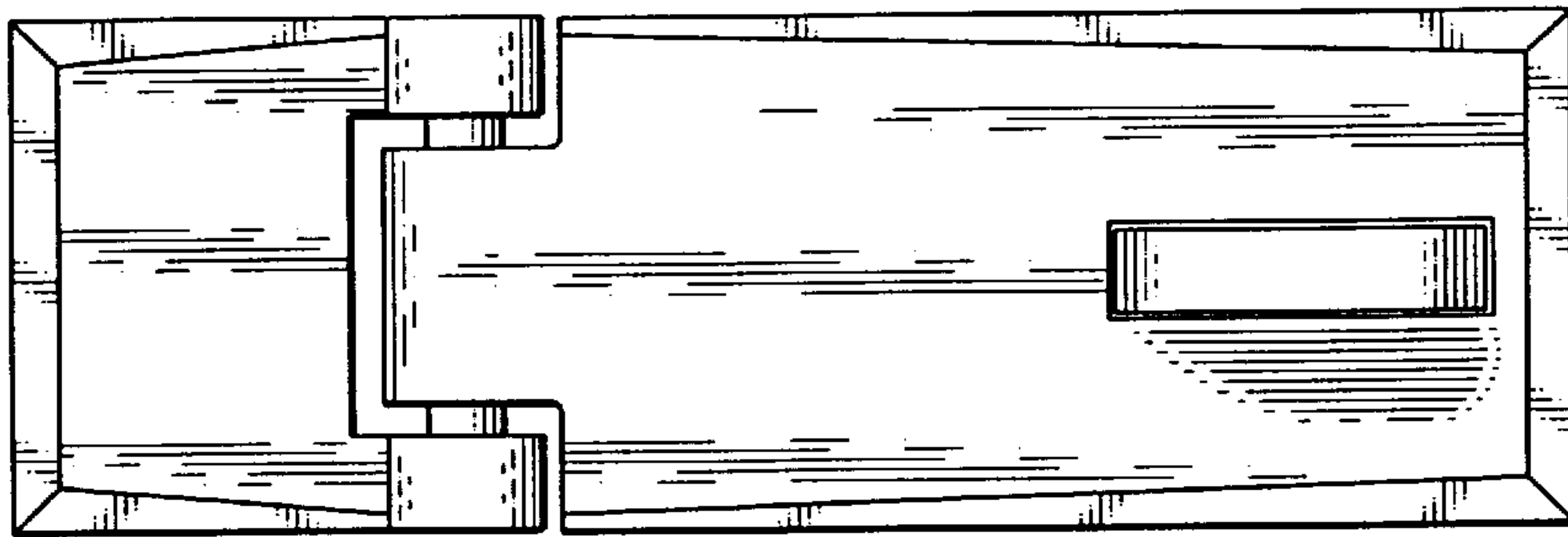


Fig. 4

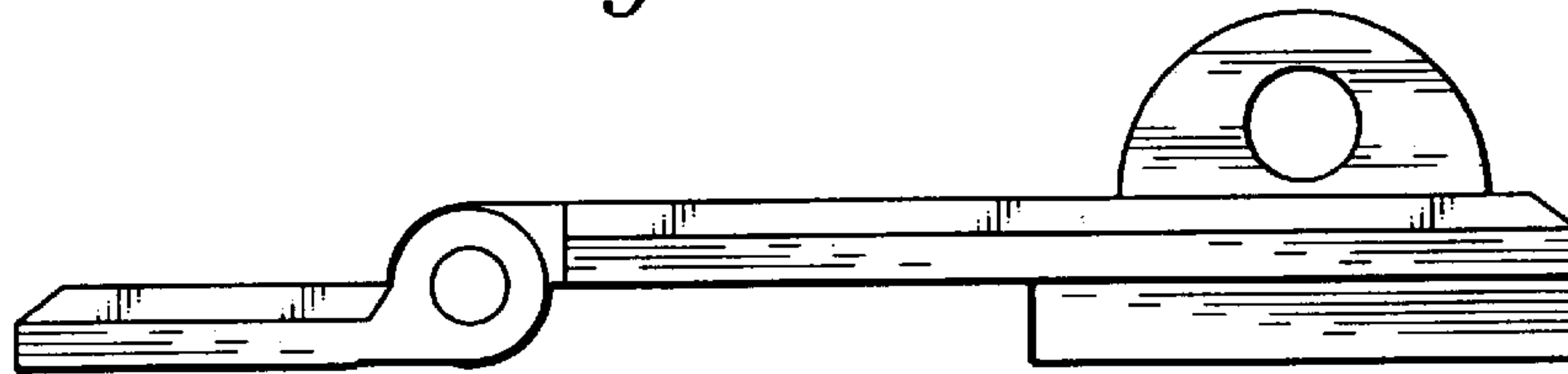


Fig. 5

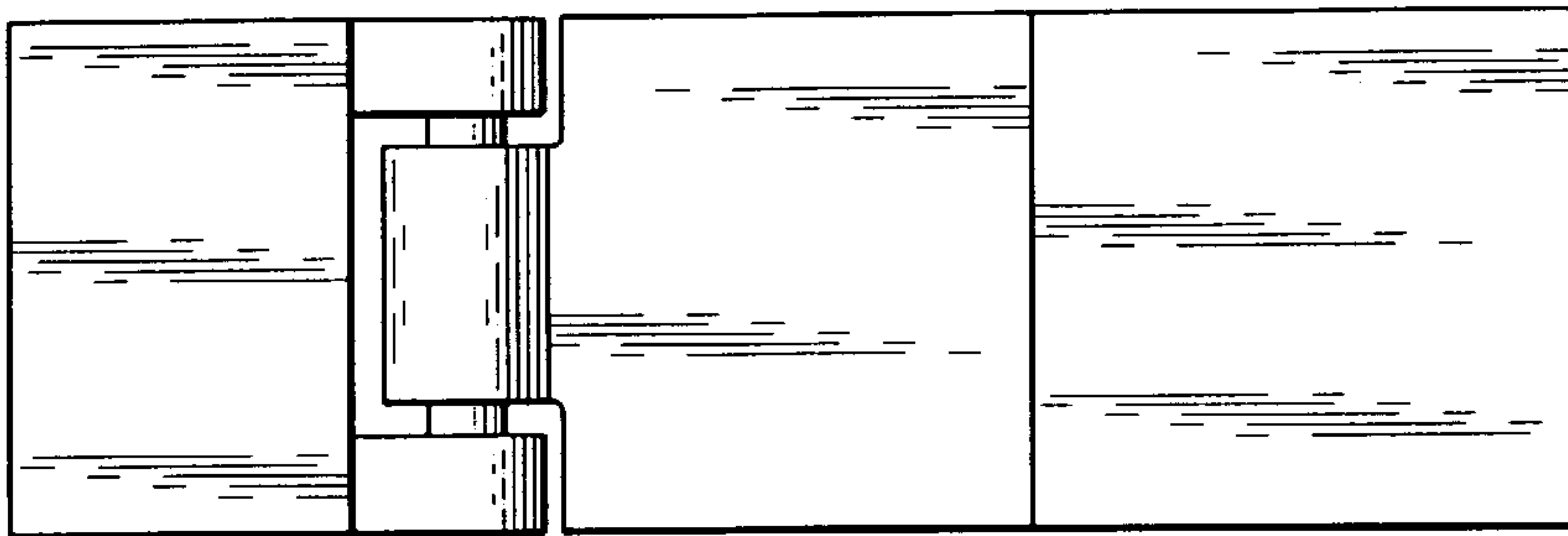


Fig. 6

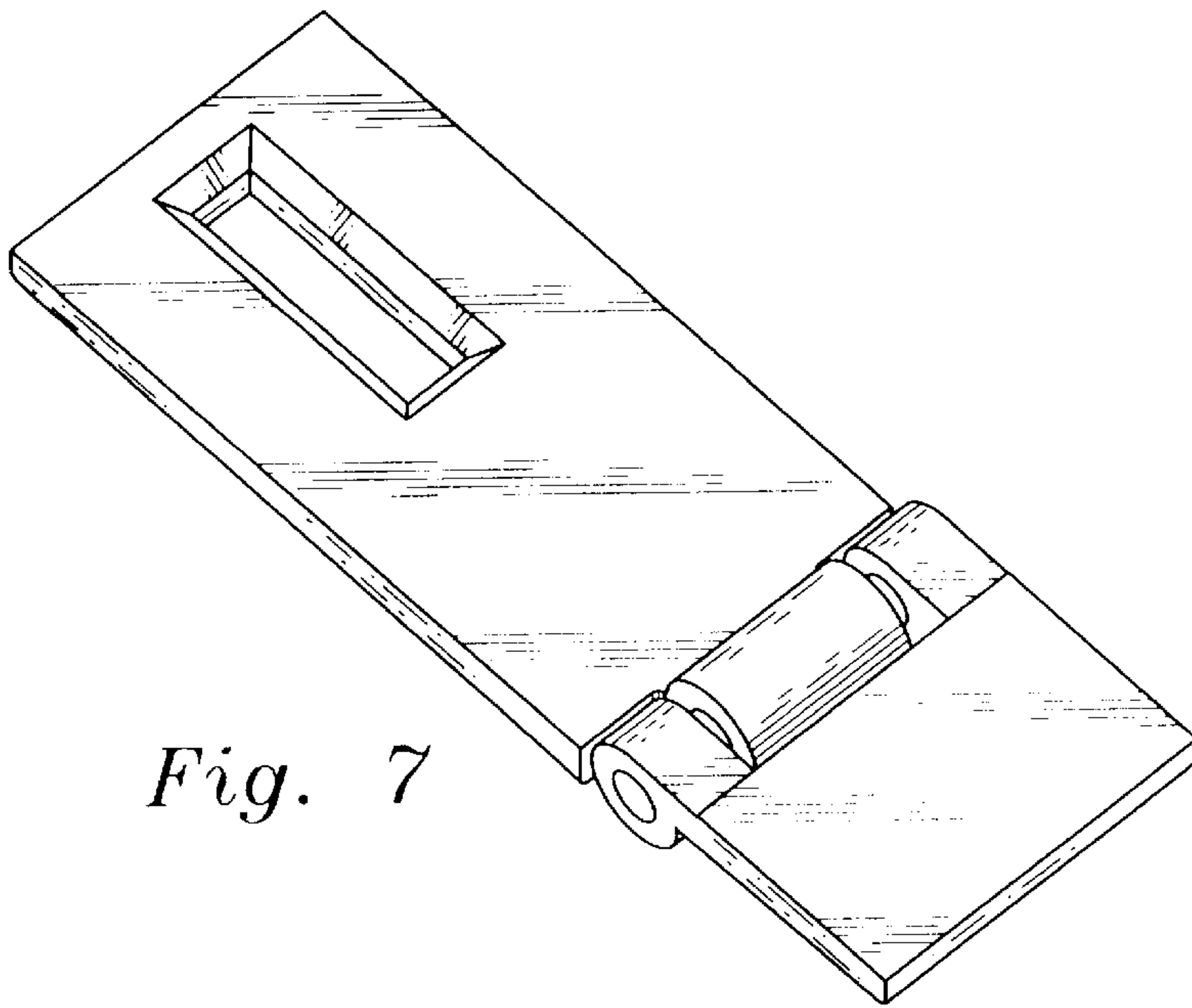


Fig. 7

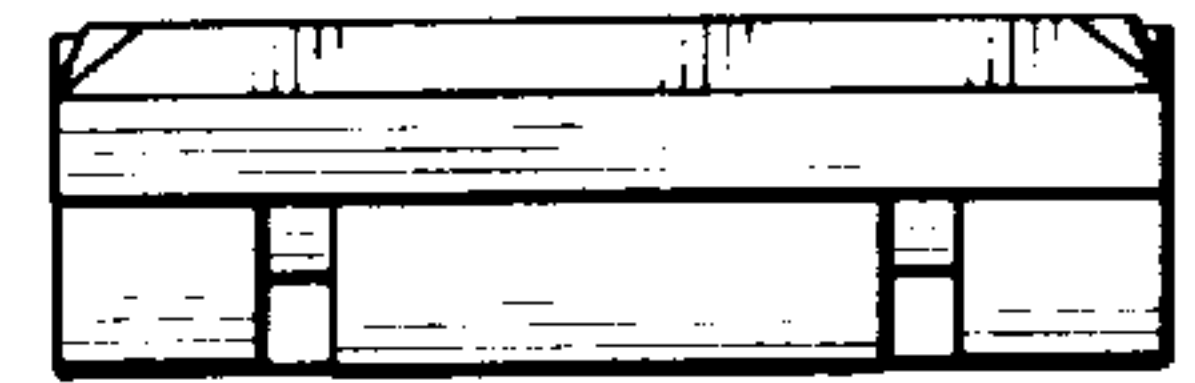


Fig. 8

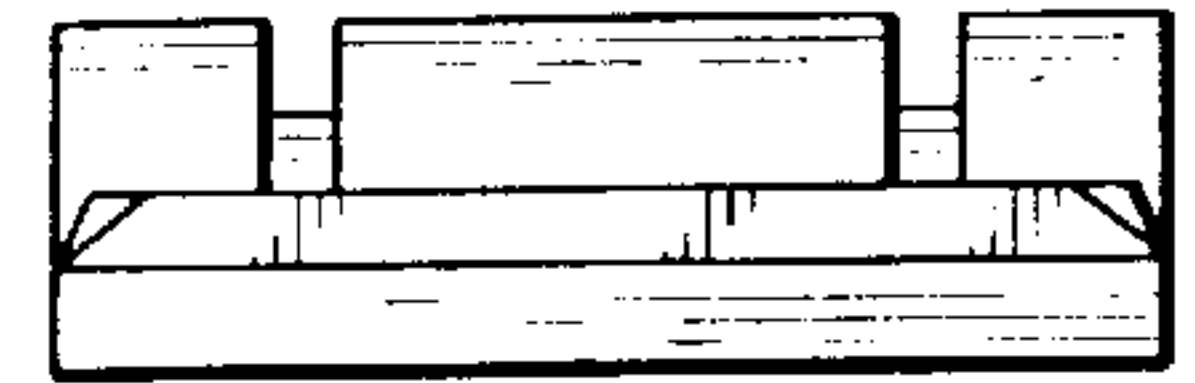


Fig. 9

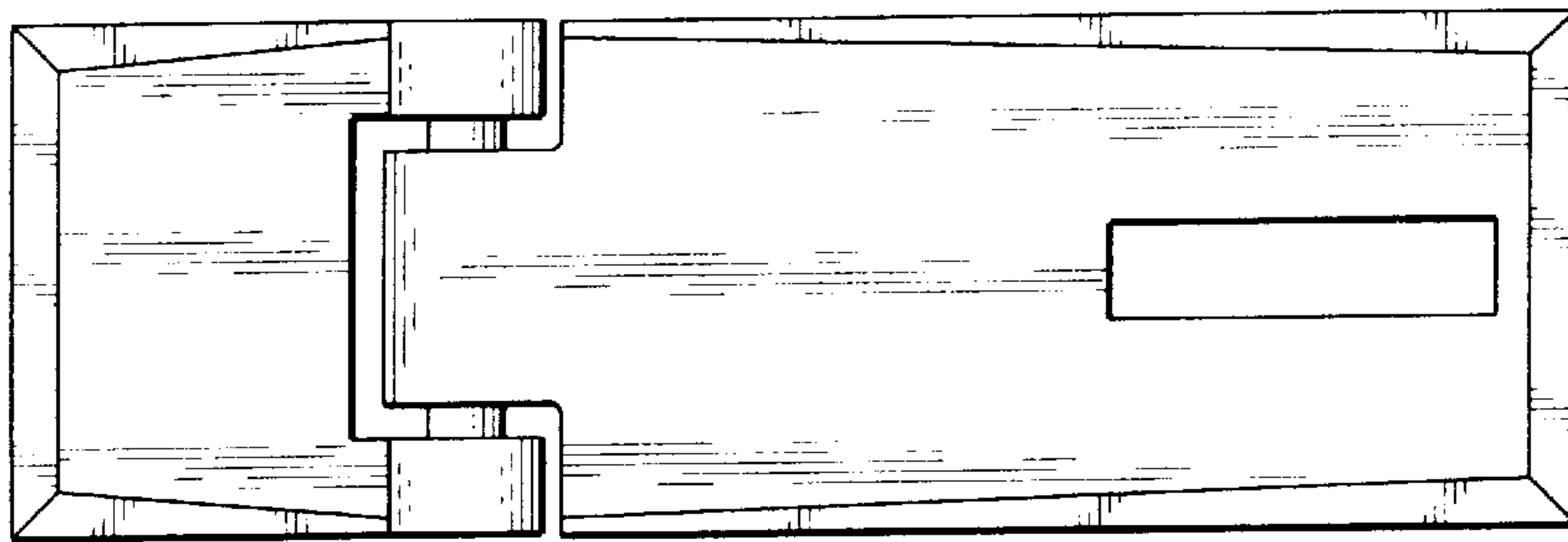


Fig. 10

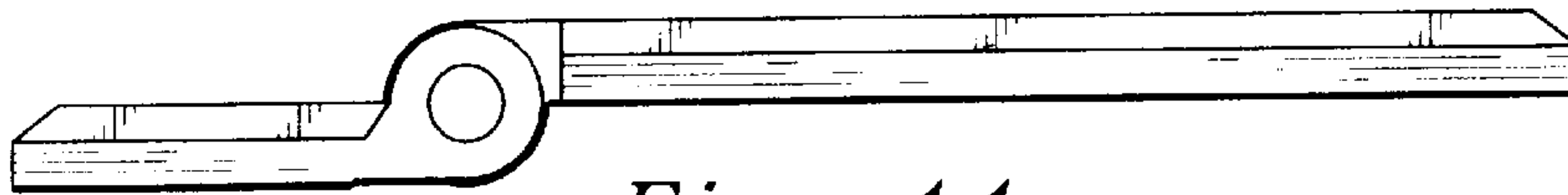


Fig. 11

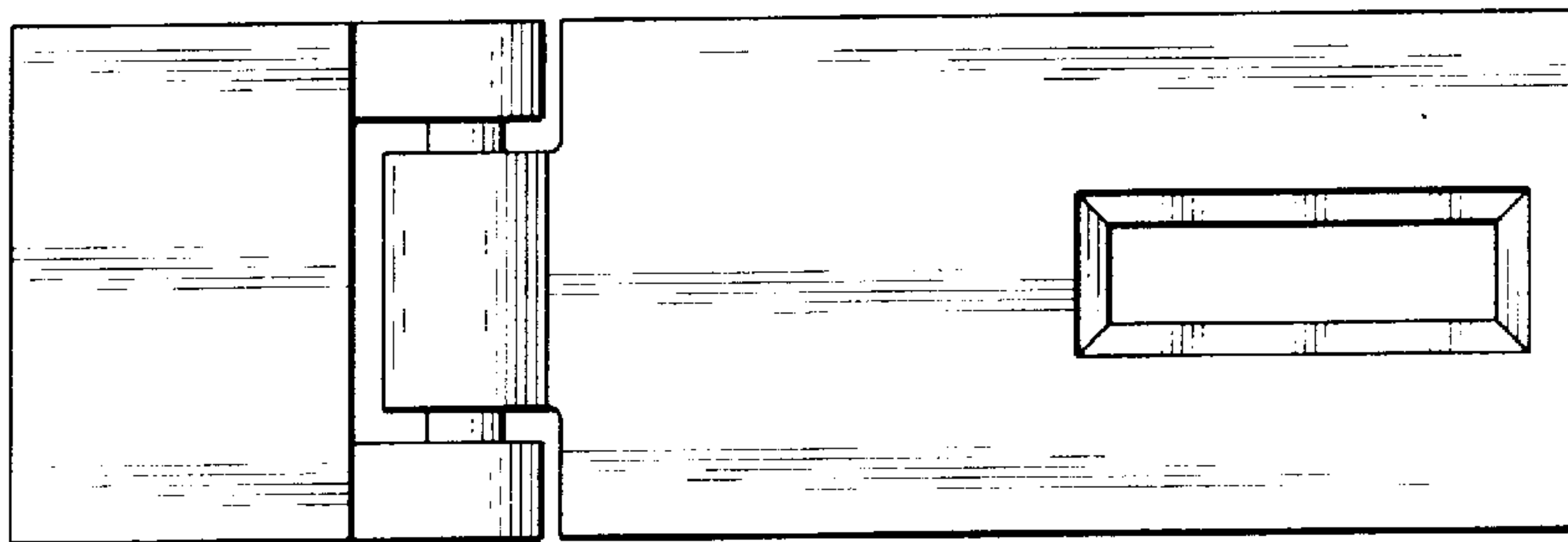


Fig. 12

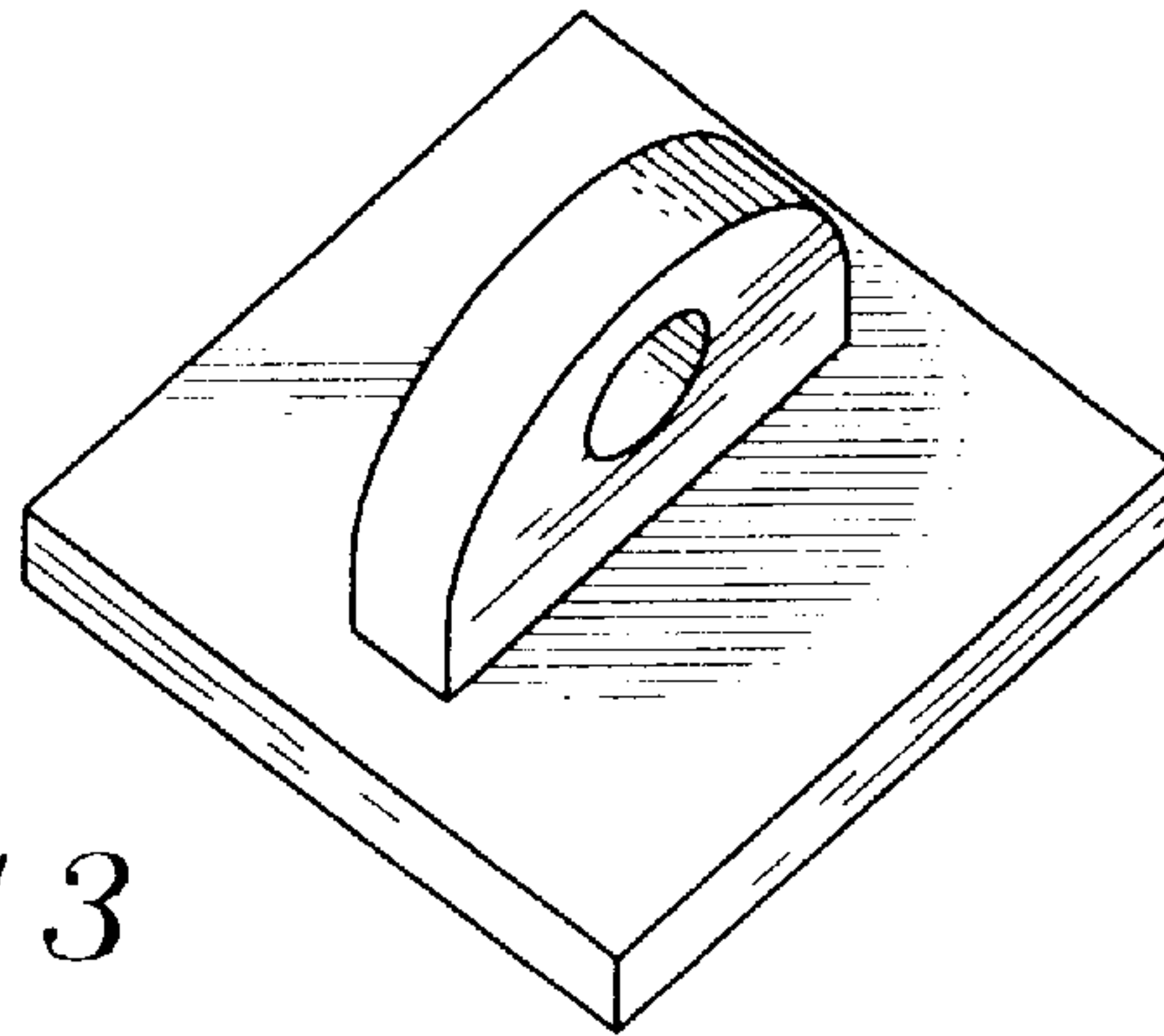


Fig. 13

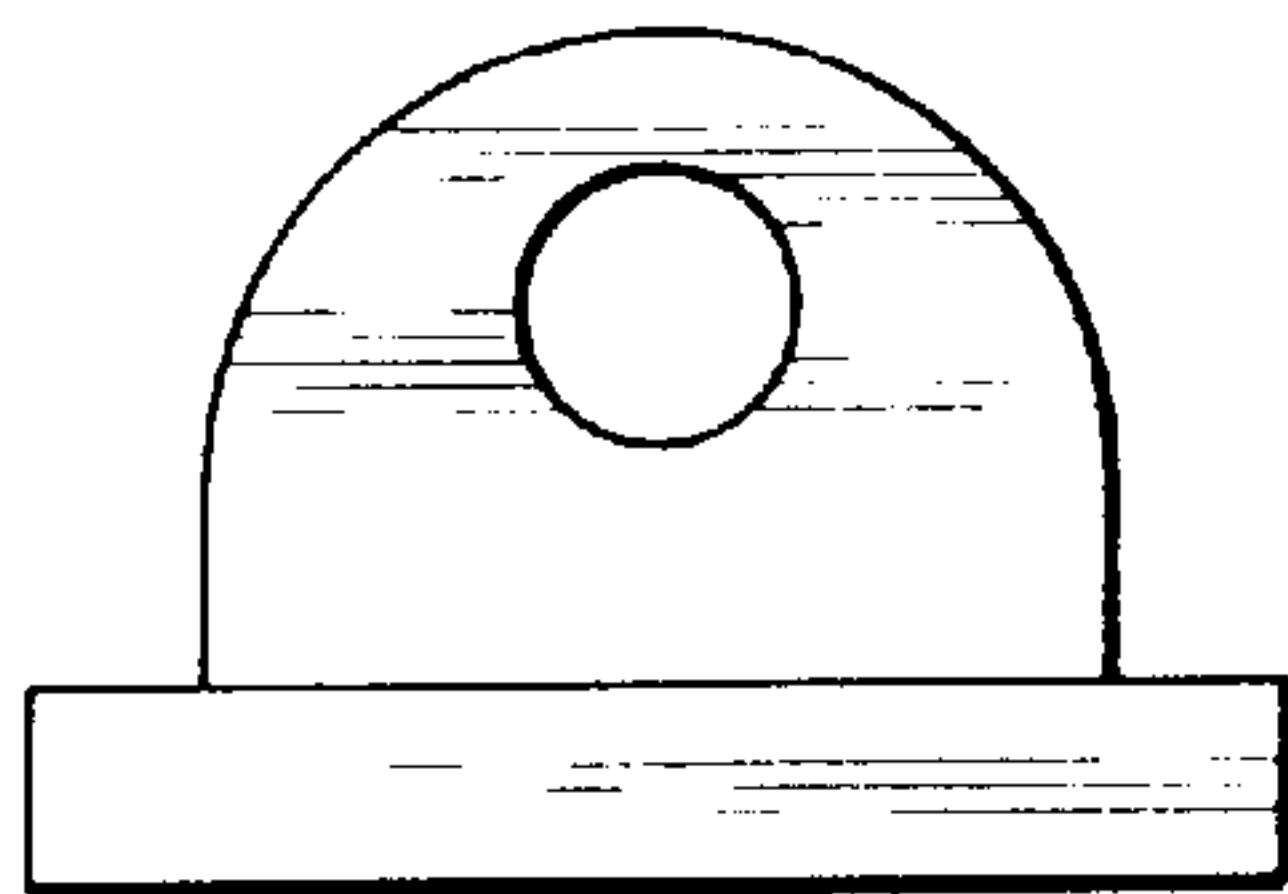


Fig. 14

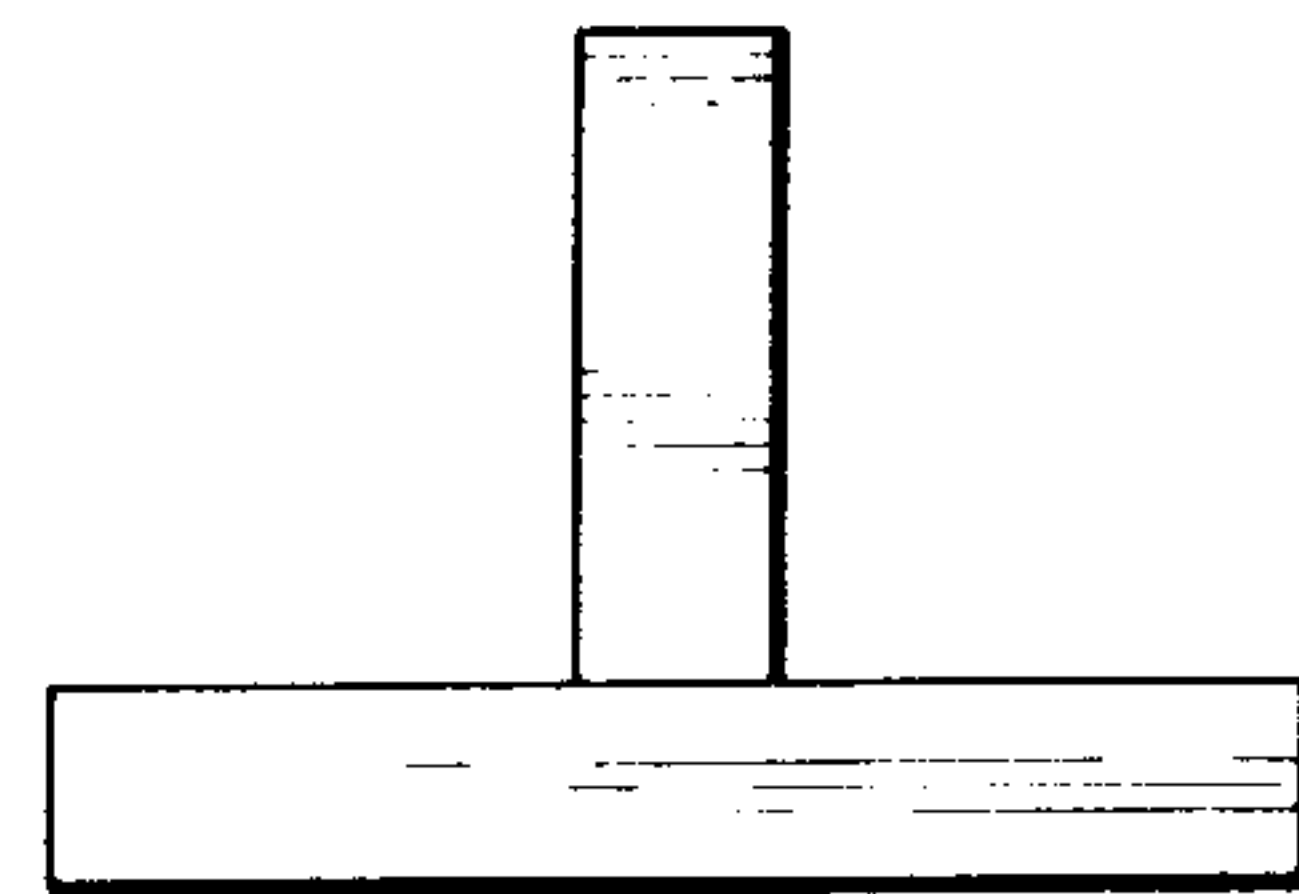


Fig. 15

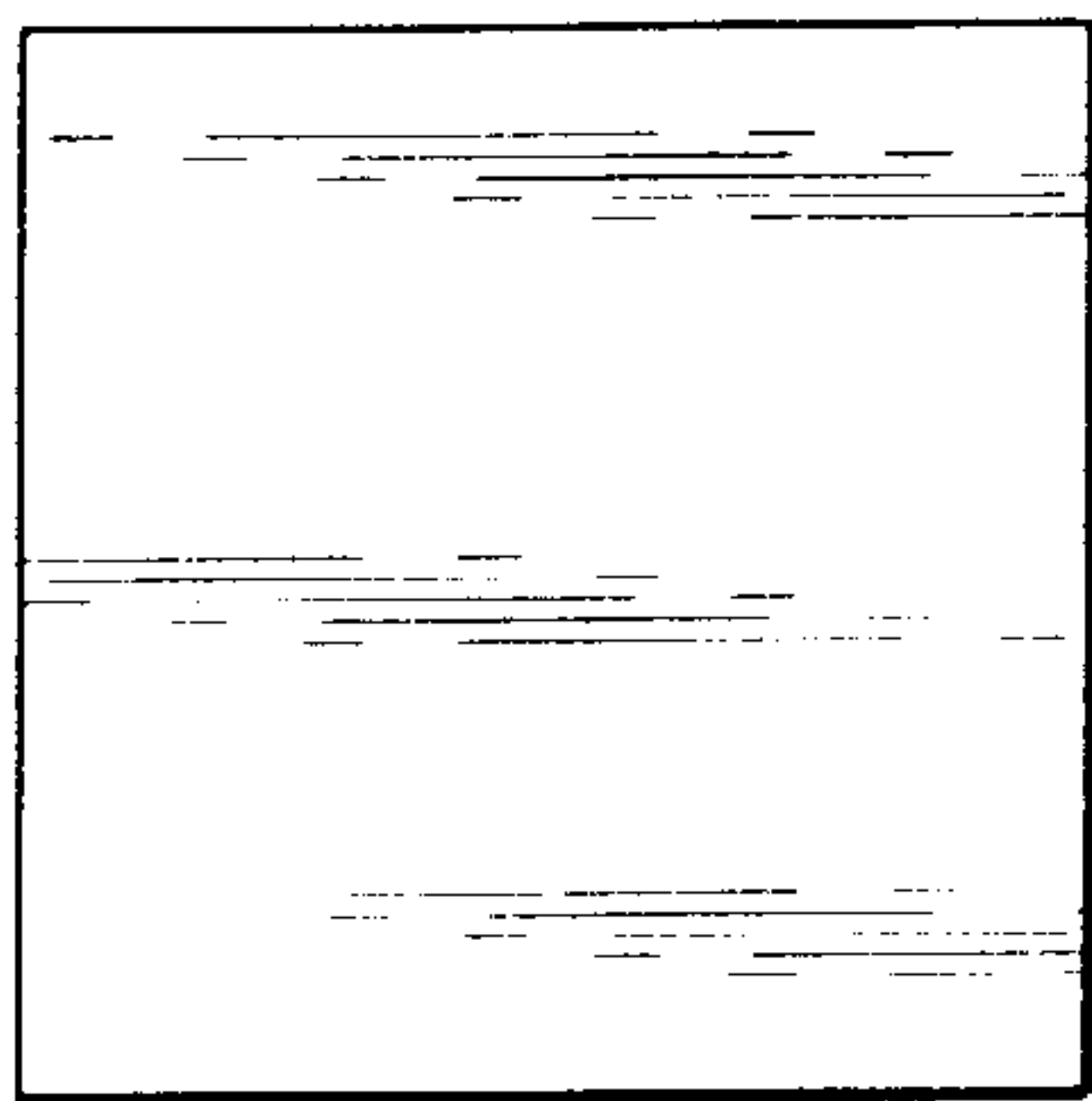


Fig. 16

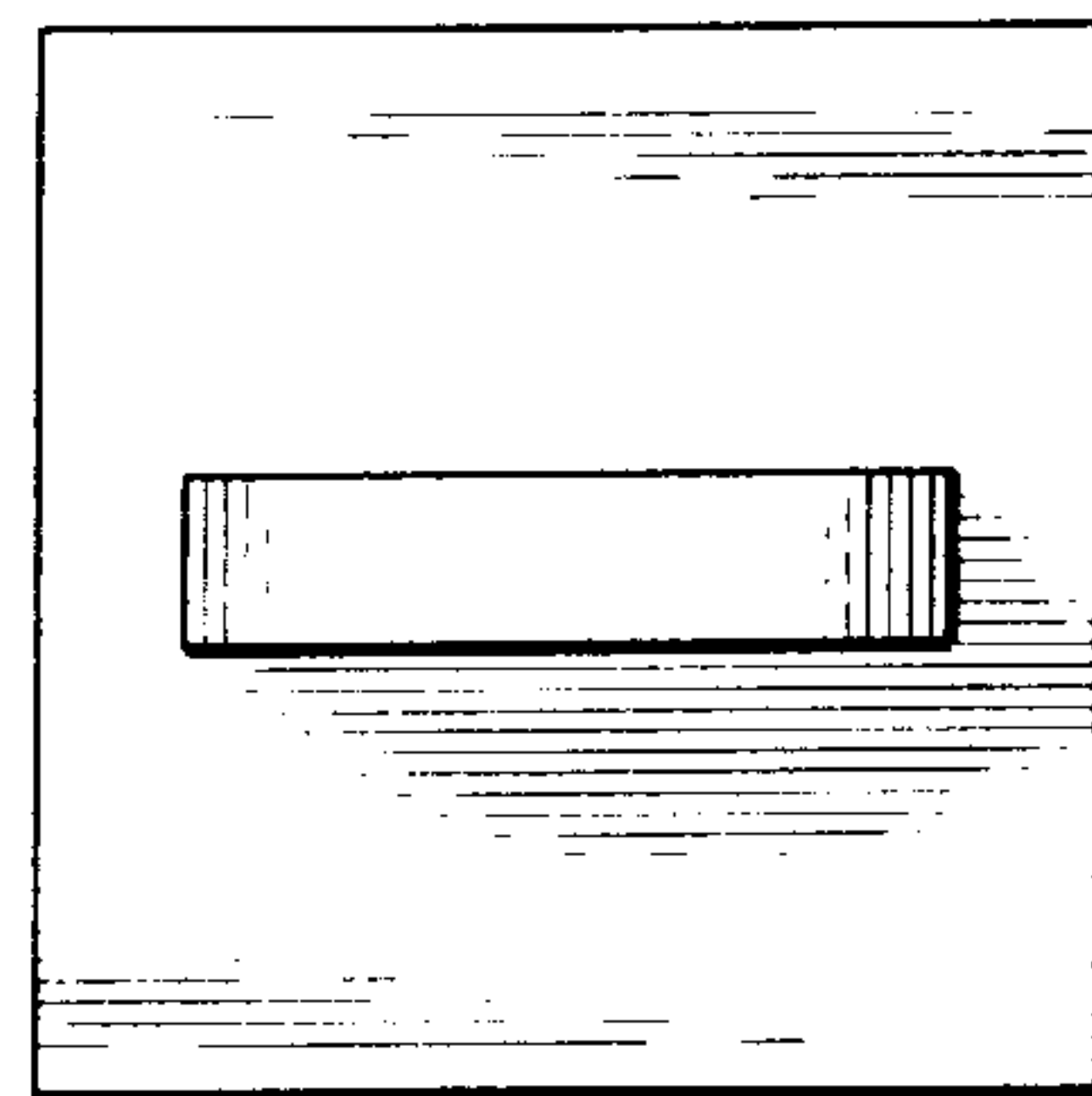


Fig. 17