



US00D427883S

United States Patent [19] Ling

[11] **Patent Number: Des. 427,883**

[45] **Date of Patent: ** Jul. 11, 2000**

[54] **COMBINATION LOCK**

[76] **Inventor: Chong-Kuan Ling**, 11F, No. 27, An-Ho Road, Sec. 1, Taipei, Taiwan

[**] **Term: 14 Years**

[21] **Appl. No.: 29/107,953**

[22] **Filed: Jul. 15, 1999**

[51] **LOC (7) Cl. 08-07**

[52] **U.S. Cl. D8/331; D8/333**

[58] **Field of Search D8/331, 333, 334; 70/14, 20, 22, 23, 24, 25, 26, 30, 233**

[56] **References Cited**

U.S. PATENT DOCUMENTS

D. 332,387	1/1993	Ling	D8/333
D. 369,088	4/1996	Brendel	D8/333
D. 393,544	4/1998	Ling	D8/333
3,543,544	12/1970	Epston	70/26 X
5,829,280	11/1998	Chen	70/233 X

Primary Examiner—Susan J. Lucas
Assistant Examiner—Jennifer Rivard

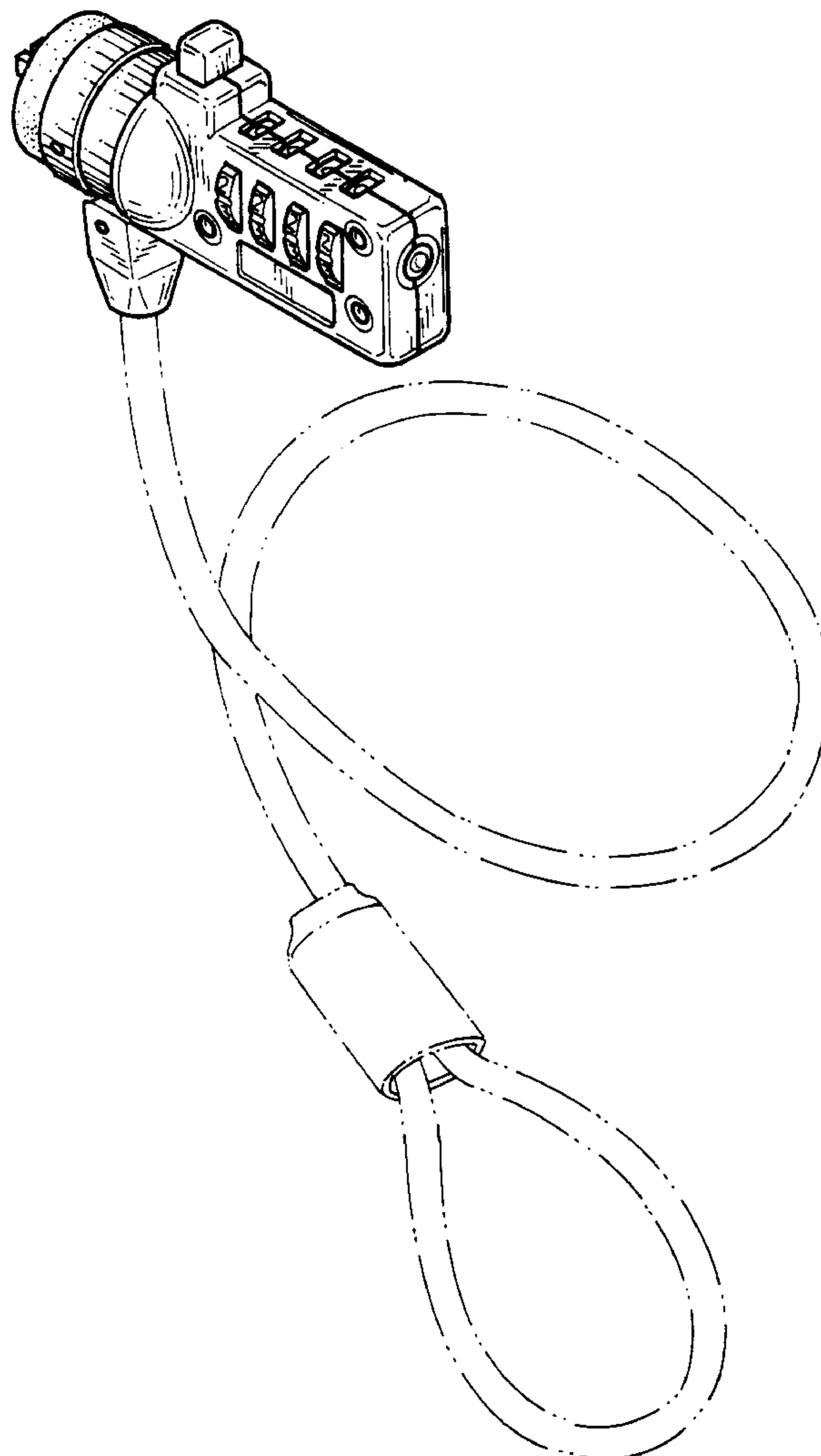
[57] **CLAIM**

The ornamental design for combination lock, as shown and described.

DESCRIPTION

FIG. 1 is a front elevational view of a combination lock showing my new design;
 FIG. 2 is a rear elevational view;
 FIG. 3 is a left side elevational view;
 FIG. 4 is a right side elevational view;
 FIG. 5 is a top plan view;
 FIG. 6 is a bottom plan view;
 FIG. 7 is a perspective view of the combination lock; and,
 FIG. 8 is a perspective view of the combination lock having a fastening cable secured therewith.
 The broken line disclosure of the fastening cable is shown for illustrative purposes only and forms no part of the claimed design.

1 Claim, 5 Drawing Sheets



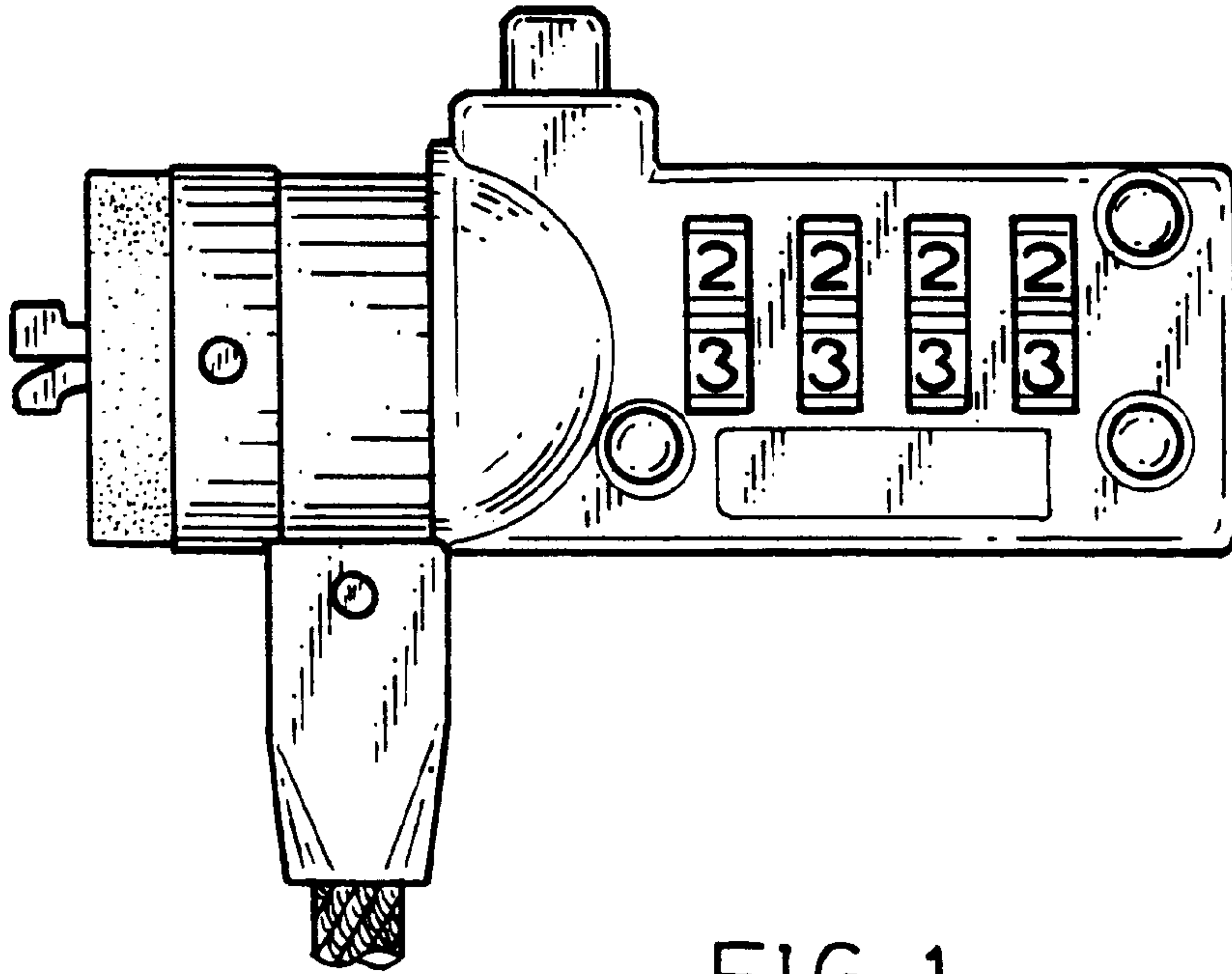


FIG. 1

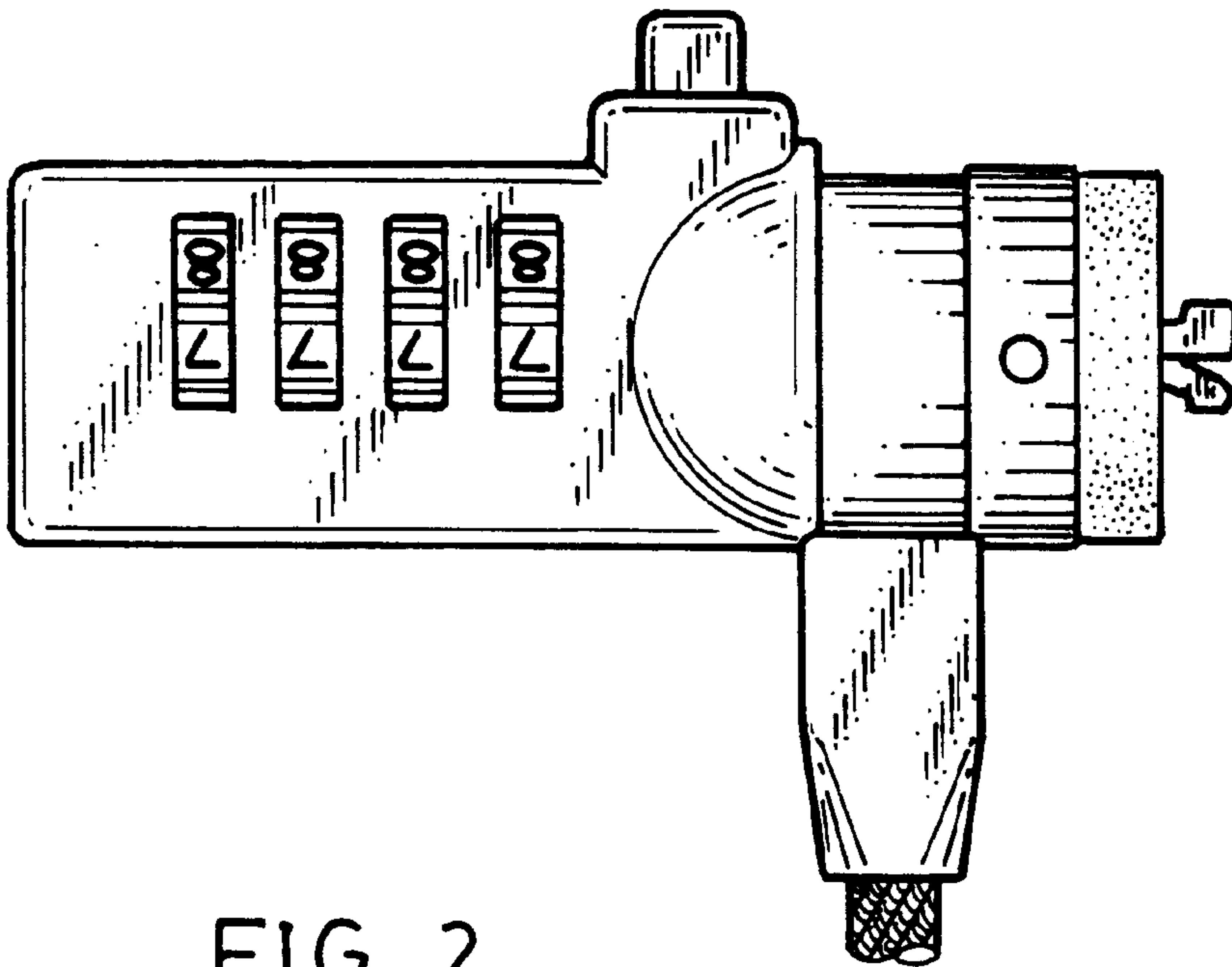


FIG. 2

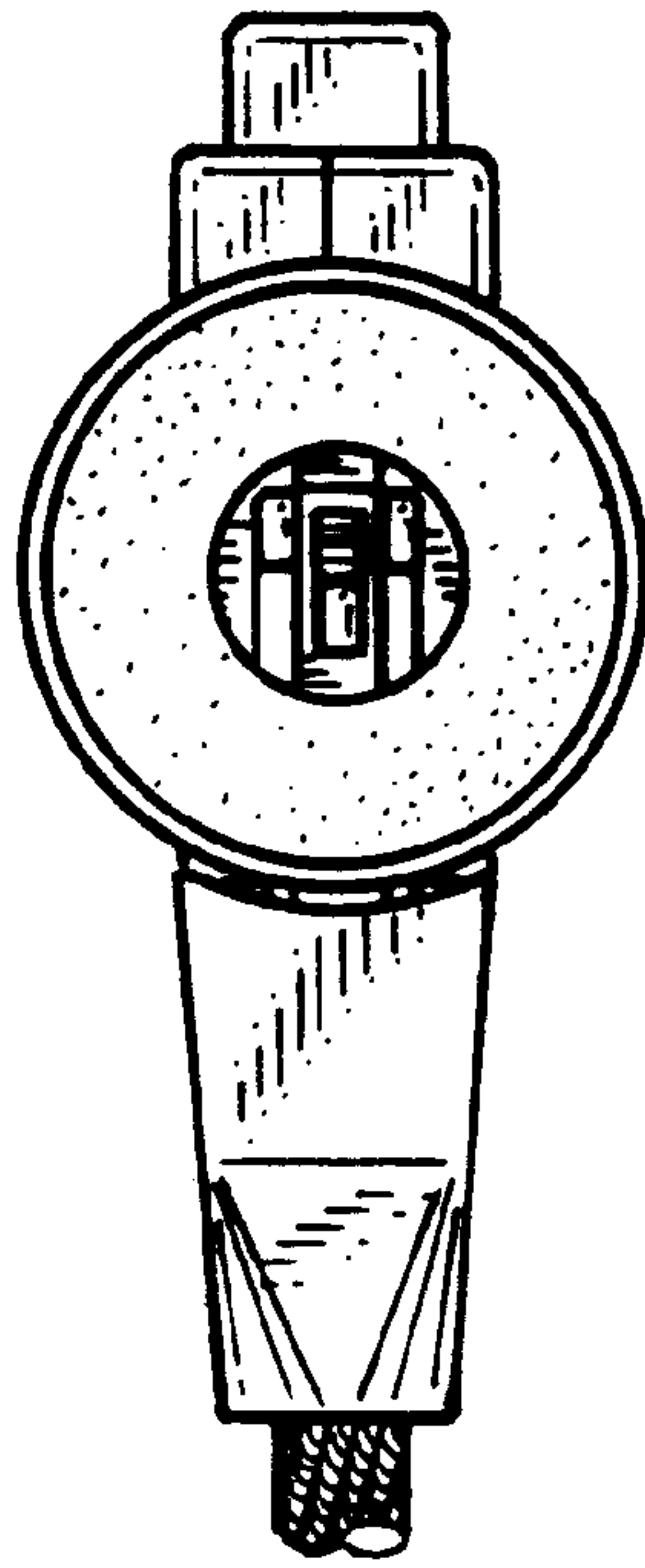


FIG. 3

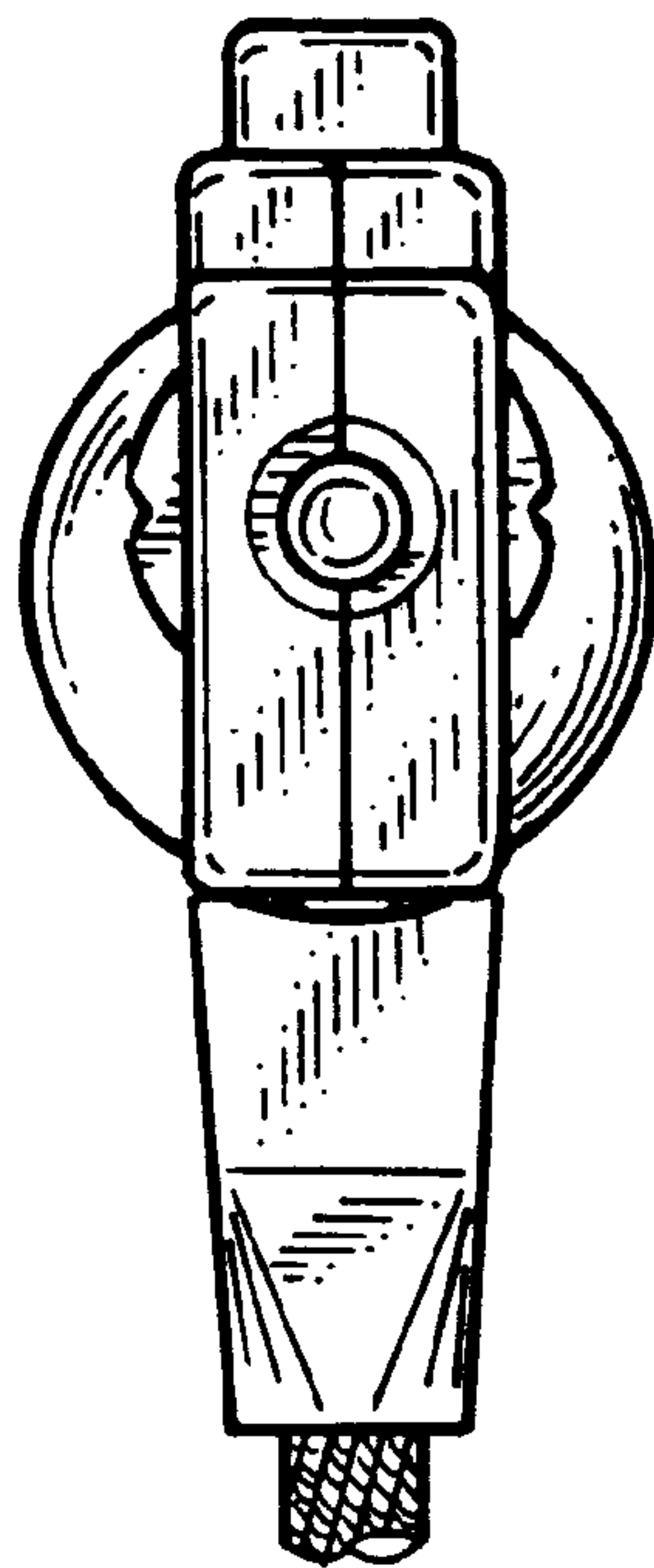


FIG. 4

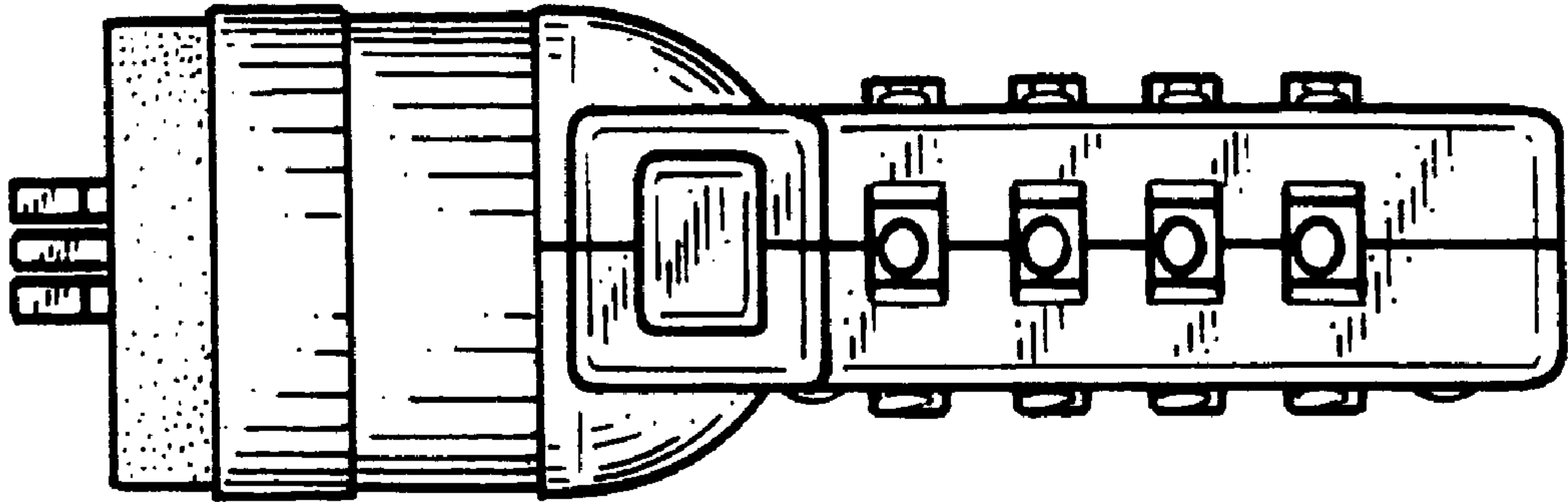


FIG. 5

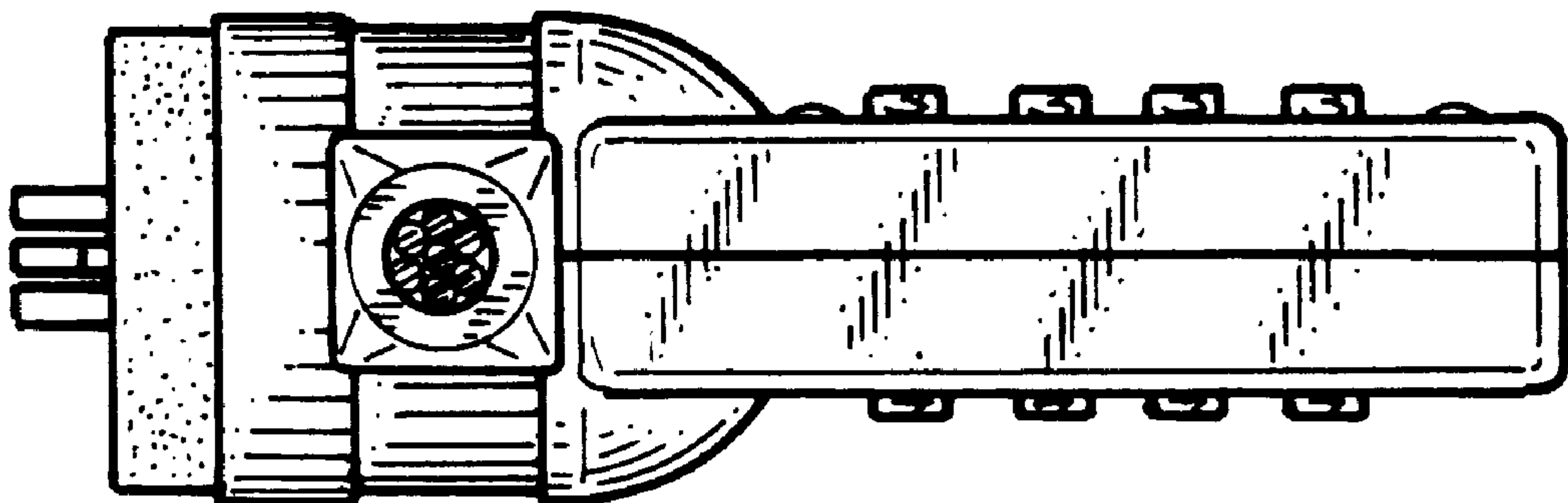


FIG. 6

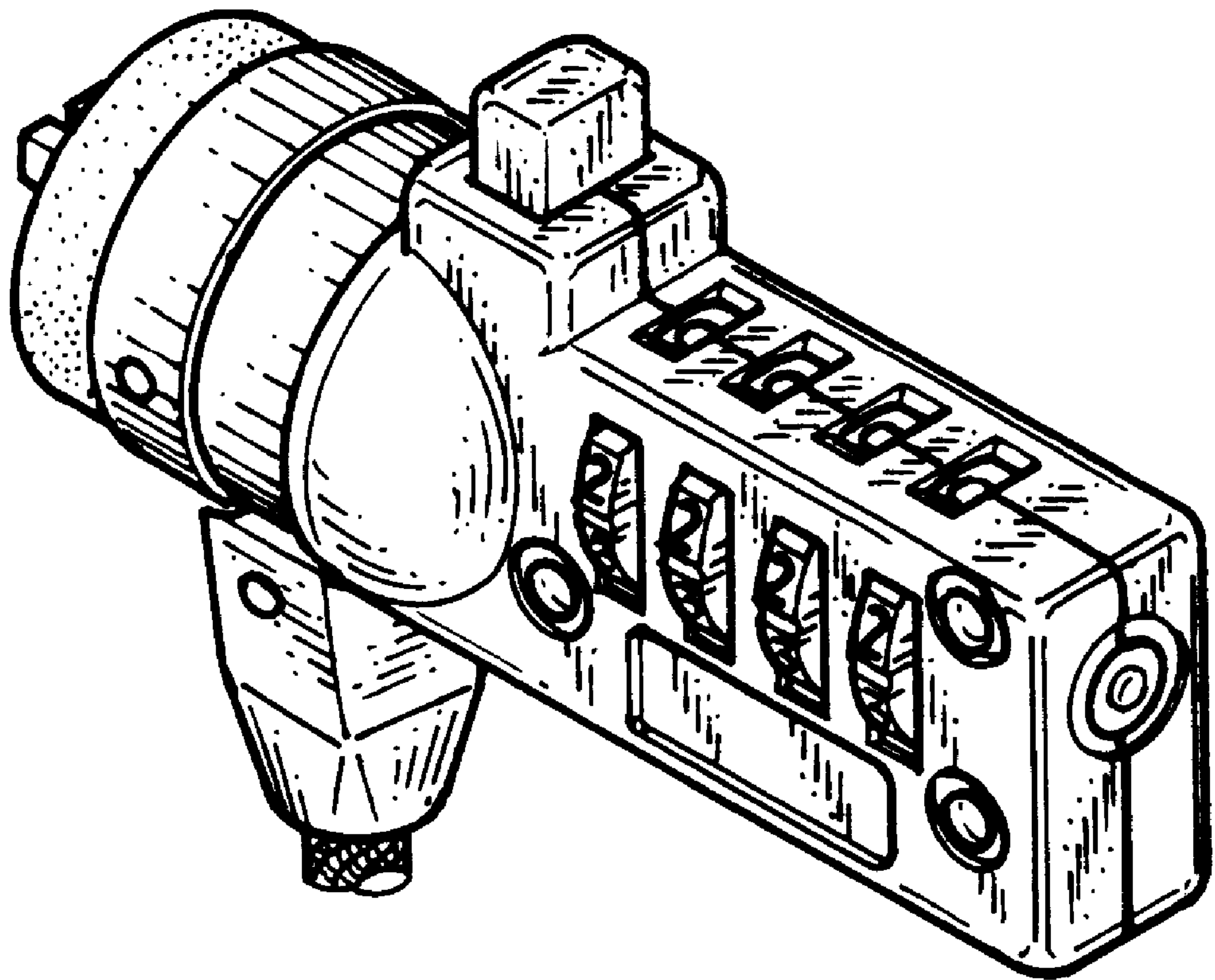


FIG. 7

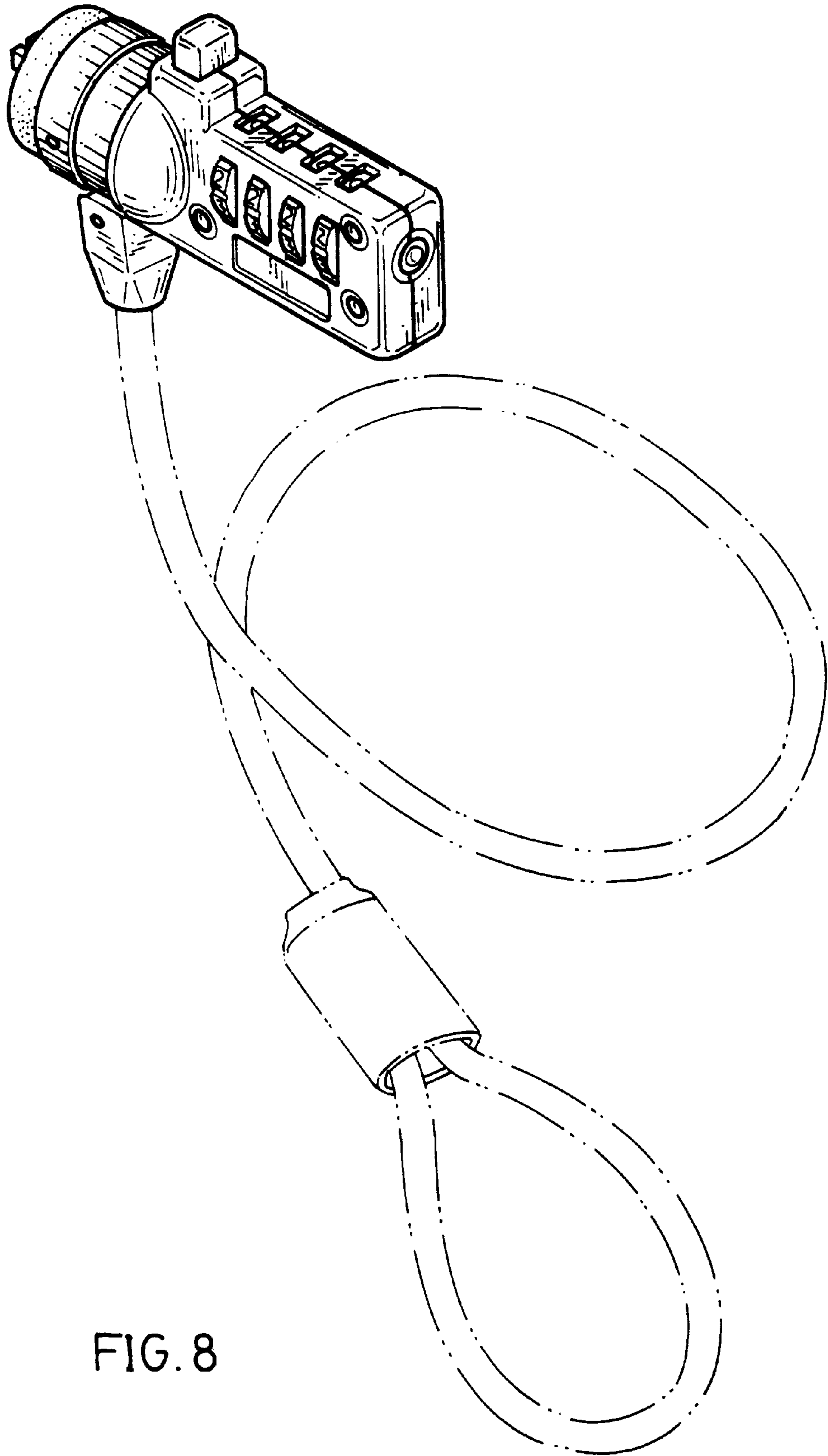


FIG. 8