



US00D427882S

United States Patent [19]

Wytcherley et al.

[11] Patent Number: Des. 427,882

[45] Date of Patent: ** Jul. 11, 2000

[54] LATCH

[76] Inventors: **Roger Wytcherley**, 2 Rough Leasow, Suckley, Worcestershire, WR6 5EG; **David Sorin**, 1 Duke Way, Tewksbury, Gloucester, GL 20 5FG; **David Storer**, 4 Post Office Row, Aston Somerville, Broadway, Worcestershire, WR12 7JF, all of United Kingdom

[**] Term: 14 Years

[21] Appl. No.: 29/106,507

[22] Filed: Jun. 16, 1999

[51] LOC (7) Cl. 08-07

[52] U.S. Cl. D8/331

[58] Field of Search D8/330, 331, 336-342; 70/208; 292/336.3, 121, 126, 216, 203, DIG. 31

[56] References Cited

U.S. PATENT DOCUMENTS

D. 323,776	2/1992	Hansen	D8/338
D. 370,620	6/1996	Ziemer	D8/341
4,706,478	11/1987	Swan et al.	70/208
5,984,383	11/1999	Parikh et al.	292/121

OTHER PUBLICATIONS

Adjustable Recessed T Locks, Piedmont, Apr. 25, 1984, p. 7.
Southco Latches and Access Hardware, NA, Southco, Inc. Concordville, PA (1998) pp. E1-E24.

Primary Examiner—Susan J. Lucas
Assistant Examiner—Jennifer Rivard

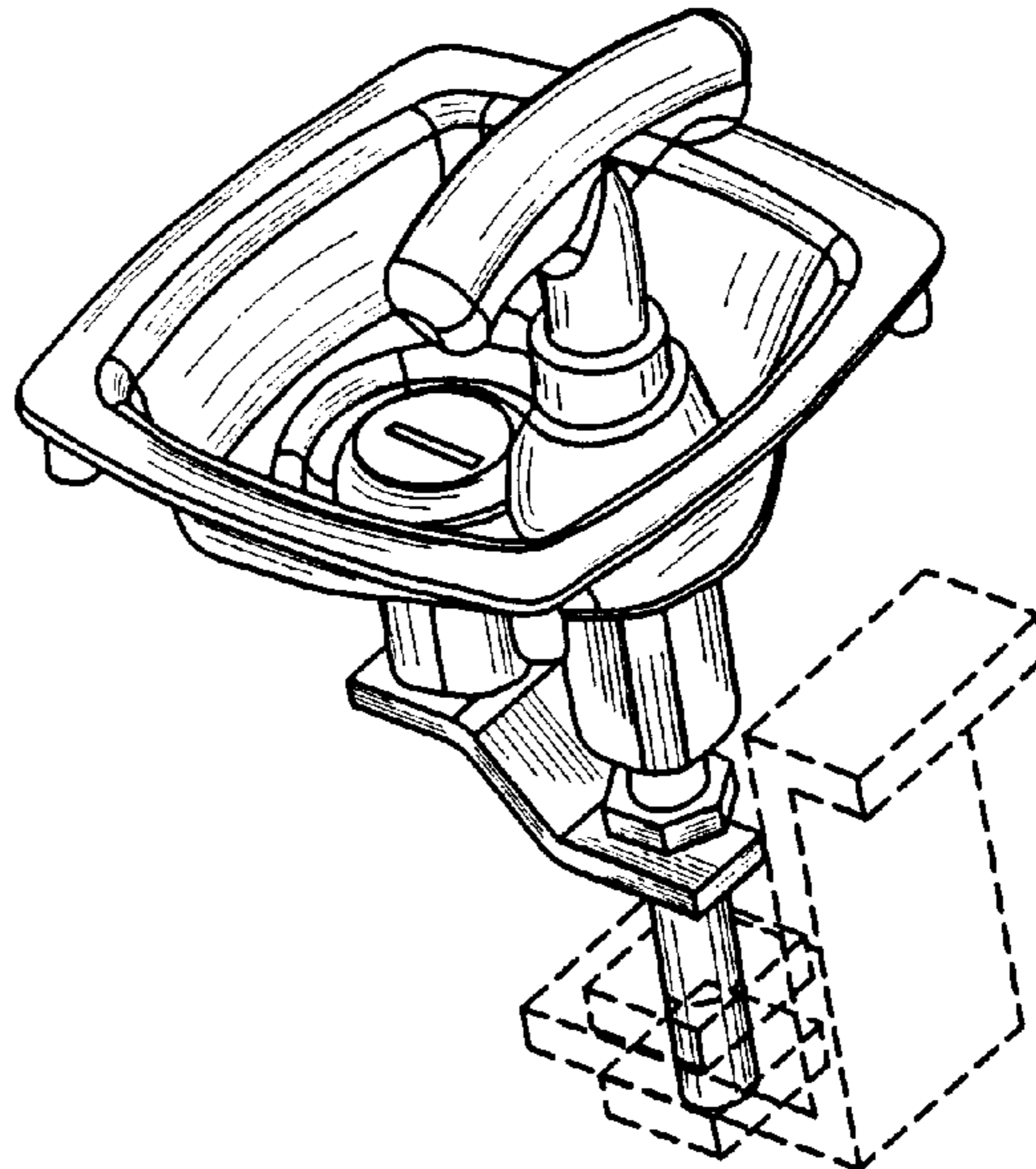
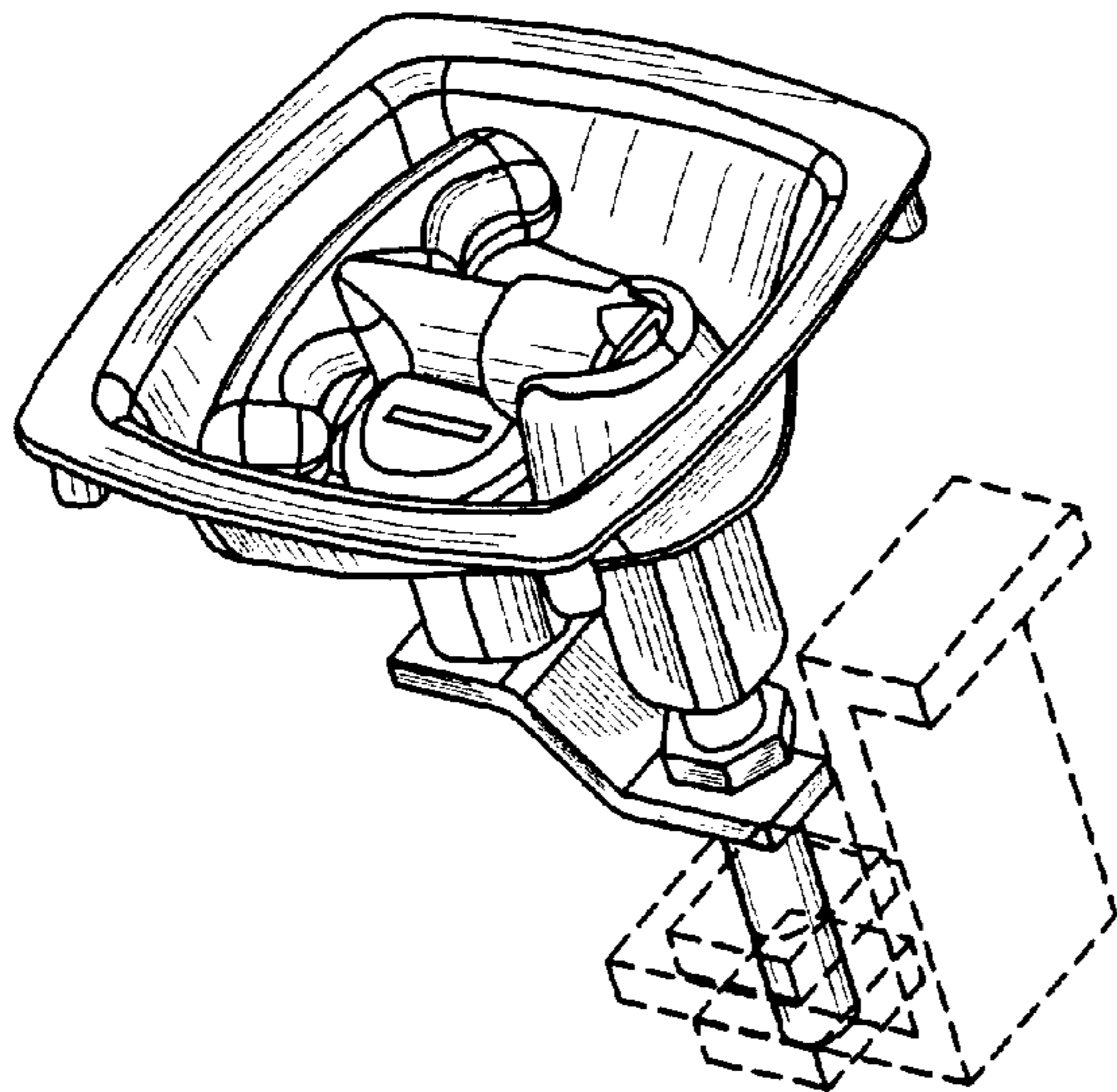
[57] CLAIM

The ornamental design for a latch, as shown and described.

DESCRIPTION

FIG. 1 is a perspective view of an embodiment of a latch embodying our new design and with a handle in a closed position; FIG. 2 is a top plan view thereof; FIG. 3 is a left side elevational view thereof; FIG. 4 is a right side elevational view thereof; FIG. 5 is a front elevational view thereof; FIG. 6 is a rear elevational view thereof; FIG. 7 is a bottom plan view thereof; FIG. 8 is a perspective view of another embodiment of a latch embodying our new design, the difference from the first embodiment of FIGS. 1-7 is that the handle is in an open position; FIG. 9 is a top plan view of the latch of FIG. 8; FIG. 10 is a left side elevational view of the latch of FIG. 8; FIG. 11 is a right side elevational view of the latch of FIG. 8; FIG. 12 is a front elevational view of the latch of FIG. 8; FIG. 13 is a rear elevational view of the latch of FIG. 8; and, FIG. 14 is a bottom plan view of the latch of FIG. 8. The broken line portions illustrating a pawl and two mounting nuts for securing the pawl are for illustrative purposes only and form no part of the claimed design.

1 Claim, 3 Drawing Sheets



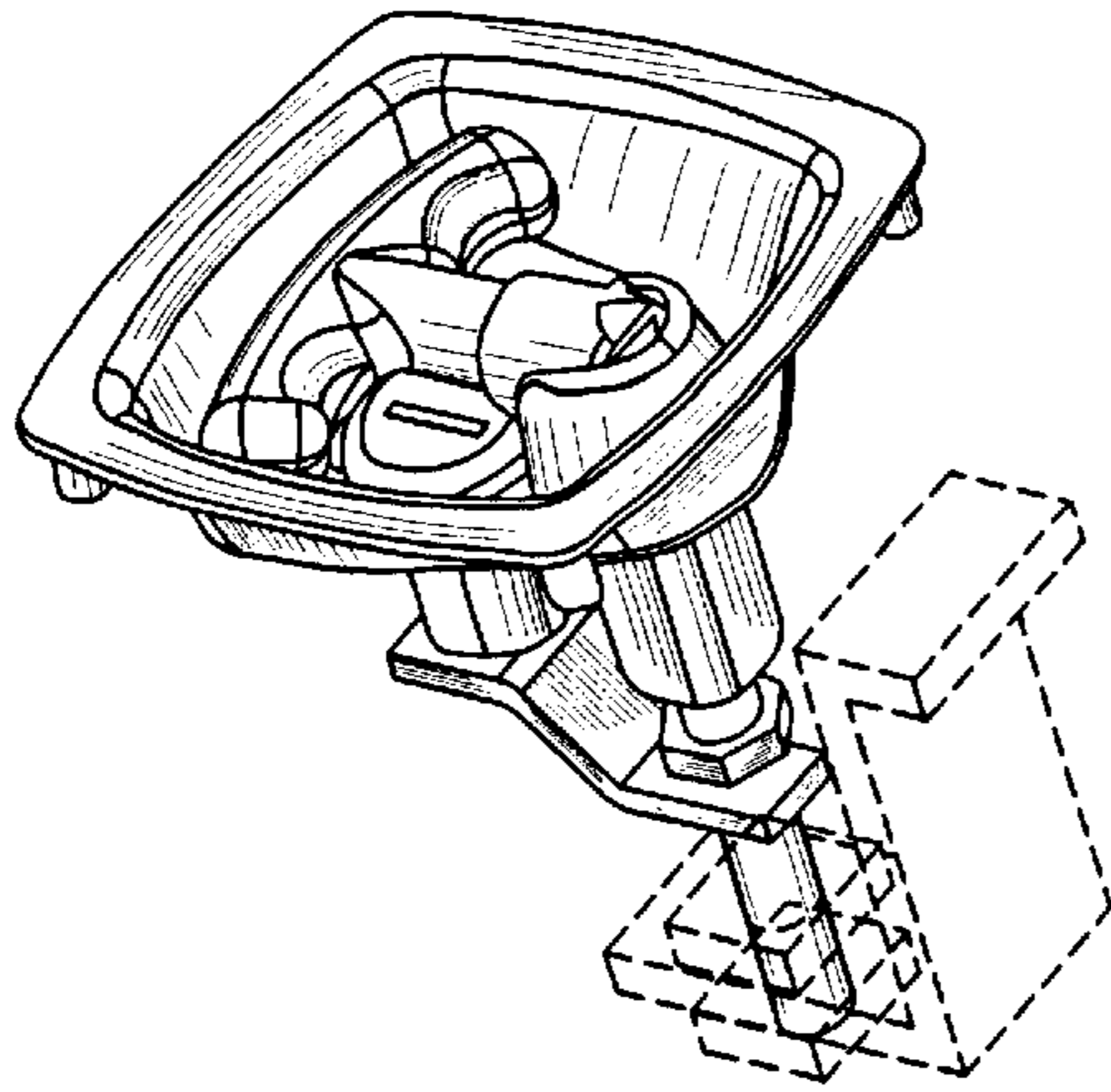


FIG. 1

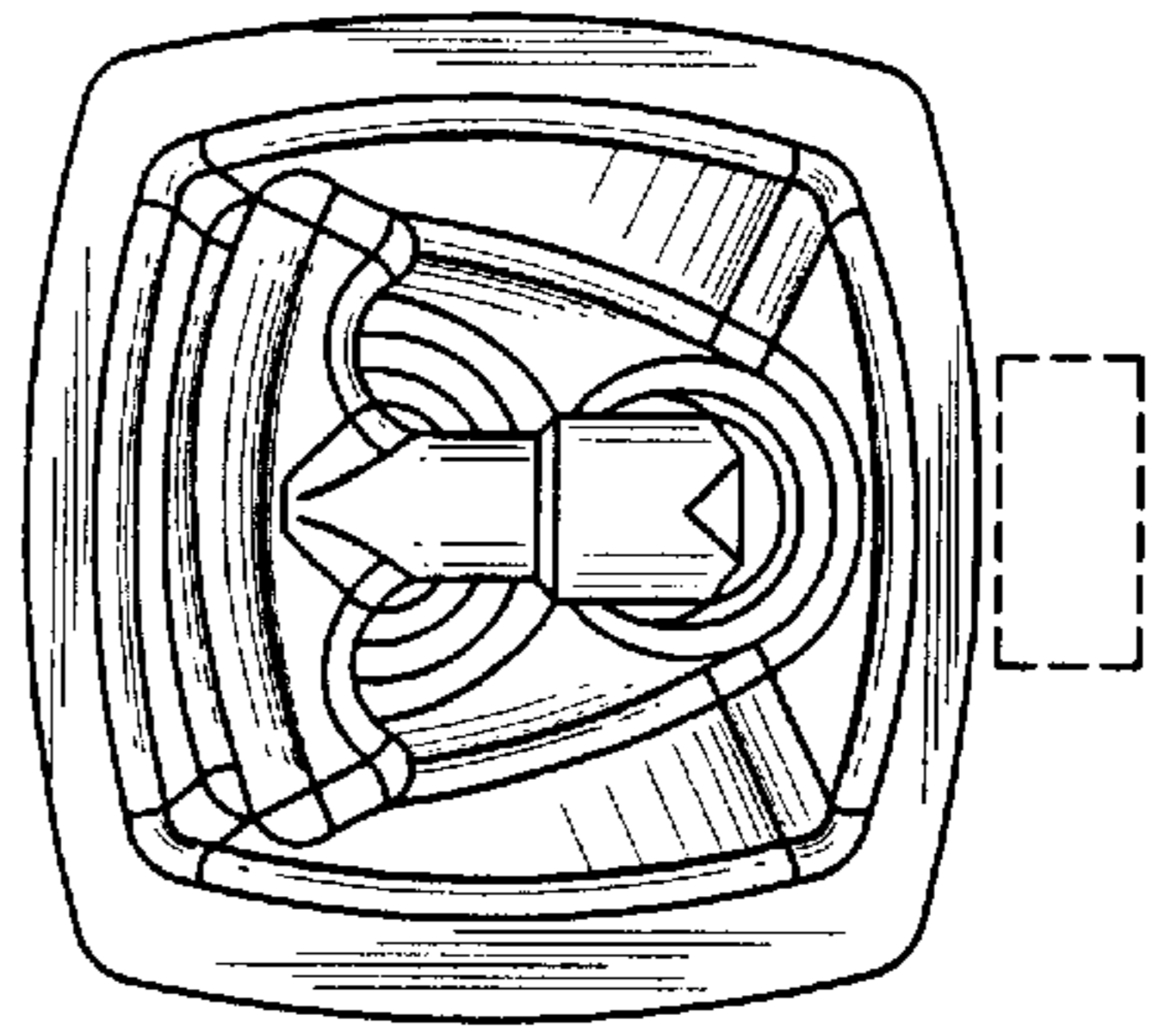


FIG. 2

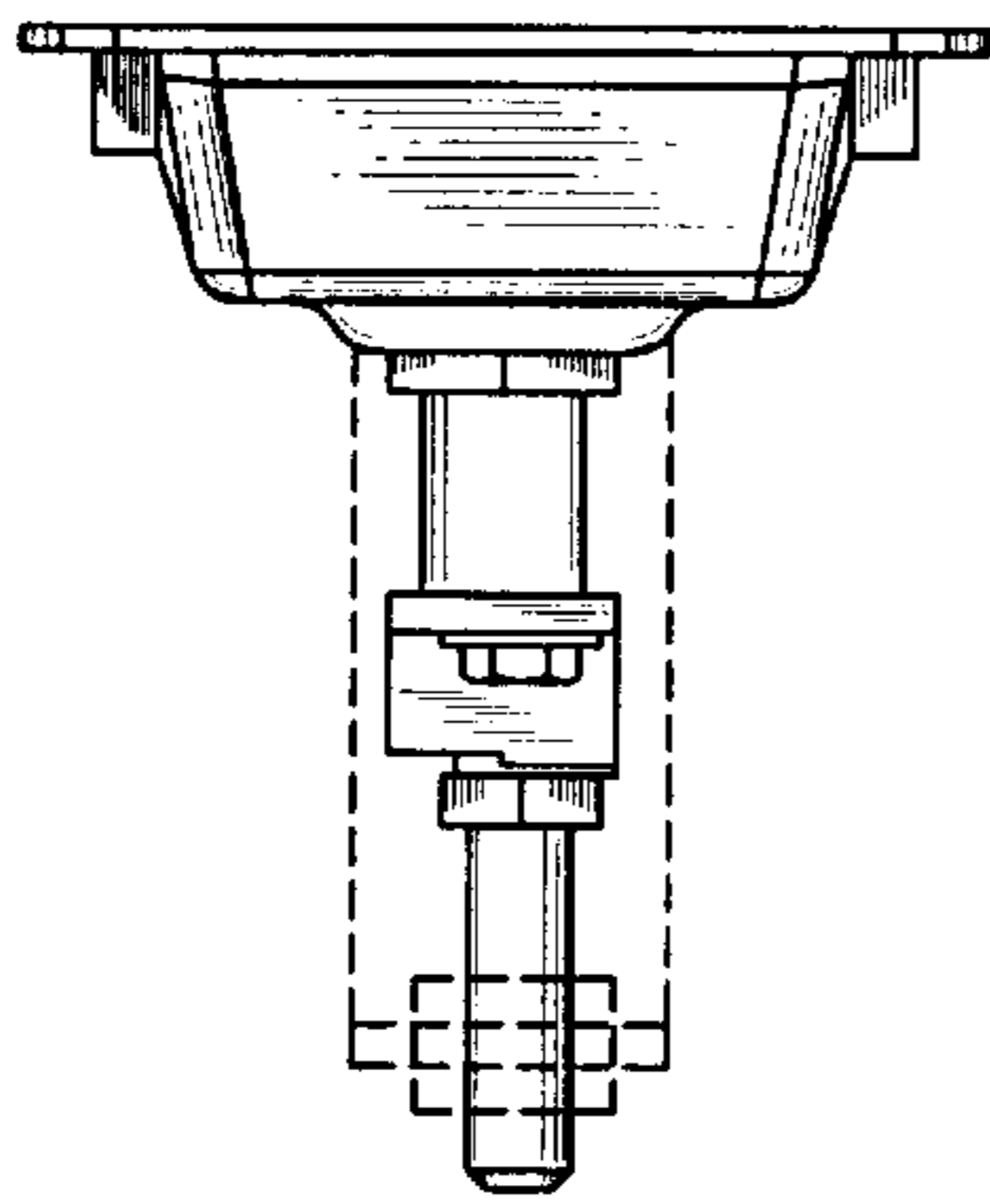


FIG. 3

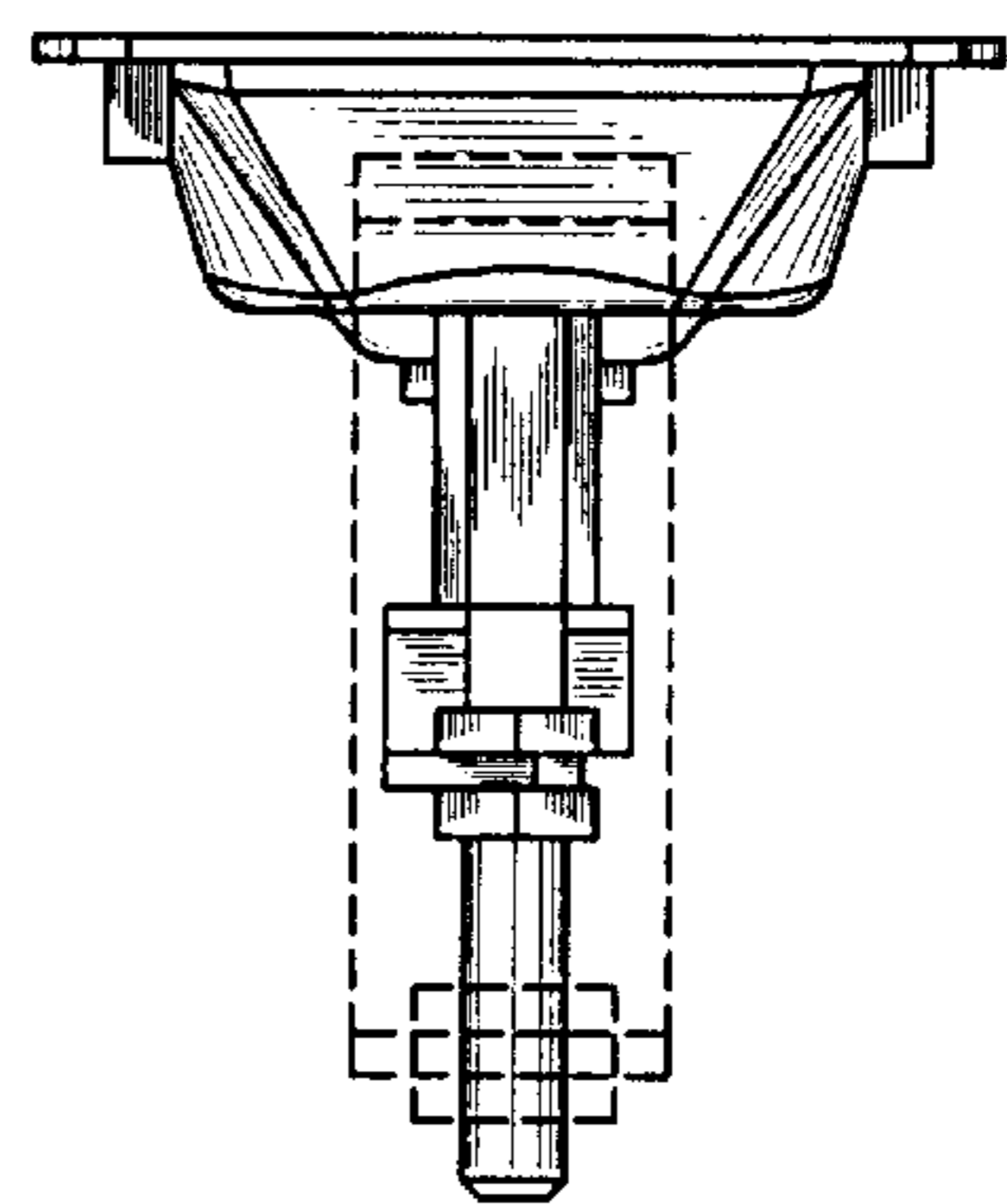


FIG. 4

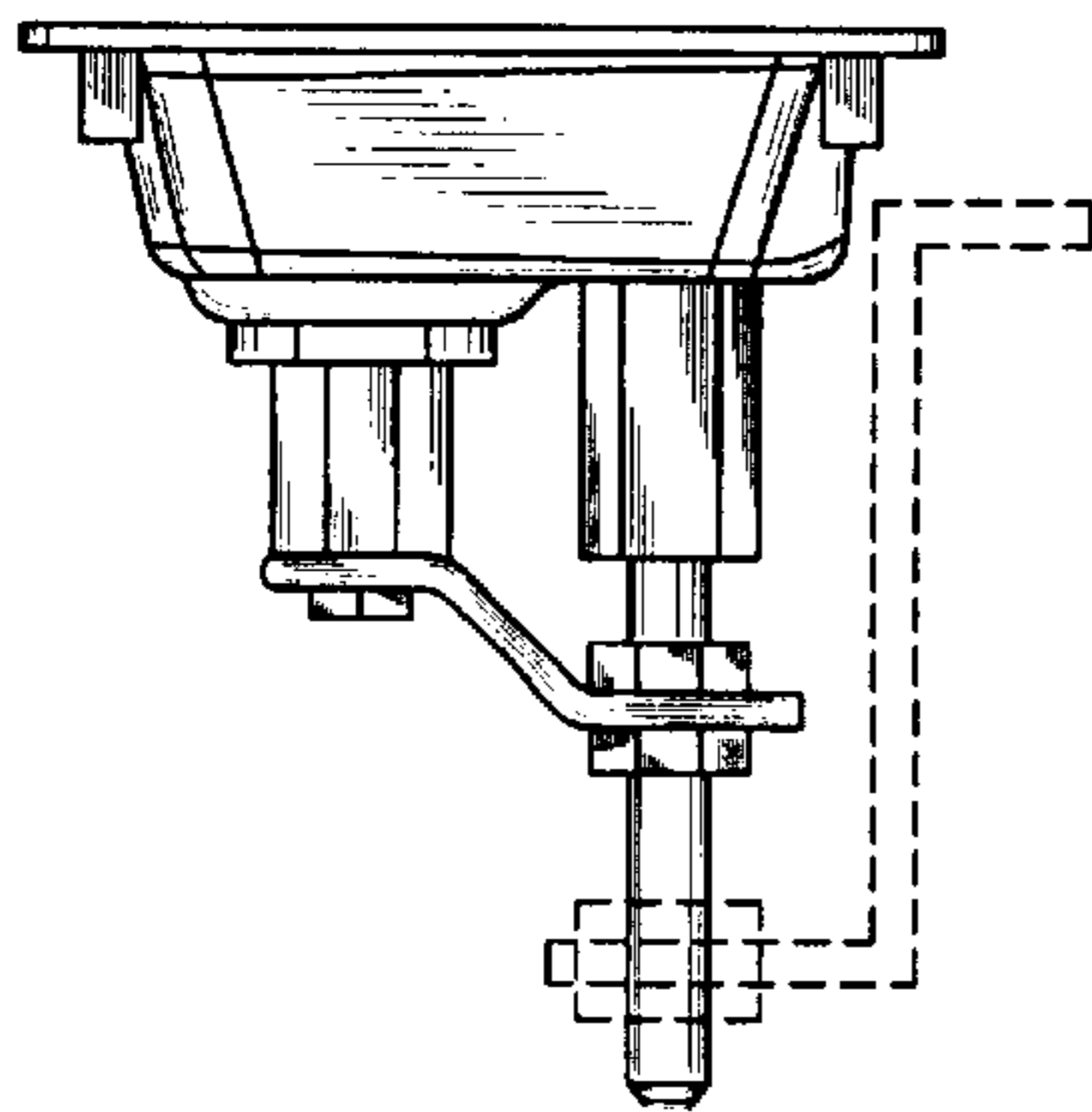


FIG. 5

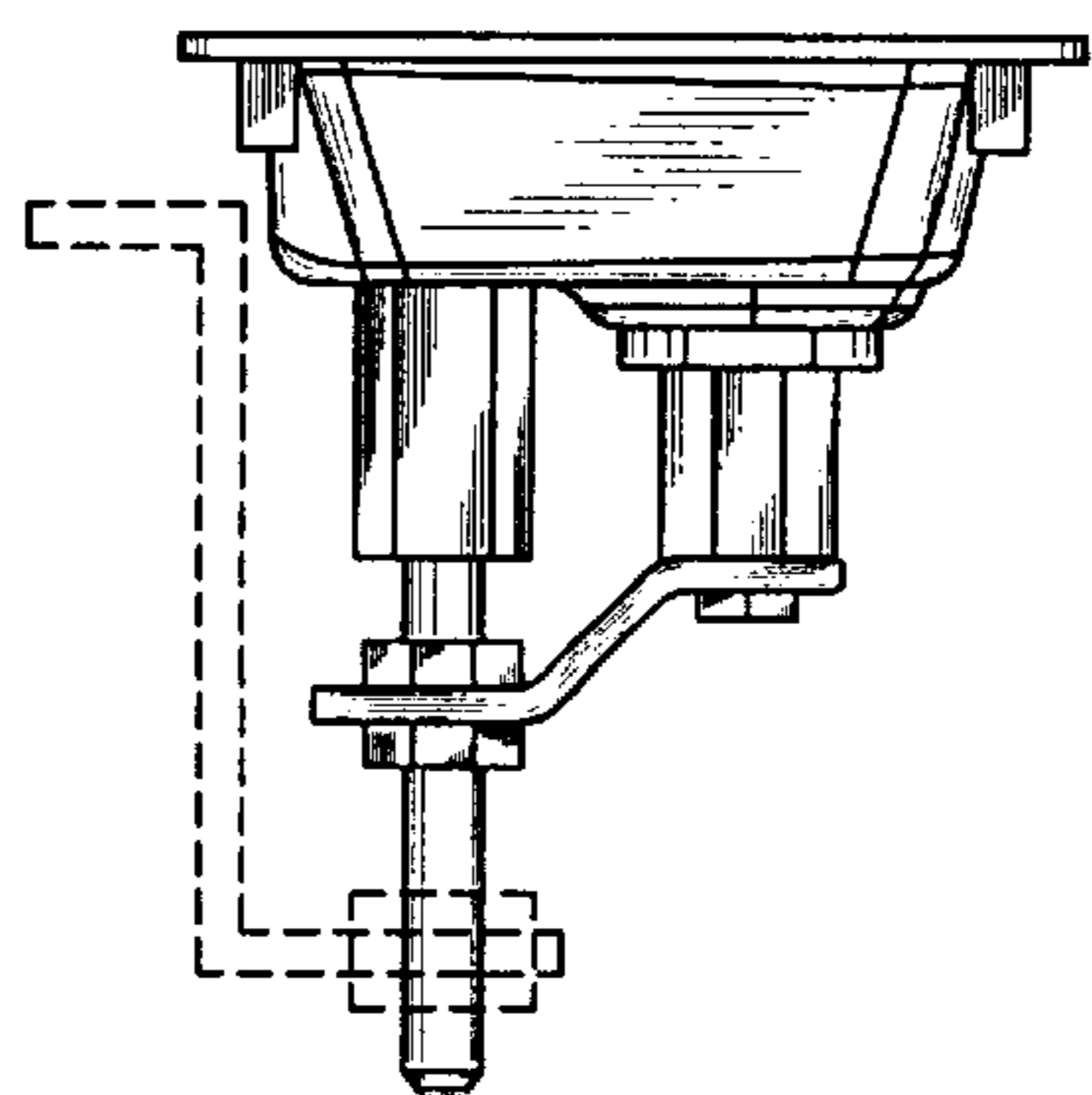


FIG. 6

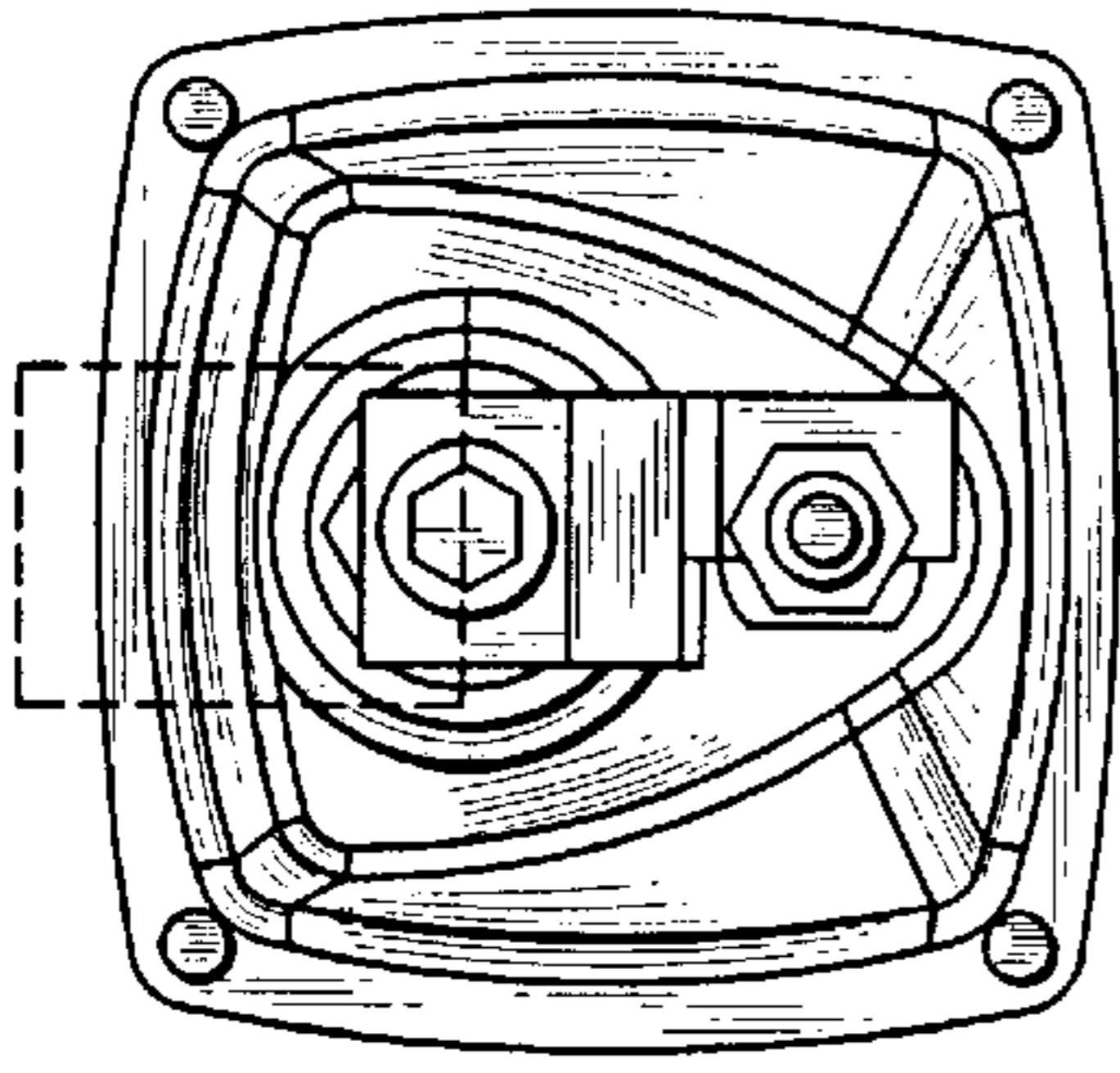


FIG. 7

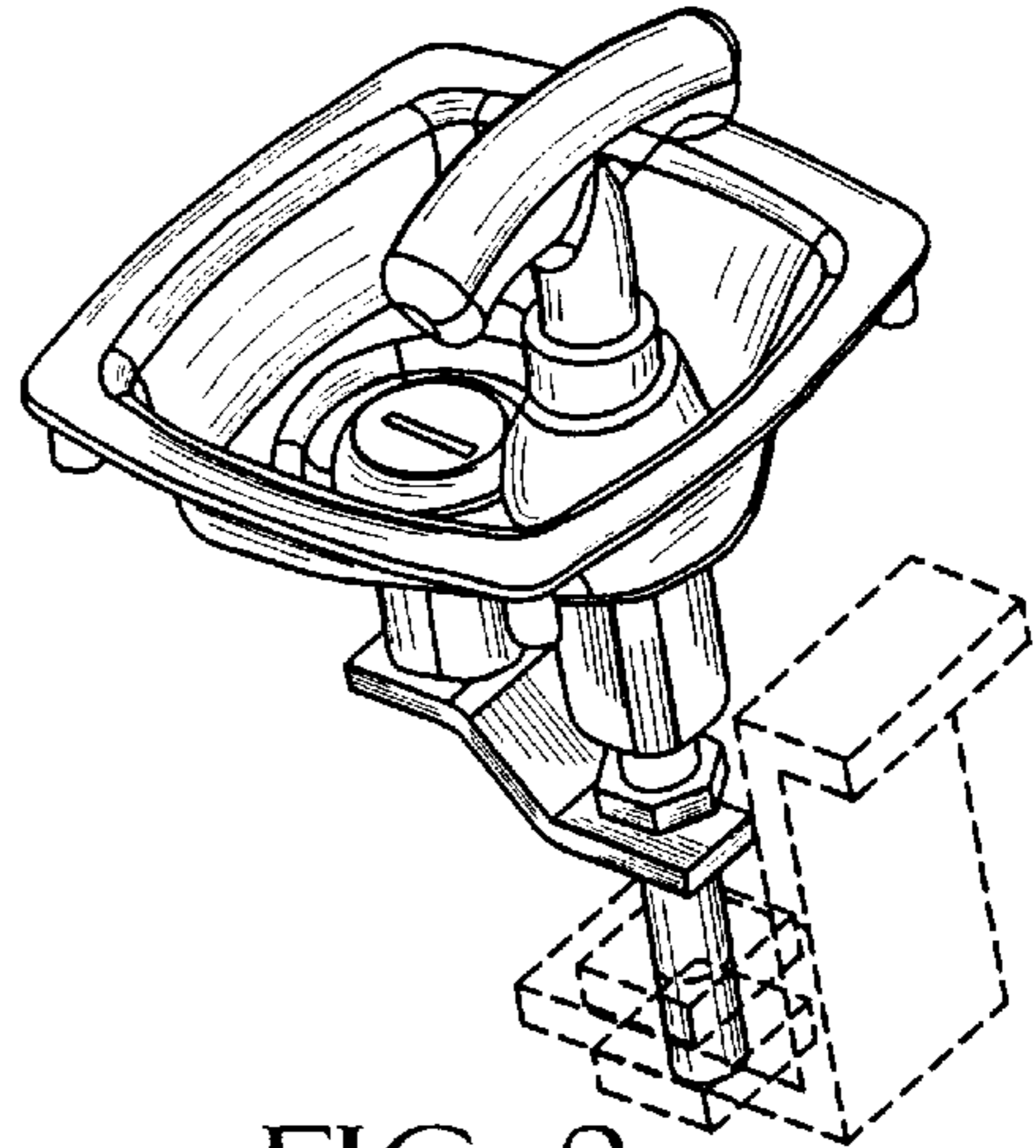


FIG. 8

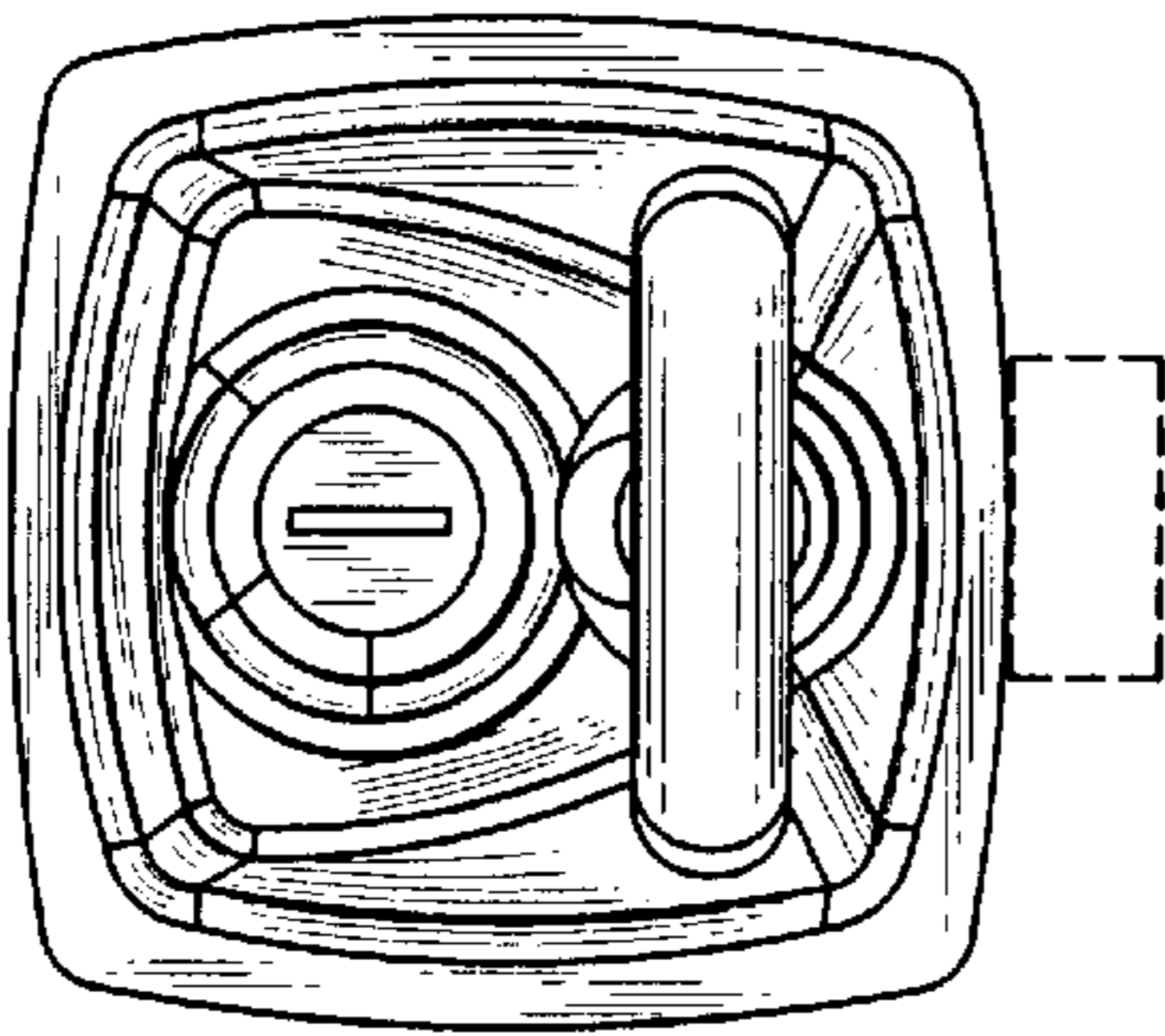


FIG. 9

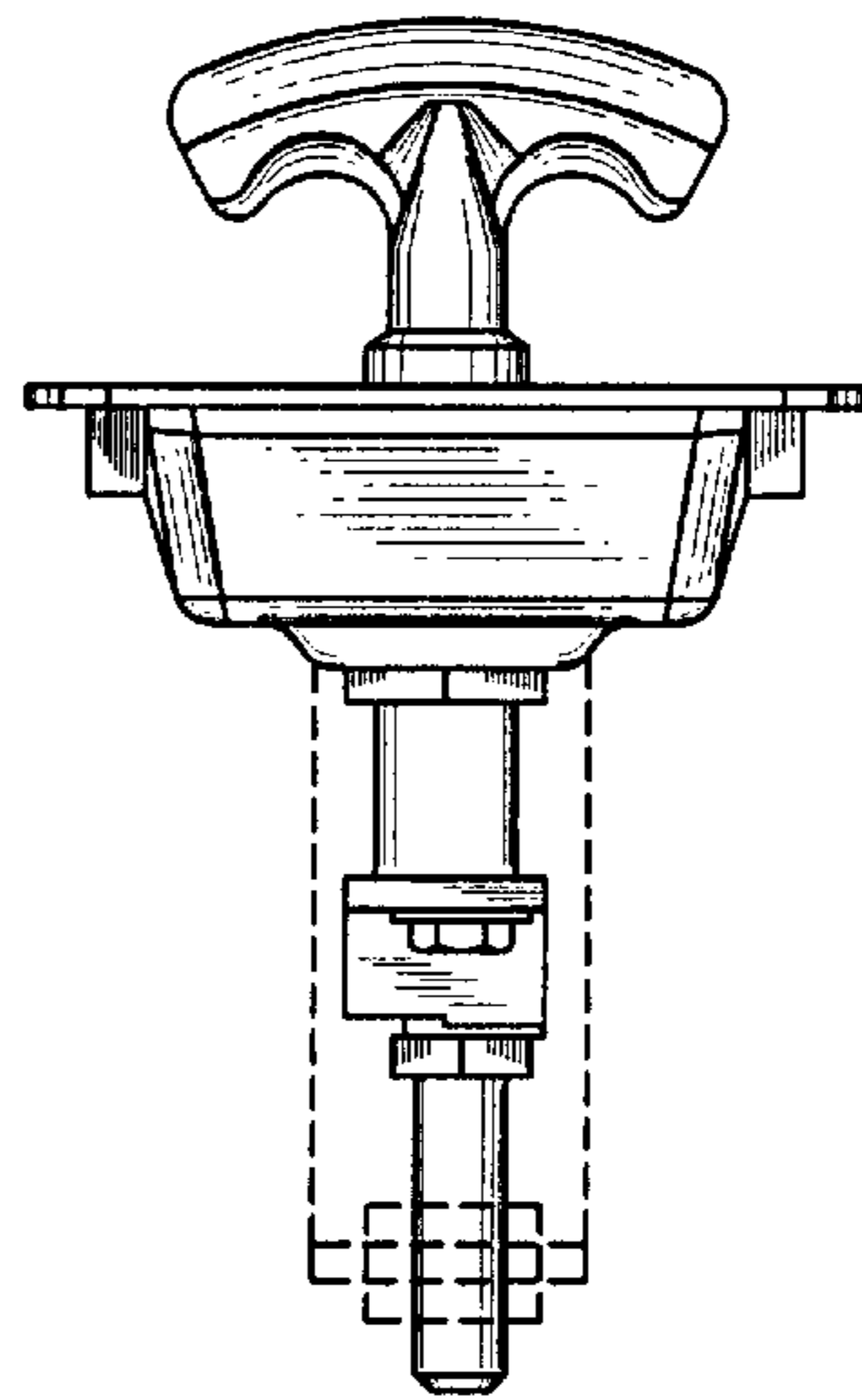


FIG. 10

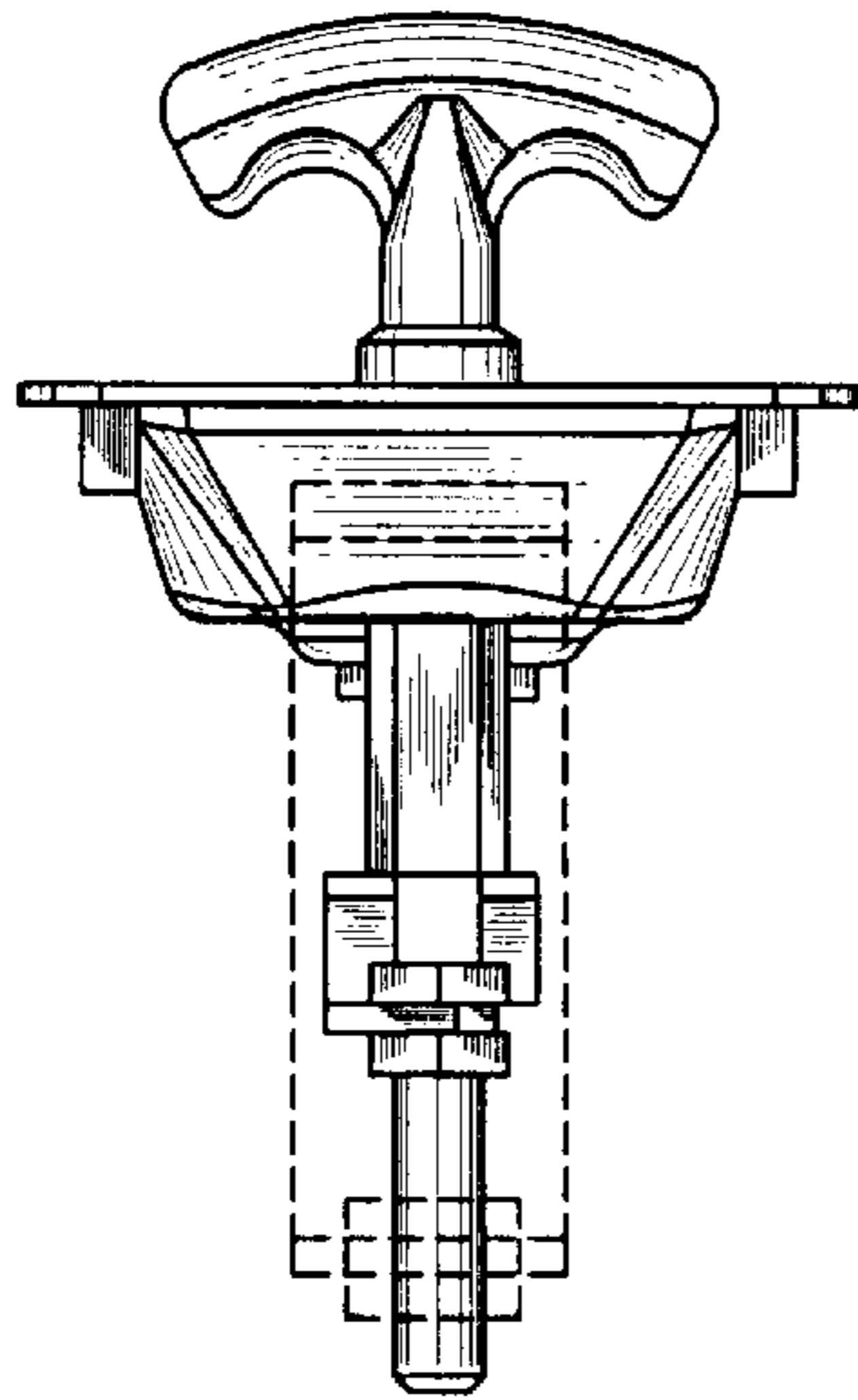


FIG. 11

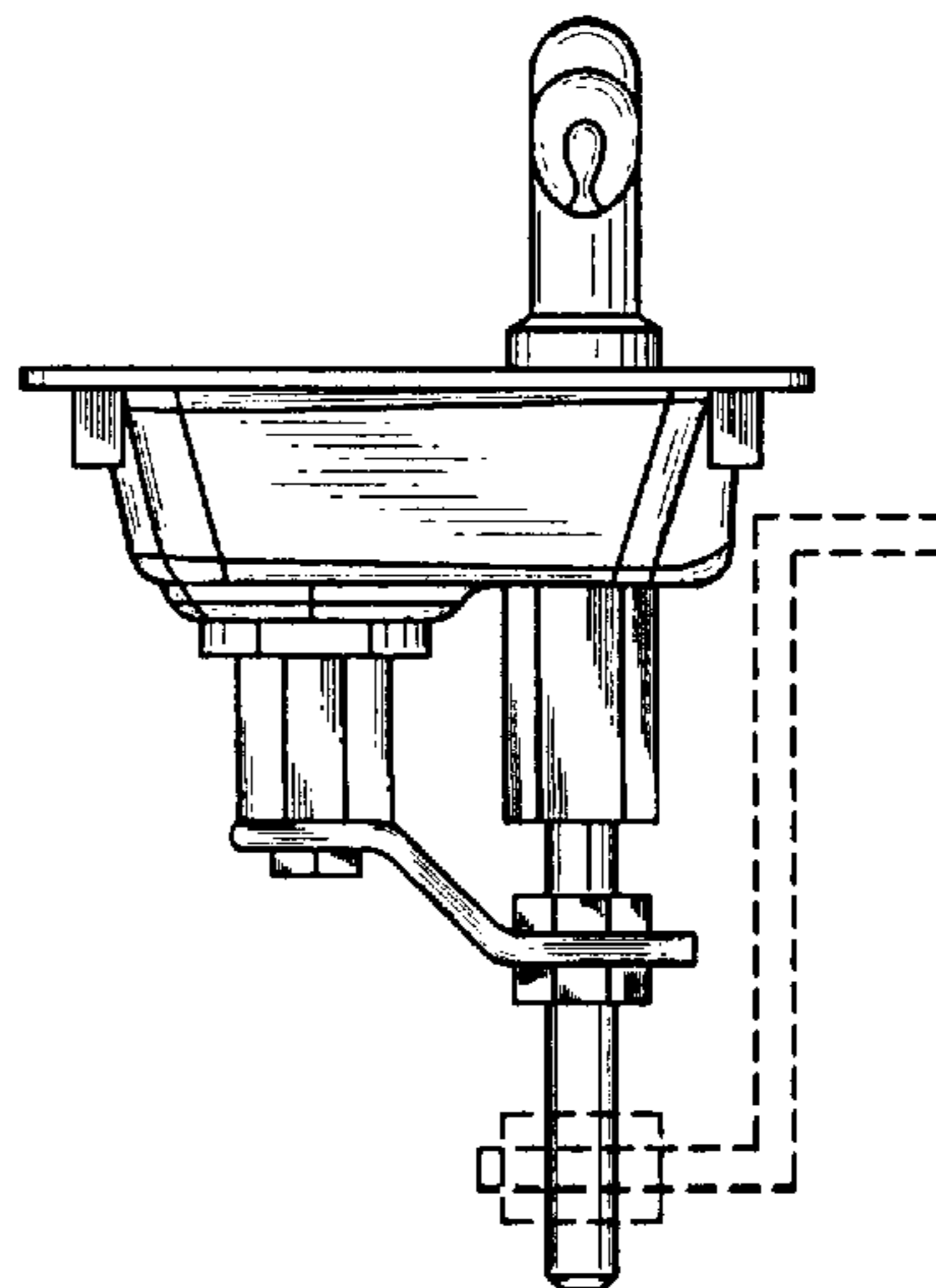


FIG. 12

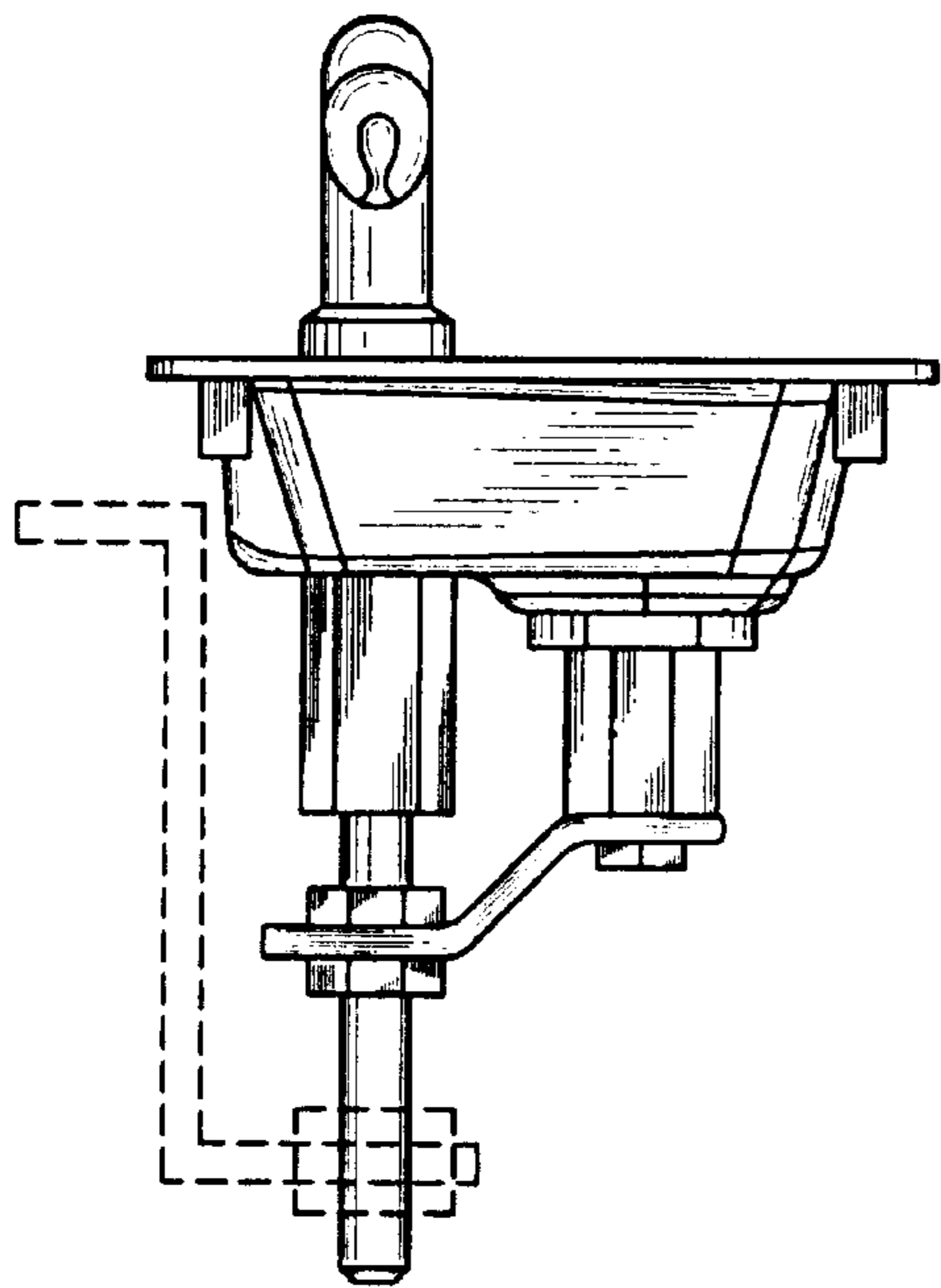


FIG. 13

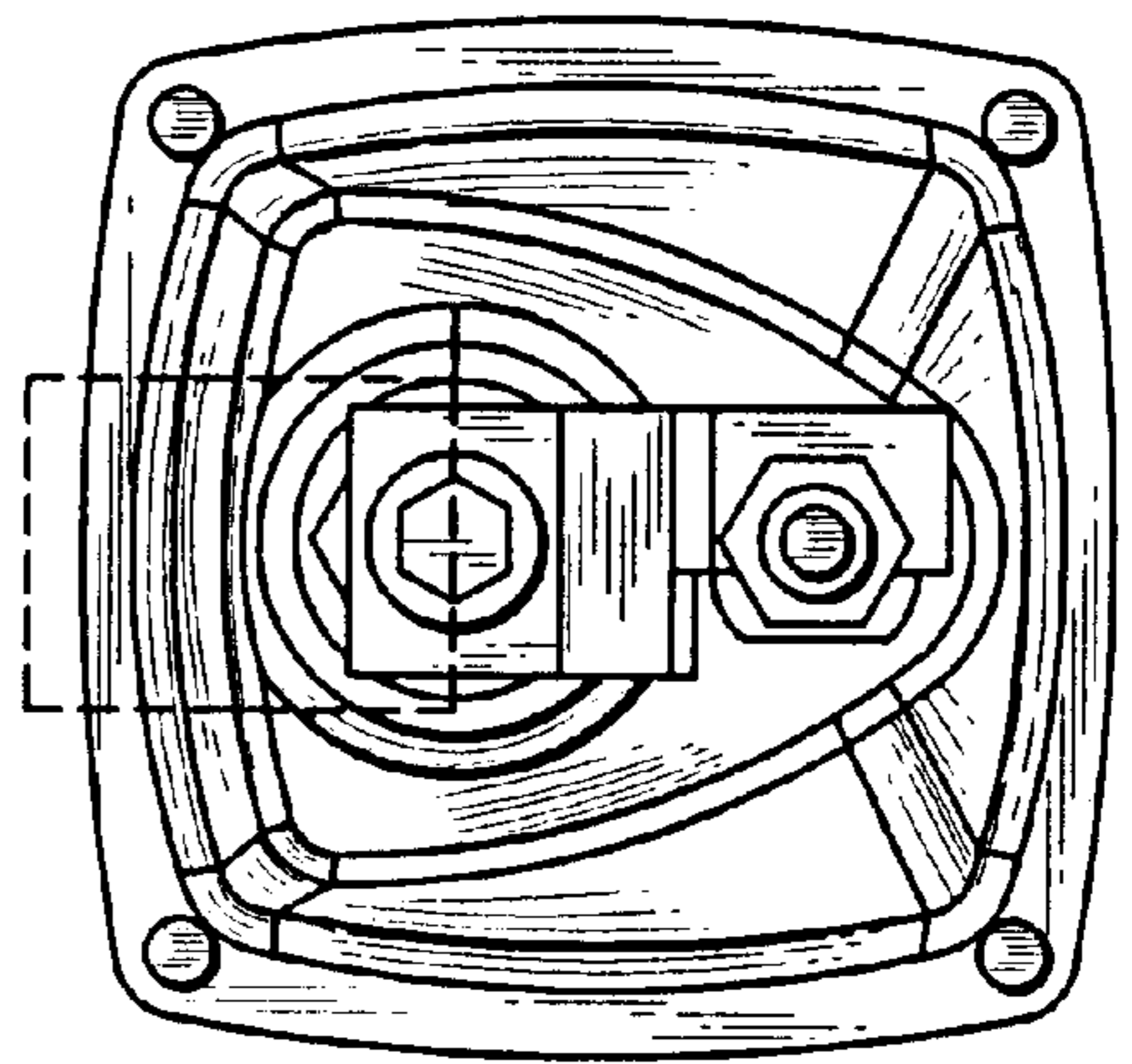


FIG. 14

UNITED STATES PATENT AND TRADEMARK OFFICE
CERTIFICATE OF CORRECTION

PATENT NO. : Des. 427,882

DATED : July 11, 2000

INVENTOR(S) : Roger Wytcherley, David Sorin and David Storer

It is certified that error appears in the above-identified patent and that said Letters Patent are hereby corrected as shown below:

On the front page of the Patent insert the following:

—Assignee: Southco, Inc., Concordville, Pa.—

—Attorney, Agent, or Firm- Paul & Paul—.

Signed and Sealed this
Seventeenth Day of April, 2001

Attest:



NICHOLAS P. GODICI

Attesting Officer

Acting Director of the United States Patent and Trademark Office