



US00D427881S

United States Patent [19]

Weinerman et al.

[11] Patent Number: **Des. 427,881**

[45] Date of Patent: **** Jul. 11, 2000**

[54] **FACE PORTIONS OF HOUSING AND HANDLE ASSEMBLIES FOR LATCHES AND LOCKS**

[75] Inventors: **Lee S. Weinerman**, Medina; **Scott A. Arthurs**, Brunswick, both of Ohio

[73] Assignee: **The Eastern Company**, Cleveland, Ohio

[**] Term: **14 Years**

[21] Appl. No.: **29/105,433**

[22] Filed: **May 25, 1999**

Related U.S. Application Data

[63] Continuation-in-part of application No. 29/097,282, Dec. 3, 1998, Pat. No. Des. 415,406.

[51] **LOC (7) Cl.** **08-07**

[52] **U.S. Cl.** **D8/331**

[58] **Field of Search** D8/330, 331, 343; 292/42, 116, 137, 145, 166, 337, DIG. 37, DIG. 30, DIG. 23, DIG. 31, DIG. 53; 70/77, 89, 83, 91, 118, 158, 457, 208, 209, 210

[56] References Cited

U.S. PATENT DOCUMENTS

608,601	8/1898	Henneberg et al. .	
907,493	12/1908	Gunther .	
981,843	1/1911	Davis .	
1,137,828	5/1915	Anderson .	
1,374,732	4/1921	Hamilton .	
2,729,089	1/1956	Pelcin	70/151
2,735,706	2/1956	Pelcin	292/34
2,825,219	3/1958	Marzillier	70/146
3,333,878	8/1967	Pelcin	292/37
3,953,061	4/1976	Hansen et al.	292/5

4,470,277	9/1984	Uyeda	70/118
4,639,021	1/1987	Hope	292/7
4,641,865	2/1987	Pastua	292/5
4,678,212	7/1987	Rubio	292/7
4,892,338	1/1990	Weinerman et al.	292/35
5,595,076	1/1997	Weinerman et al.	70/208

OTHER PUBLICATIONS

Eberhard Manufacturing Co., "Catalog 107", 1996, pp. 71, 72, Depicting the No. 560 Dead Bolt Latch.

Primary Examiner—Alan P. Douglas
Assistant Examiner—Linda Brooks
Attorney, Agent, or Firm—David A. Burge

[57] CLAIM

The ornamental design for face portions of housing and handle assemblies for latches and locks, as shown and described.

DESCRIPTION

FIG. 1 is a front perspective view of face portions of a housing and handle assembly for latch and lock showing our new design;

FIG. 2 is a front elevational view thereof;

FIG. 3 is a side elevational view thereof;

FIG. 4 is a cross-sectional view thereof, taken along line 4—4 shown in FIG. 3;

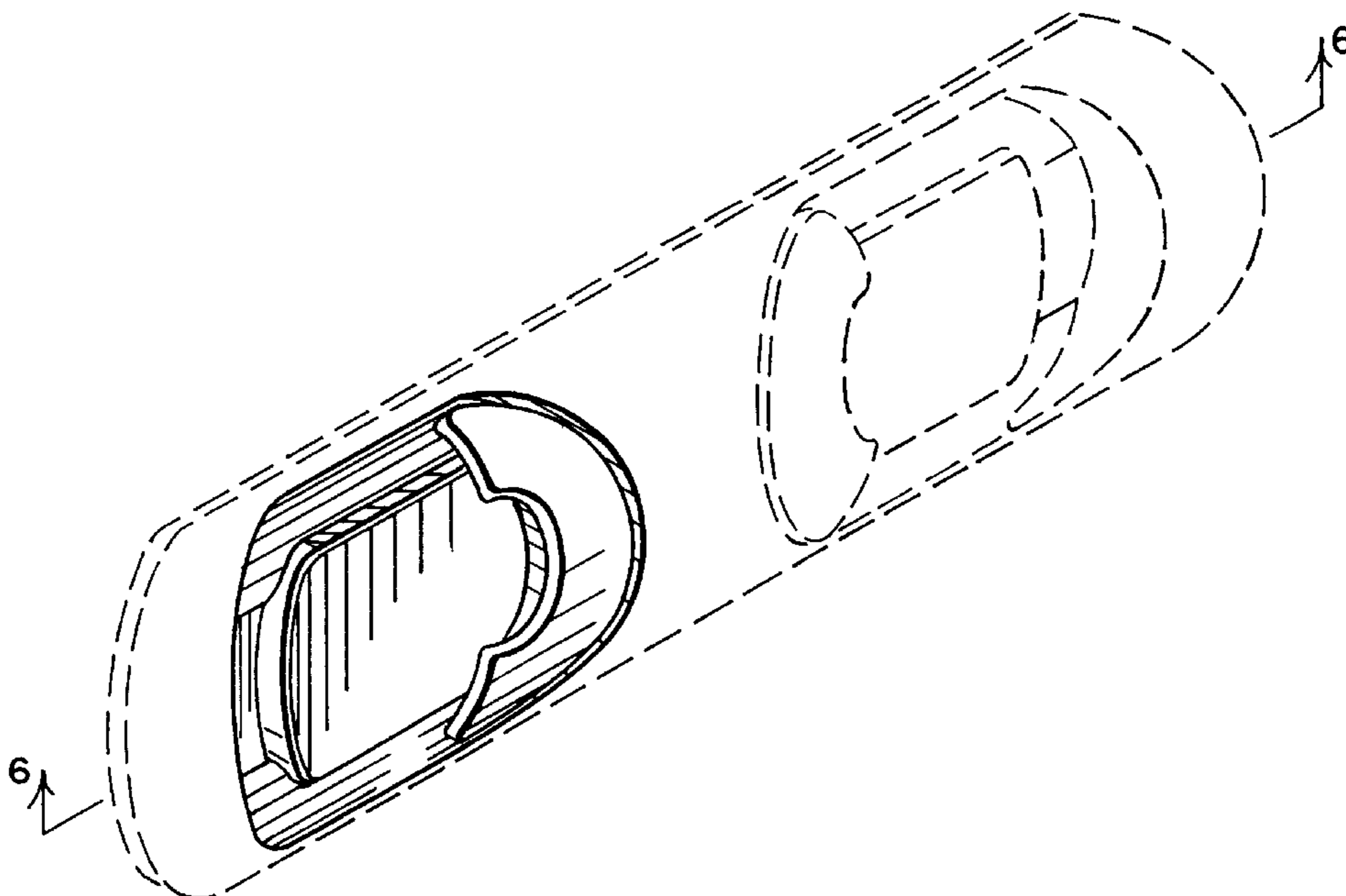
FIG. 5 is a front perspective view thereof, with the slide handles shown in an alternate position;

FIG. 6 is a cross-sectional view thereof, taken along line 6—6 shown in FIG. 1; and,

FIG. 7 is a cross-sectional view thereof, taken along line 7—7 shown in FIG. 5.

The broken line showing is for illustrative purposes only and forms no part of the claimed design.

1 Claim, 3 Drawing Sheets



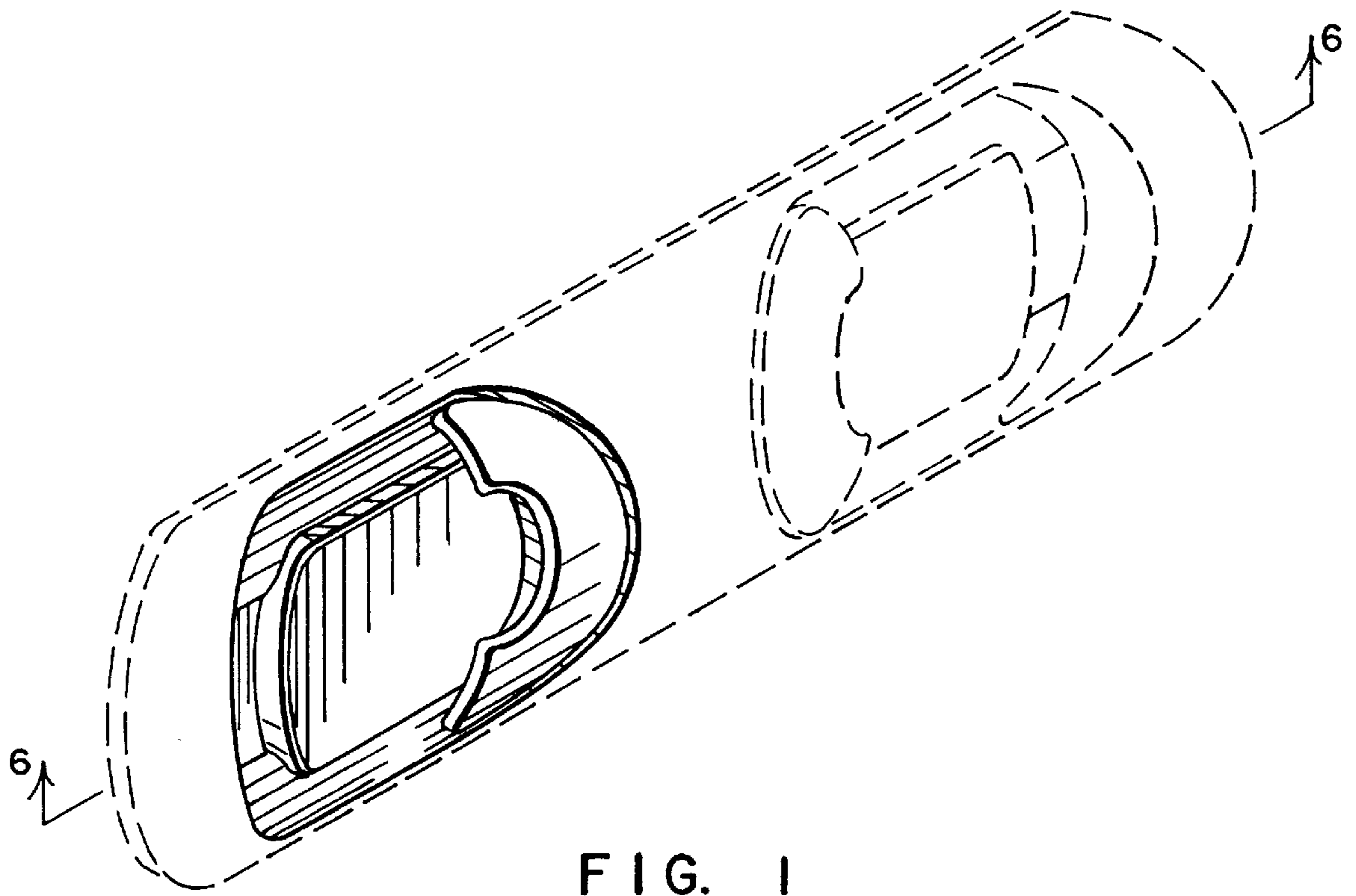


FIG. 1

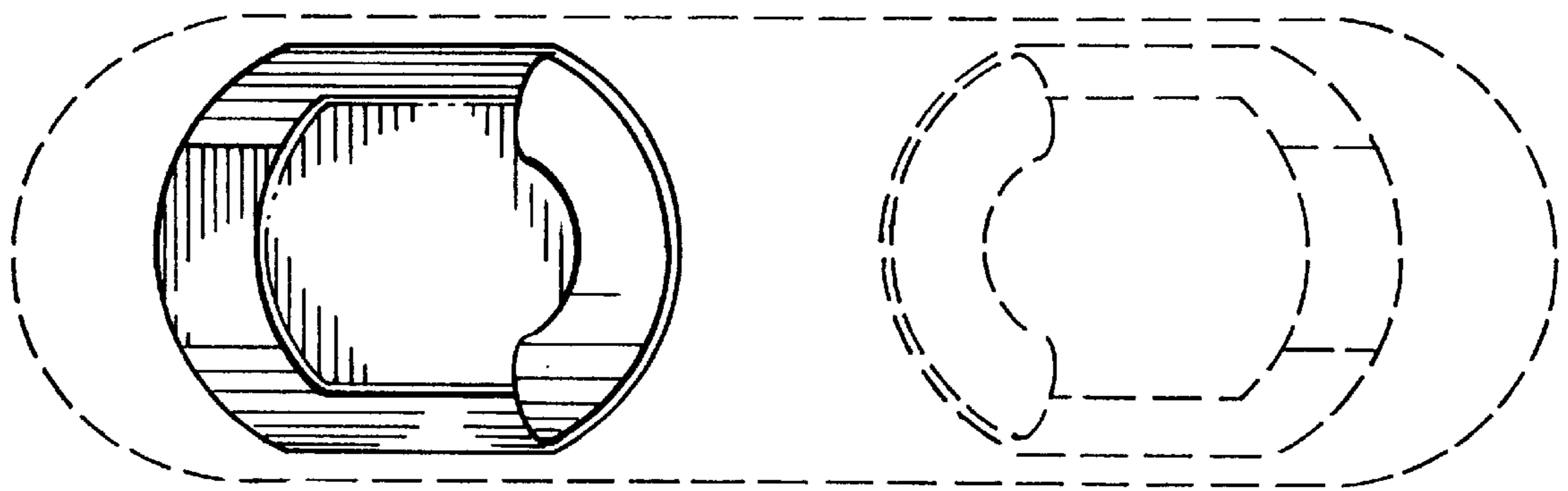


FIG. 2

