



US00D427875S

United States Patent [19] Chiu

[11] Patent Number: **Des. 427,875**
[45] Date of Patent: **** Jul. 11, 2000**

[54] **COMPACT TOOL COMBINATION**

[76] Inventor: **Shu-Ling Chiu**, No. 22-7, Nong 15,
Lane 418, Jien-De St., Taichung,
Taiwan

[**] Term: **14 Years**

[21] Appl. No.: **29/110,338**

[22] Filed: **Sep. 7, 1999**

[51] **LOC (7) Cl.** **08-05**

[52] **U.S. Cl.** **D8/105; D8/26**

[58] **Field of Search** D8/105, 26, 99,
D8/55, 81, 87, 29, 21, 28; 30/161, 164,
153, 152; 7/118, 125-135, 138, 143, 164,
170, 146, 168; 81/177.1, 177.2, 440, 177.6,
427.5

[56] **References Cited**

U.S. PATENT DOCUMENTS

D. 156,677	12/1949	Smith	D8/21
D. 168,900	2/1953	Lutsker	D8/29 X
D. 332,384	1/1993	Dague	D8/105
D. 350,271	9/1994	Landy et al.	D8/99
D. 364,327	11/1995	Graham	D8/105
D. 398,212	9/1998	Cachot	D8/105

D. 407,620	4/1999	Cachot	D8/105
1,696,444	12/1928	Miller et al.	D8/29 X
2,065,340	12/1936	McNaught et al.	D8/26 X
2,065,341	12/1936	McNaught et al.	D8/29 X
2,804,970	9/1957	Kuc et al.	7/138 X
3,943,801	3/1976	Yates	D8/29 X
4,759,645	7/1988	Kuo	384/396
5,450,774	9/1995	Chang	81/440
5,711,042	1/1998	Chuang	7/138
5,970,553	10/1999	Lin	7/143

Primary Examiner—Jeffrey Asch
Attorney, Agent, or Firm—Charles E Baxley, Esq.

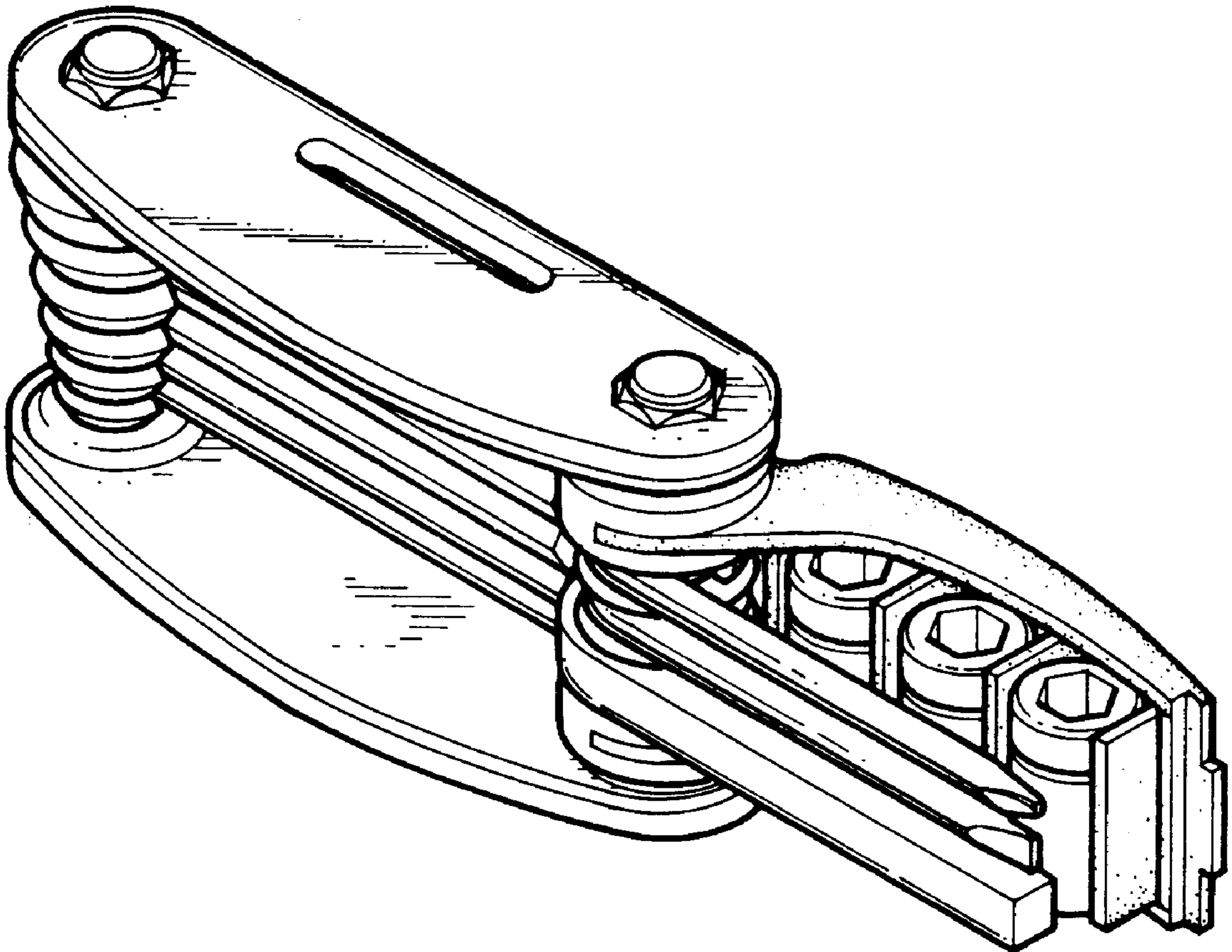
[57] **CLAIM**

The ornamental design for a compact tool combination, as shown and described.

DESCRIPTION

FIG. 1 is a perspective view of a compact tool combination showing my new design;
FIG. 2 is a front elevational view thereof;
FIG. 3 is a rear elevational view thereof;
FIG. 4 is a top plan view thereof;
FIG. 5 is a bottom plan view thereof;
FIG. 6 is a left side elevational view thereof; and,
FIG. 7 is a right side elevational view thereof.

1 Claim, 4 Drawing Sheets



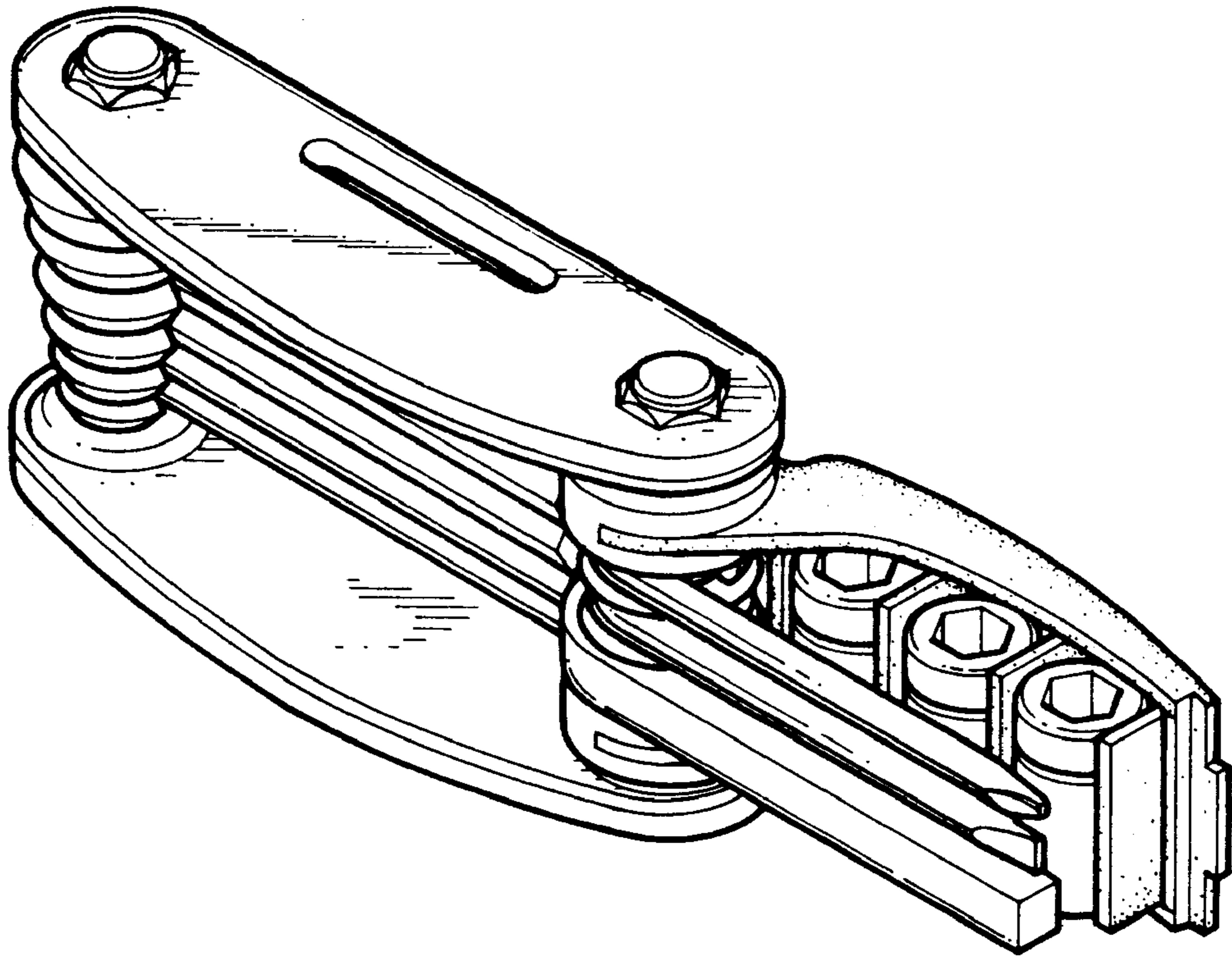


FIG. 1

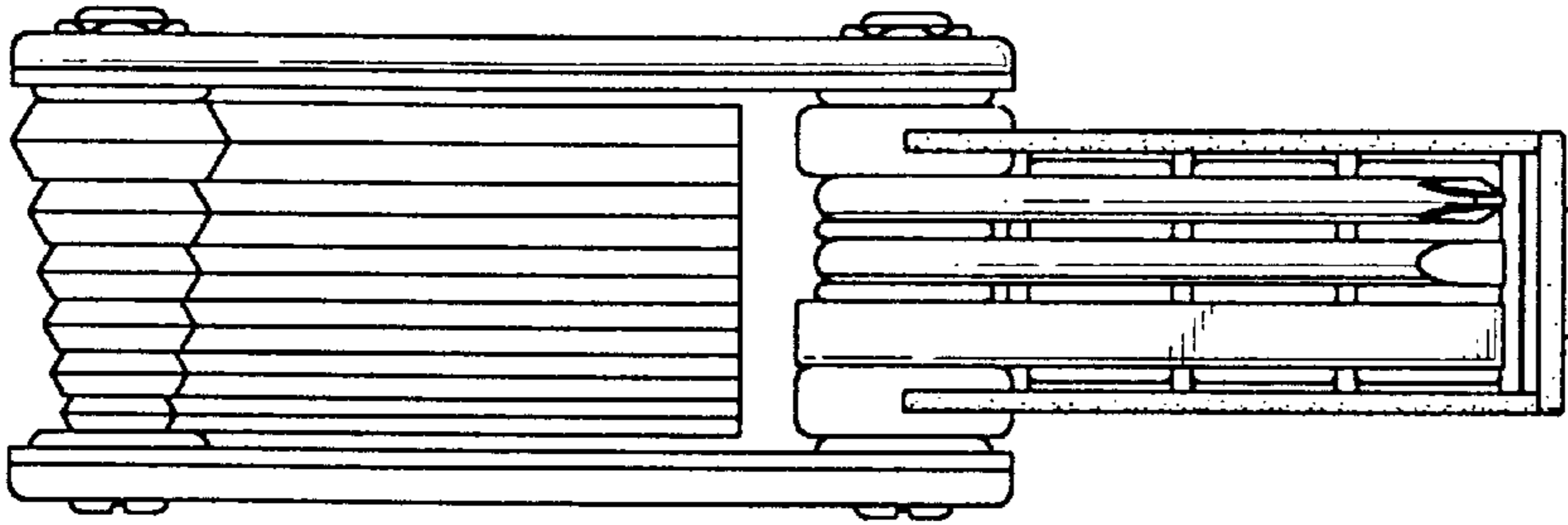


FIG. 2

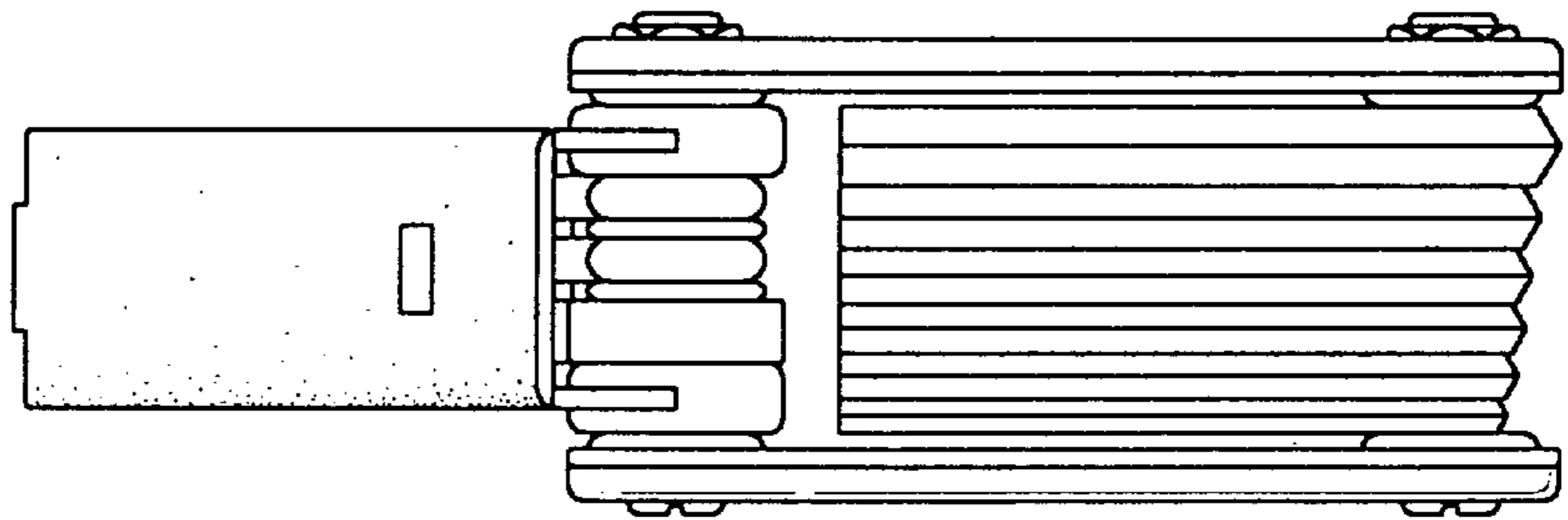


FIG. 3

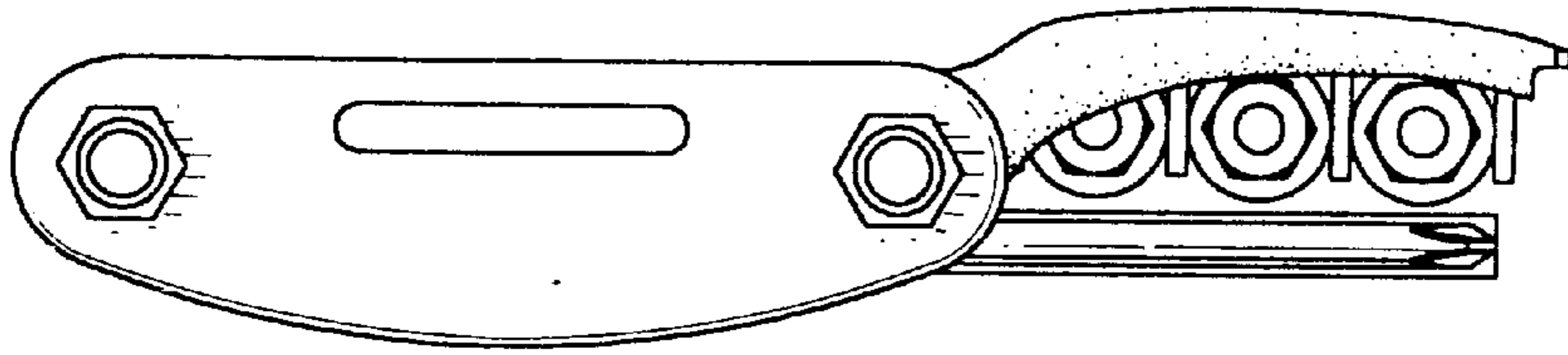


FIG. 4

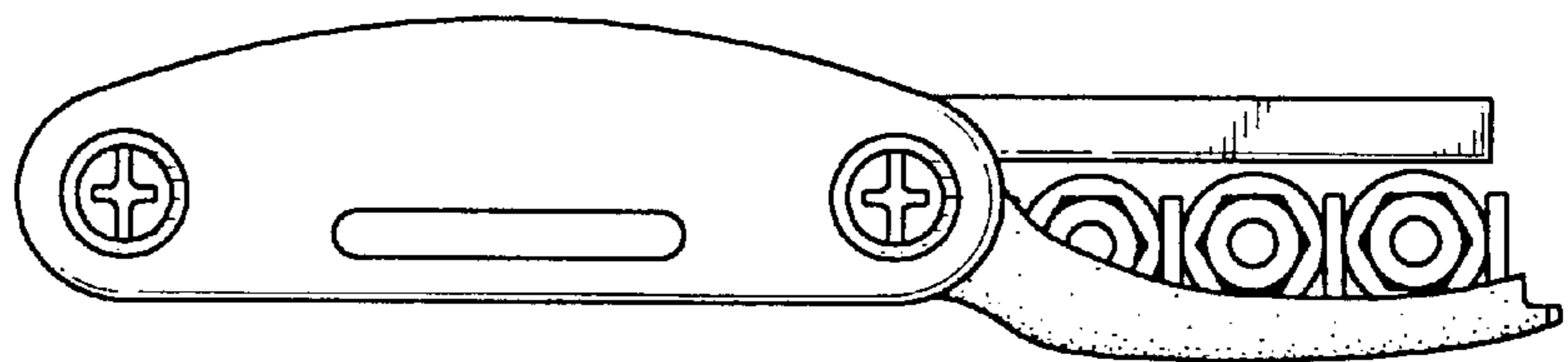


FIG. 5

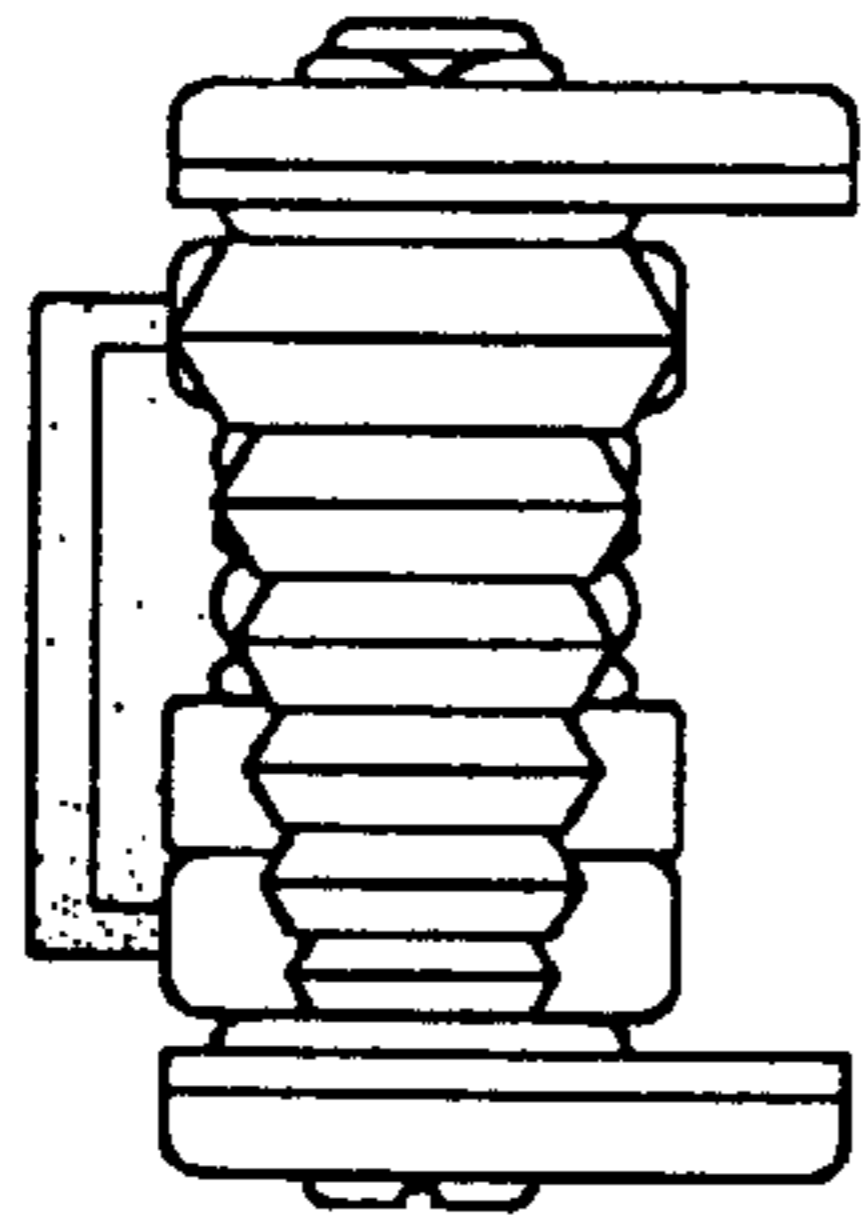


FIG. 6

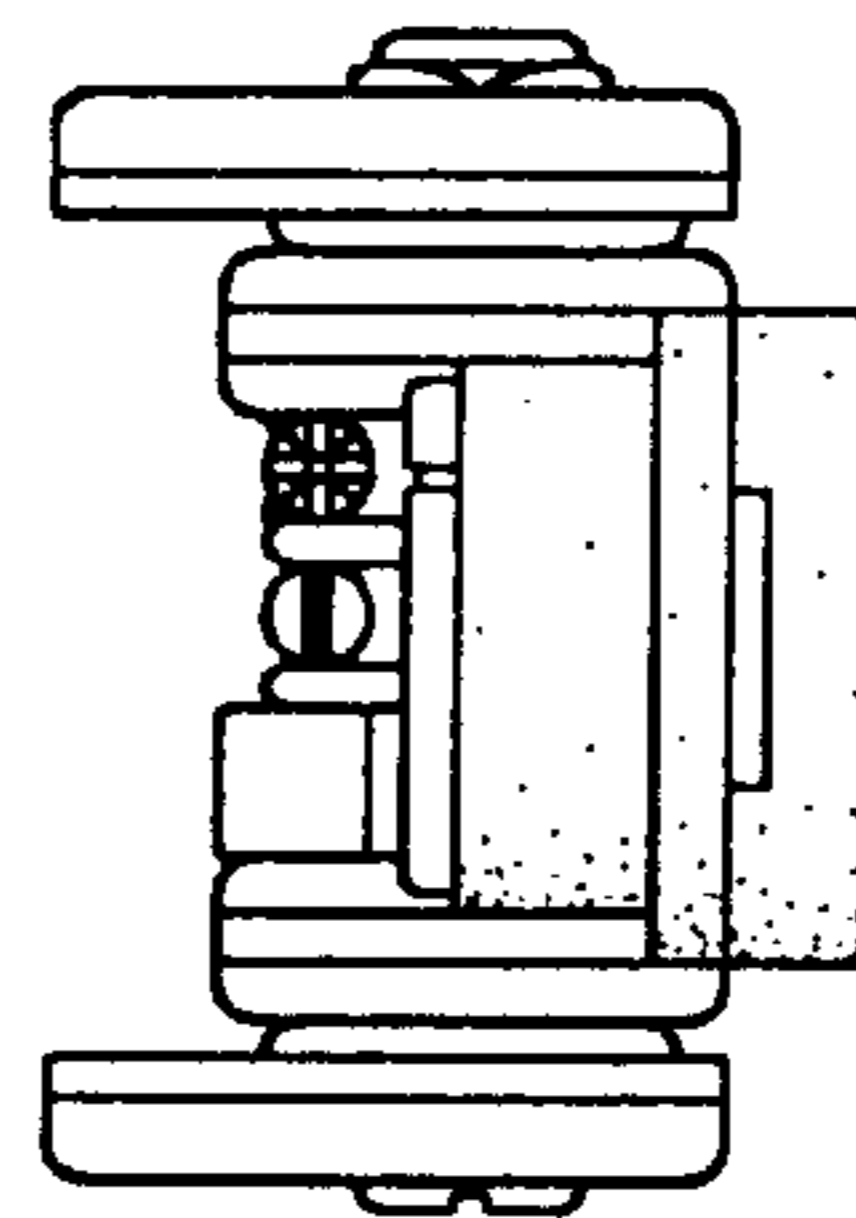


FIG. 7