



US00D427874S

United States Patent [19]

Hayakawa et al.

[11] Patent Number: **Des. 427,874**

[45] Date of Patent: **** Jul. 11, 2000**

[54] **CIRCULAR SAW**

[75] Inventors: **Naohiro Hayakawa; Hideki Abe**, both of Anjo, Japan

[73] Assignee: **Makita Corporation**, Anjo, Japan

[**] Term: **14 Years**

[21] Appl. No.: **29/115,171**

[22] Filed: **Dec. 9, 1999**

[30] Foreign Application Priority Data

Jun. 9, 1999 [JP] Japan 11-15231

[51] **LOC (7) Cl.** **08-03**

[52] **U.S. Cl.** **D8/66**

[58] **Field of Search** D8/61, 62, 64, D8/65, 66, 68, 69, 70, 107, DIG. 7; 30/166.3, 272.1, 123, 374-377, 124, 392-394, 388-390; 81/489

[56] References Cited

U.S. PATENT DOCUMENTS

- D. 348,193 6/1994 Sasaki et al. D8/66
- D. 411,424 6/1999 Saito .
- D. 411,425 6/1999 Sugimoto et al. .

- D. 411,426 6/1999 Morita .
- 4,466,187 8/1984 Morimoto 30/124
- 5,570,511 11/1996 Reich et al. 30/376
- 5,675,895 10/1997 Mori et al. 30/124
- 5,822,864 10/1998 Campbell et al. 30/123

FOREIGN PATENT DOCUMENTS

752570 2/1995 Japan .

Primary Examiner—Martie K. Holtje
Attorney, Agent, or Firm—Dennison, Scheiner, Schultz & Wakeman

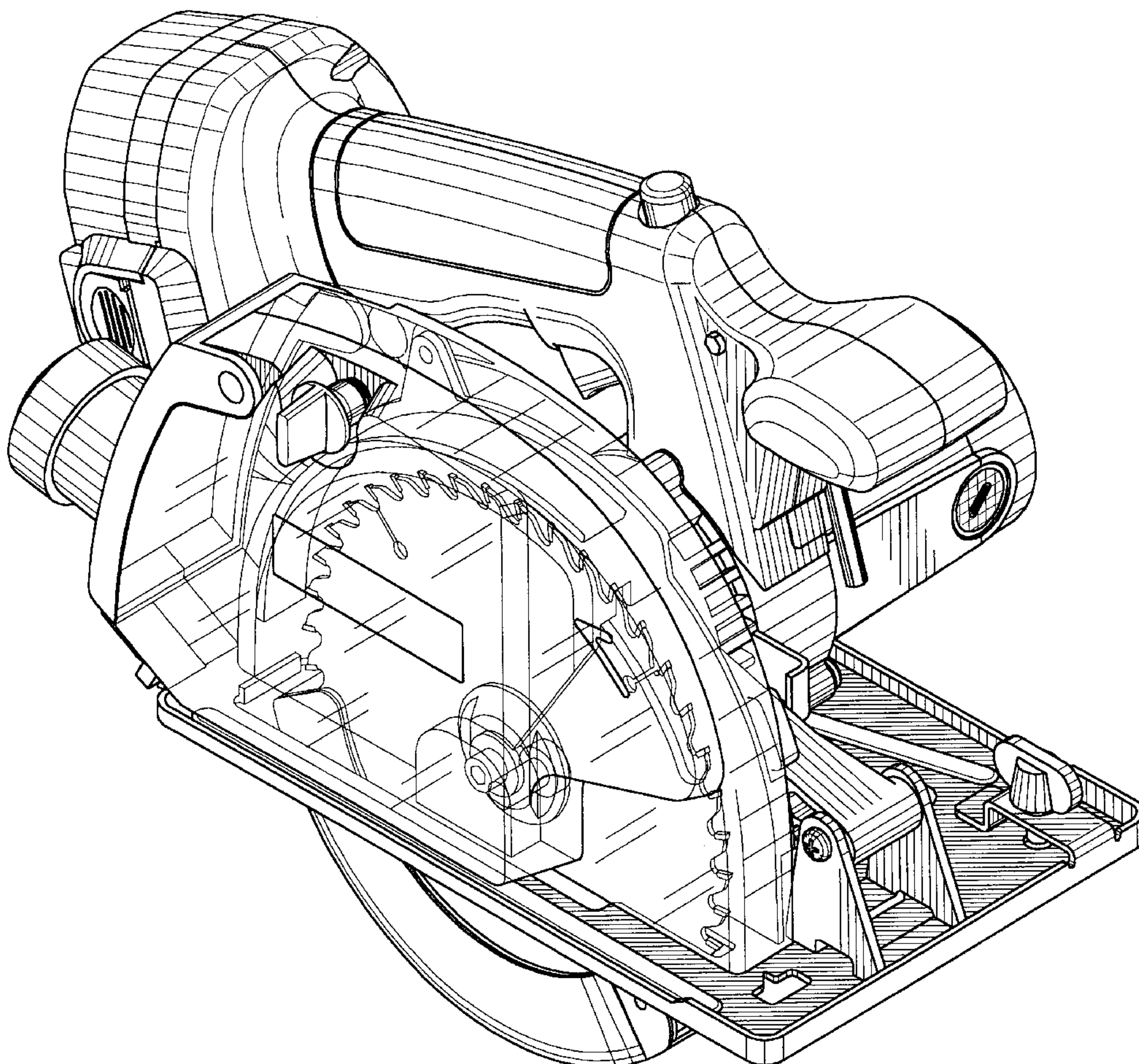
[57] CLAIM

The ornamental design for a circular saw, as shown and described.

DESCRIPTION

FIG. 1 is a perspective view of a circular saw showing our new design;
FIG. 2 is a front elevation view thereof;
FIG. 3 is a rear elevation view thereof;
FIG. 4 is a left side elevation view thereof;
FIG. 5 is a right side elevation view thereof;
FIG. 6 is a top plan view thereof; and,
FIG. 7 is a bottom plan view thereof.

1 Claim, 7 Drawing Sheets



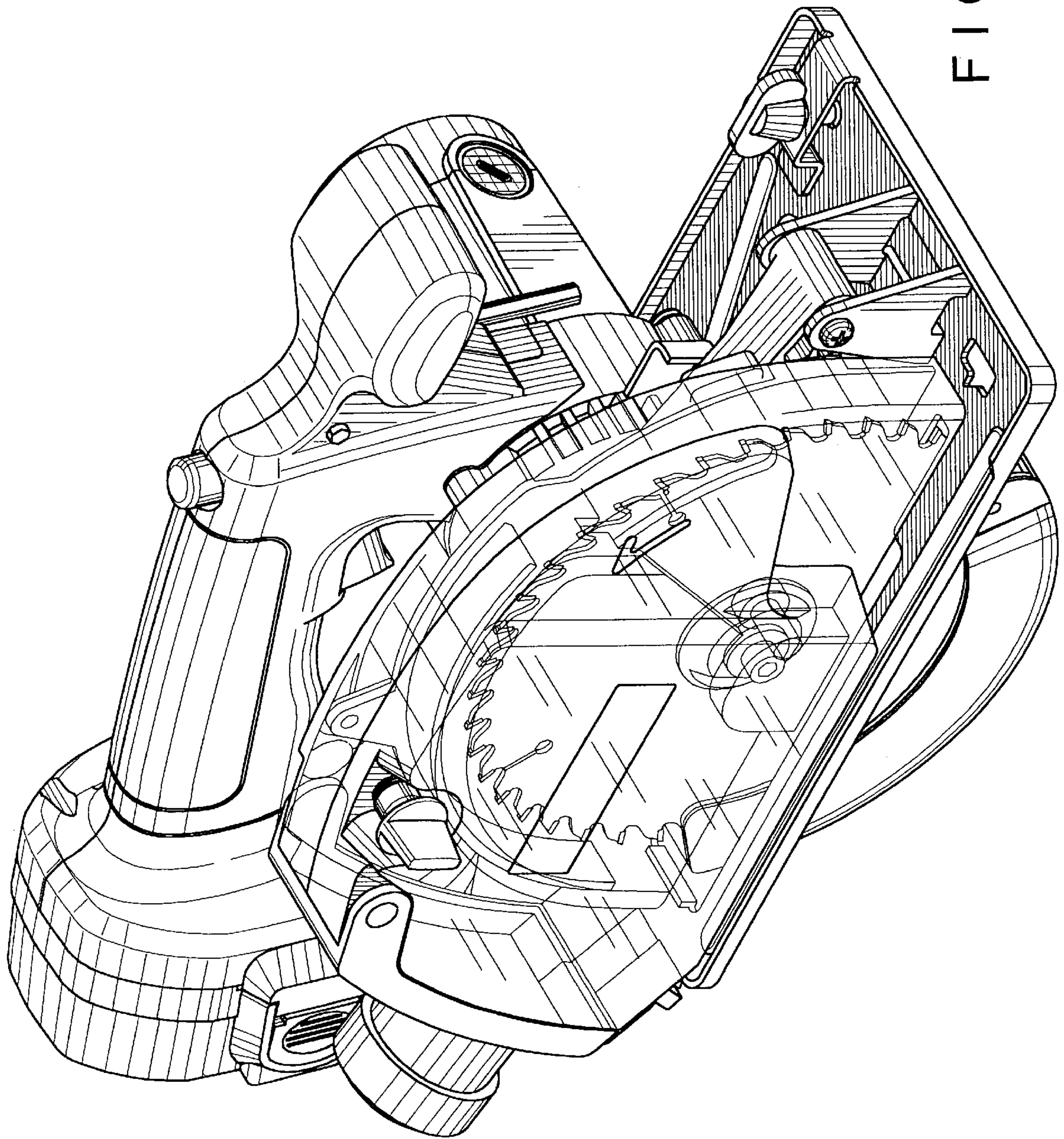


FIG. 1

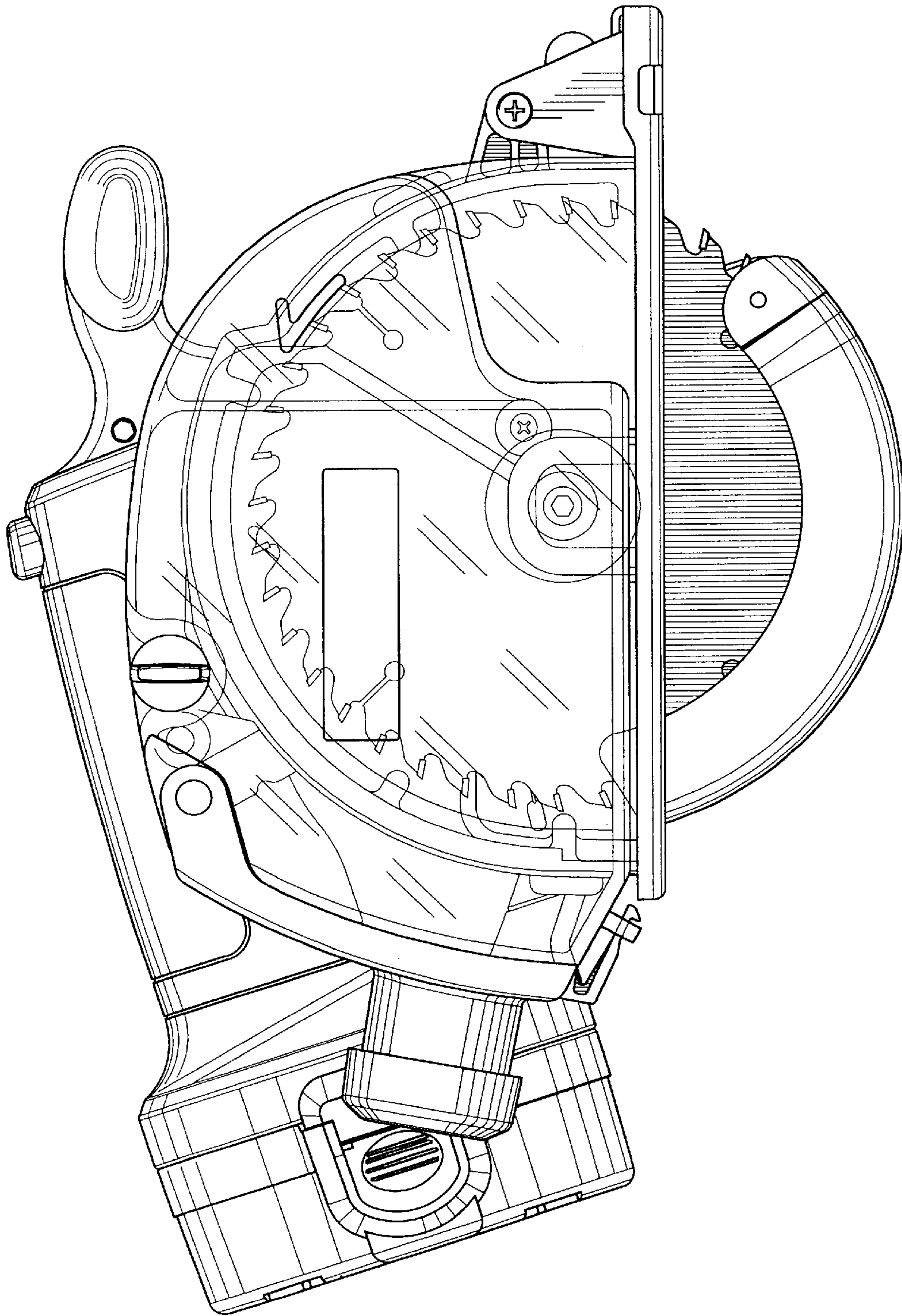


FIG. 2

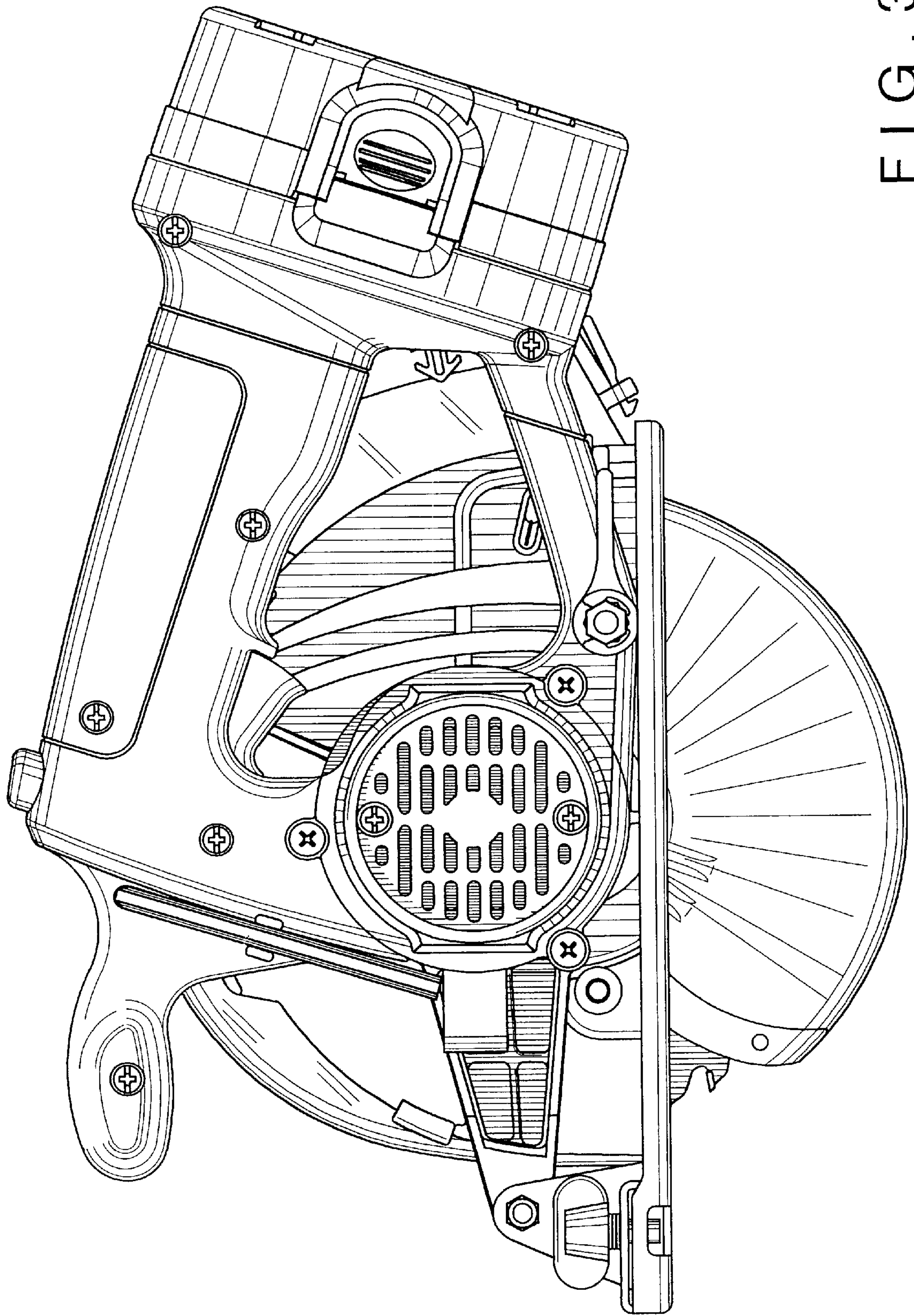


FIG. 3

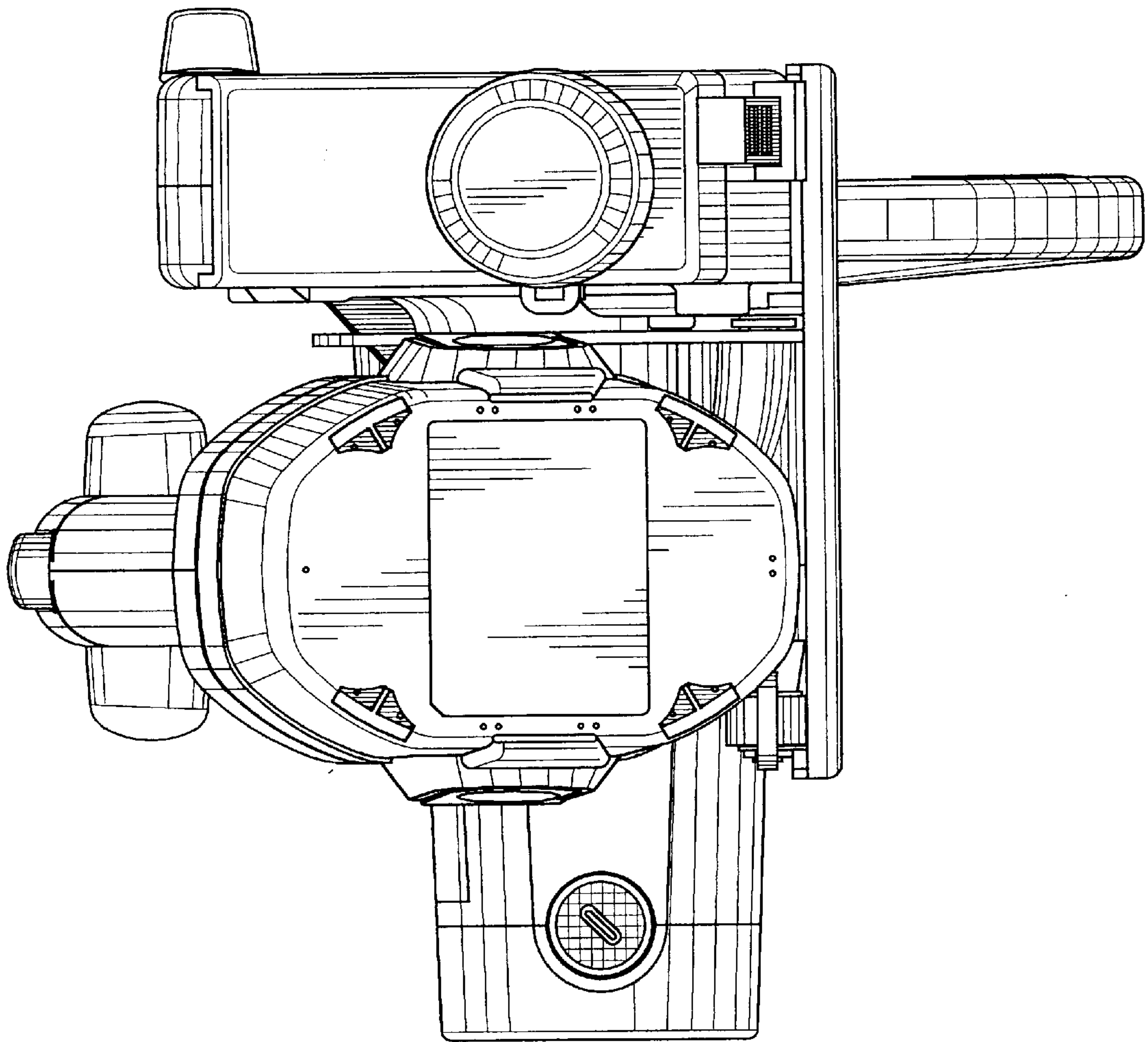


FIG. 4

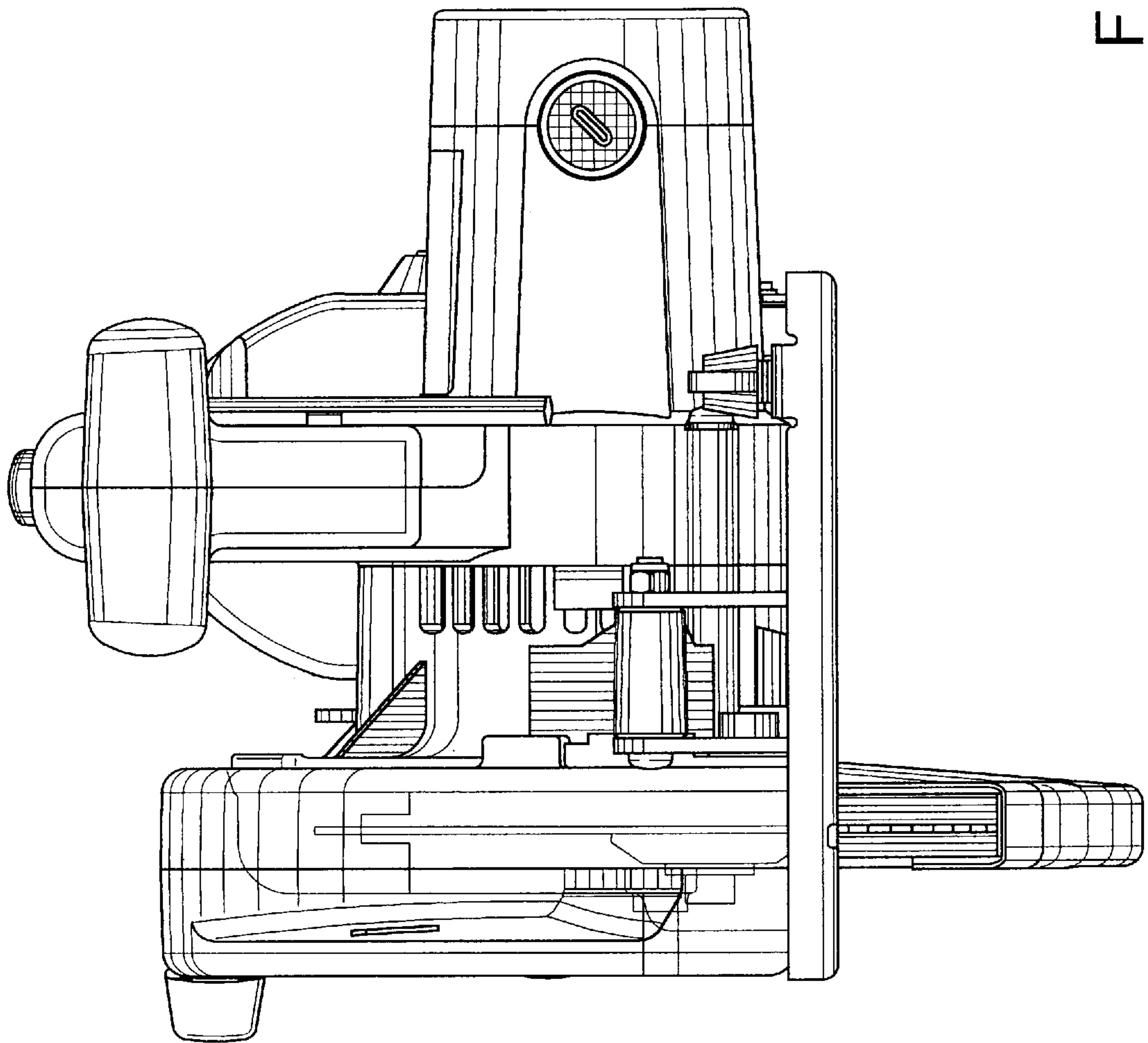


FIG. 5

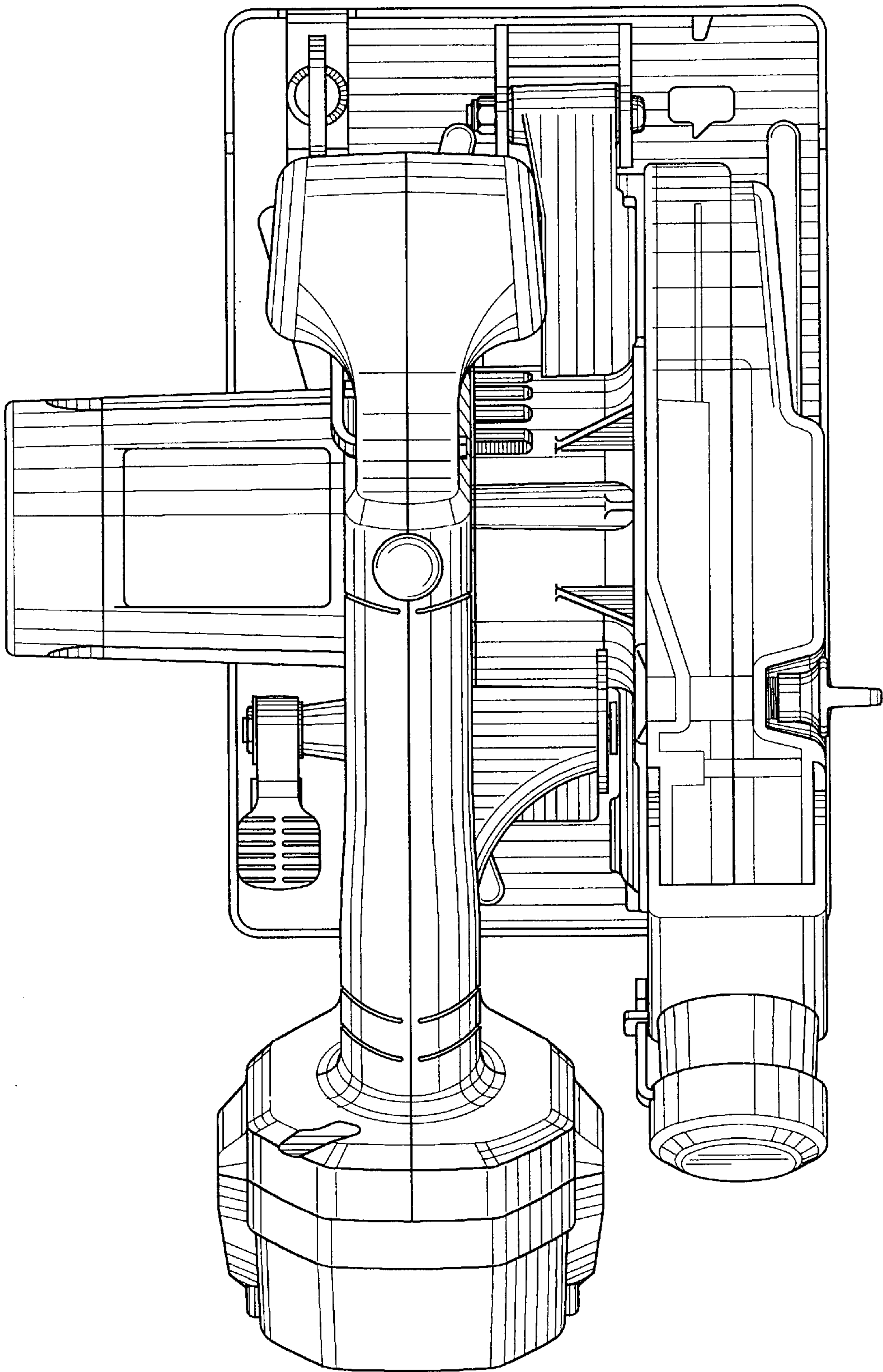


FIG. 6

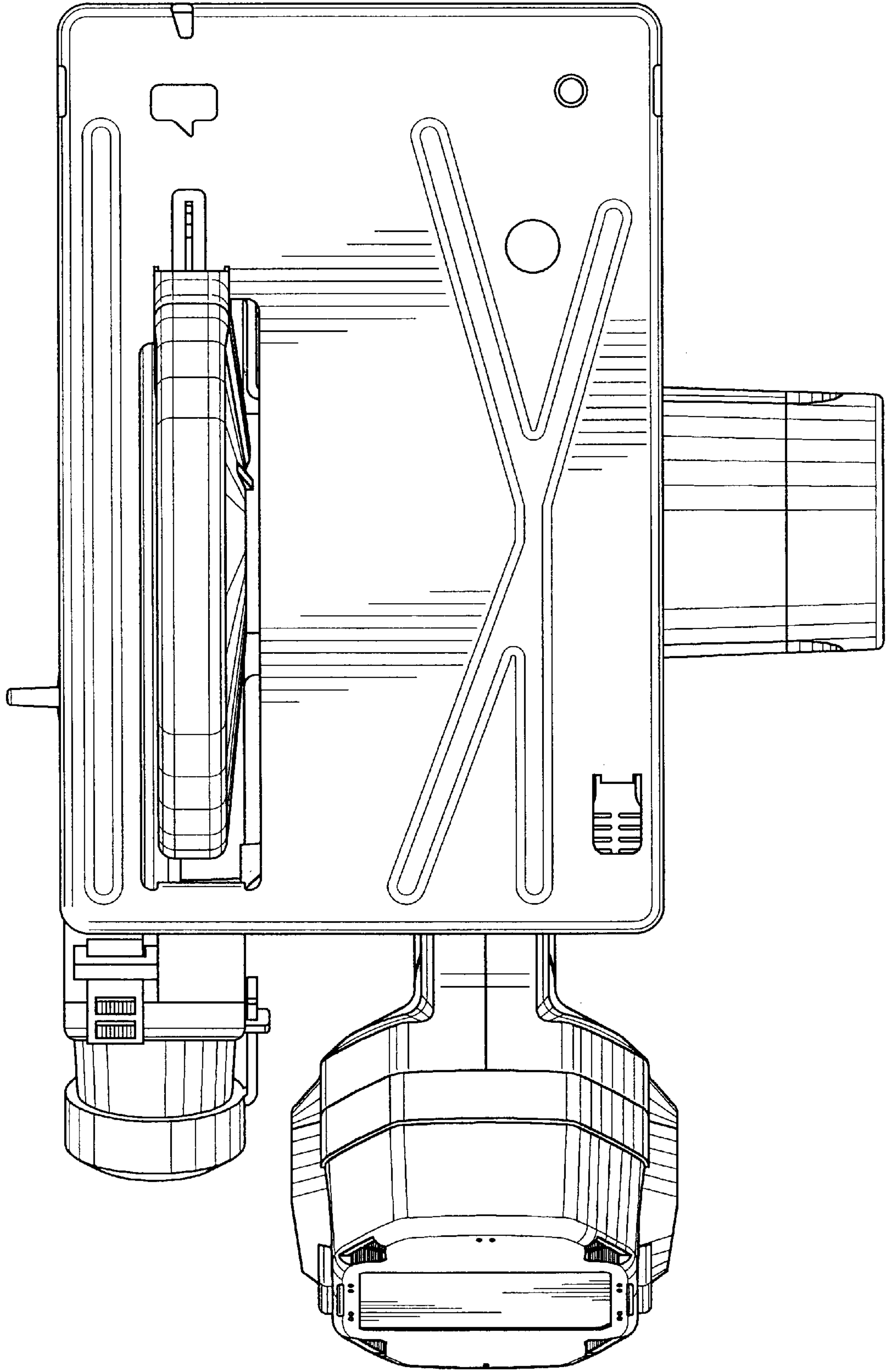


FIG. 7