



US00D427873S

United States Patent [19] Inoue

[11] **Patent Number: Des. 427,873**
[45] **Date of Patent: ** Jul. 11, 2000**

[54] **CIRCULAR SAW** 4,022,182 5/1977 Lenkevich 30/390 X
[75] Inventor: **Nobuhiro Inoue**, Anjo, Japan
[73] Assignee: **Makita Corporation**, Anjo, Japan
[**] Term: **14 Years**
[21] Appl. No.: **29/108,406**
[22] Filed: **Jul. 27, 1999**
[30] **Foreign Application Priority Data**
Jan. 27, 1999 [JP] Japan 11-1880
[51] **LOC (7) Cl.** **08-03**
[52] **U.S. Cl.** **D8/66**
[58] **Field of Search** D8/61, 64, 65,
D8/66, 67, 69, 70; 30/388, 389, 390, 391;
83/574, 663, 666, 863, 701, 523, 544, 545;
D21/532; 310/40 R, 50

FOREIGN PATENT DOCUMENTS

752570 1/1989 Japan .
752570-1 2/1995 Japan .

Primary Examiner—Martie K. Holtje
Attorney, Agent, or Firm—Dennison, Scheiner, Schultz & Wakeman

[57] CLAIM

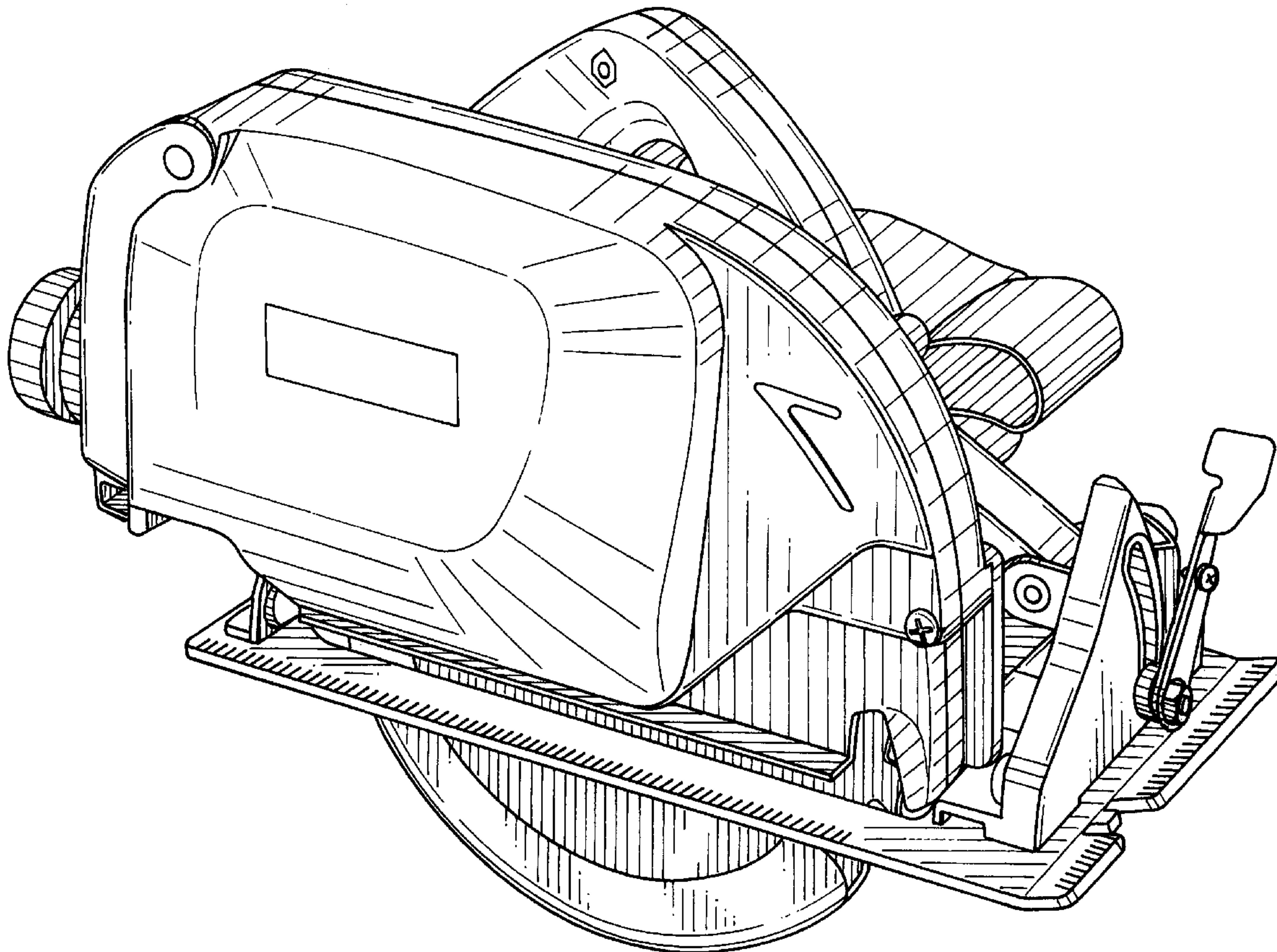
The ornamental design for a circular saw, as shown and described.

DESCRIPTION

FIG. 1 is a perspective view of a circular saw showing my new design;
FIG. 2 is a front elevation view thereof;
FIG. 3 is a rear elevation view thereof;
FIG. 4 is a left side elevation view thereof;
FIG. 5 is a right side elevation view thereof;
FIG. 6 is a top plan view thereof;
FIG. 7 is a bottom view thereof;
FIG. 8 is a perspective view of a circular saw showing a second embodiment of my new design wherein a portion of the saw cover is transparent; and,
FIG. 9 is a front elevation view of the circular saw shown in FIG. 8.

[56] **References Cited**
U.S. PATENT DOCUMENTS
D. 277,118 1/1985 Klawitter D21/532
D. 327,828 7/1992 Hoshino et al. D8/66
D. 348,193 6/1994 Sasaki et al. D8/66
D. 378,488 3/1997 Ito et al. D8/66
D. 400,772 11/1998 Gallagher et al. D8/66
D. 416,181 11/1999 Chung D8/66

1 Claim, 9 Drawing Sheets



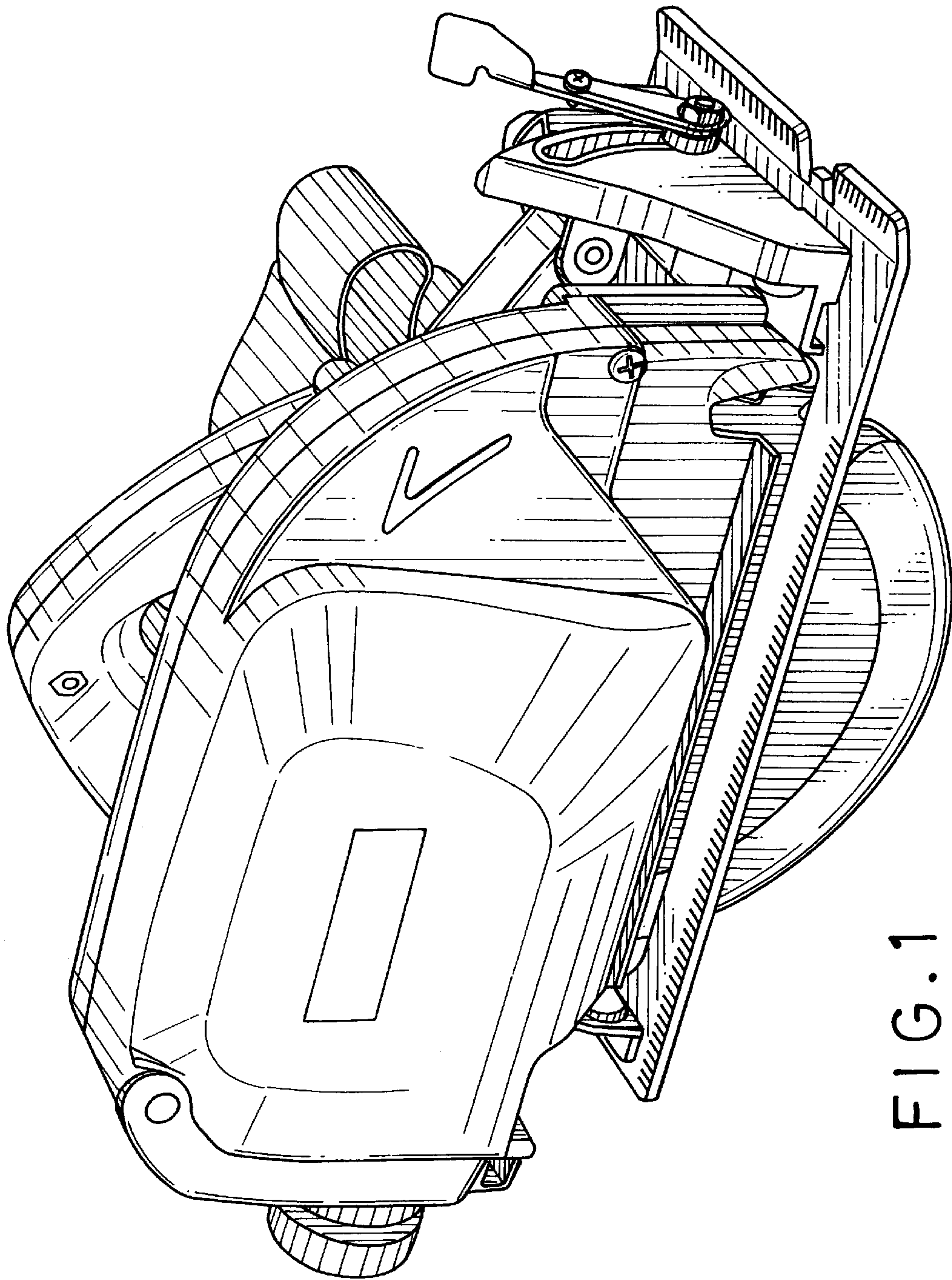


FIG. 1

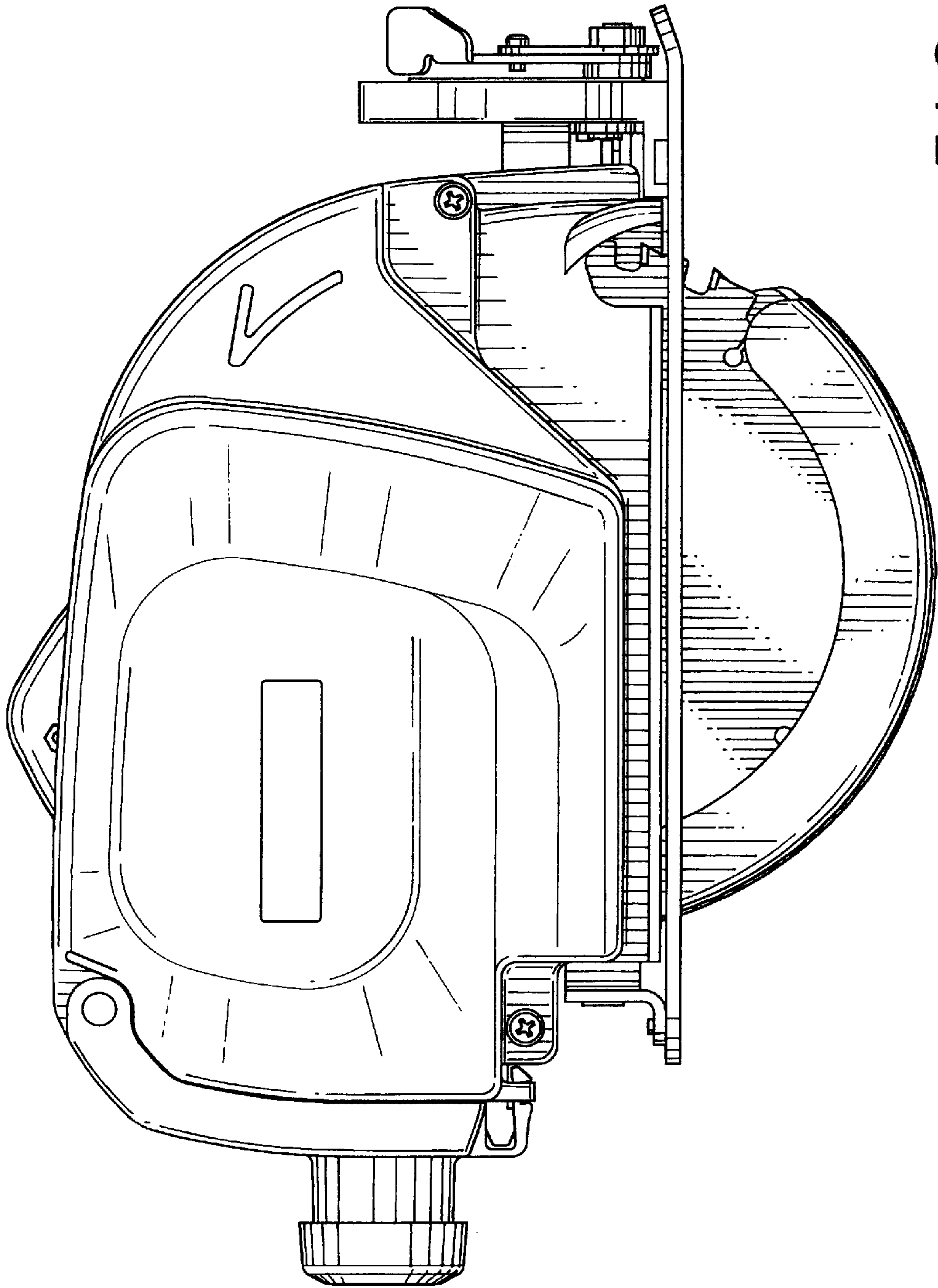


FIG. 2

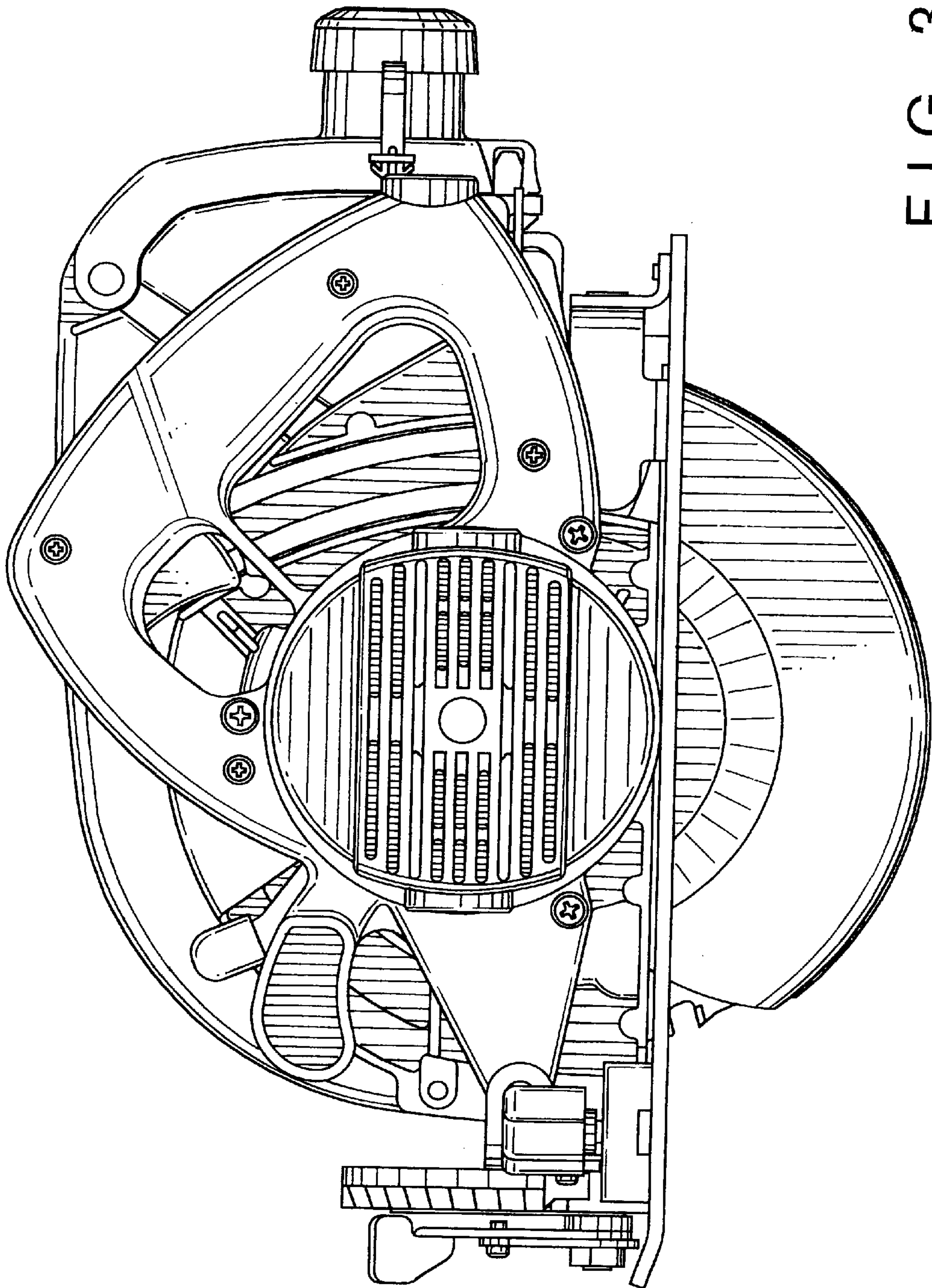


FIG. 3

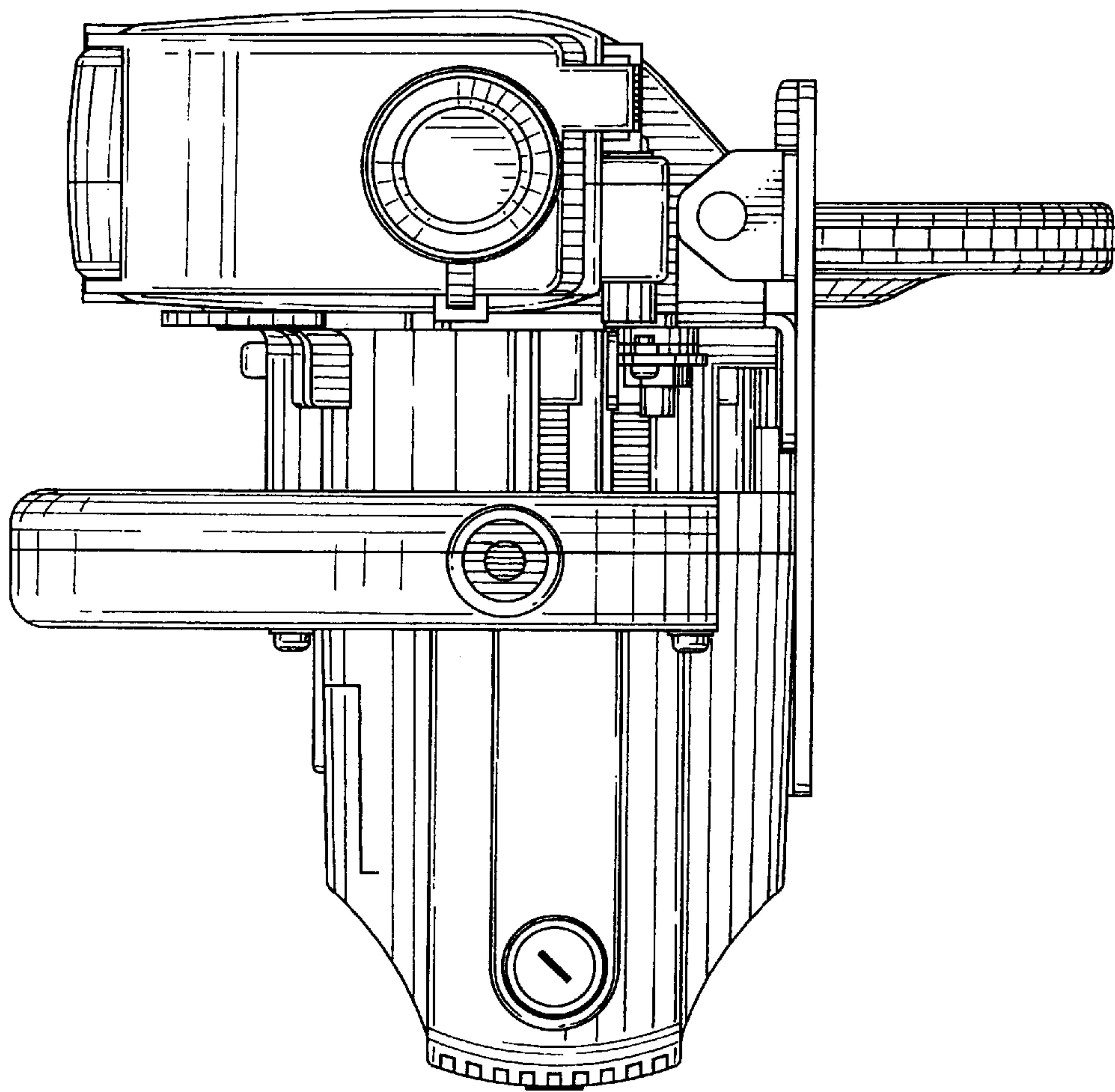


FIG. 4

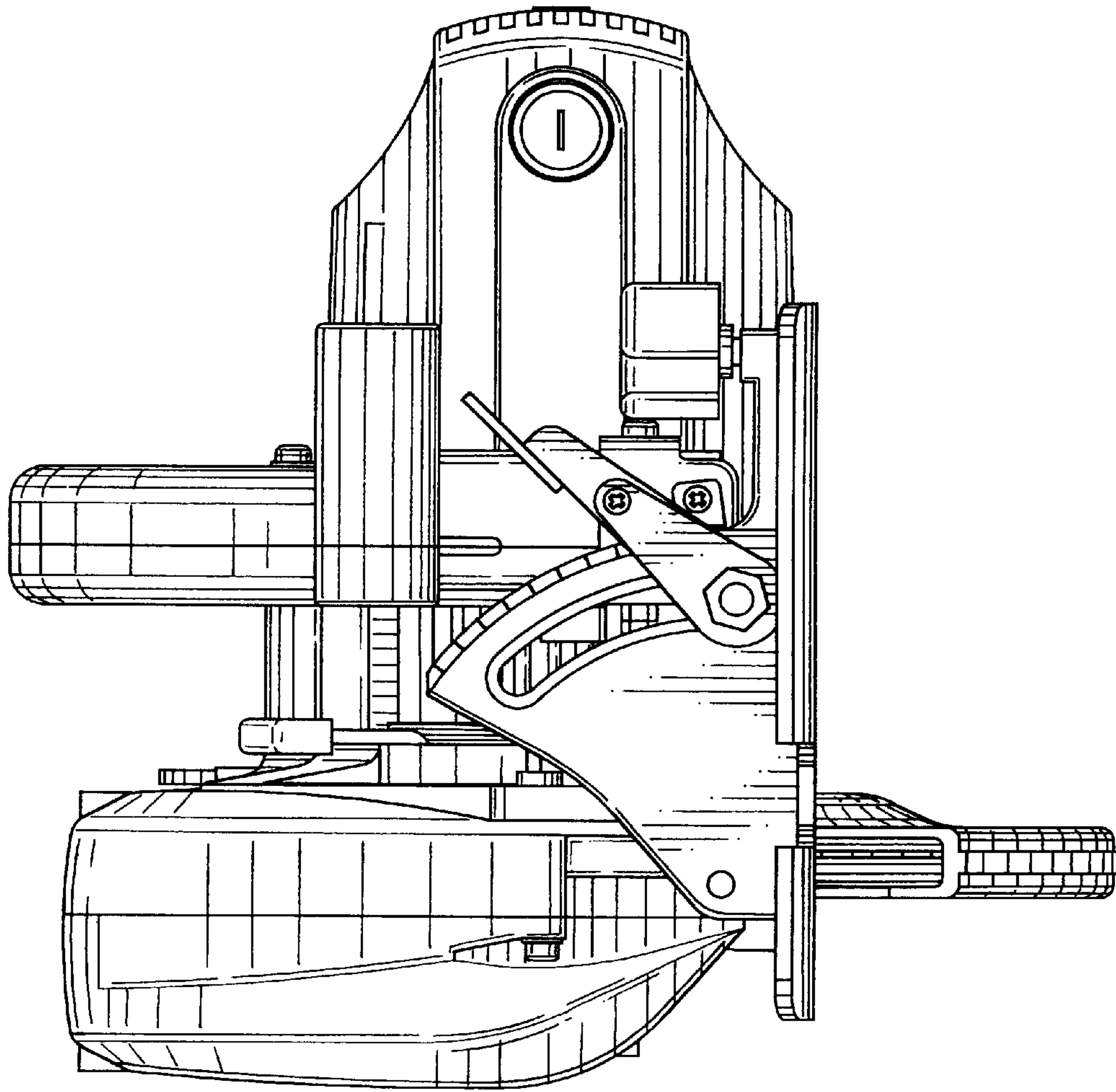


FIG. 5

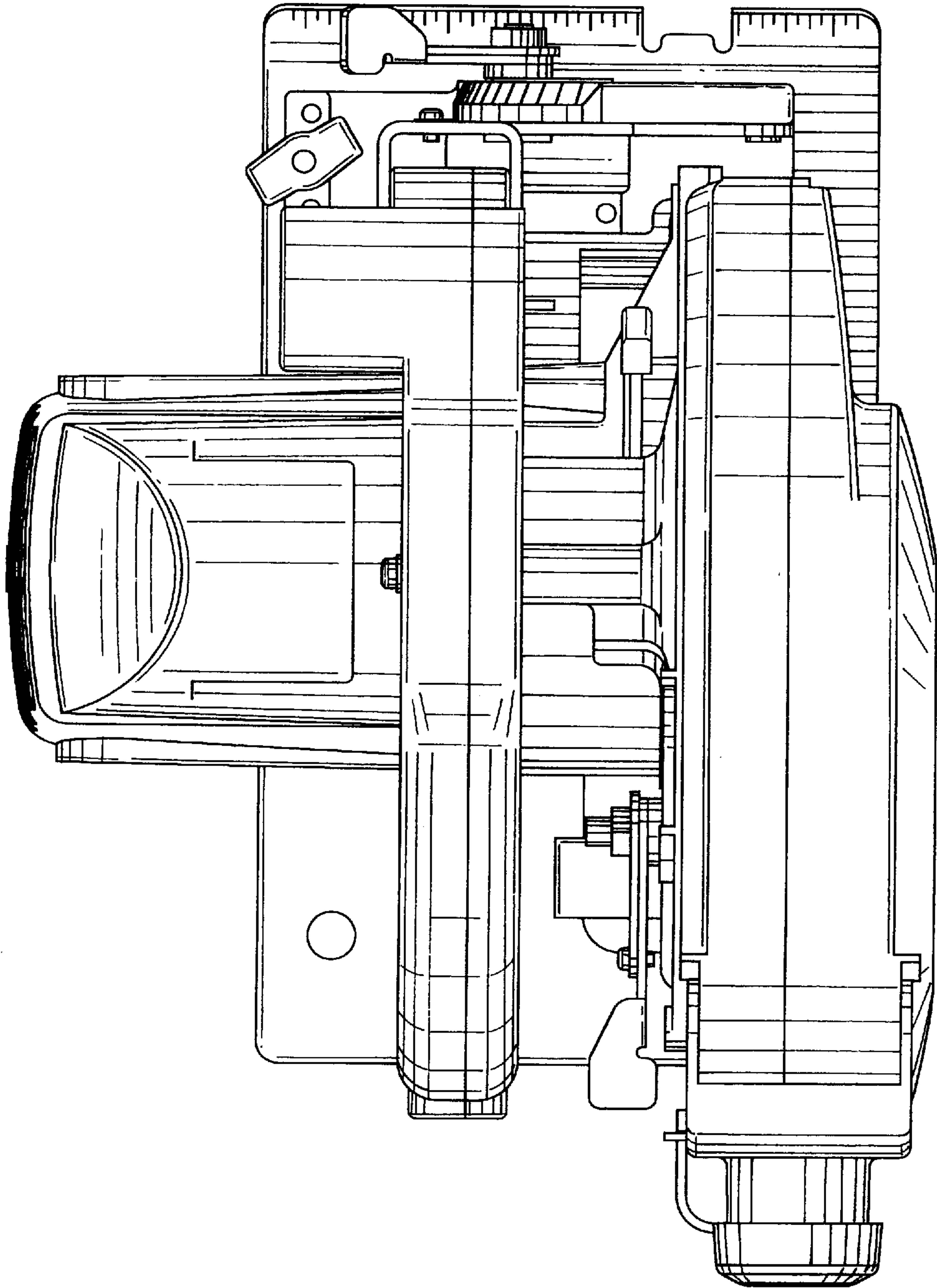


FIG. 6

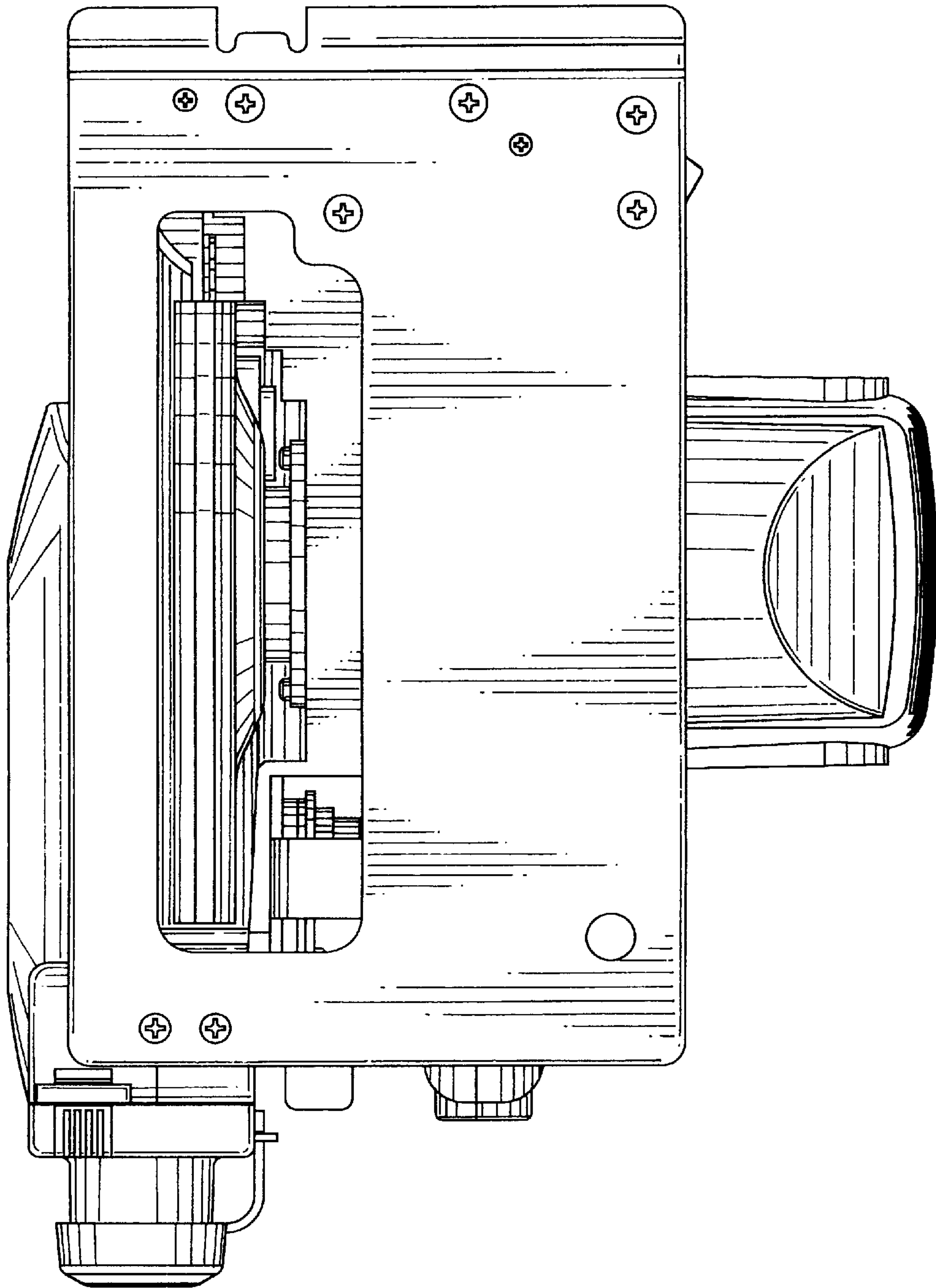


FIG. 7

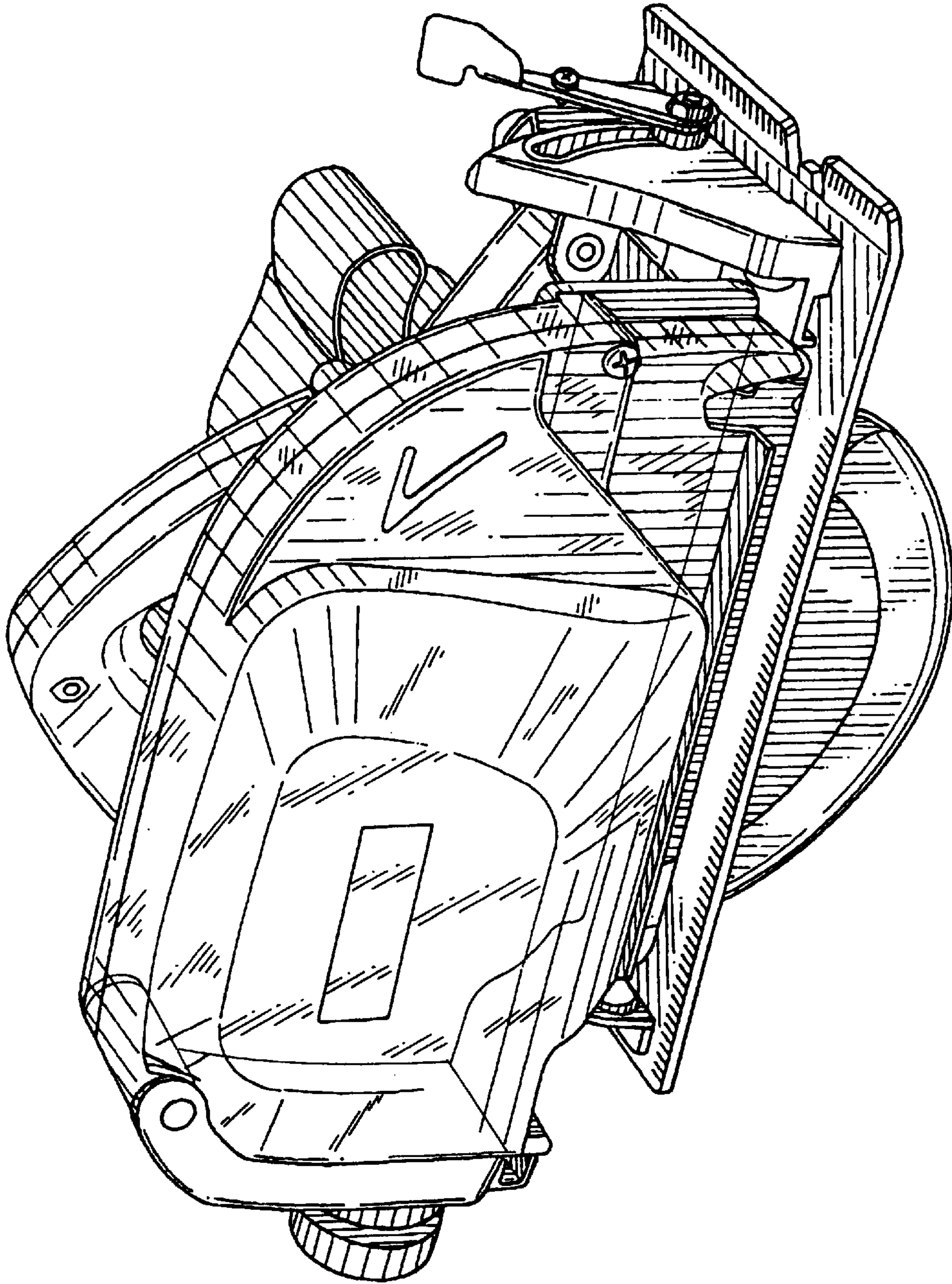


FIG. 8

FIG. 9

