



US00D427872S

United States Patent [19] Snider

[11] Patent Number: **Des. 427,872**

[45] Date of Patent: **** Jul. 11, 2000**

[54] **CIRCULAR SAW**

4,912,349 3/1990 Chang .
5,372,420 12/1994 Van Deursen et al. .

[75] Inventor: **Gregory Scott Snider**, Bel Air, Md.

FOREIGN PATENT DOCUMENTS

[73] Assignee: **Black & Decker Inc.**, Newark, Del.

M8908803 4/1991 Germany .
M9303322 10/1993 Germany .
M9400759 7/1994 Germany .
M9500734 9/1995 Germany .
M9606432 2/1997 Germany .
M9606436 3/1997 Germany .
M9609040 5/1997 Germany .

[**] Term: **14 Years**

[21] Appl. No.: **29/099,238**

[22] Filed: **Jan. 18, 1999**

[51] **LOC (7) Cl.** **08-03**

[52] **U.S. Cl.** **D8/66**

[58] **Field of Search** D8/61, 66-67,
D8/68-69; 30/377-378, 388-391, DIG. 1

Primary Examiner—Nelson C. Holtje
Attorney, Agent, or Firm—Bruce S. Shapiro; Dennis A. Dearing; John D. Del Ponti

[57] CLAIM

[56] References Cited

The ornamental design for a circular saw, as shown and described.

U.S. PATENT DOCUMENTS

DESCRIPTION

- D. 301,496 6/1989 Yonesawa et al. .
- D. 304,419 11/1989 Henck et al. .
- D. 305,975 2/1990 Emmerling .
- D. 332,735 1/1993 Fushiya et al. D8/66
- D. 335,433 5/1993 Schultz et al. D8/66
- D. 344,439 2/1994 Izumisawa .
- D. 363,656 10/1995 Gierke D8/66
- D. 375,439 11/1996 Niwa et al. D8/66
- D. 380,658 7/1997 Bruno et al. .
- D. 390,081 2/1998 Price et al. .
- D. 391,820 3/1998 Bunyea .
- D. 401,827 12/1998 Lui D8/66
- 4,522,270 6/1985 Kishi .

FIG. 1 is a perspective view of a circular saw showing my new design.

FIG. 2 is a right side elevational view thereof.

FIG. 3 is a left side elevational view thereof.

FIG. 4 is a front elevational view thereof.

FIG. 5 is a rear elevational view thereof.

FIG. 6 is a top plan view thereof; and,

FIG. 7 is a bottom plan view thereof.

1 Claim, 7 Drawing Sheets

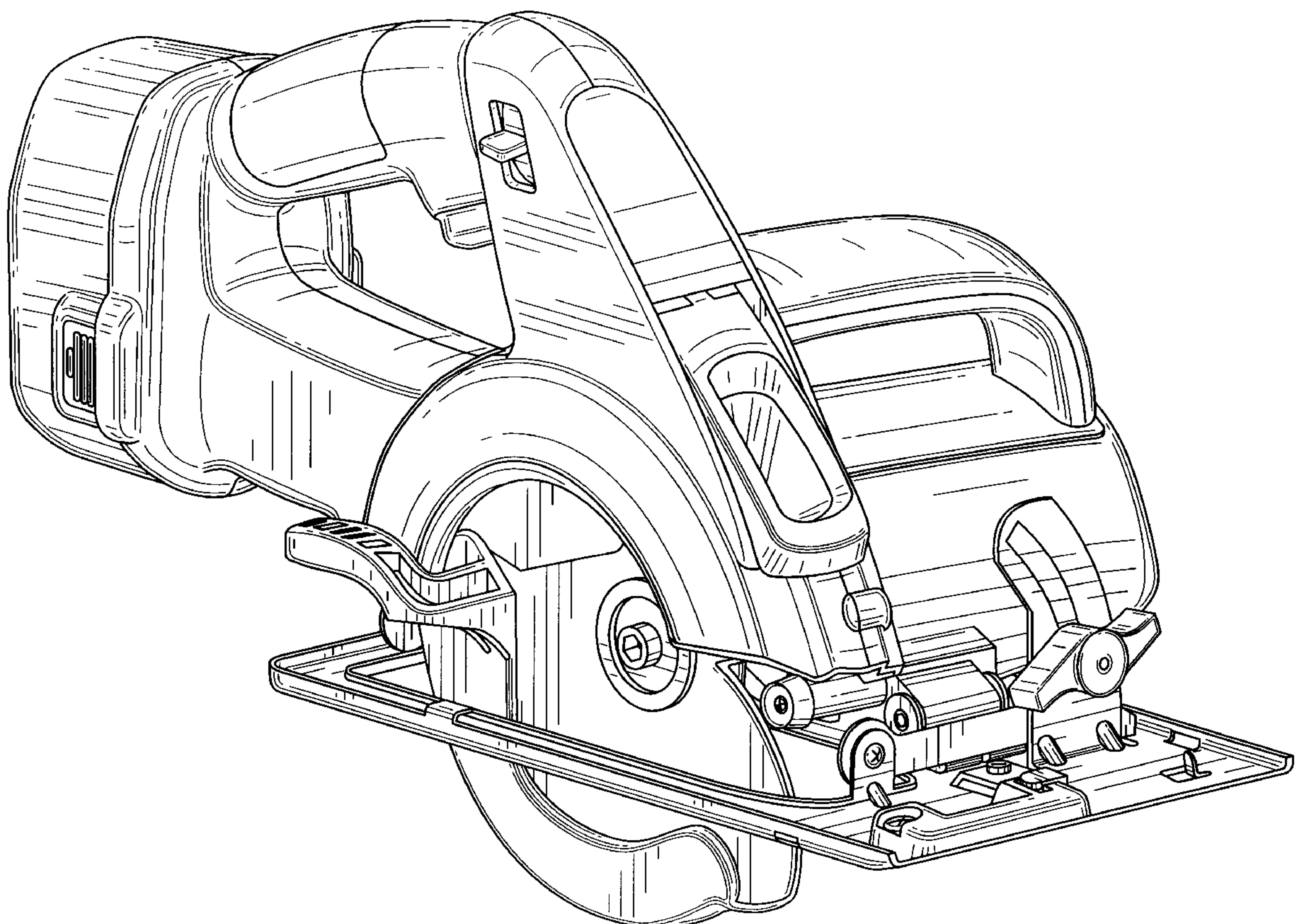


FIG. 1

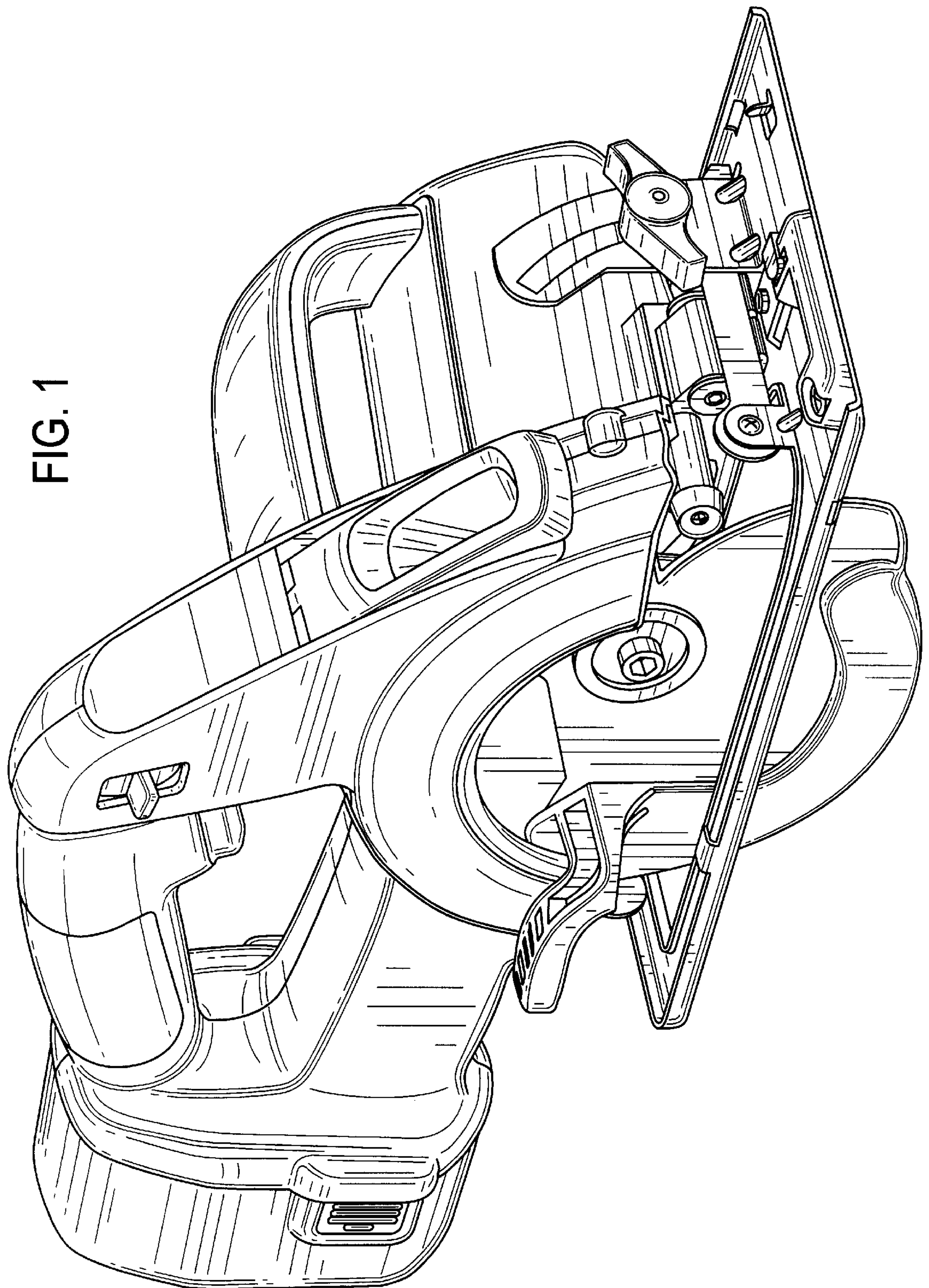


FIG. 2

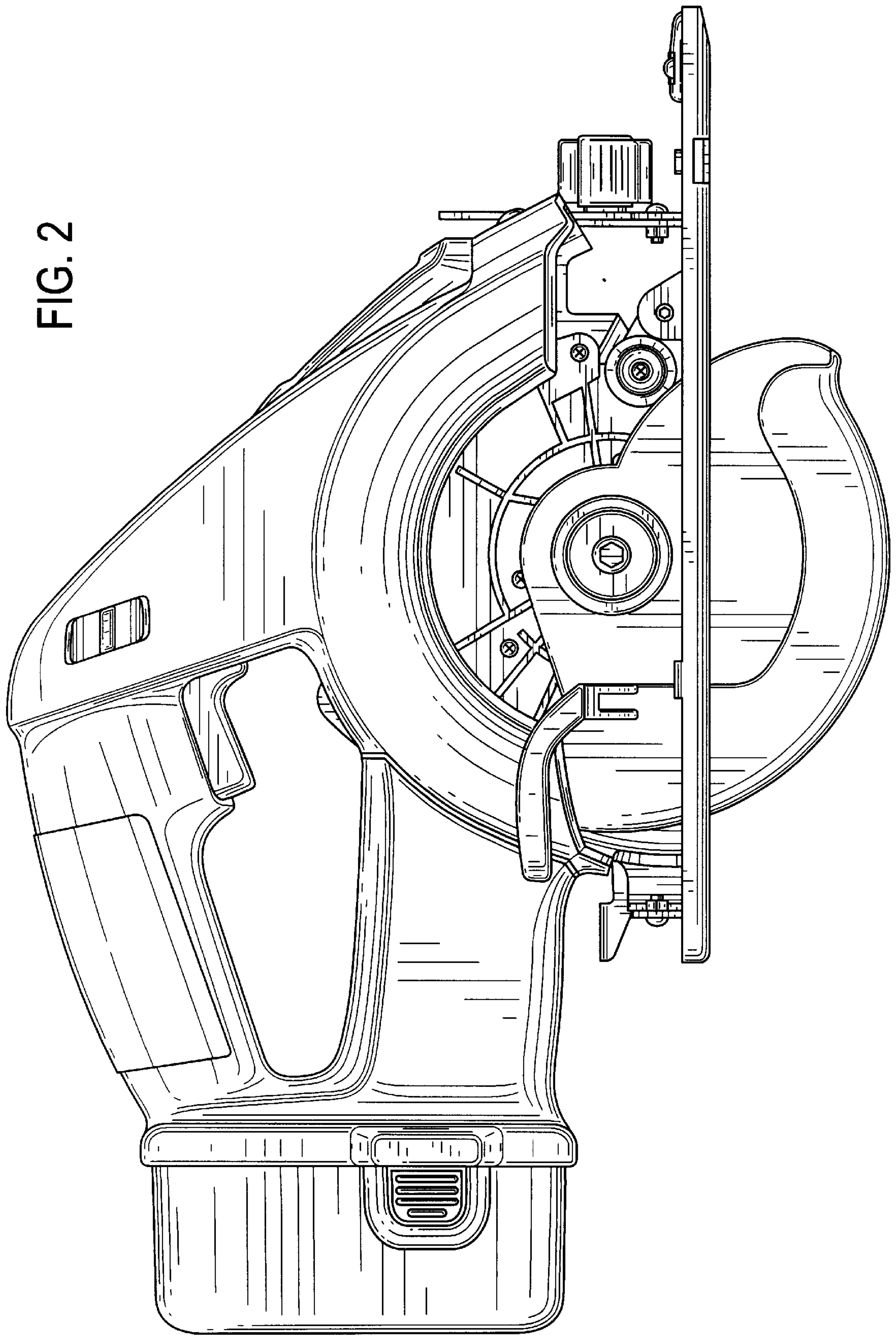


FIG. 3

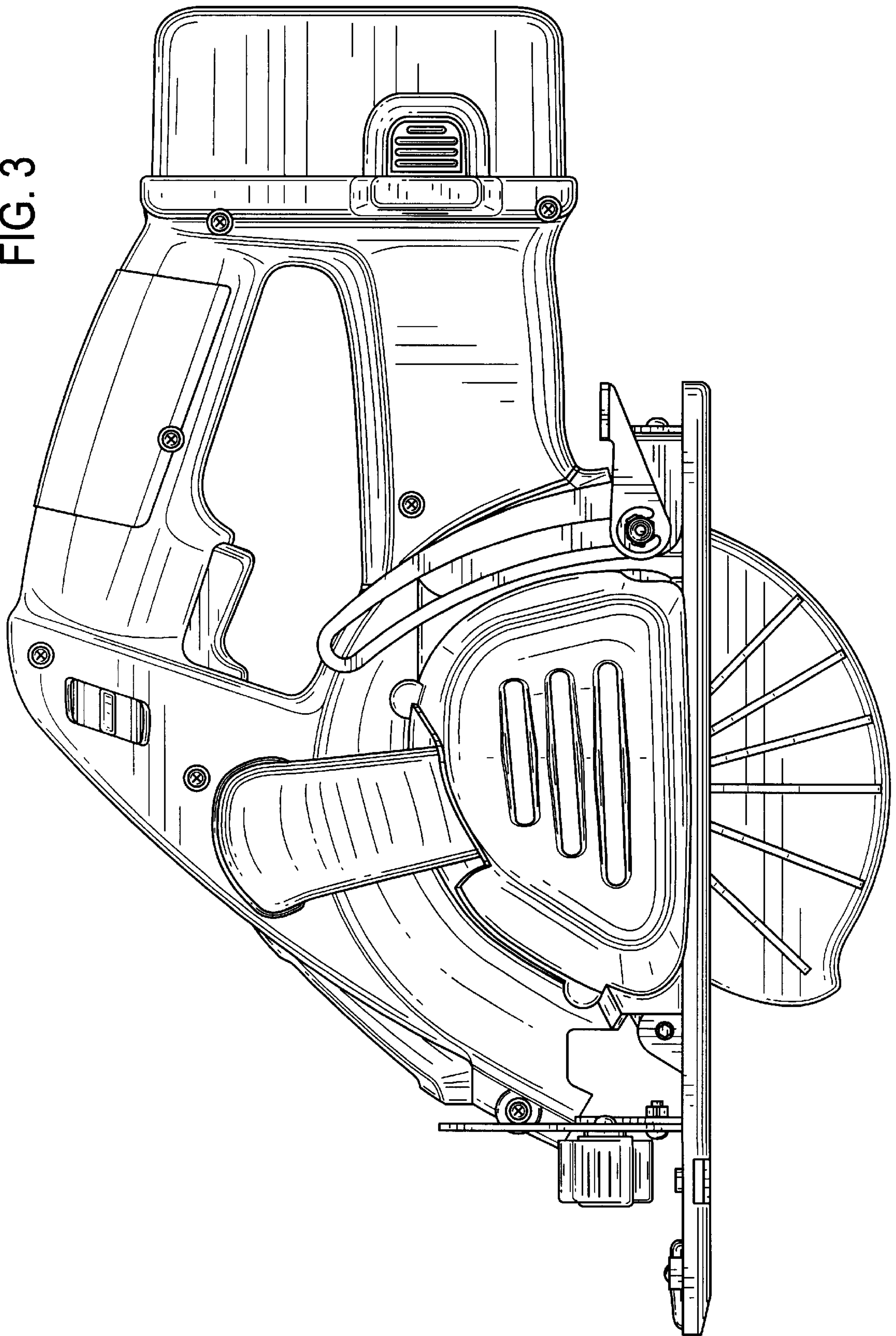
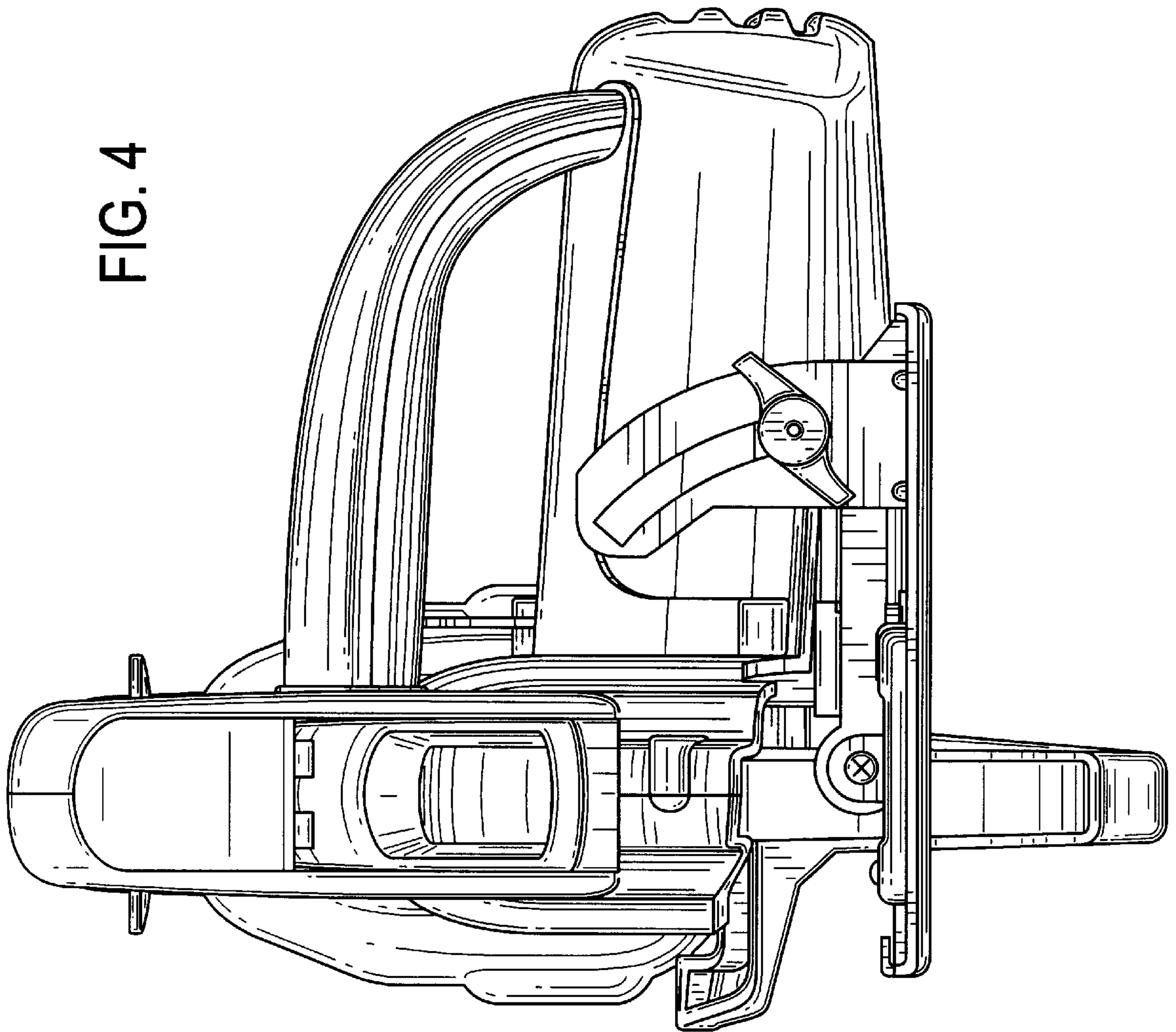


FIG. 4



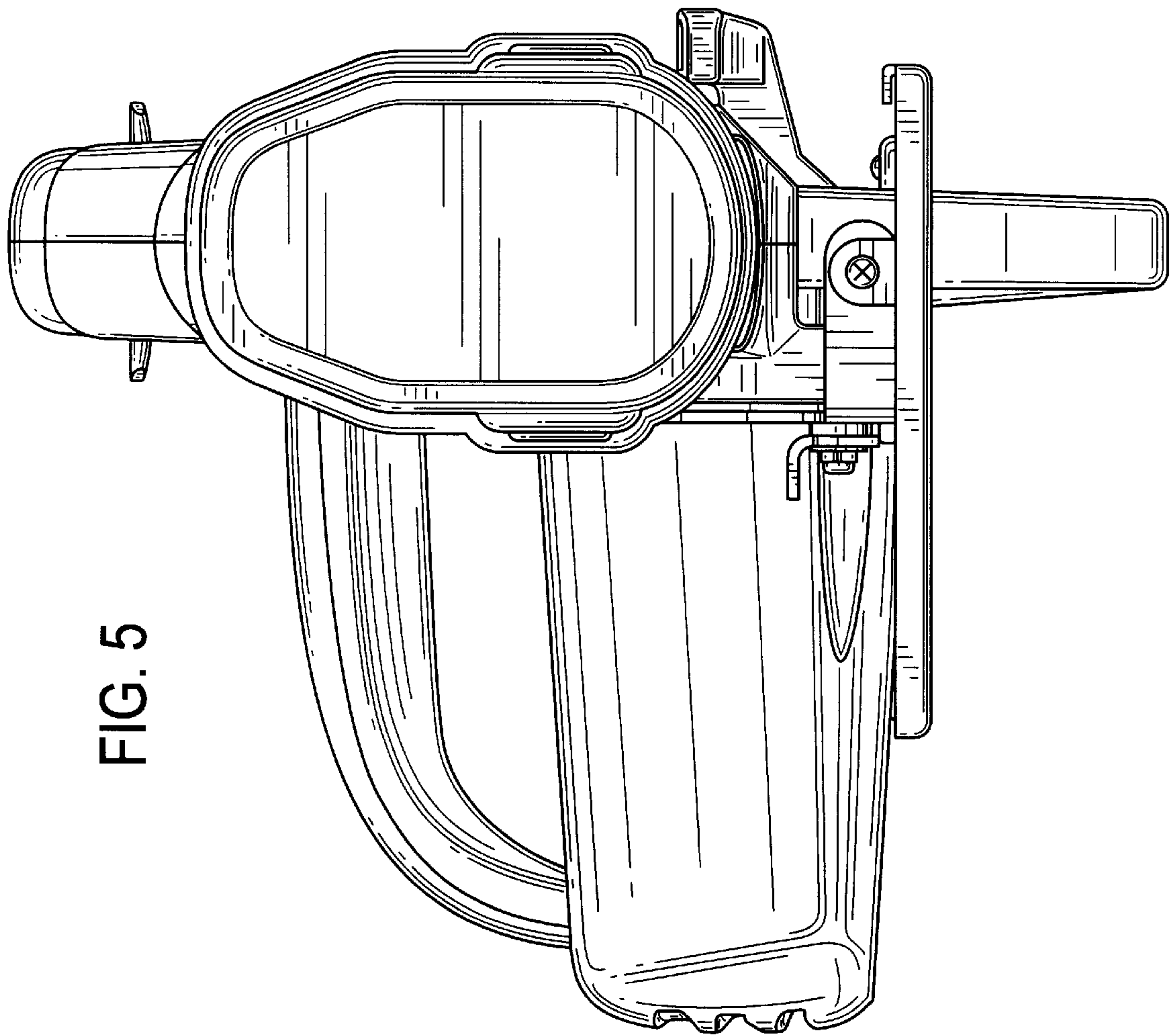


FIG. 5

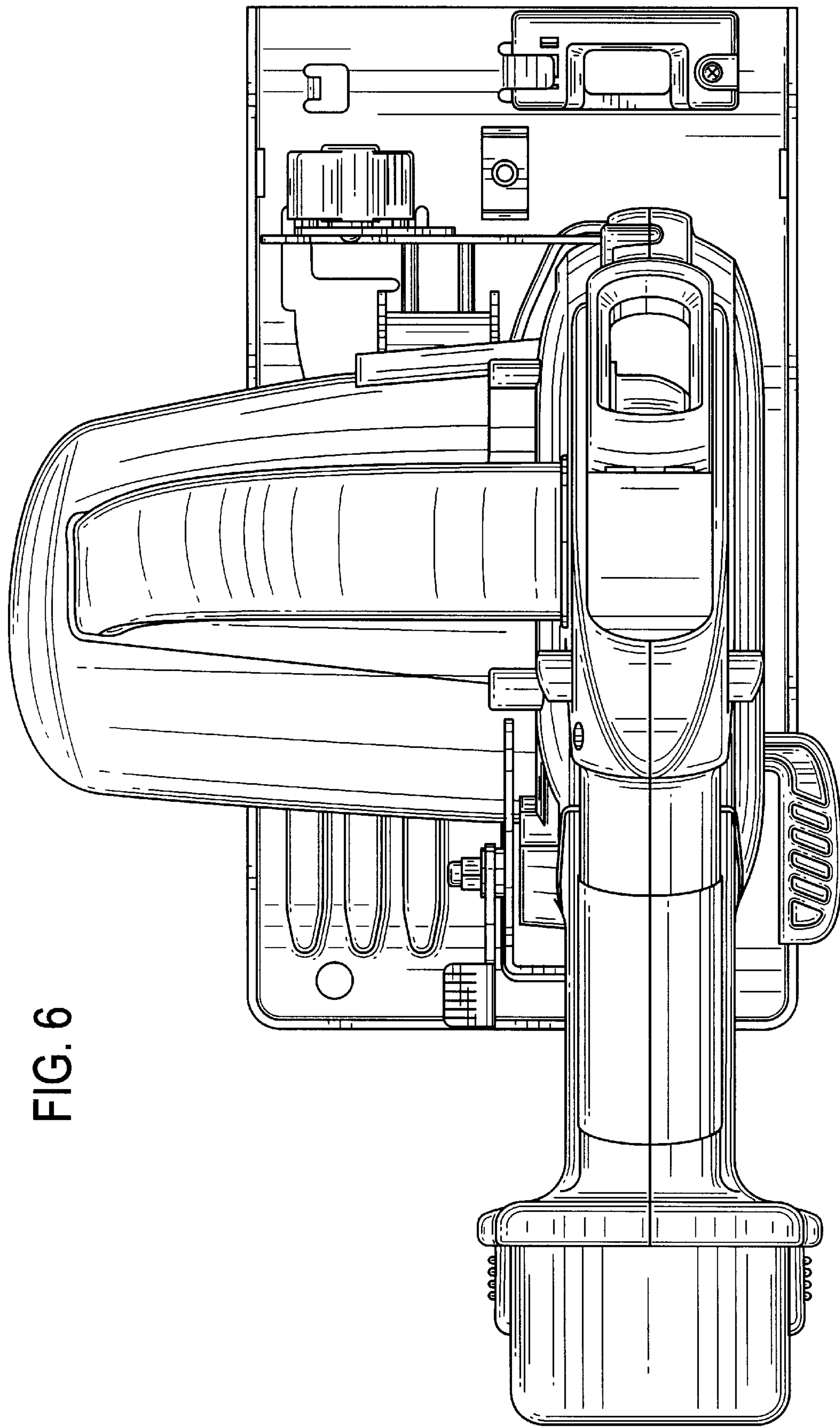


FIG. 6

