



US00D427871S

# United States Patent [19]

[11] **Patent Number: Des. 427,871**

**Price**

[45] **Date of Patent: \*\* Jul. 11, 2000**

[54] **DUAL ACTION SANDER**

[75] Inventor: **Scott D. Price**, Lebanon, N.J.

[73] Assignee: **Ingersoll-Rand Company**, Woodcliff Lake, N.J.

[\*\*] Term: **14 Years**

[21] Appl. No.: **29/107,163**

[22] Filed: **Jun. 29, 1999**

[51] **LOC (7) Cl.** ..... **08-01**

[52] **U.S. Cl.** ..... **D8/62; D8/70; D8/107; D8/DIG. 7**

[58] **Field of Search** ..... **D8/61, 62, 68, D8/70, 107, DIG. 7, 303, 307; 451/48, 103, 108, 109, 111, 119, 162, 177, 259, 270, 344, 351-353, 357-359**

[56] **References Cited**

**U.S. PATENT DOCUMENTS**

D. 256,881	9/1980	Hutchins	.....	D8/62
D. 260,847	9/1981	Biederman	.....	D8/62
D. 324,800	3/1992	Butzen et al.	.....	D8/62
D. 332,559	1/1993	Miyoshi et al.	.....	D8/62
D. 341,761	11/1993	Weimann	.....	D8/97
D. 344,878	3/1994	Izumisawa	.....	D8/64
D. 353,310	12/1994	Izumisawa	.....	D8/62
D. 353,311	12/1994	Izumisawa	.....	D8/62
D. 357,163	4/1995	Izumisawa	.....	D8/62
D. 377,892	2/1997	Sung	.....	D8/62
D. 381,248	7/1997	Sung	.....	D8/62
D. 381,570	7/1997	Sung	.....	D8/62
D. 385,765	11/1997	Sung	.....	D8/62
D. 394,592	5/1998	Brunsdon et al.	.....	D8/107 X
3,287,859	11/1966	Leveque	.....	51/120
3,496,680	2/1970	Hutchins	.....	451/344
3,546,822	12/1970	Hutchins	.....	51/170
3,857,206	12/1974	Heffran, Jr.	.....	51/170

4,102,083	7/1978	Stern	.....	51/170
4,622,782	11/1986	Roestenberg	.....	51/273
4,686,797	8/1987	Hoffman	.....	51/170
4,879,847	11/1989	Butzen et al.	.....	51/170

**OTHER PUBLICATIONS**

ASH Mail order Catalog No. 32, p. 525-V, ©1981.  
Campbell Industrial Supply Co. General Catalog, p. 411, 1982.

Automotive Power Tools, Ingersoll-Rand Catalog, 1992, p. 34.

Automotive Air Tools, Chicago Pneumatic Catalog, Mar. 1990, p. 36.

*Primary Examiner*—Martie K. Holtje  
*Attorney, Agent, or Firm*—Leon Nigohosian, Jr.

[57] **CLAIM**

The ornamental design of a dual action sander, as shown and described.

**DESCRIPTION**

FIG. 1 is a top plan view of a dual action sander according to the present invention;

FIG. 2 is a left side elevation view of a dual action sander according to the present invention;

FIG. 3 is a right side elevation view of a dual action sander according to the present invention;

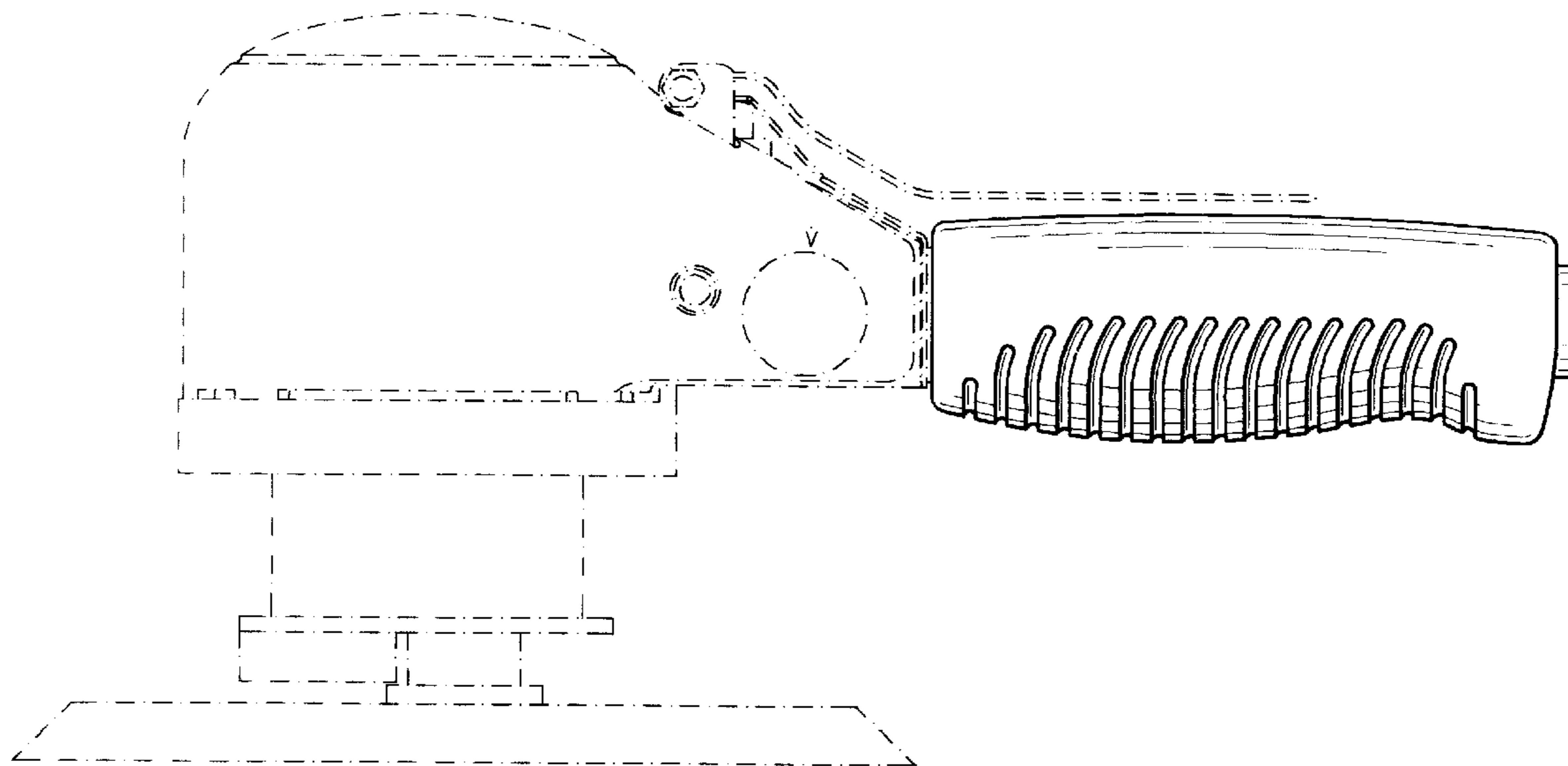
FIG. 4 is a bottom view of a dual action sander according to the present invention;

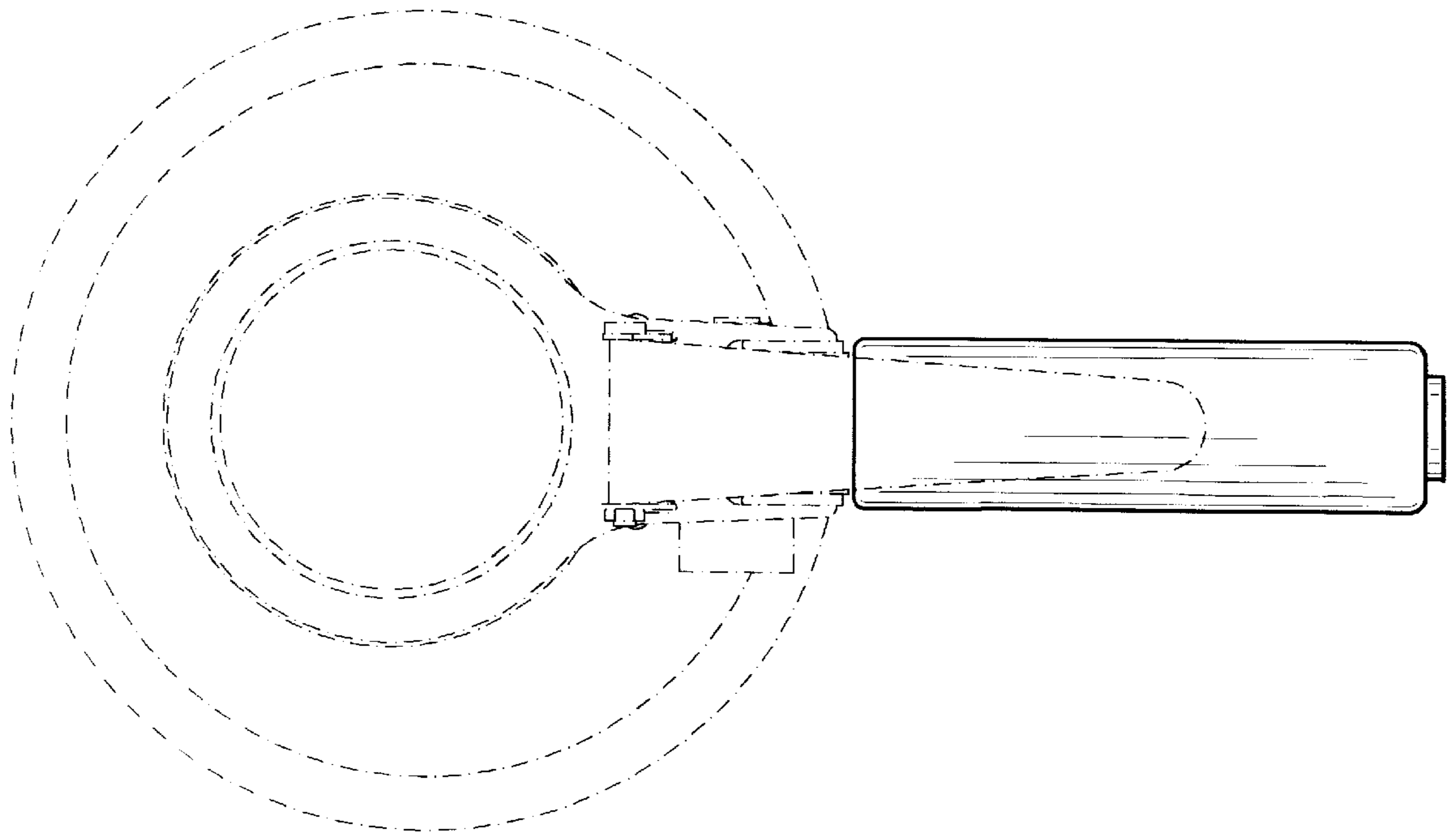
FIG. 5 is a front elevation view of a dual action sander according to the present invention; and,

FIG. 6 is a rear elevation view of a dual action sander according to the present invention.

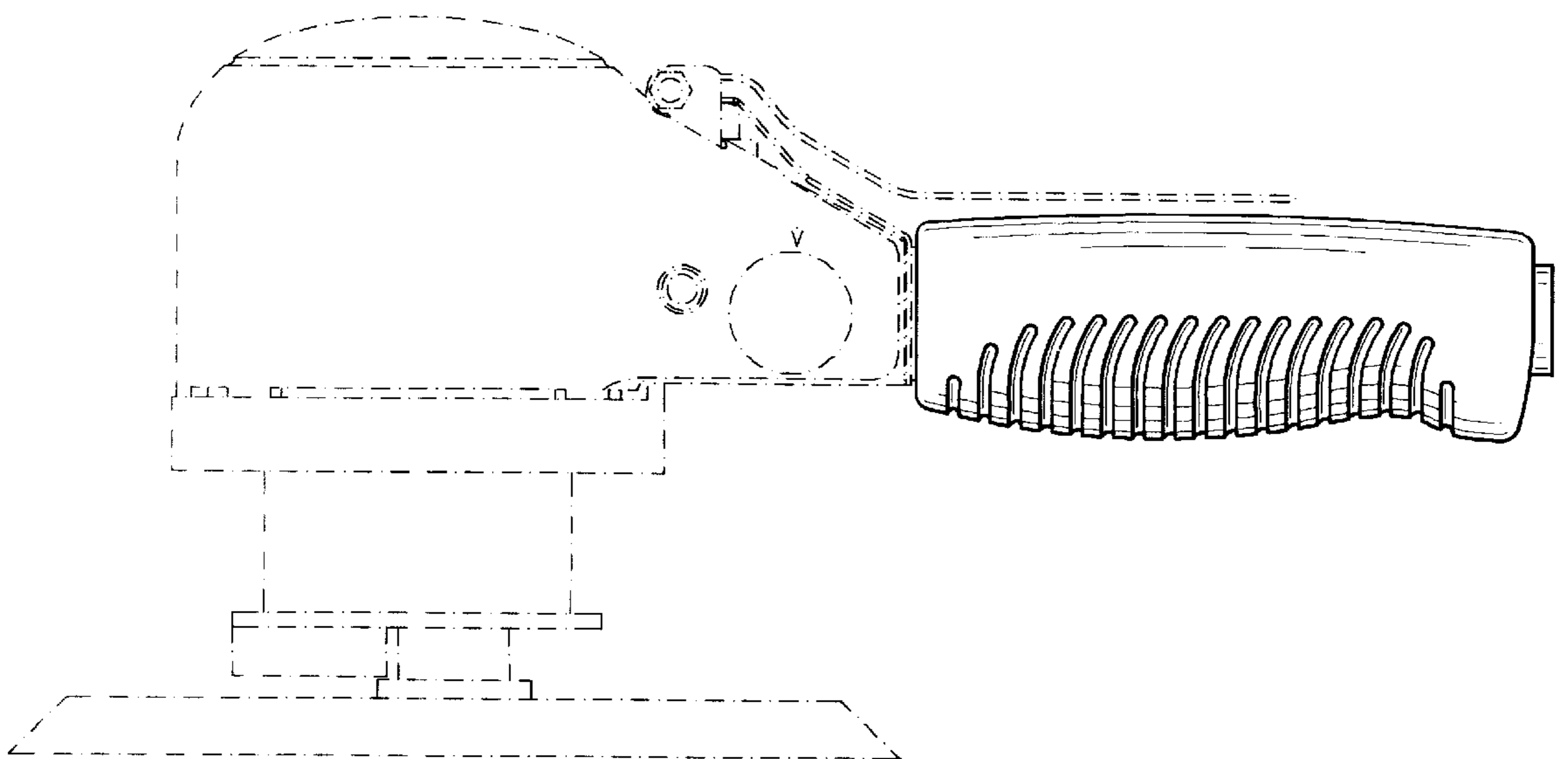
The structural features depicted by means of broken lines in the drawing figures have been shown for illustrative purposes only and form no part of the claimed design.

**1 Claim, 3 Drawing Sheets**

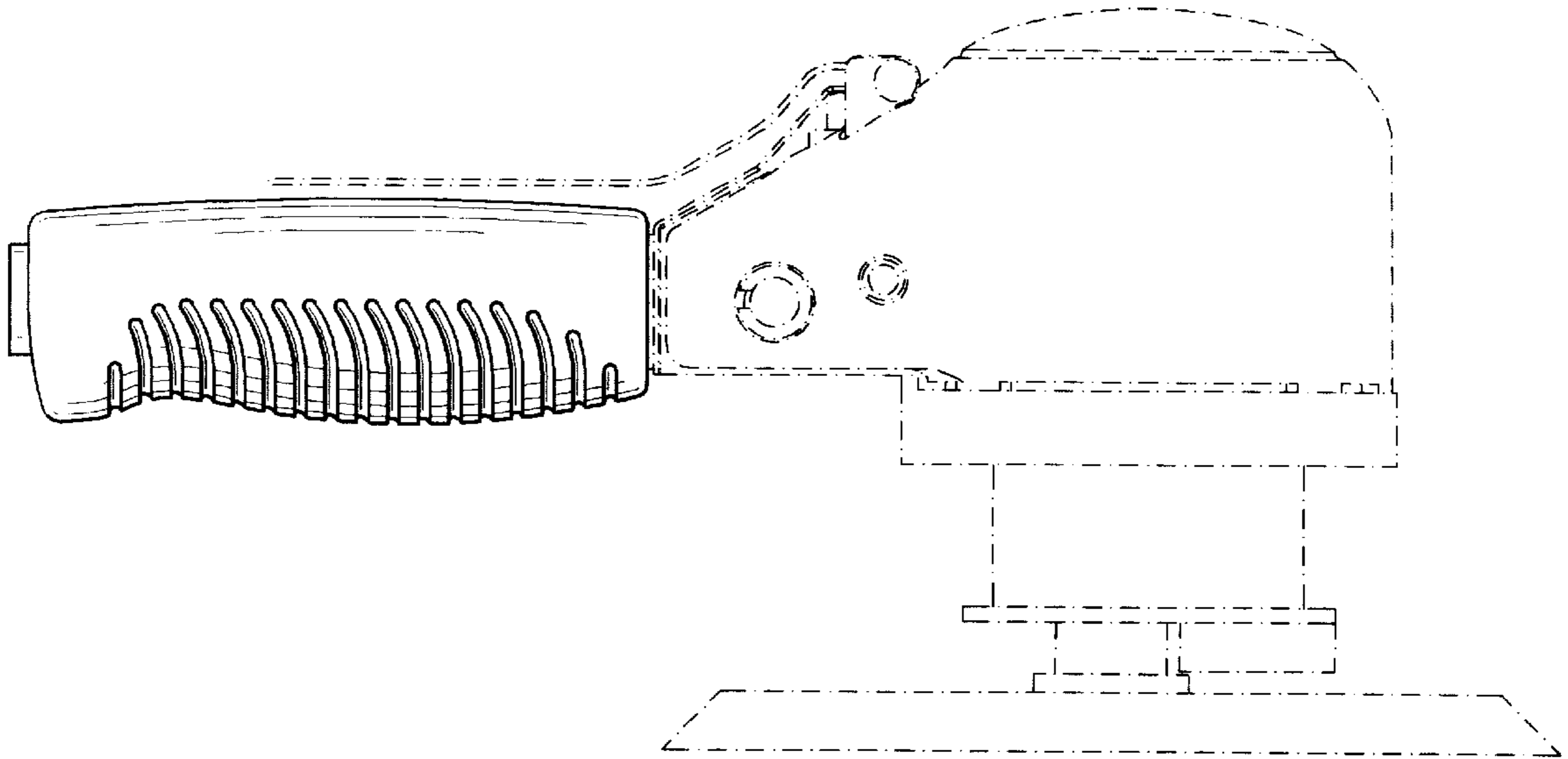




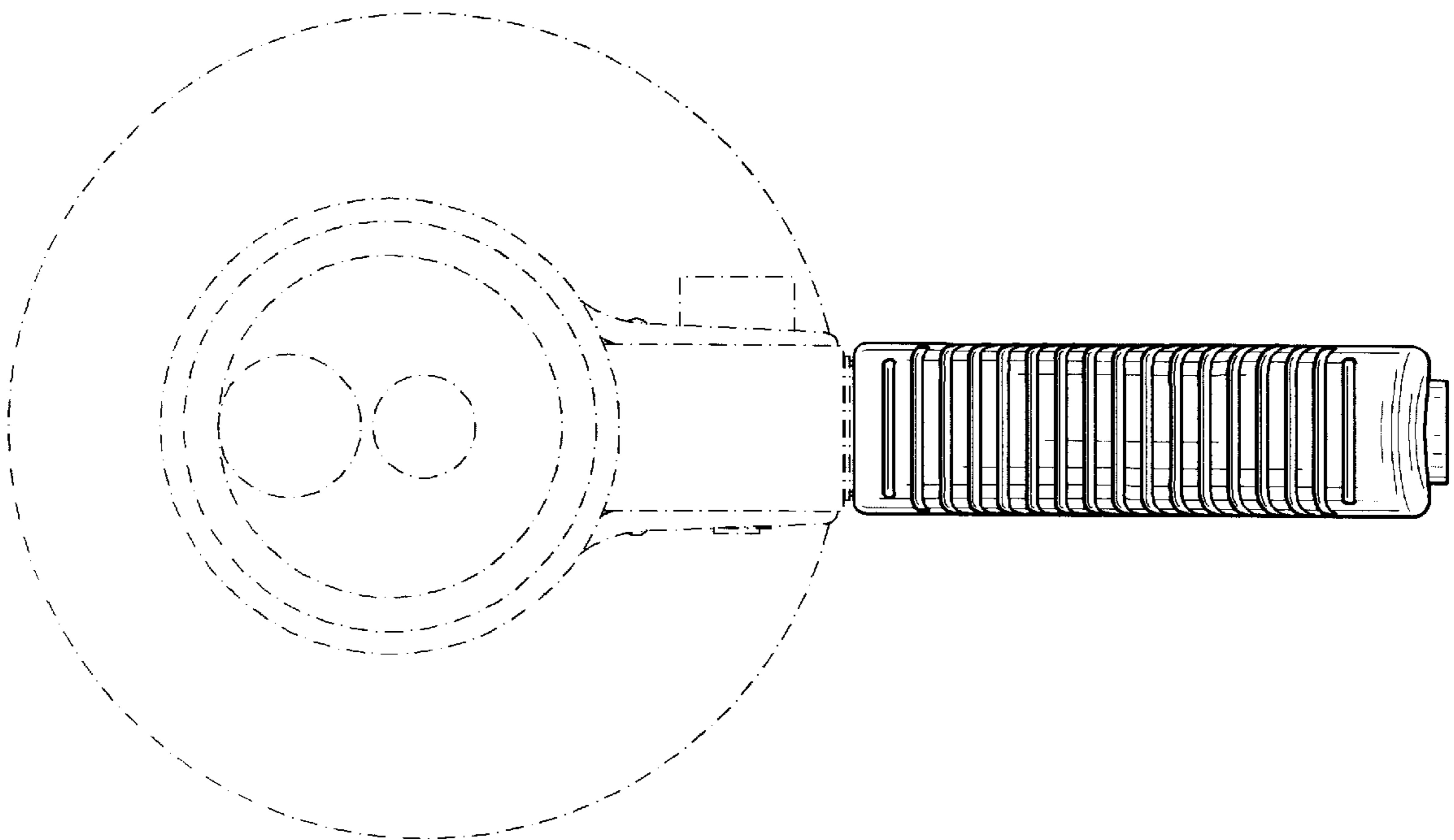
**FIG. 1**



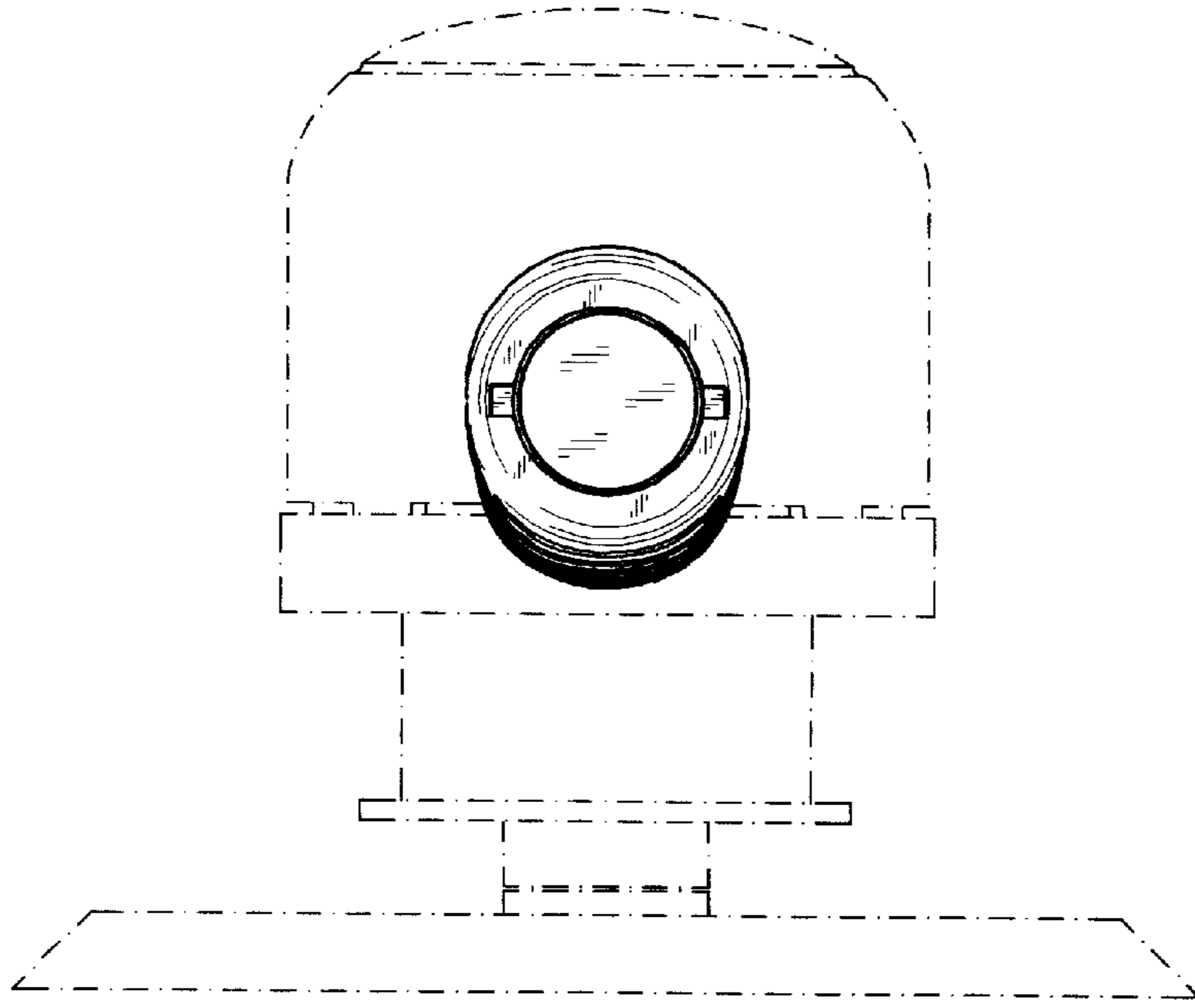
**FIG. 2**



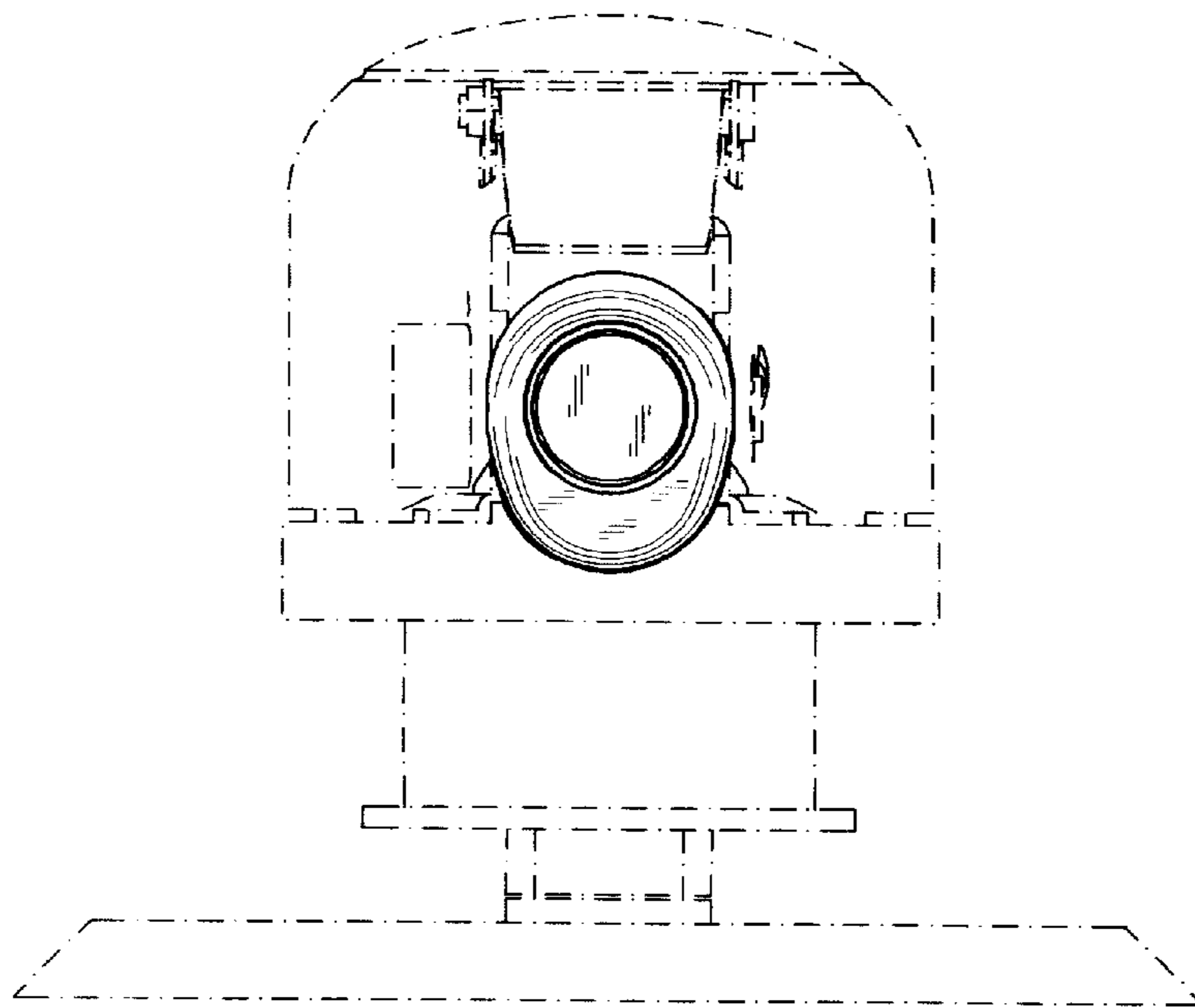
**FIG. 3**



**FIG. 4**



**FIG. 5**



**FIG. 6**