



US00D427870S

United States Patent [19] Heun

[11] **Patent Number: Des. 427,870**
[45] **Date of Patent: ** Jul. 11, 2000**

[54] **ELECTRIC ROTARY TOOL**

[75] Inventor: **Ping Hay Heun**, Aberdeen, The Hong Kong Special Administrative Region of the People's Republic of China

[73] Assignee: **Choon Nang Electrical Appliance MFY., Ltd.**, Aberdeen, The Hong Kong Special Administrative Region of the People's Republic of China

[**] Term: **14 Years**

[21] Appl. No.: **29/109,824**

[22] Filed: **Aug. 25, 1999**

[30] **Foreign Application Priority Data**

May 14, 1999 [GB] United Kingdom 2083447

[51] **LOC (7) Cl.** **08-05**

[52] **U.S. Cl.** **D8/61**

[58] **Field of Search** D8/61, 62, 70, D8/82, 83, 86, 107, DIG. 7; 81/54, 55, 57, 57.11, 57.14, 177.1, 177.85, 409, 436, 900, 439, 901; 173/170, 13, 19, 29, 171, 213, 217; 451/344, 354, 357-359, 458; 310/40 R, 50

[56] **References Cited**

U.S. PATENT DOCUMENTS

D. 304,543	11/1989	Somers et al.	D8/61
D. 310,160	8/1990	Patel	D8/61
D. 310,470	9/1990	Tohdoh	D8/62
D. 343,560	1/1994	McCambridge	D8/61
D. 410,829	6/1999	Heun	D8/61
2,532,823	12/1950	Schumann	310/50
3,873,863	3/1975	Pew	310/50
5,170,851	12/1992	Kress et al.	173/29

Primary Examiner—Martie K. Holtje
Attorney, Agent, or Firm—Leydig, Voit & Mayer

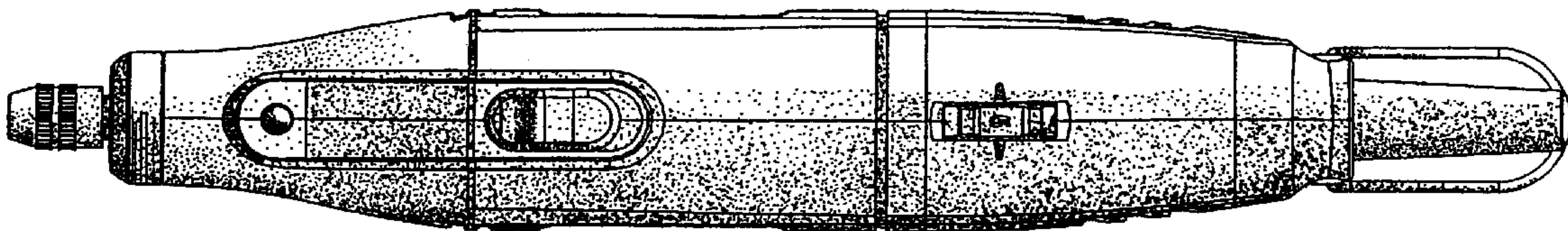
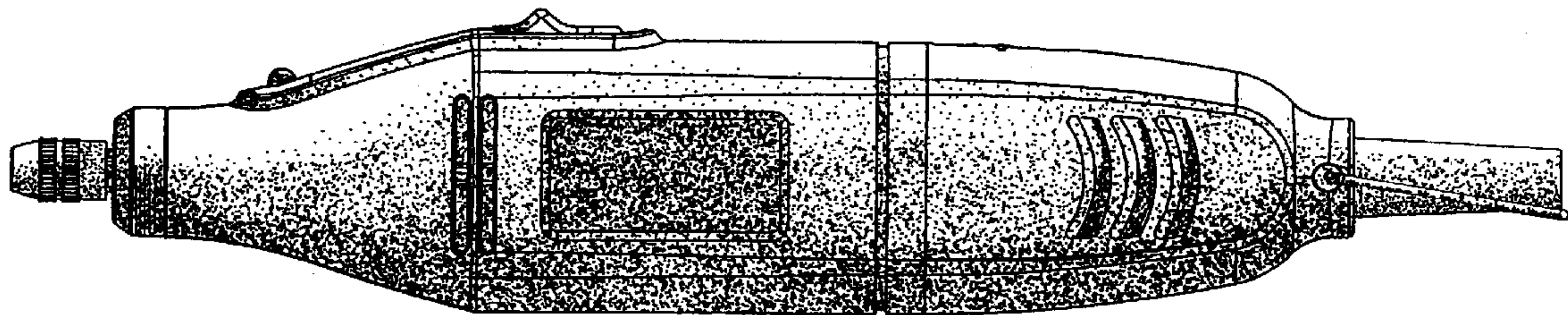
[57] **CLAIM**

The ornamental design for an electric rotary tool, as shown and described.

DESCRIPTION

FIG. 1 is a left side elevational view of an electric rotary tool showing my new design;
FIG. 2 is a top plan view thereof;
FIG. 3 is a right side elevational view thereof;
FIG. 4 is a bottom plan view thereof;
FIG. 5 is a front end elevational view thereof; and,
FIG. 6 is a rear elevational view thereof.

1 Claim, 3 Drawing Sheets



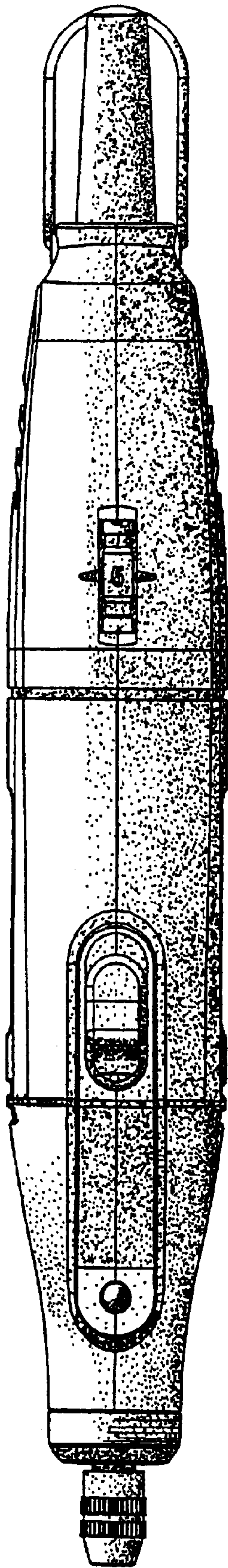


FIG. 2

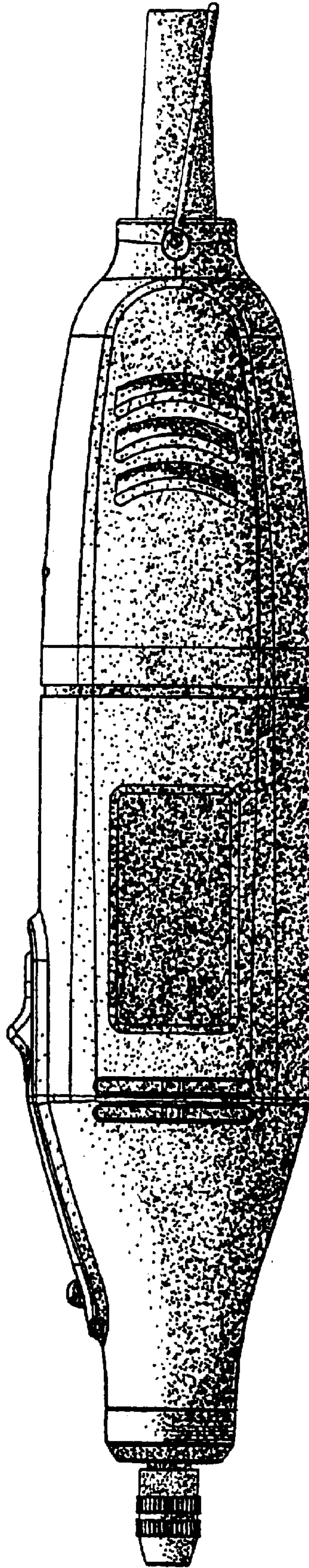


FIG. 1

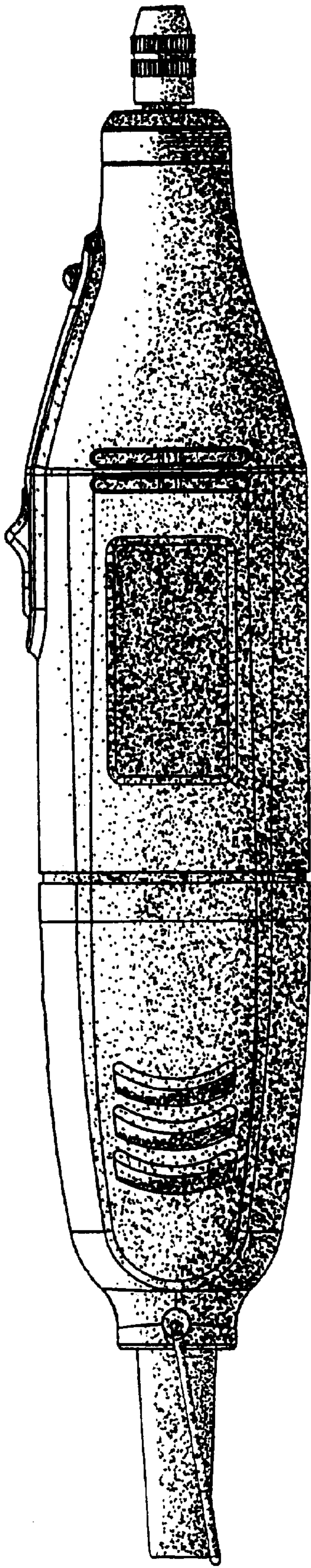


FIG. 3



FIG. 4

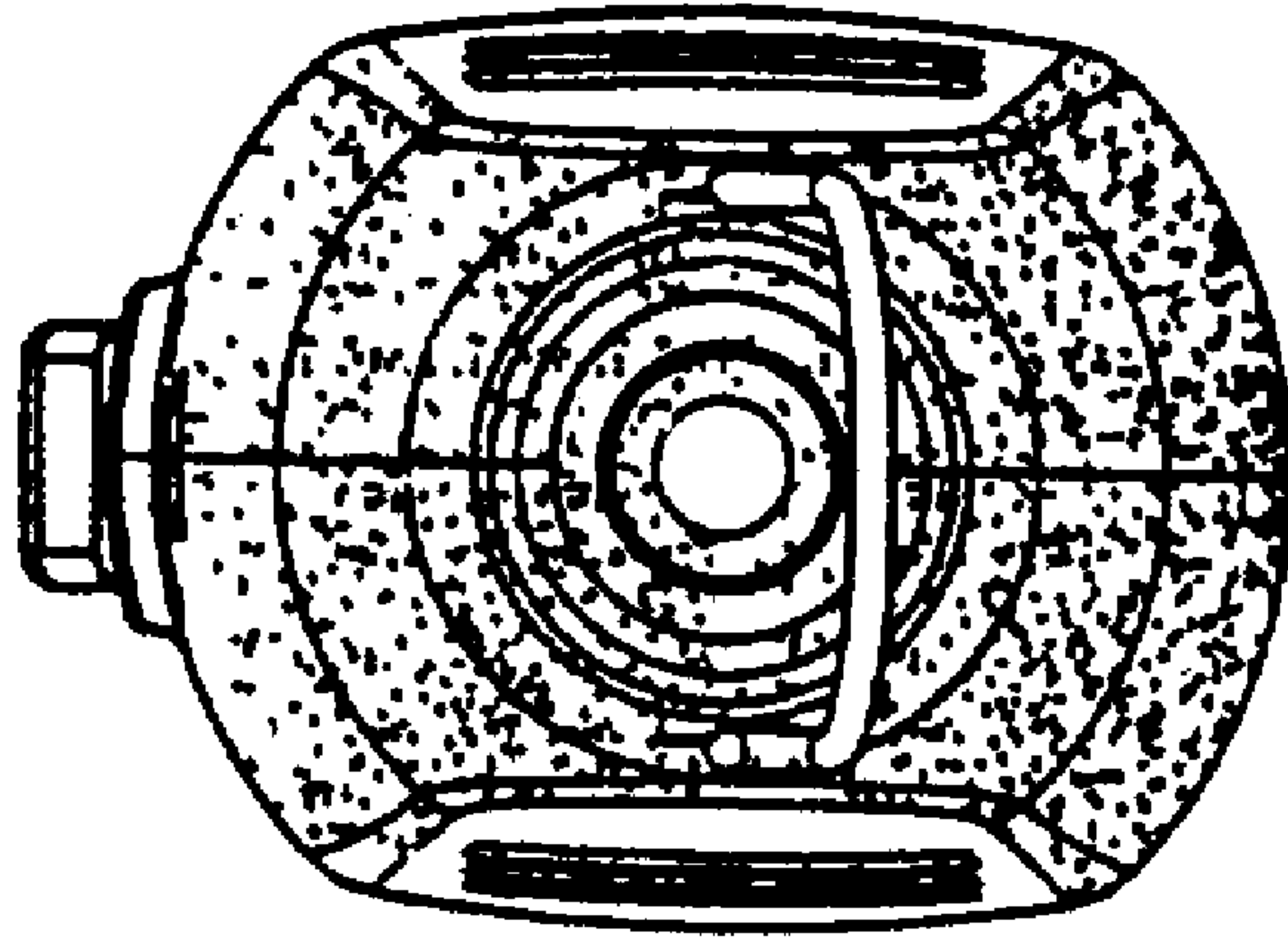


FIG. 6

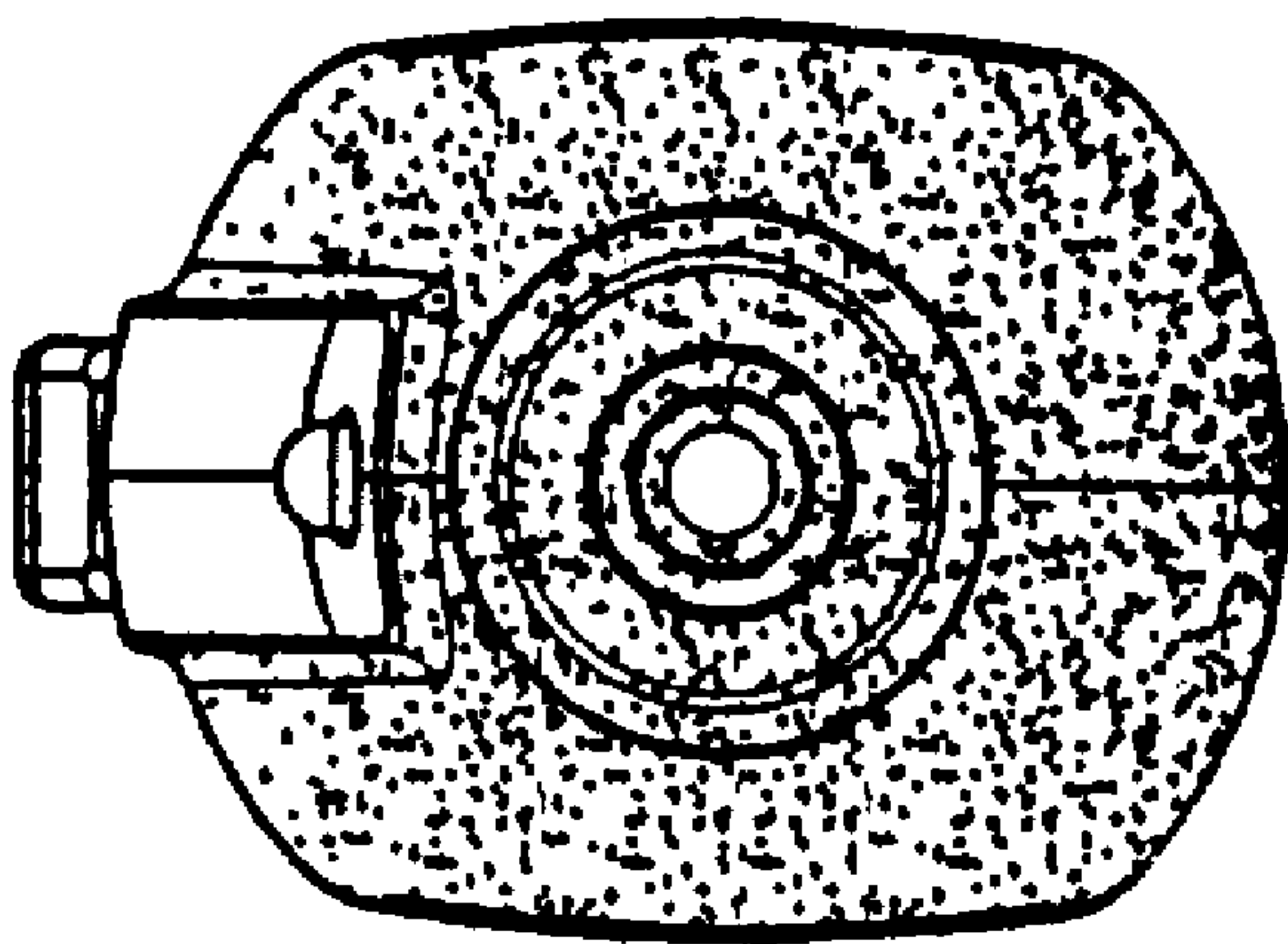


FIG. 5