



US00D427868S

# United States Patent [19] Rivera

[11] **Patent Number: Des. 427,868**

[45] **Date of Patent: \*\* Jul. 11, 2000**

[54] **FOLDING SCISSORS FOR INCLUSION IN A MULTIPURPOSE TOOL**

[75] Inventor: **Benjamin C. Rivera**, West Linn, Oreg.

[73] Assignee: **Leatherman Tool Group, Inc.**,  
Portland, Oreg.

[\*\*] Term: **14 Years**

[21] Appl. No.: **29/116,886**

[22] Filed: **Jan. 12, 2000**

[51] **LOC (7) Cl.** ..... **08-03**

[52] **U.S. Cl.** ..... **D8/52**

[58] **Field of Search** ..... D8/51, 52, 55,  
D8/57, 98, 105; 7/118, 128, 129, 131, 134,  
135, 900; 30/255

[56] **References Cited**

**U.S. PATENT DOCUMENTS**

244,508	7/1881	Woodward	7/131
D. 382,455	8/1997	Berg	D8/52
D. 384,974	10/1997	Sawano	D8/105
5,168,629	12/1992	Willard	7/135
5,400,451	3/1995	Furukawa	7/118
5,857,268	1/1999	Park	7/118
5,946,752	9/1999	Parrish	7/118

*Primary Examiner*—Alan P. Douglas  
*Assistant Examiner*—Reid Hecker  
*Attorney, Agent, or Firm*—Chernoff, Vilhauer, McClung & Stenzel, LLP

[57] **CLAIM**

The ornamental design for folding scissors for inclusion in a multipurpose tool, as shown and described.

**DESCRIPTION**

FIG. 1 is an isometric view from the upper left front of a folding scissors for inclusion in a multipurpose tool, showing my new design, wherein the broken line depiction of a portion of a handle of a multipurpose tool, a spring associated with the folding scissors, and a base portion of one leg of the scissors is included for illustrative purposes and forms no part of the claimed design;

FIG. 2 is an isometric view from the upper left front of the folding scissors for inclusion in a multipurpose tool shown in FIG. 1, showing my new design;

FIG. 3 is a left side elevational view thereof;

FIG. 4 is a top plan view thereof;

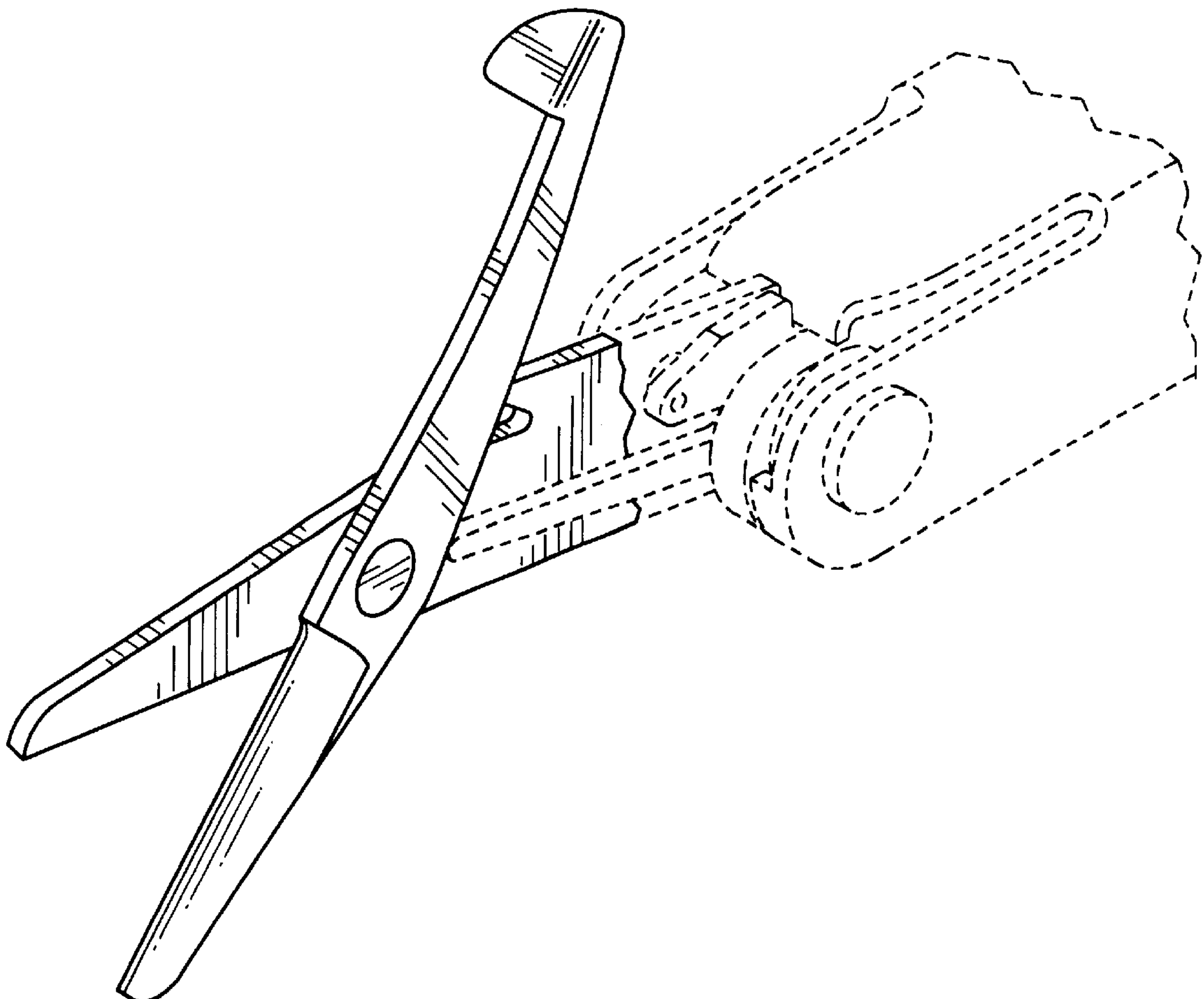
FIG. 5 is a bottom plan view thereof;

FIG. 6 is a front elevational view thereof;

FIG. 7 is a rear elevational view thereof; and,

FIG. 8 is a right side elevational view thereof.

**1 Claim, 2 Drawing Sheets**



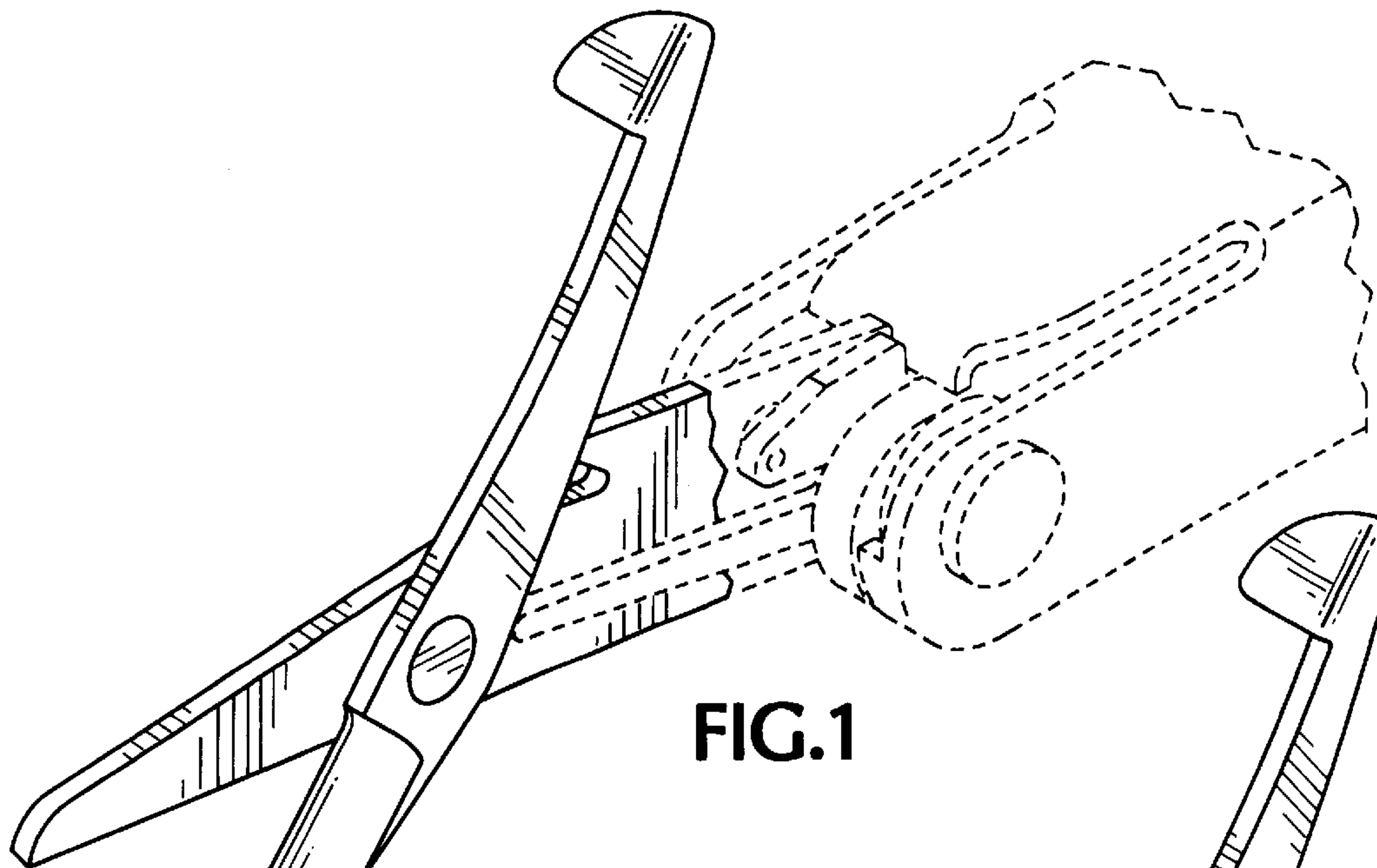


FIG. 1

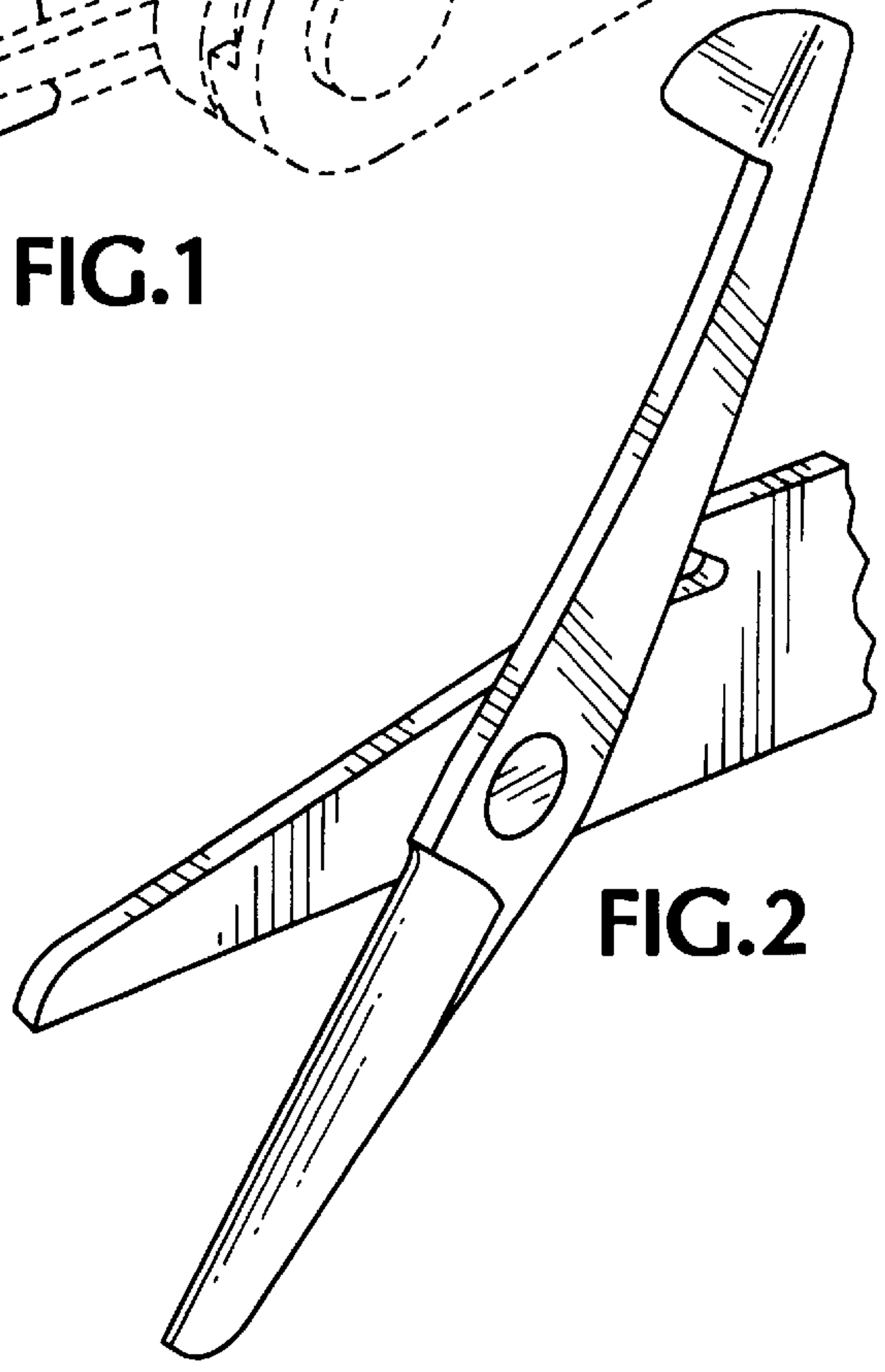


FIG. 2

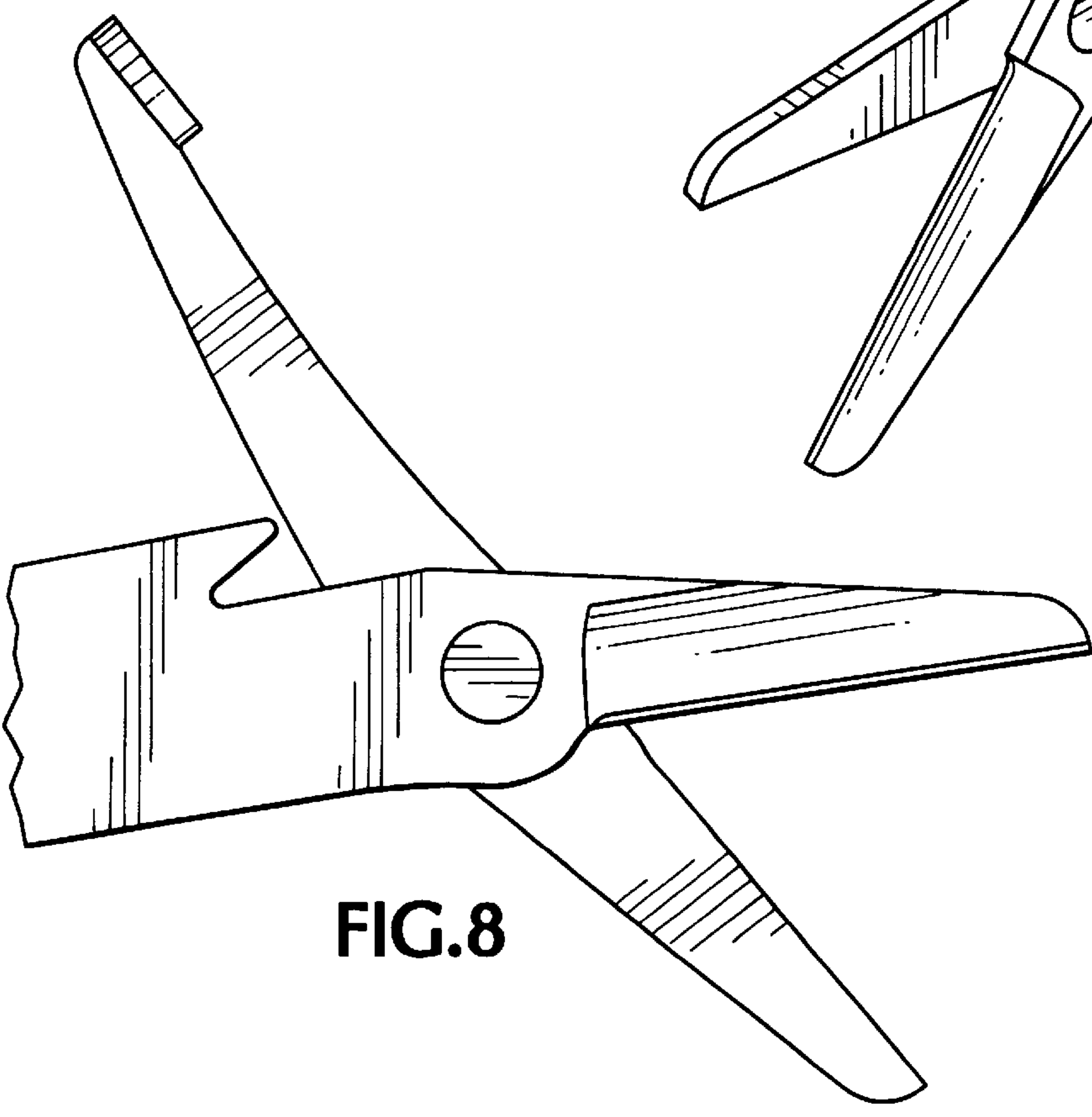


FIG. 8

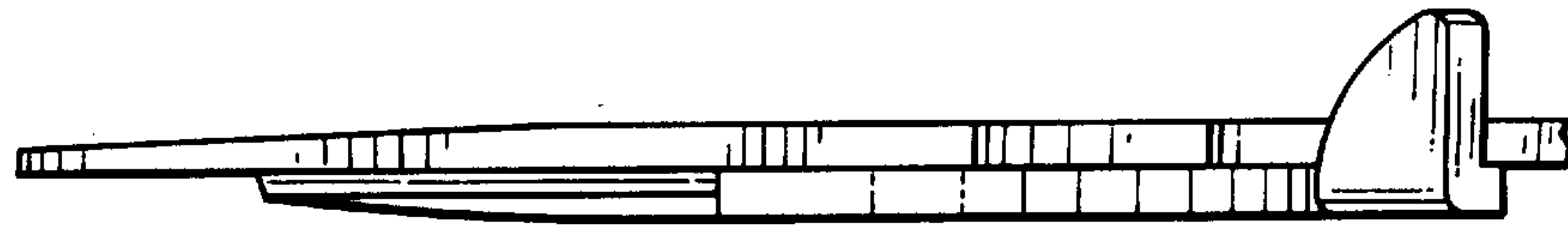


FIG. 4

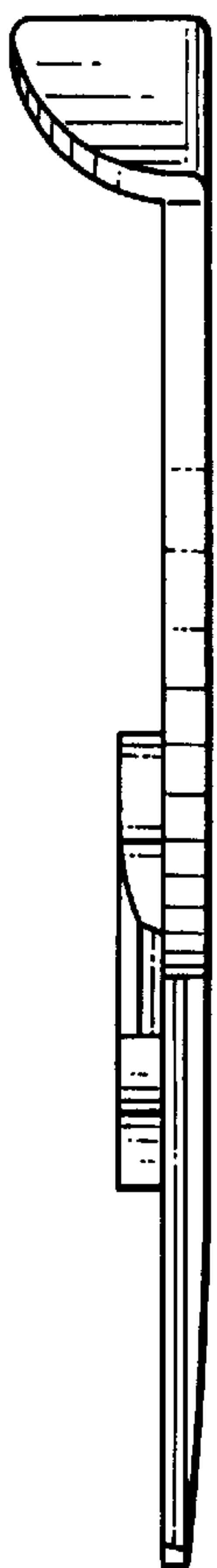


FIG. 6

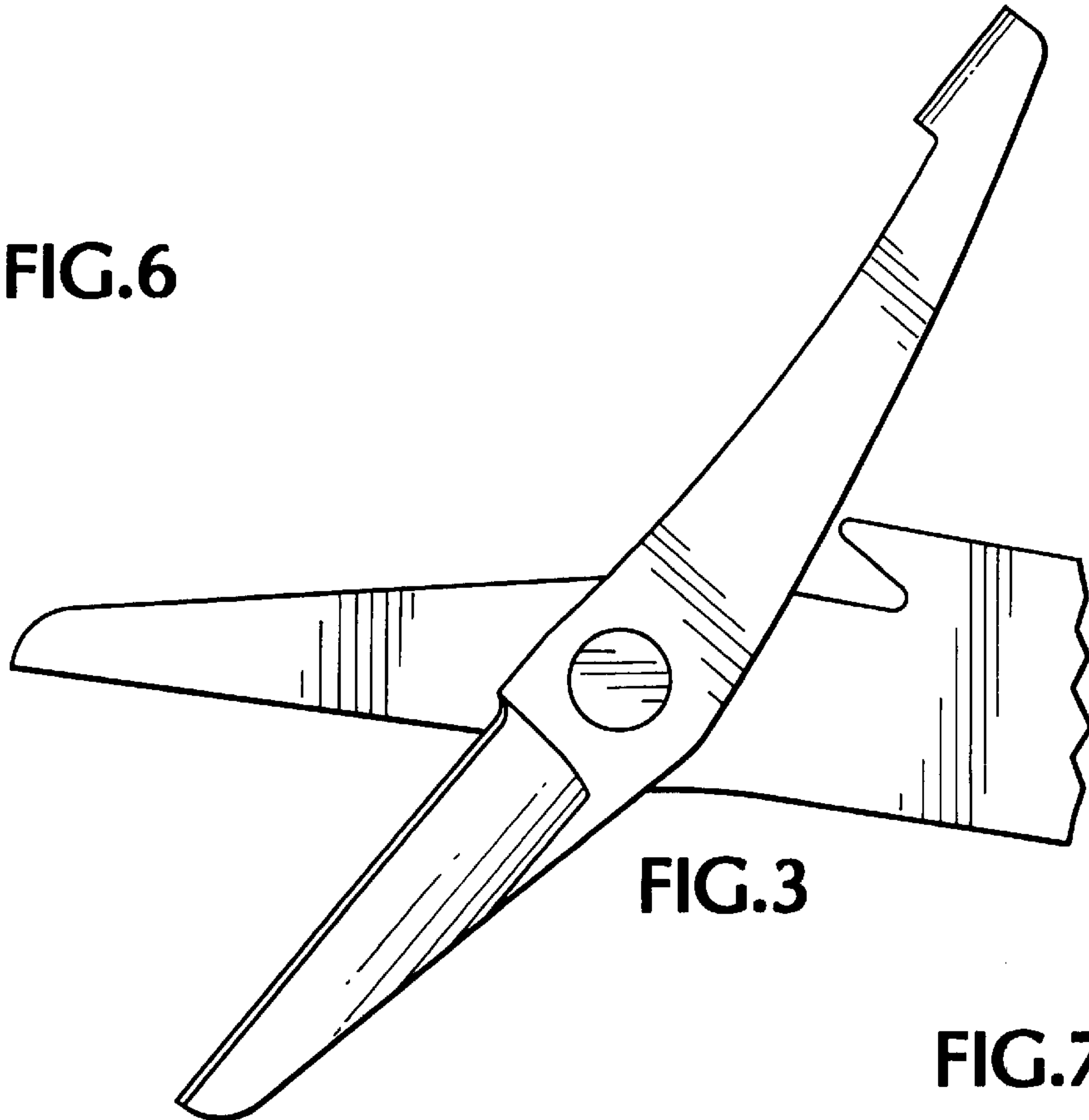


FIG. 3

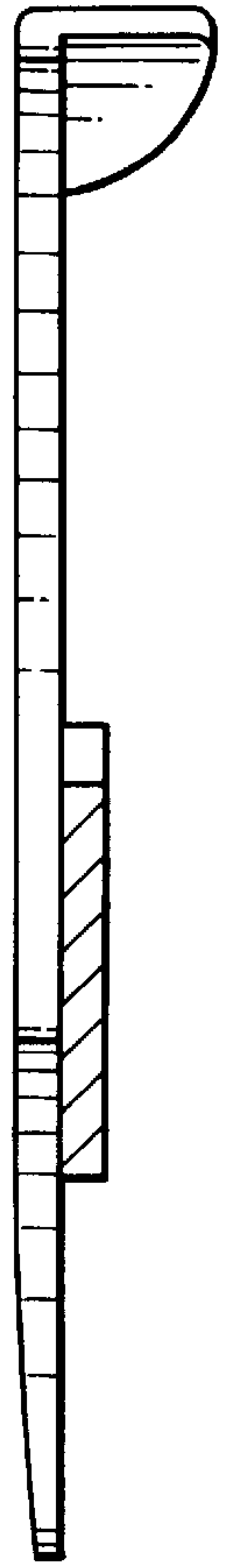


FIG. 7



FIG. 5