



US00D427867S

# United States Patent [19]

**Kakita et al.**

[11] **Patent Number: Des. 427,867**

[45] **Date of Patent: \*\* Jul. 11, 2000**

[54] **BINDING DEVICE**

3,039,249 6/1962 Bouchard ..... 53/583  
5,992,490 4/1957 Kakita et al. .... 156/443

[75] Inventors: **Toshimasa Kakita; Norihiko Murata,**  
both of Tokyo, Japan

[73] Assignee: **Nichiban Co., Ltd.,** Tokyo, Japan

[\*\*] Term: **14 Years**

[21] Appl. No.: **29/092,161**

[22] Filed: **Aug. 13, 1998**

[30] **Foreign Application Priority Data**

Mar. 30, 1998 [JP] Japan ..... 10-8946

[51] **LOC (7) Cl.** ..... **08-05**

[52] **U.S. Cl.** ..... **D8/51; D15/145**

[58] **Field of Search** ..... D8/14, 44, 51;  
D15/145; D19/67; 156/443, 459, 522, 587;  
53/583

[56] **References Cited**

**U.S. PATENT DOCUMENTS**

2,787,102 4/1957 Kruger ..... 53/583

**FOREIGN PATENT DOCUMENTS**

9-61465 7/1997 Japan .

*Primary Examiner*—Philip S. Hyder  
*Attorney, Agent, or Firm*—Oblon, Spivak, McClelland,  
Maier & Neustadt, P.C.

[57] **CLAIM**

The ornamental design for a binding device, as shown and described.

**DESCRIPTION**

FIG. 1 is a top, front and left side perspective view of binding device showing my new design; FIG. 2 is a front elevational view thereof; FIG. 3 is a rear elevational view thereof; FIG. 4 is a top plan view thereof; FIG. 5 is a bottom plan view thereof; FIG. 6 is a left side elevational view thereof; and, FIG. 7 is a right side elevational view thereof.

**1 Claim, 4 Drawing Sheets**



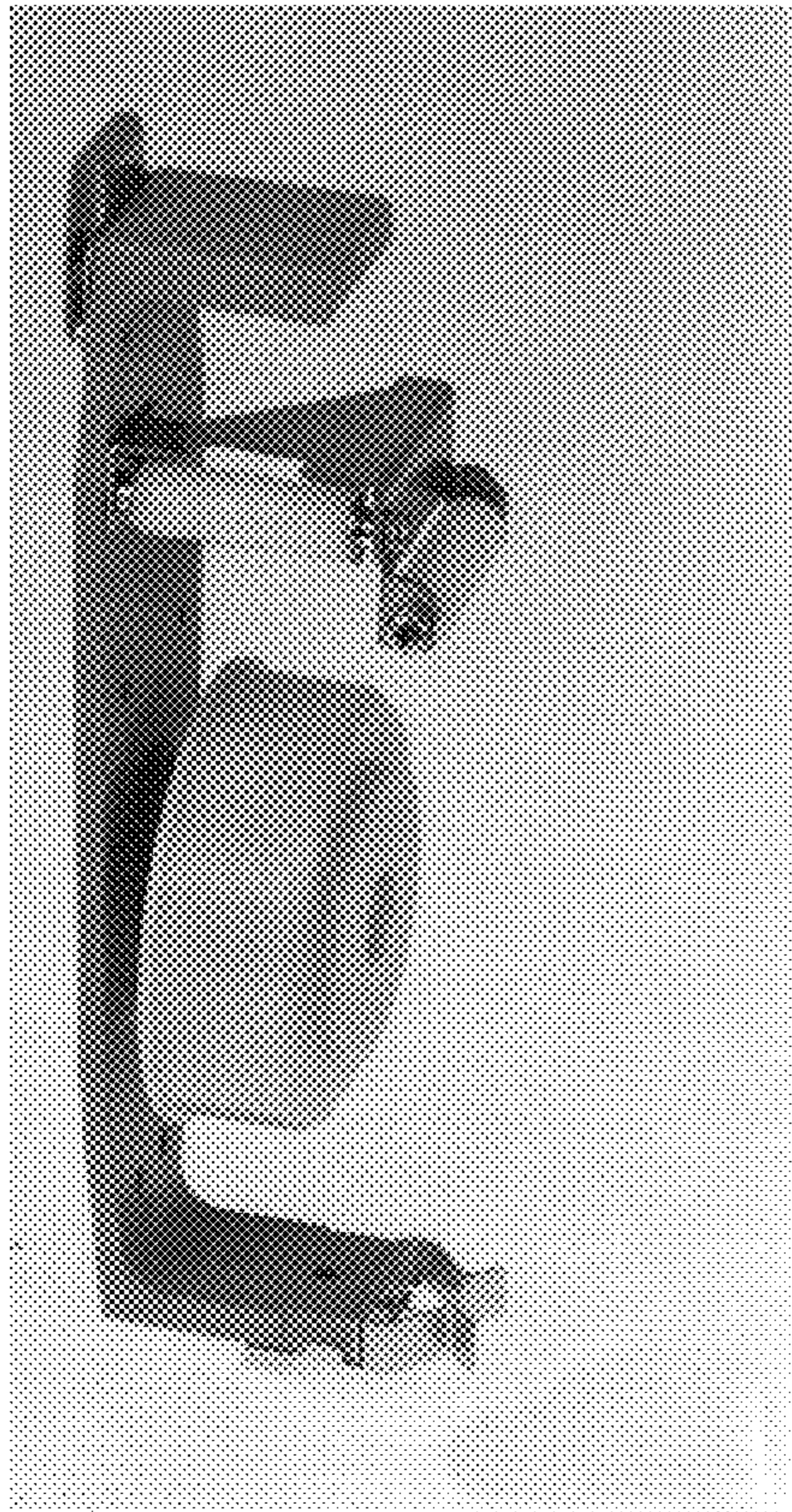


FIG. 1

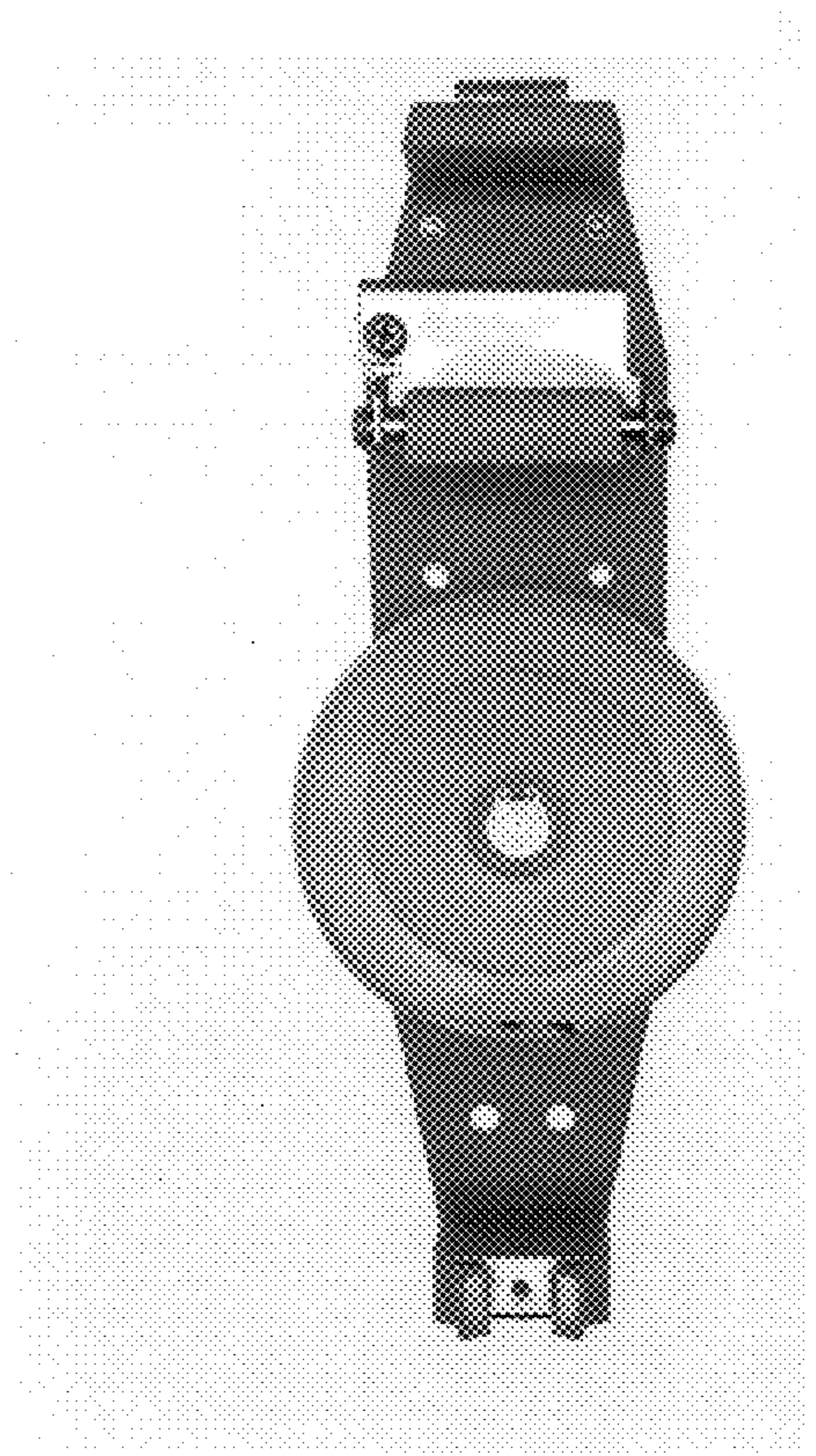


FIG. 2

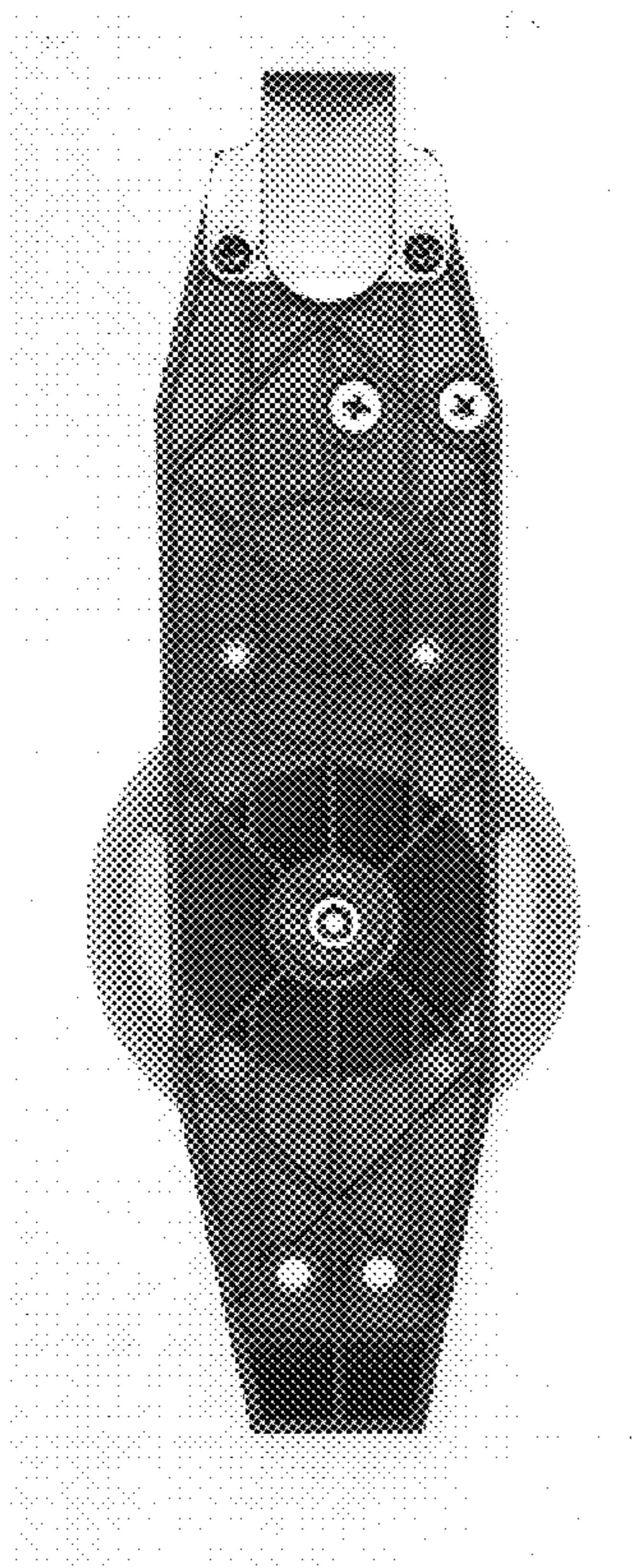


FIG. 3

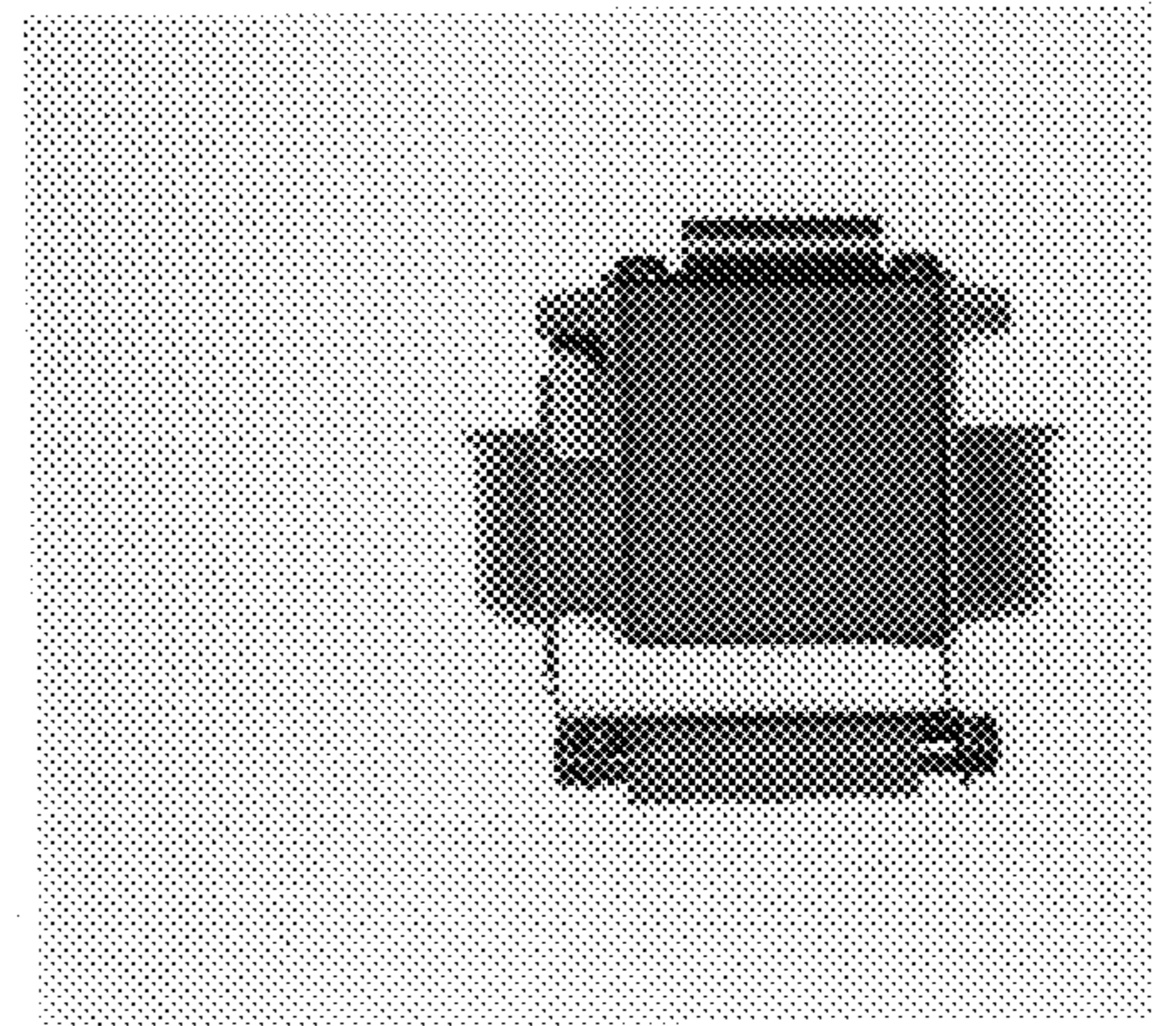


FIG. 4

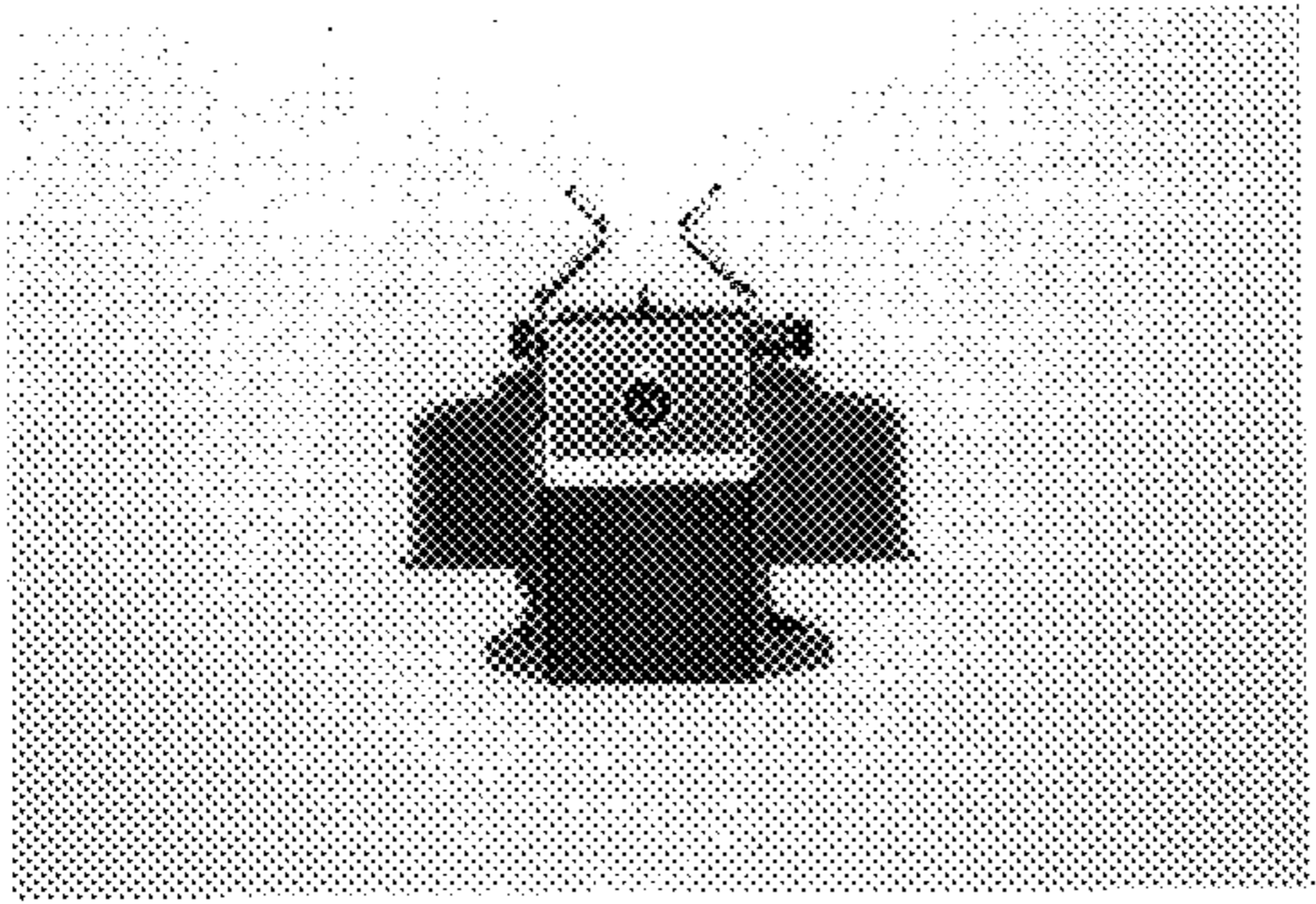


FIG. 5

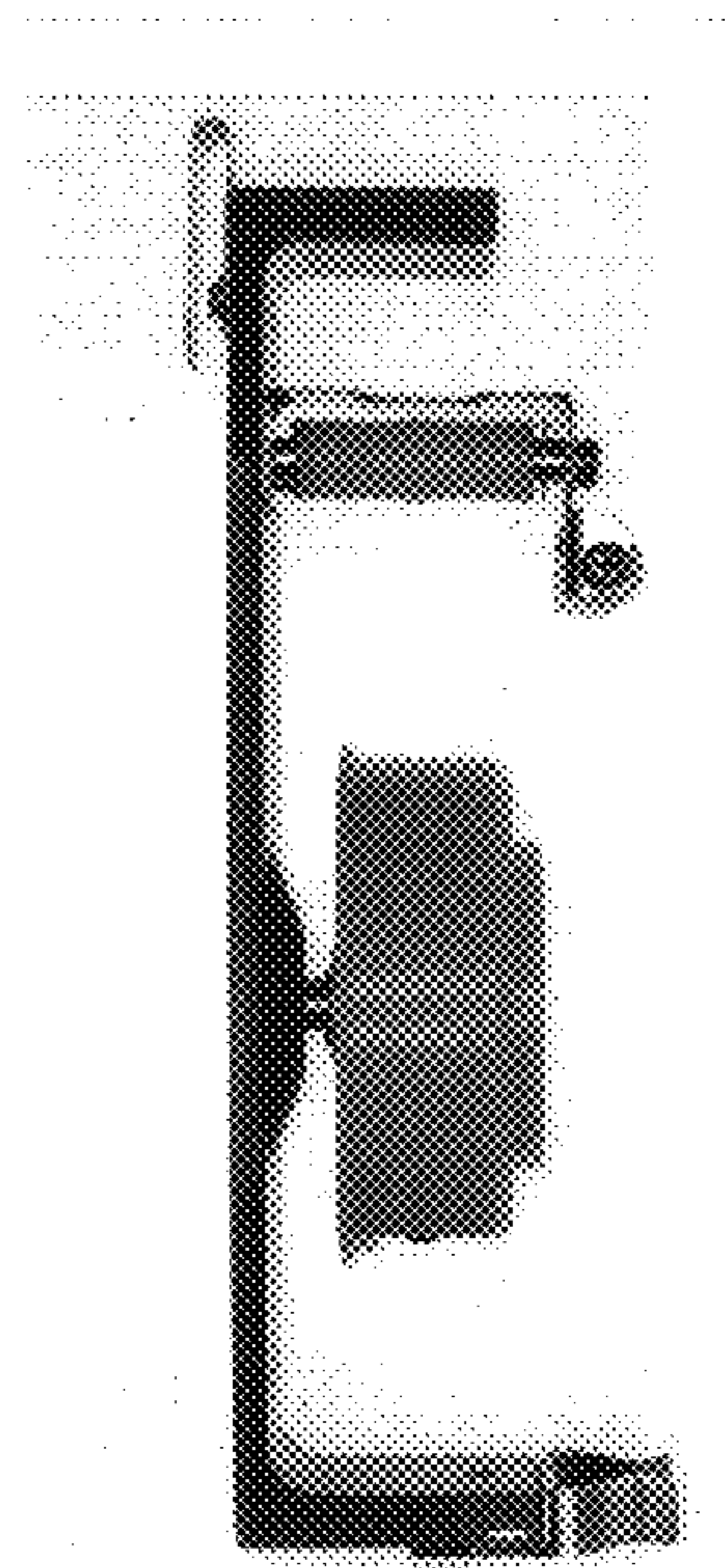


FIG. 6

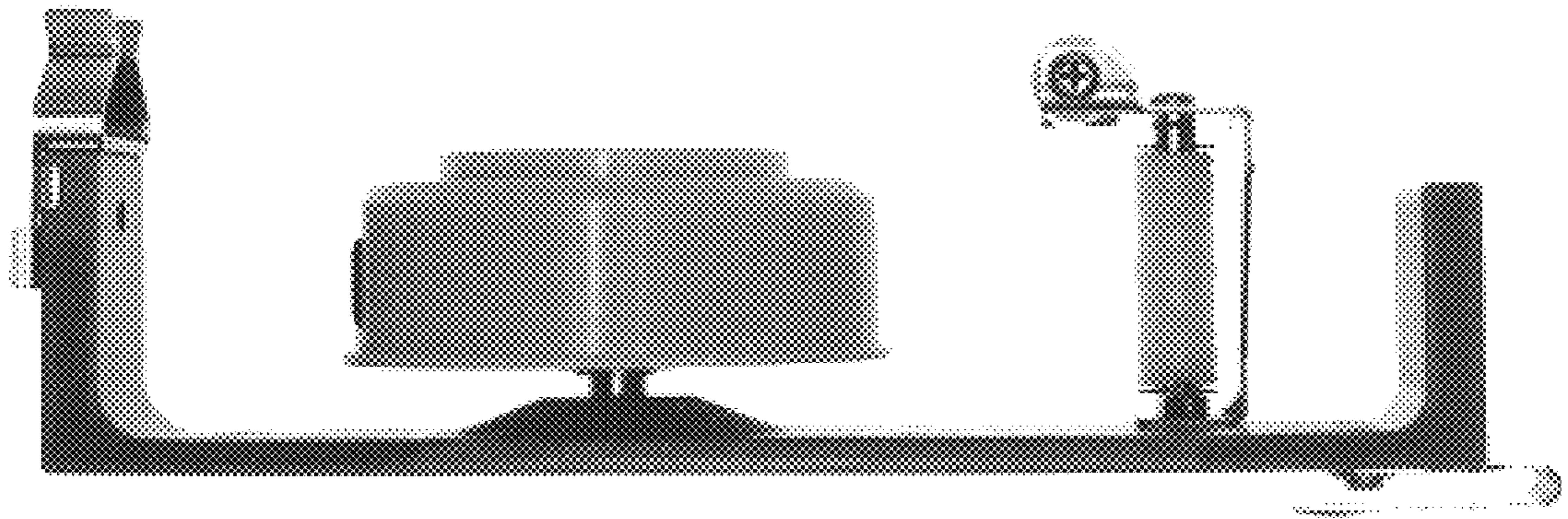


FIG. 7