



US00D427861S

United States Patent [19]
Cooper et al.

[11] **Patent Number: Des. 427,861**
[45] **Date of Patent: ** Jul. 11, 2000**

[54] **EDGER**
[75] Inventors: **Vincent P. Cooper**, Baltimore, Md.;
Richard Rosa, Kingston; **Jacob R. Prosper**, Brockville, both of Canada
[73] Assignee: **Black & Decker Inc.**, Newark, Del.
[**] Term: **14 Years**
[21] Appl. No.: **29/109,392**
[22] Filed: **Aug. 13, 1999**
[51] **LOC (7) Cl.** **08-01**
[52] **U.S. Cl.** **D8/8; D8/1**
[58] **Field of Search** **D8/1, 7, 8, 9;**
30/276; 172/13, 17; 56/12.1, 12.7, 17.1

2,706,941 4/1955 Swanson .
3,006,421 10/1961 Feilbach .
3,068,504 12/1962 Peterson .
3,627,055 12/1971 Lay .
3,788,049 1/1974 Ehrlich .
3,812,917 5/1974 Strate .
4,037,667 7/1977 Gonsalves et al. .
4,043,103 8/1977 Lakin et al. .
4,278,133 7/1981 de Marcellus .
4,463,544 8/1984 Carsello et al. .
4,504,997 3/1985 Weiler .
4,712,363 12/1987 Claborn .
4,817,235 4/1989 Doxey et al. .
4,914,899 4/1990 Carmine .
4,979,573 12/1990 Williamson .
5,029,435 7/1991 Buchanan .
5,081,829 1/1992 Grube .
5,156,218 10/1992 Metzler et al. .
5,226,486 7/1993 Naiser .
5,325,928 7/1994 Wagster et al. .
5,351,762 10/1994 Bean .
5,406,669 4/1995 Lesiw .
5,520,253 5/1996 Kesting .
5,577,374 11/1996 Huston .
5,826,667 10/1998 Notaras et al. 172/17
5,842,331 12/1998 Klee .

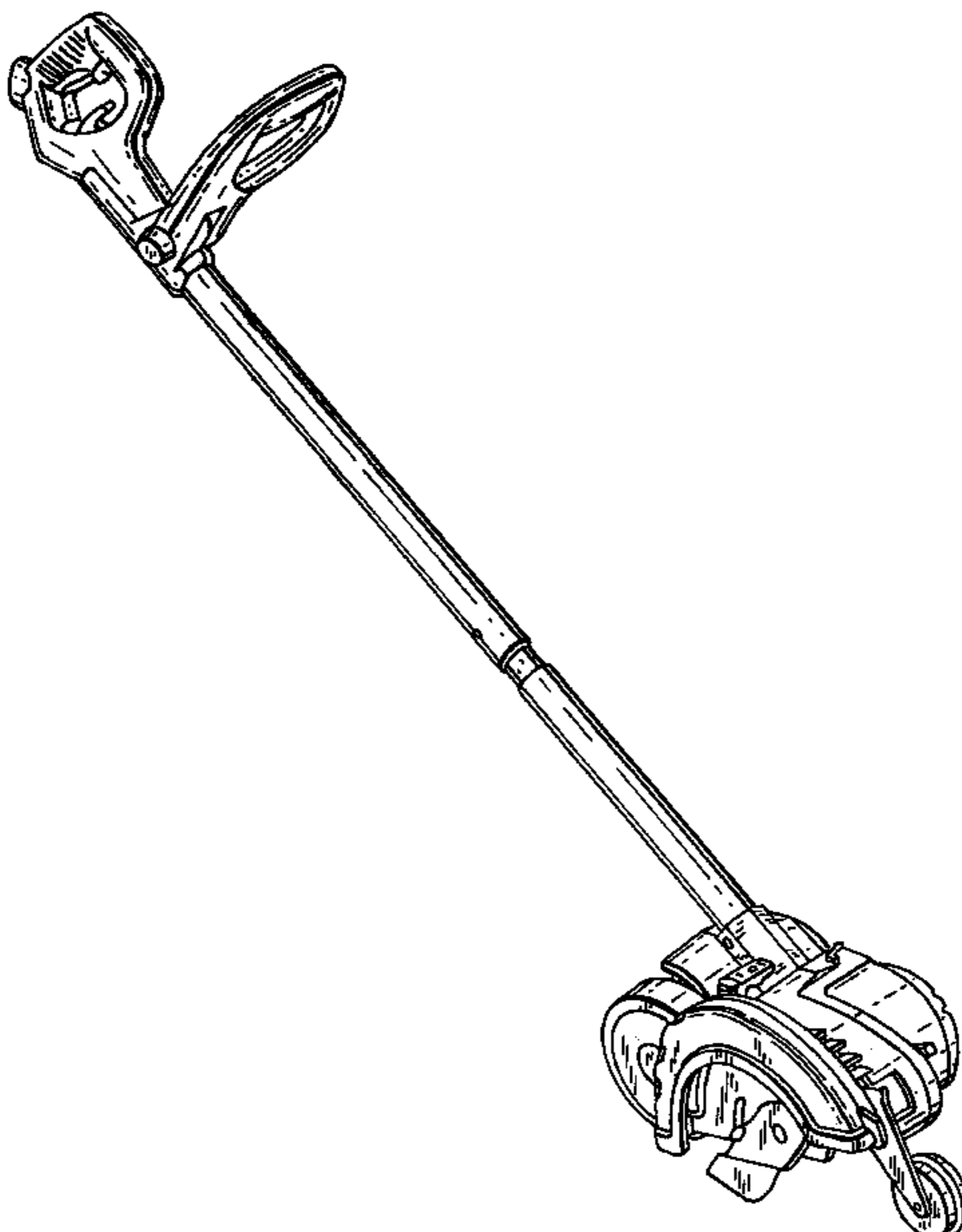
[56] **References Cited**
U.S. PATENT DOCUMENTS
D. 172,275 5/1954 Gabbert et al. .
D. 201,693 7/1965 Abrahamsen et al. .
D. 206,890 2/1967 Adams et al. .
D. 225,295 12/1972 Boldt .
D. 234,018 12/1974 DeBrey .
D. 249,012 8/1978 Everts .
D. 349,220 8/1994 Griffin .
D. 349,221 8/1994 Griffin .
D. 354,892 1/1995 Griffin .
D. 360,563 7/1995 Griffin et al. D8/8
D. 372,405 8/1996 Notaras et al. D8/1
D. 380,129 6/1997 Meisner et al. .
D. 382,450 8/1997 Meisner et al. .
D. 398,817 9/1998 Meisner et al. .
D. 414,088 9/1999 Juratovac et al. .
D. 414,388 9/1999 Wright .
791,791 6/1905 Hurford .
1,493,670 5/1924 Galvin .
1,505,685 8/1924 Allen .
1,816,054 7/1931 Pelkey .
2,043,148 6/1936 Blondeau .
2,480,877 9/1949 Peterson .

Primary Examiner—Robin V. Taylor
Attorney, Agent, or Firm—Harness, Dickey & Pierce, P.L.C.

[57] **CLAIM**
The ornamental design for an edger, as shown and described.

DESCRIPTION
FIG. 1 is a perspective view of an edger of the present invention;
FIG. 2 is a plan view of the edger of FIG. 1;
FIG. 3 is a right side view of the edger of FIG. 1;
FIG. 4 is a front view of the edger of FIG. 1;
FIG. 5 is a rear view of the edger of FIG. 1; and,
FIG. 6 is a left side view of the edger of FIG. 1.

1 Claim, 3 Drawing Sheets



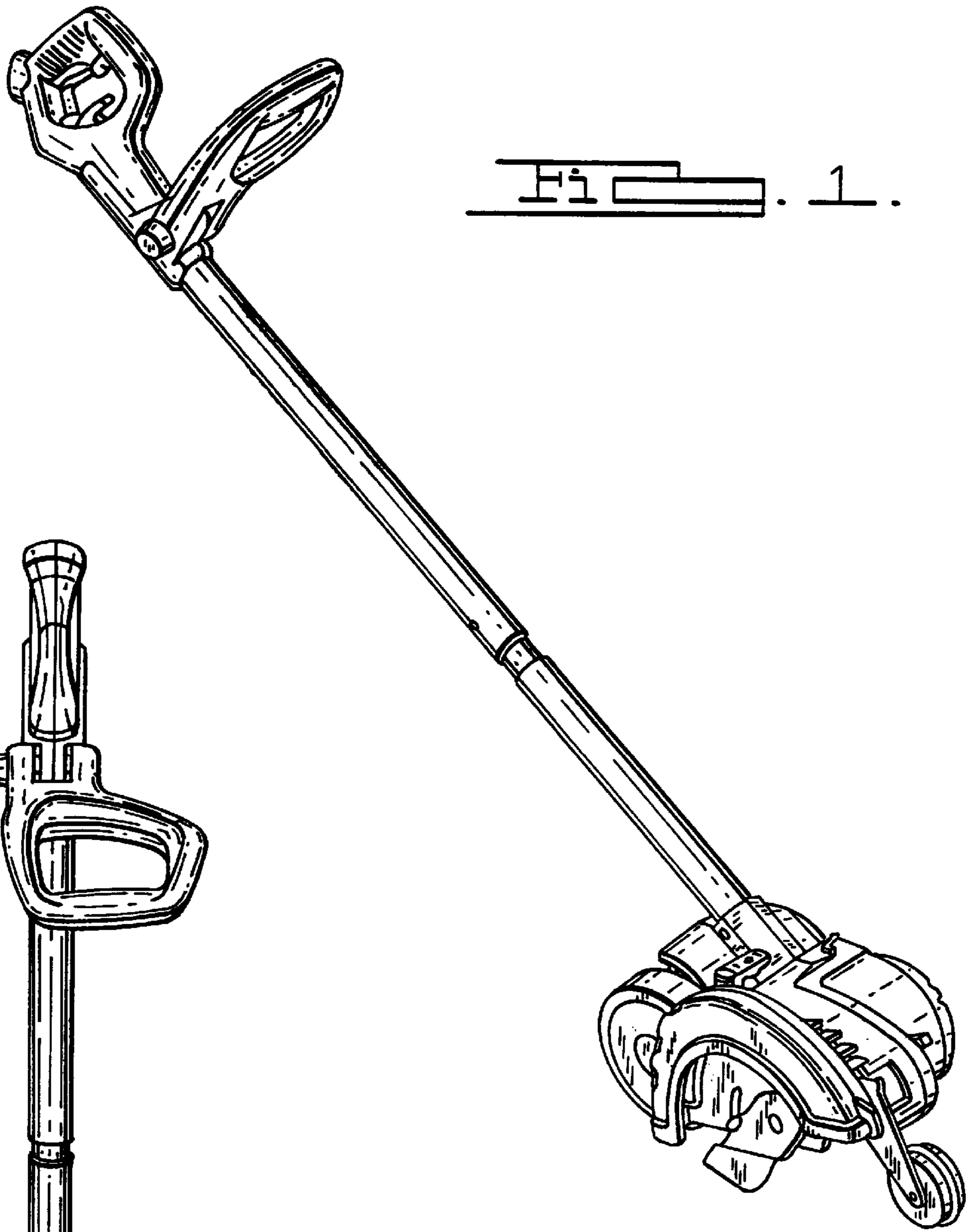


Fig. 1.

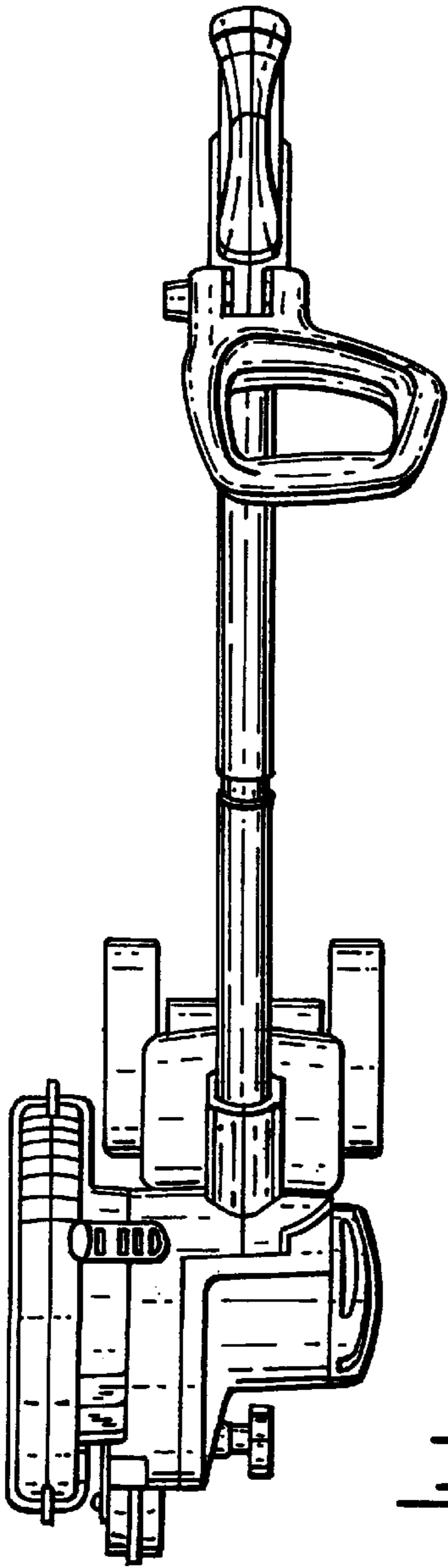


Fig. 2.

