



US00D427858S

United States Patent [19] Zemel

[11] **Patent Number: Des. 427,858**

[45] **Date of Patent: ** Jul. 11, 2000**

[54] **BARBECUE SPATULA**

[75] Inventor: **Marc Zemel**, Old Bethpage, N.Y.

[73] Assignee: **Mr. Bar-B-Q-, Inc.**, Old Bethpage, N.Y.

[**] Term: **14 Years**

[21] Appl. No.: **29/112,265**

[22] Filed: **Oct. 13, 1999**

[51] **LOC (7) Cl.** **07-04**

[52] **U.S. Cl.** **D7/692**

[58] **Field of Search** D7/682-696; 30/136, 30/169, 325, 327; 16/111 R; 297/7, 8

[56] **References Cited**

U.S. PATENT DOCUMENTS

- D. 316,213 4/1991 Skerker et al. D7/692 X
- D. 389,698 1/1998 Cohen .
- D. 392,851 3/1998 Zeller D7/692
- 4,711,029 12/1987 Somerset 294/7 X

OTHER PUBLICATIONS

Mr. Bar-B-Q-, Inc. Premium Grill Brush, Item No. 06014, Copyright 1997.
 Mr. Bar-B-Q-, Inc. 4-in-1 Spatula Item No. 02001 Copyright 1995.

Primary Examiner—Terry A. Wallace
Attorney, Agent, or Firm—Natter & Natter

[57] **CLAIM**

The ornamental design for a barbecue spatula, as shown and described.

DESCRIPTION

FIG. 1 is a top plan view of a barbecue spatula showing my new design;

FIG. 2 is a bottom view thereof;

FIG. 3 is a right side view thereof;

FIG. 4 is a left side view thereof;

FIG. 5 is a front elevational view thereof;

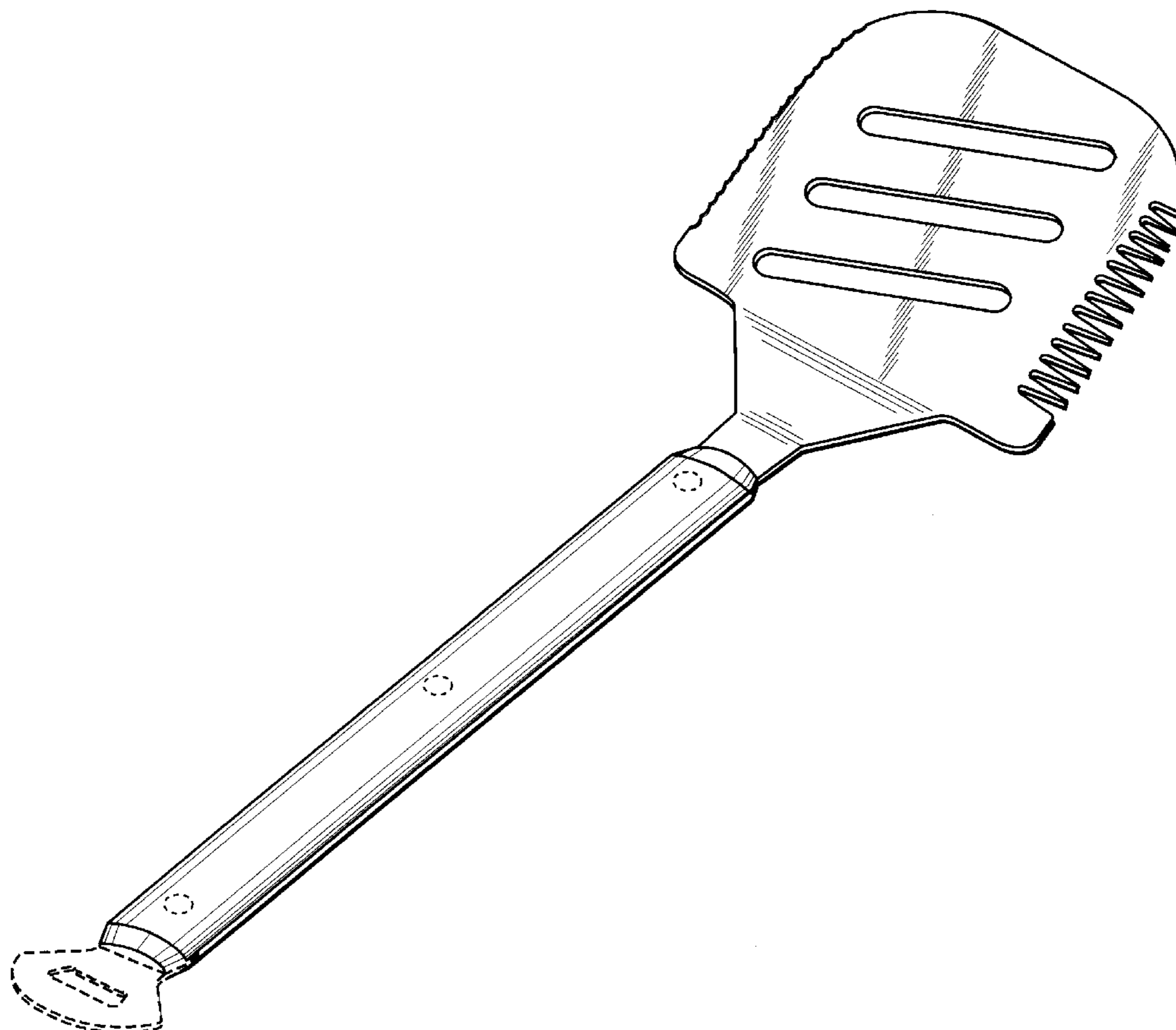
FIG. 6 is a rear elevational view thereof; and,

FIG. 7 is a perspective view thereof.

The broken line showings of a bottle opener and rivets form no part of the claimed design.

The stippling in the drawings is for shading purposes only.

1 Claim, 4 Drawing Sheets



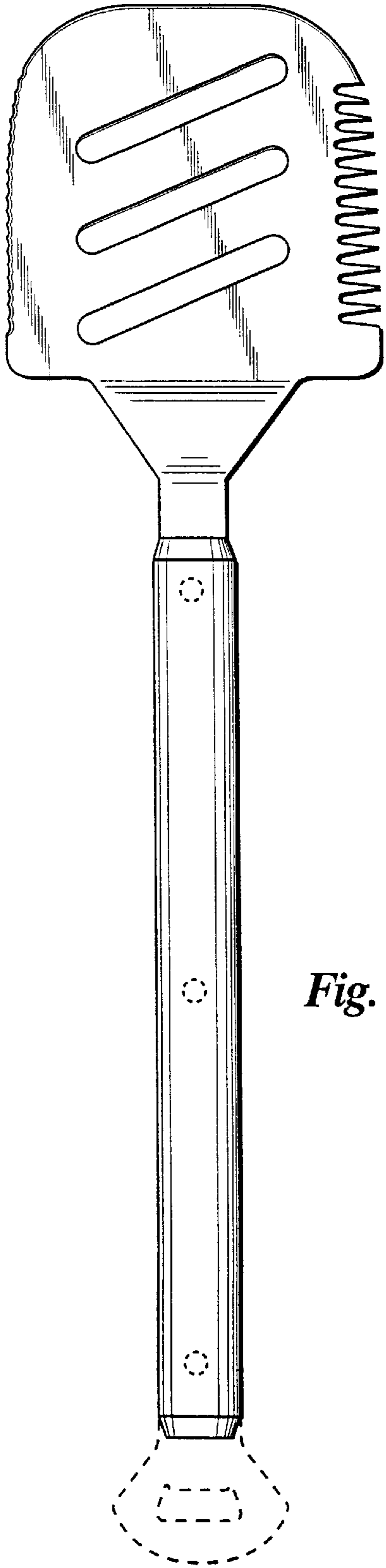


Fig. 1

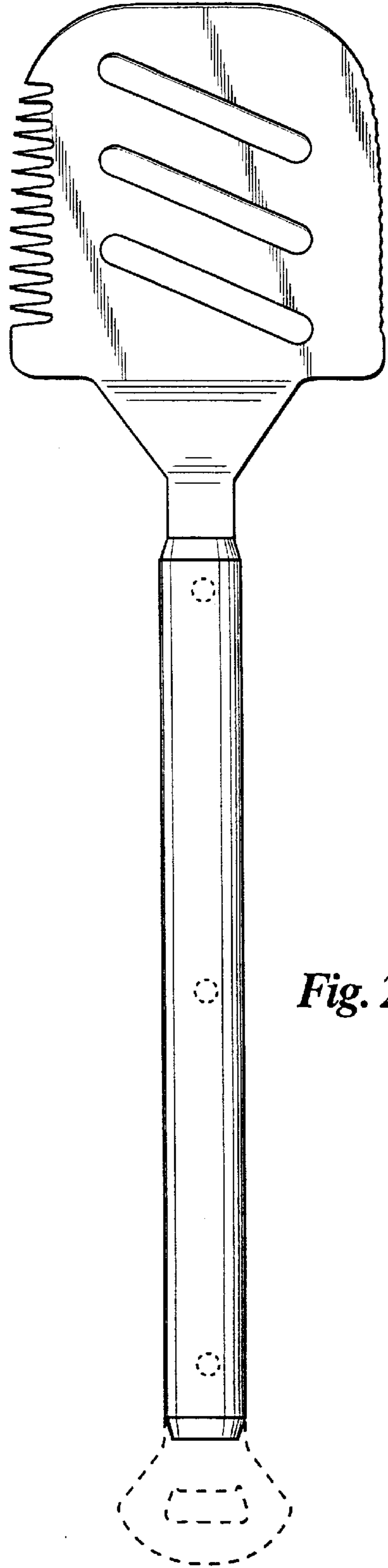


Fig. 2

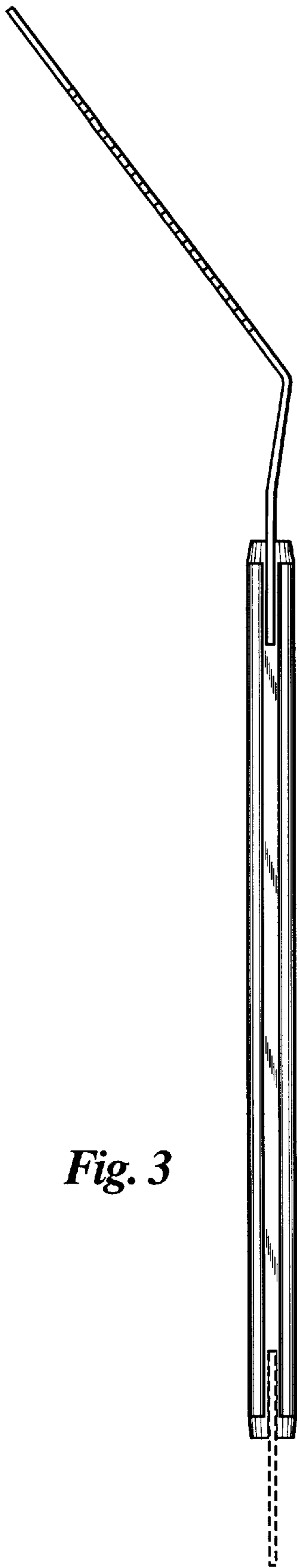


Fig. 3

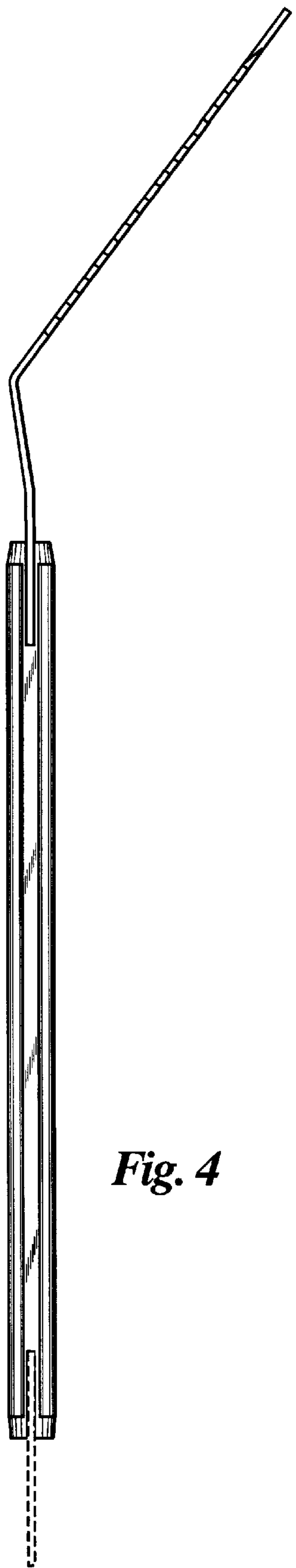


Fig. 4

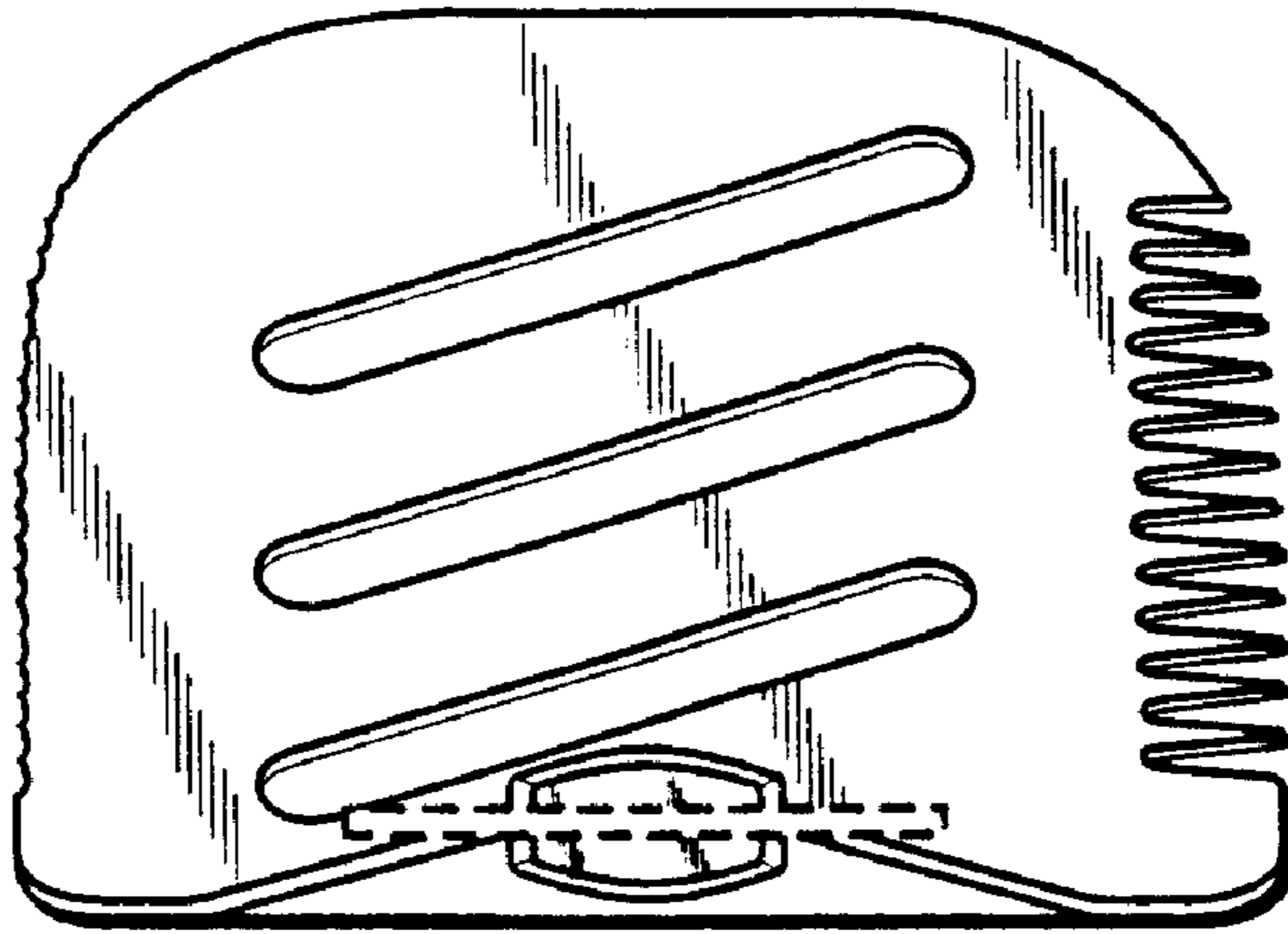


Fig. 5

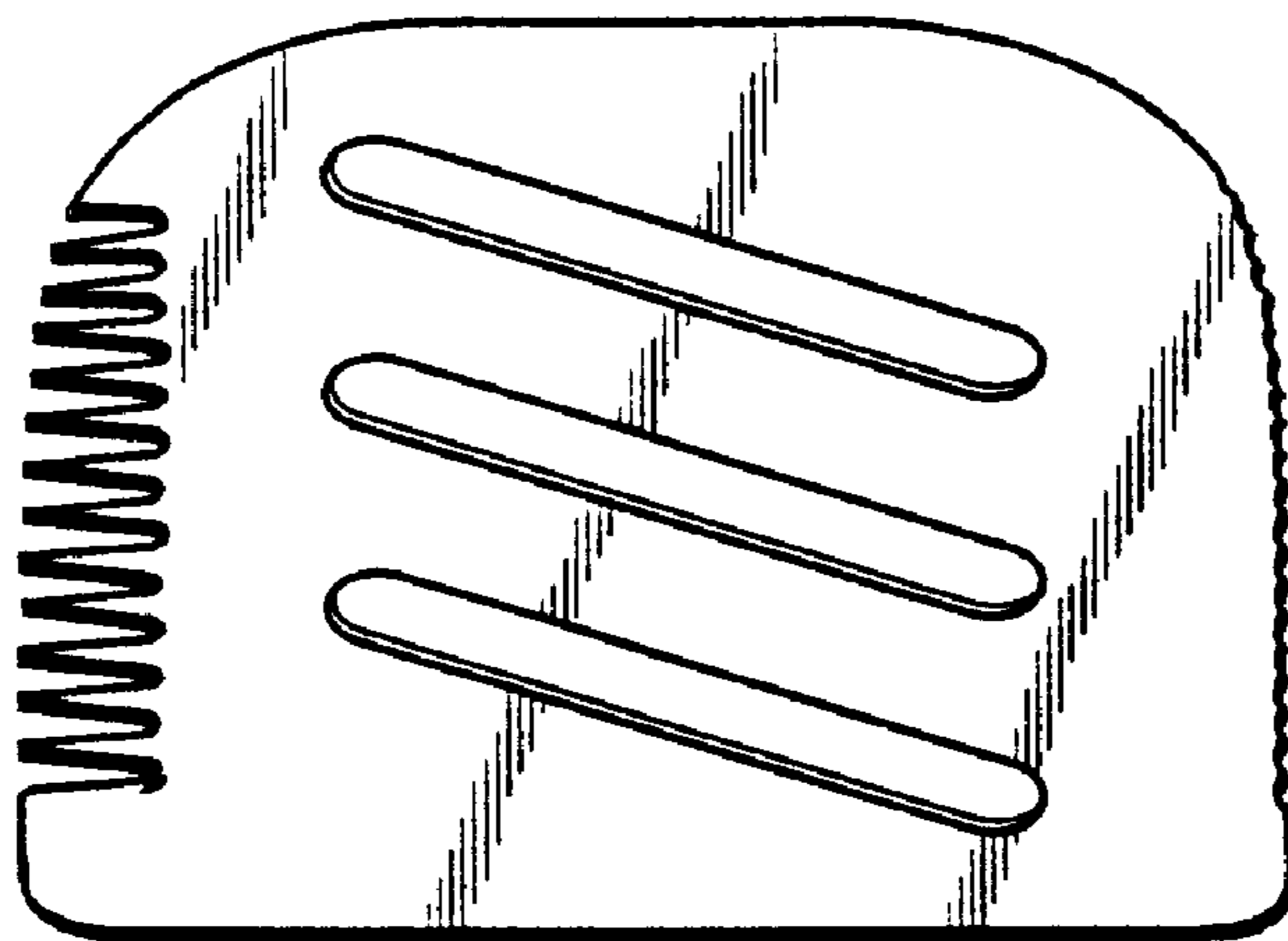


Fig. 6

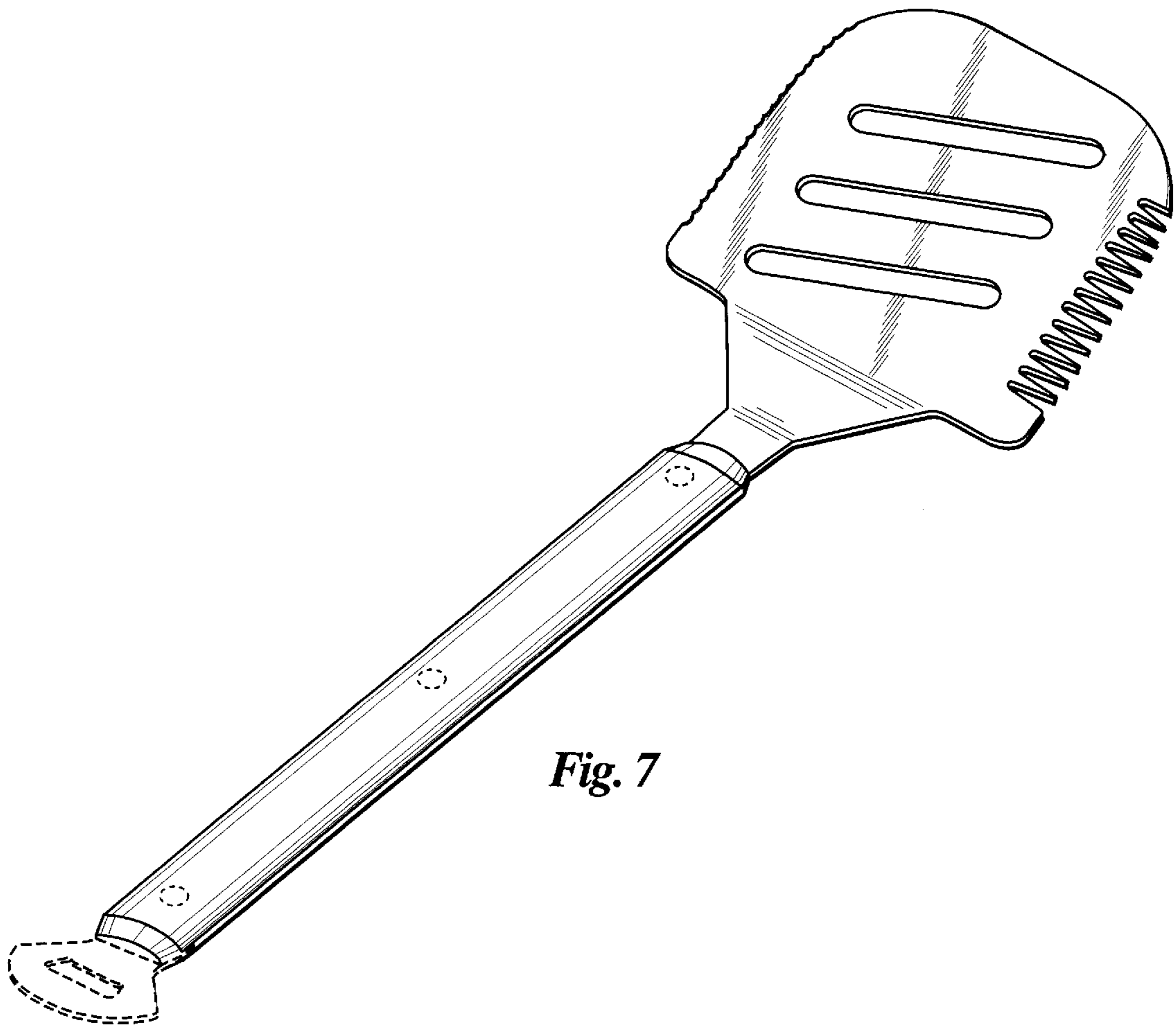


Fig. 7