



US00D427855S

United States Patent [19] Baker

[11] Patent Number: Des. 427,855

[45] Date of Patent: ** Jul. 11, 2000

[54] DRINKING CUP

5,614,275 3/1997 Chan 428/35.7

[76] Inventor: Lisa E. Baker, 5578 College Glen Loop SE. #H101, Lacey, Wash. 98502

Primary Examiner—M. N. Pandozzi
Attorney, Agent, or Firm—Jensen & Puntigam, P.S.

[**] Term: 14 Years

[57] CLAIM

[21] Appl. No.: 29/108,526

The ornamental design for a drinking cup, as shown and described.

[22] Filed: Jul. 29, 1999

DESCRIPTION

[51] LOC (7) Cl. 07-01

FIG. 1 is a front elevational view of a drinking cup showing my new design;

[52] U.S. Cl. D7/516; D7/515; D7/534

FIG. 2 is a rear elevational view thereof;

[58] Field of Search D7/507, 509, 510, D7/511, 514, 515, 56, 519, 534; D9/310, 318; 428/35.7; 220/574, 575

FIG. 3 is a side elevational view thereof;

FIG. 4 is a top plan view thereof;

FIG. 5 is a bottom plan view thereof;

[56] References Cited

U.S. PATENT DOCUMENTS

D. 324,625	3/1992	Mayers	D7/510
D. 351,530	10/1994	Petrsek	D7/516
D. 358,298	5/1995	Brown et al.	D7/516
D. 366,987	2/1996	Allegre	D7/510
D. 407,605	4/1999	Berger	D7/516

FIG. 6 is a front elevational view of a second embodiment of the drinking cup shown in FIG. 1.

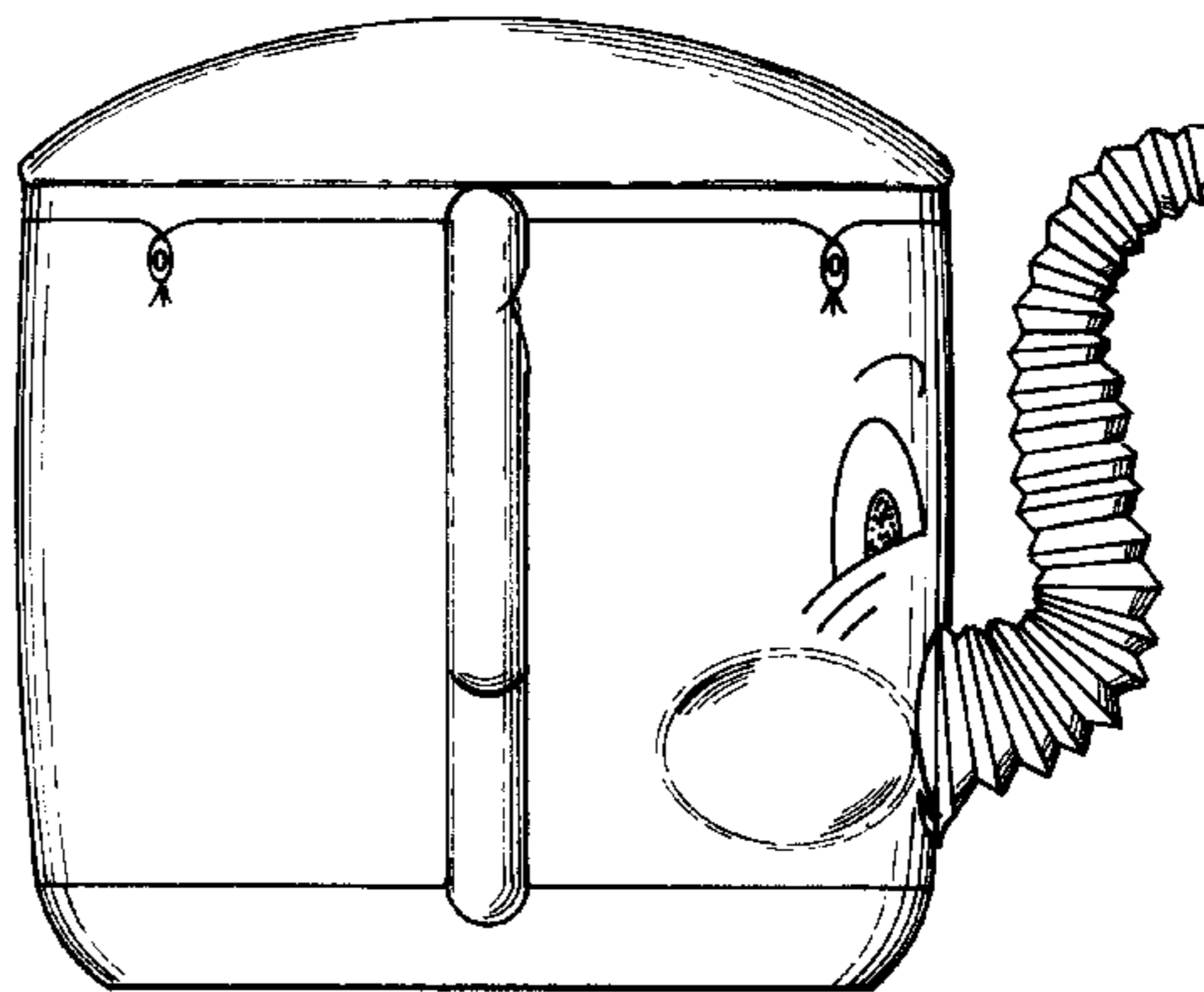
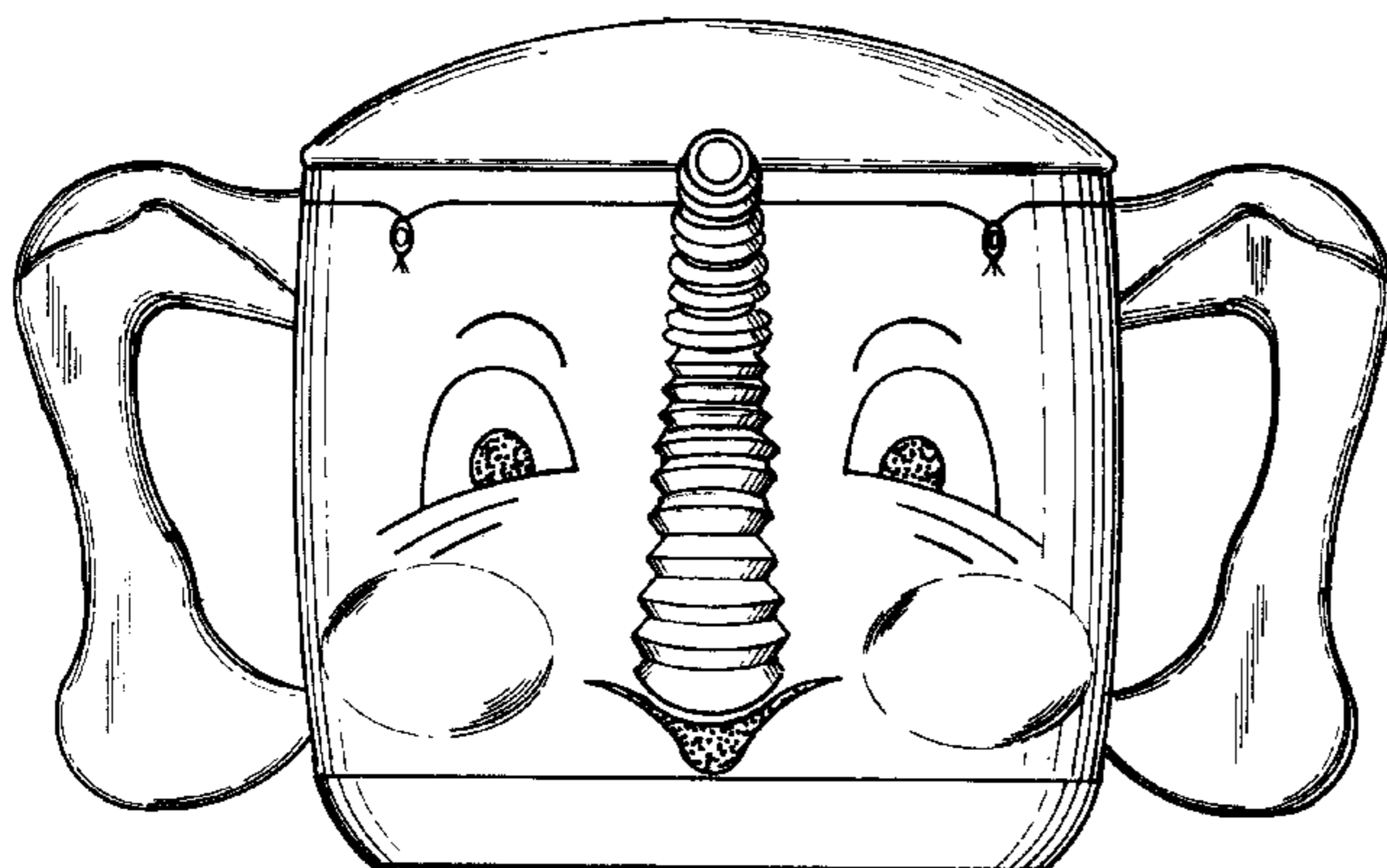
FIG. 7 is a rear elevational view thereof;

FIG. 8 is a side elevational view thereof;

FIG. 9 is a top plan view thereof; and,

FIG. 10 is a bottom plan view thereof.

1 Claim, 6 Drawing Sheets



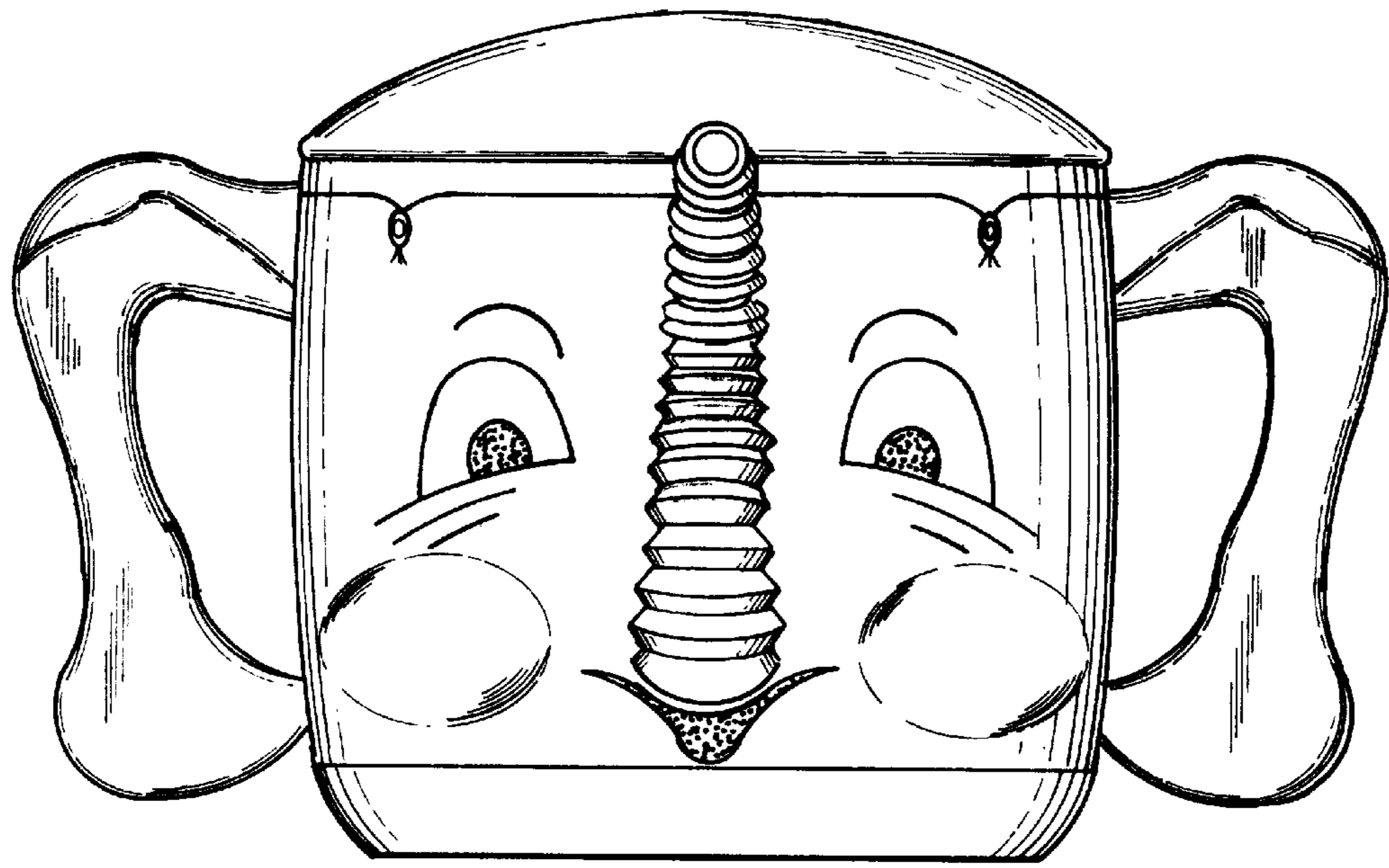


FIG. 1

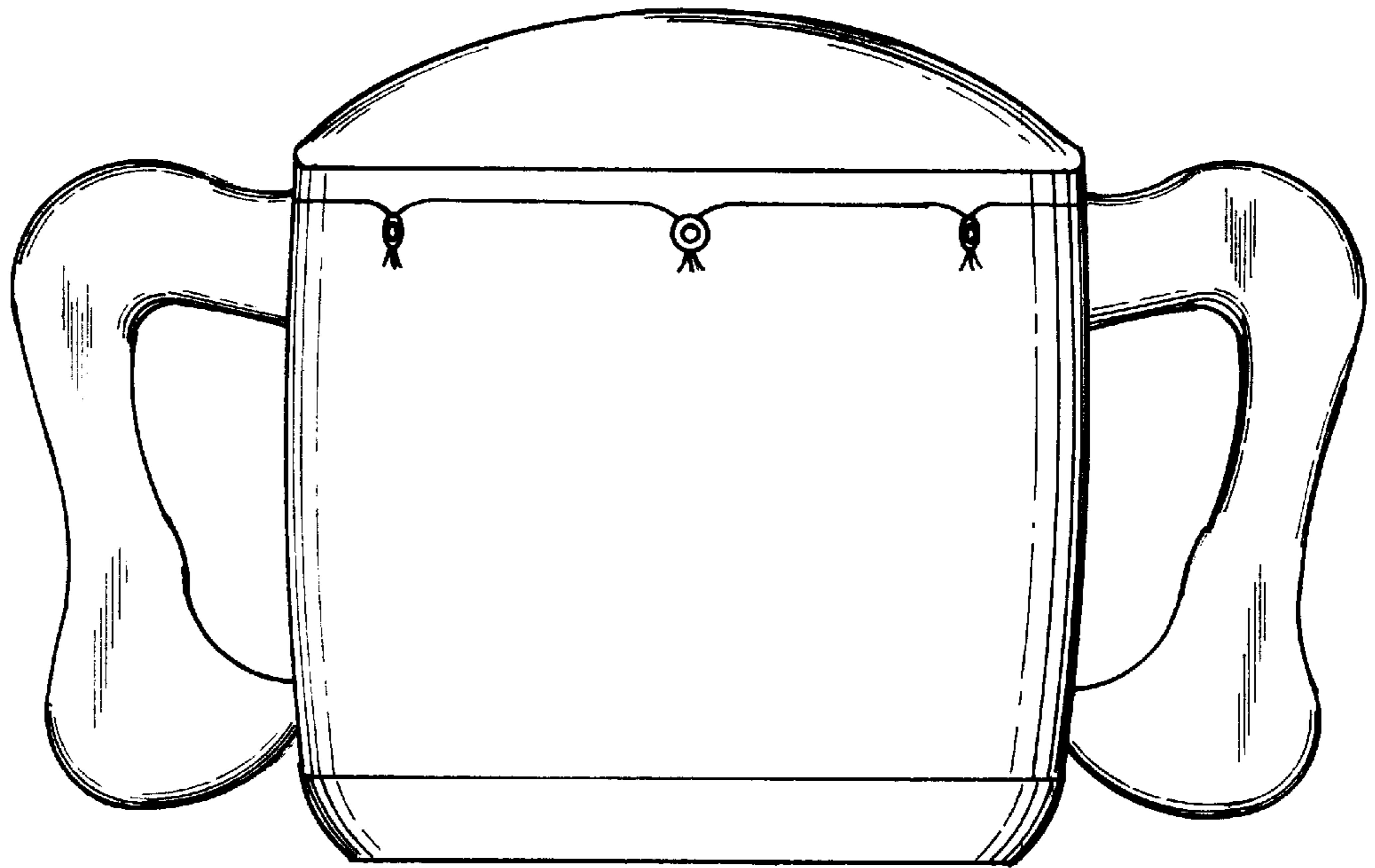


FIG. 2

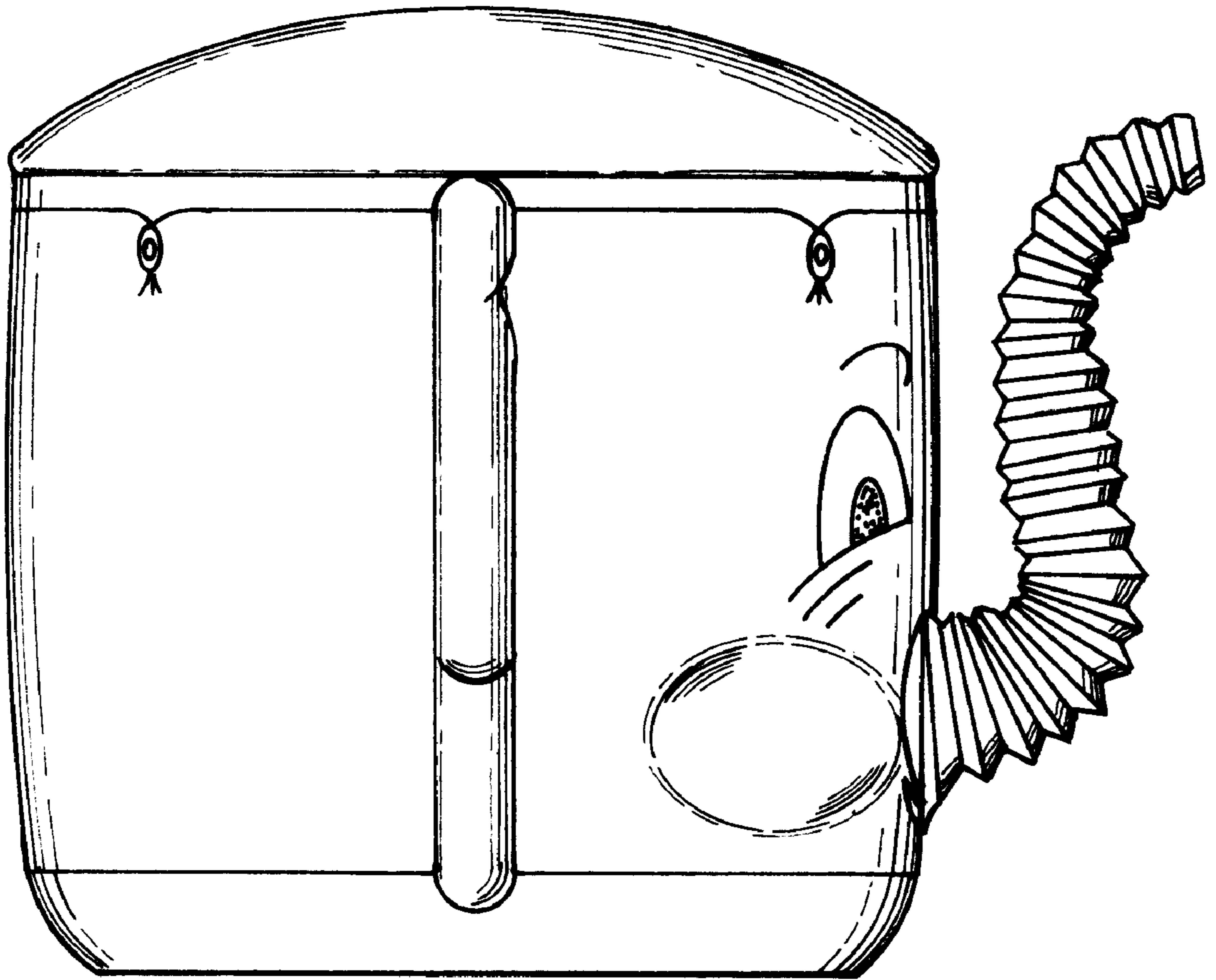


FIG. 3

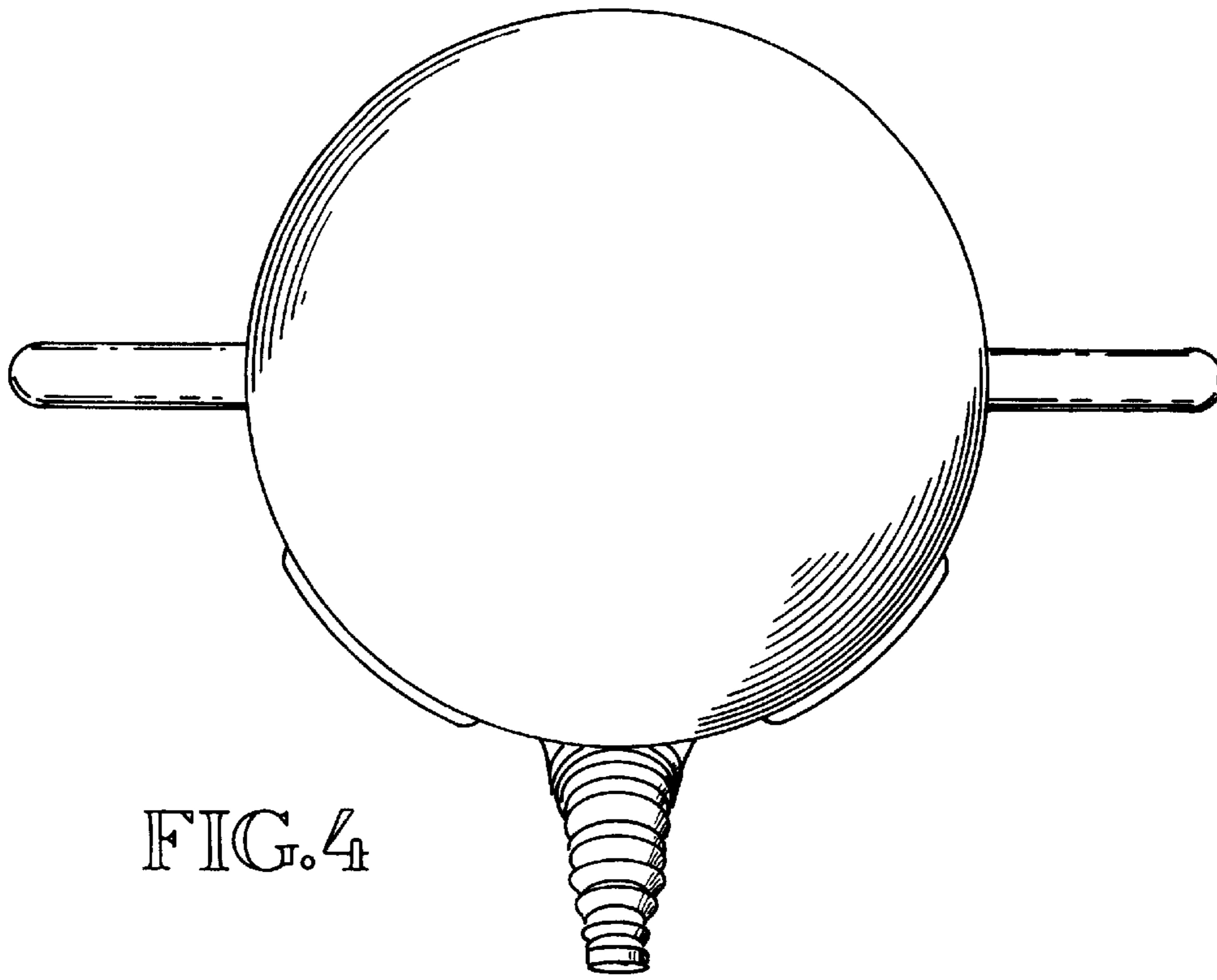


FIG. 4

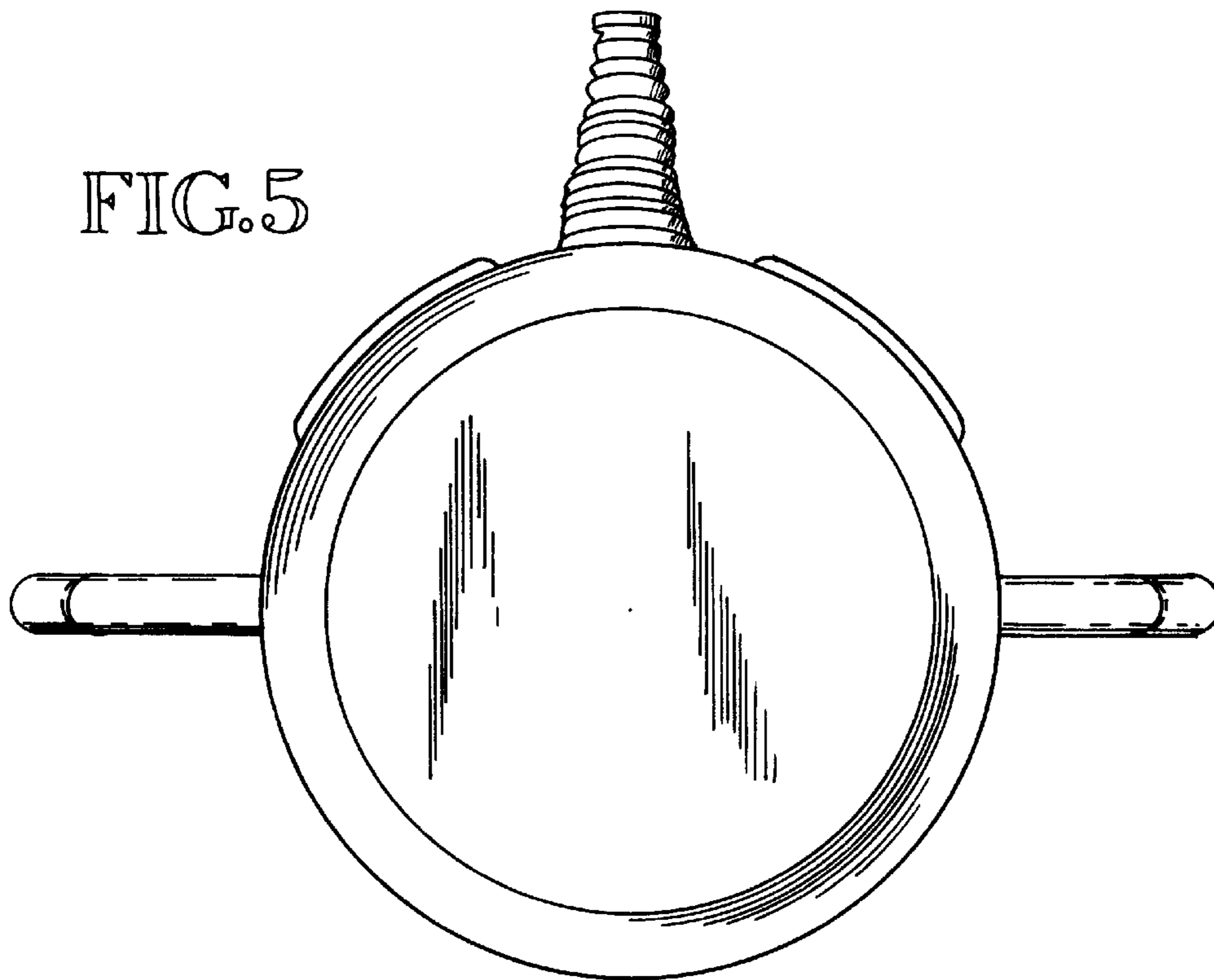


FIG. 5

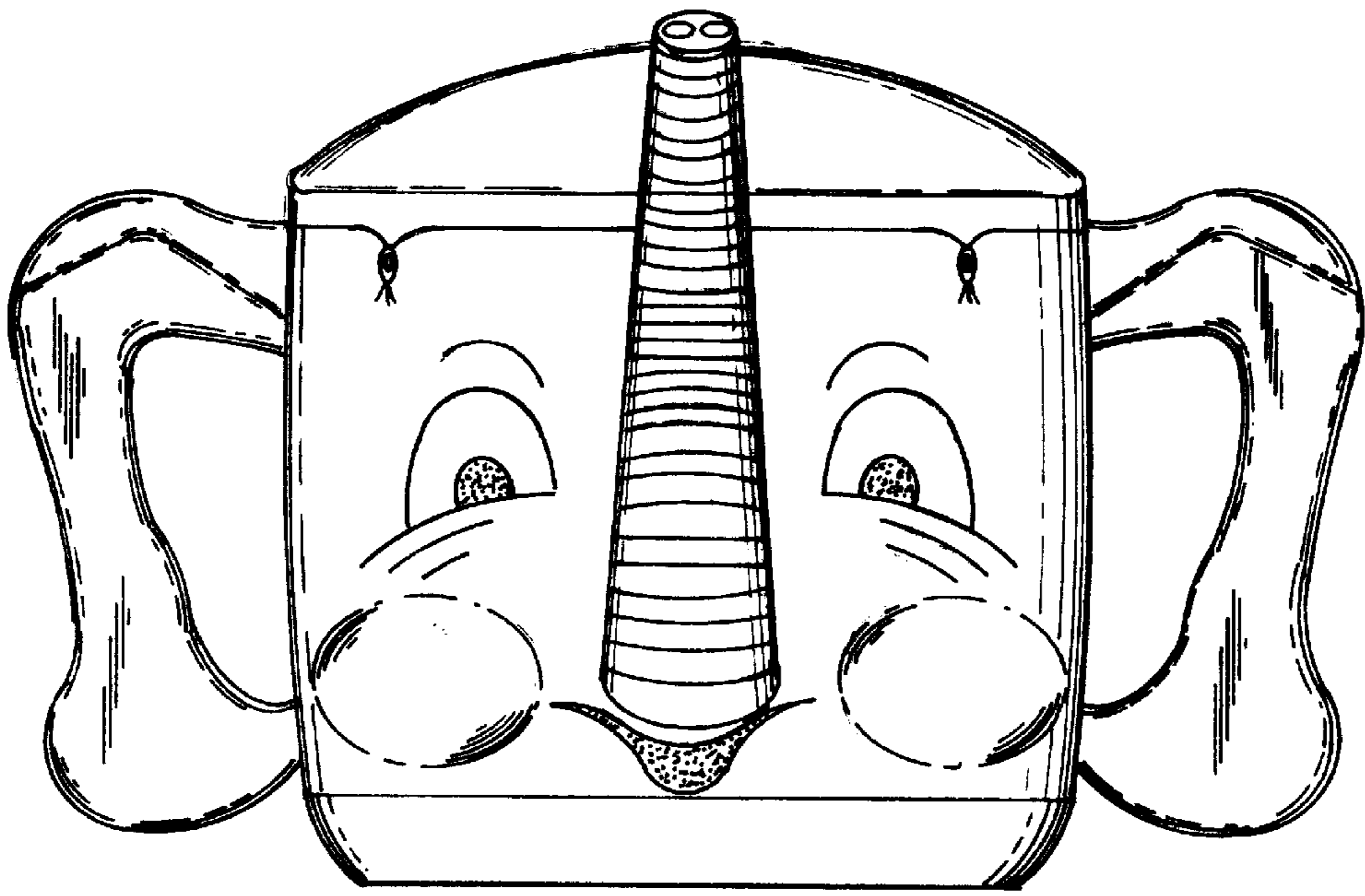


FIG. 6

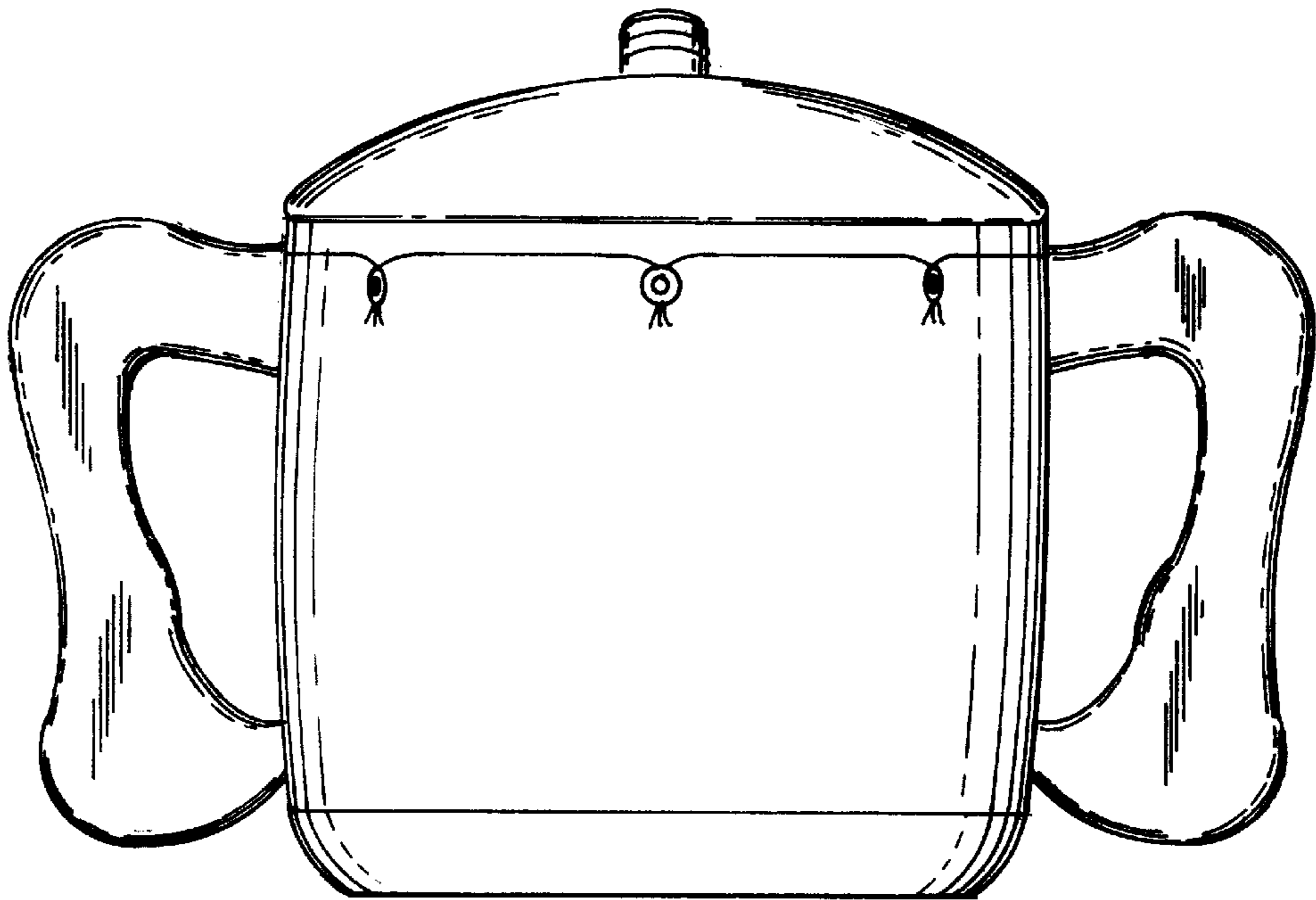


FIG. 7

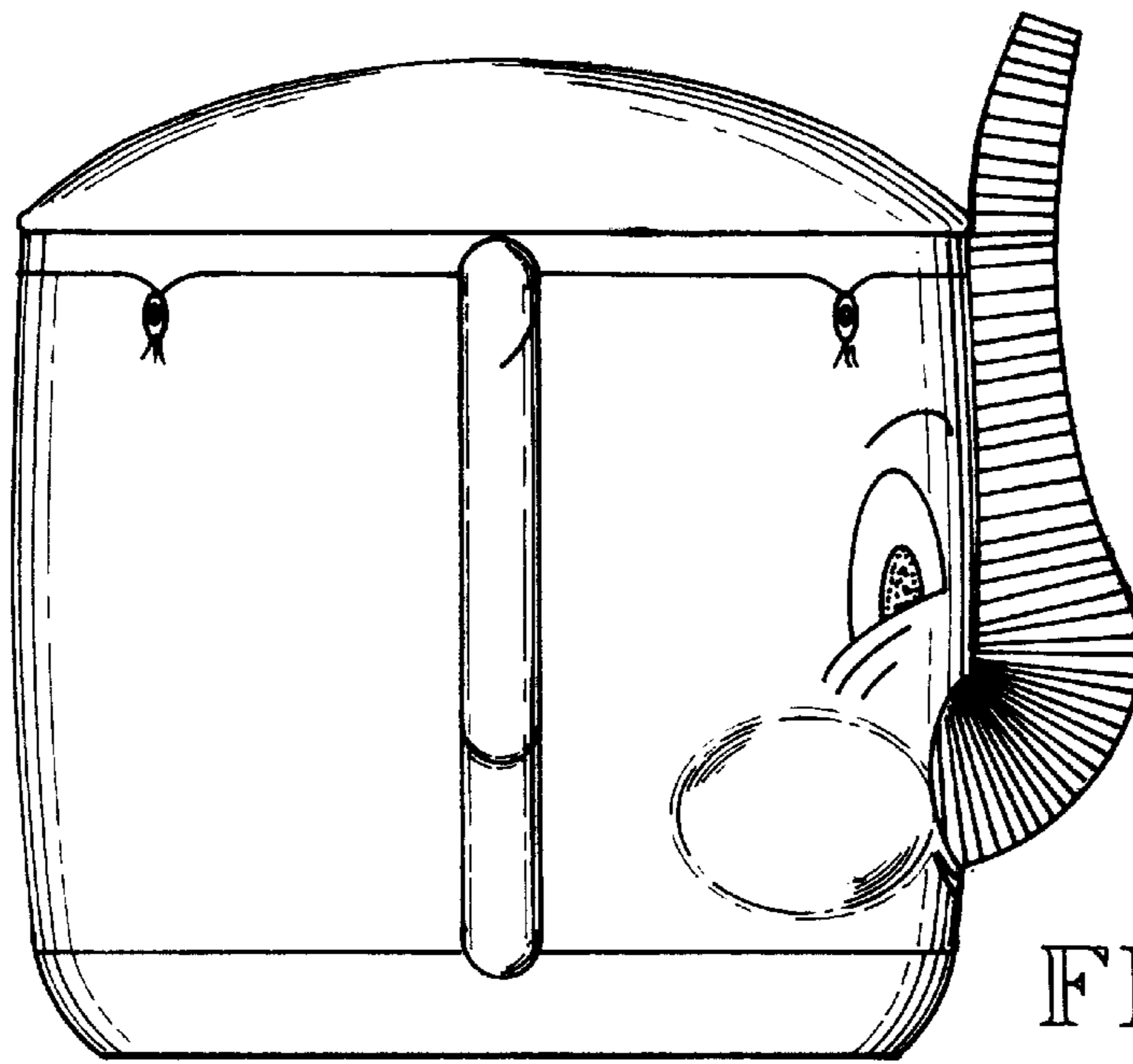


FIG. 8

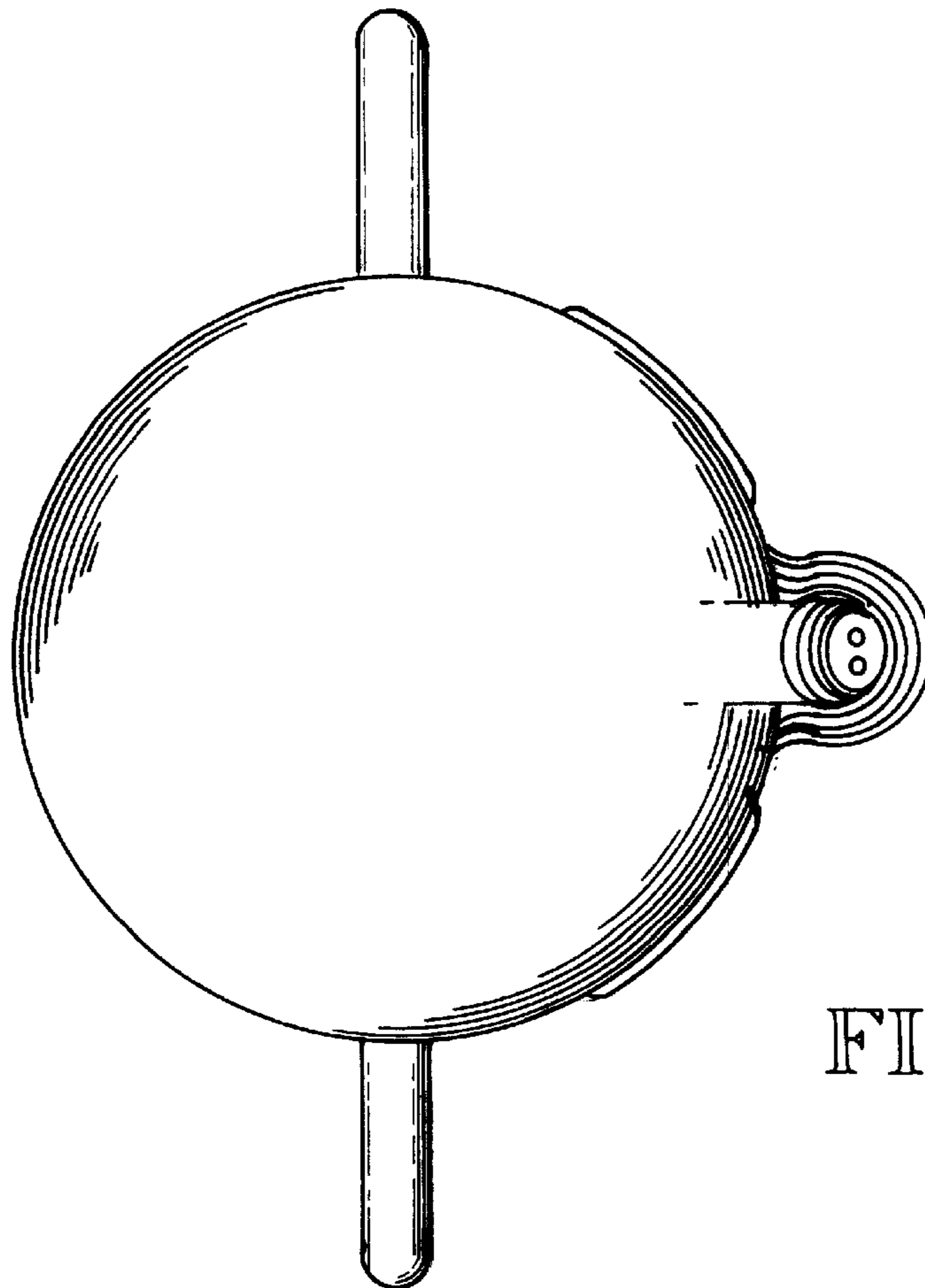


FIG. 9

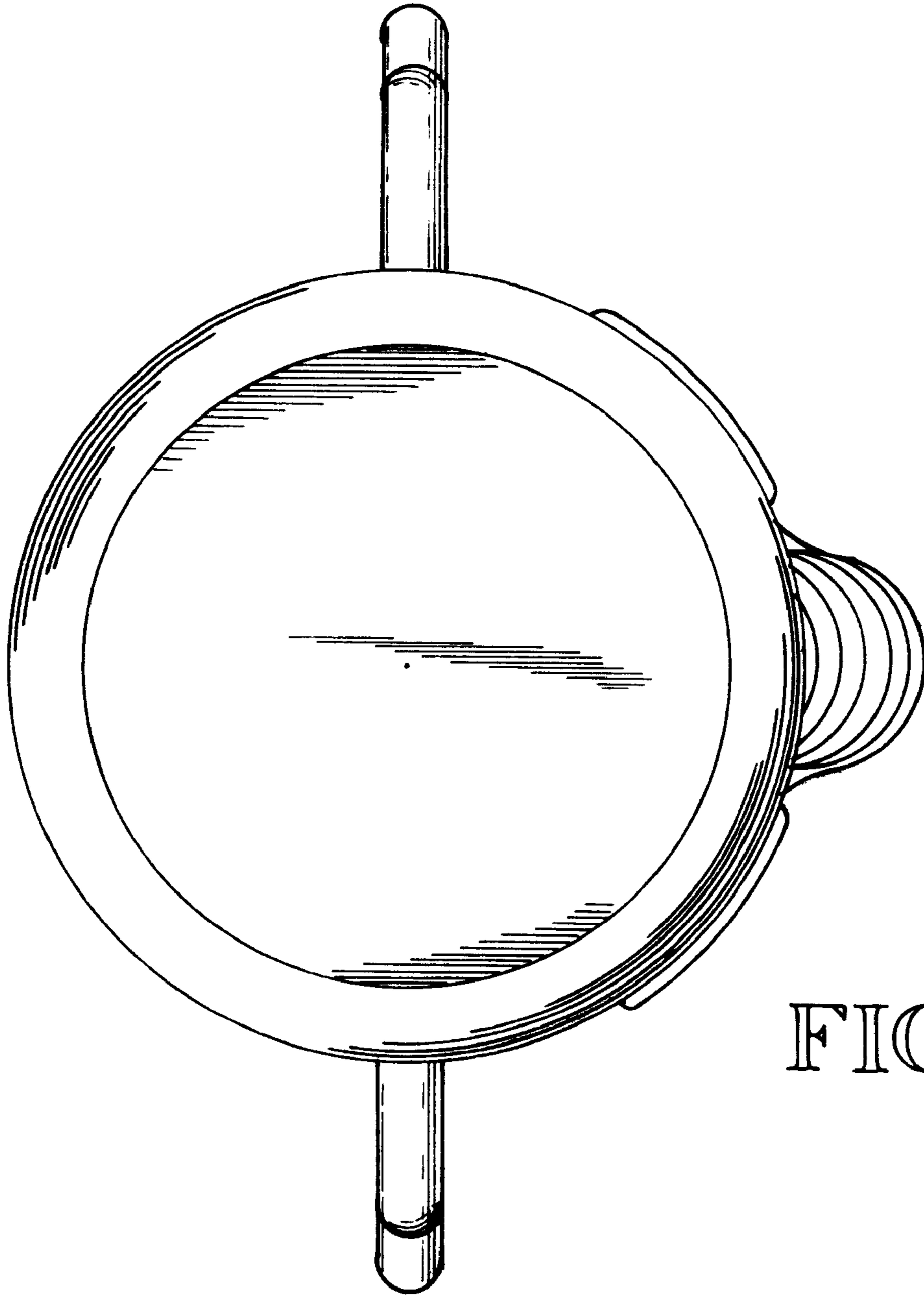


FIG. 10