



US00D427852S

United States Patent [19]

Tal et al.

[11] Patent Number: Des. 427,852

[45] Date of Patent: ** Jul. 11, 2000

[54] CUP

5,871,118 2/1999 Franzese 220/717

[75] Inventors: Elisha Tal, Macabin, Israel; Markus Diebel, San Francisco, Calif.; Patrick Gilmore, Memphis, Tenn.; Adriana Colombo-Spitzenberger, New Fairfield, Conn.; Chak Lam Chung, Fremont; Joseph W. Yang, Castro Valley, both of Calif.

Primary Examiner—M. N. Pandozzi
Attorney, Agent, or Firm—Fitzpatrick, Cella, Harper & Scinto

[73] Assignee: PepsiCo, Inc., Purchase, N.Y.

[**] Term: 14 Years

[57] CLAIM
The ornamental design for a cup, as shown and described.

[21] Appl. No.: 29/091,992

[22] Filed: Aug. 10, 1998

DESCRIPTION

Related U.S. Application Data

[63] Continuation-in-part of application No. 29/085,393, Mar. 23, 1998, abandoned.

[51] LOC (7) Cl. 07-01

[52] U.S. Cl. D7/510; D7/511; D7/509

[58] Field of Search D7/507, 510, 511, D7/523, 419, 605, 622, 392.2, 392.1, 532, 536, 533; 270/729, 717, 23.86, 715, 713, 375, 703; D9/447

FIG. 1 is a perspective view of the cup design of the present invention;

FIG. 2 is an elevational view.

FIG. 3 is an elevational view taken 90 degrees from the elevational view of FIG. 2;

FIG. 4 is an elevational view taken 180 degrees from the view of FIG. 3;

FIG. 5 is an elevational view taken 180 degrees from the view of FIG. 2;

FIG. 6 is a top plan view;

FIG. 7 is a bottom plan view;

FIG. 8 is a perspective view of another embodiment of the design of the present invention;

FIG. 9 is an elevational view of the embodiment of FIG. 8;

FIG. 10 is an elevational view taken 90 degrees from the elevational view of FIG. 9;

FIG. 11 is an elevational view taken 180 degrees from the elevational view of FIG. 10;

FIG. 12 is an elevational view taken 180 degrees from the elevational view of FIG. 9;

FIG. 13 is a top plan view of the embodiment of FIG. 8;

FIG. 14 is a bottom plan view of the embodiment of FIG. 8;

FIG. 15 is a perspective view of another embodiment of the design of the present invention;

FIG. 16 is an elevational view of the embodiment of FIG. 15;

FIG. 17 is an elevational view taken 180 degrees from the elevational view of FIG. 16;

FIG. 18 is an elevational view taken 90 degrees from the elevational view of FIG. 17;

FIG. 19 is an elevational view taken 180 degrees from the elevational view of FIG. 18;

FIG. 20 is a top plan view of the embodiment of FIG. 15;

FIG. 21 is a bottom plan view of the embodiment of FIG. 15;

FIG. 22 is a perspective view of another embodiment of the design of the present invention;

[56] References Cited

U.S. PATENT DOCUMENTS

- D. 272,793 2/1984 Appel et al. D7/511
- D. 289,720 5/1987 Maher D7/511
- D. 336,429 6/1993 Petoskey D9/447
- D. 342,418 12/1993 Stymeist D9/447
- D. 358,294 5/1995 Letica D7/511 X
- D. 359,417 6/1995 Chen D7/510
- D. 360,579 7/1995 Accarias D9/447
- D. 367,402 2/1996 Bates et al. D7/510 X
- D. 379,738 6/1997 Liming et al. D7/511
- D. 382,174 8/1997 Grimm D7/510
- D. 382,247 8/1997 Randolph D7/510
- D. 383,038 9/1997 Willbrandt D7/523 X
- 4,123,225 10/1978 Whattam 220/375
- 4,448,316 5/1984 Hiroshige D7/511 X
- 4,508,235 4/1985 Steele et al. D7/511 X
- 5,312,014 5/1994 Hamlin 220/703

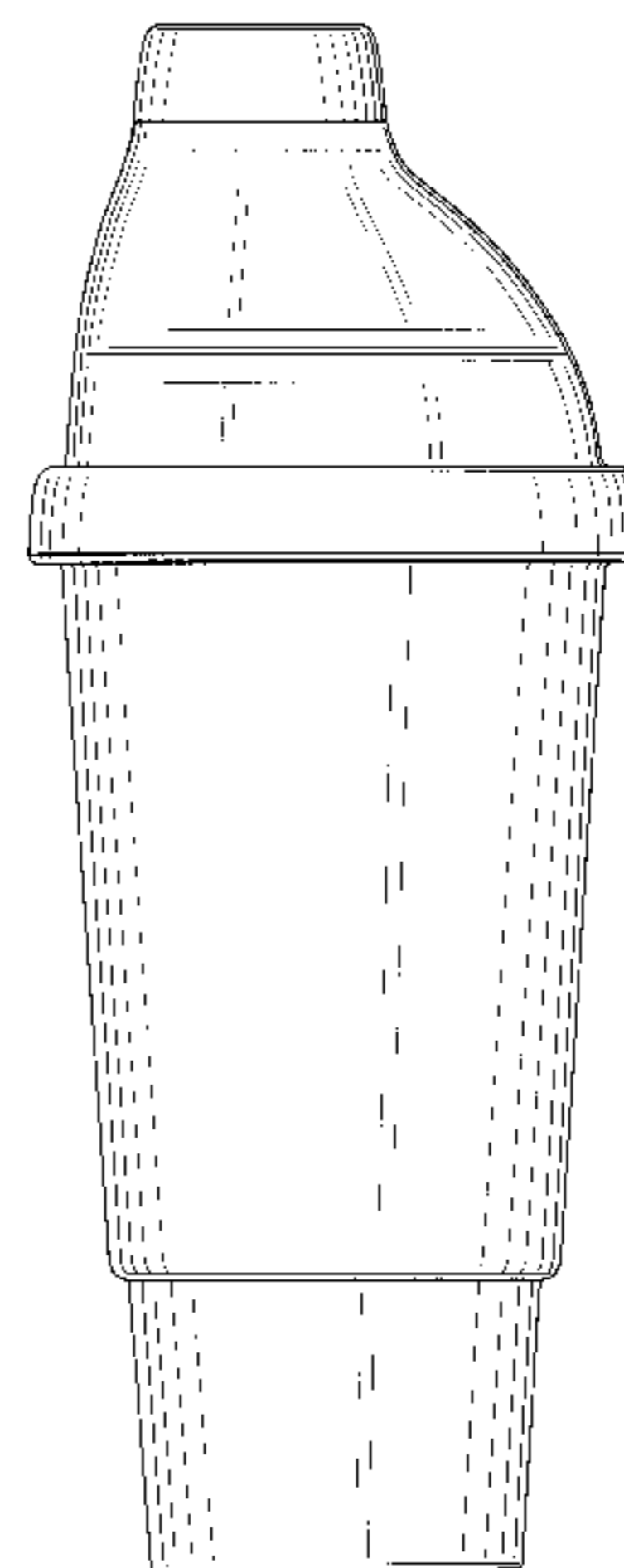
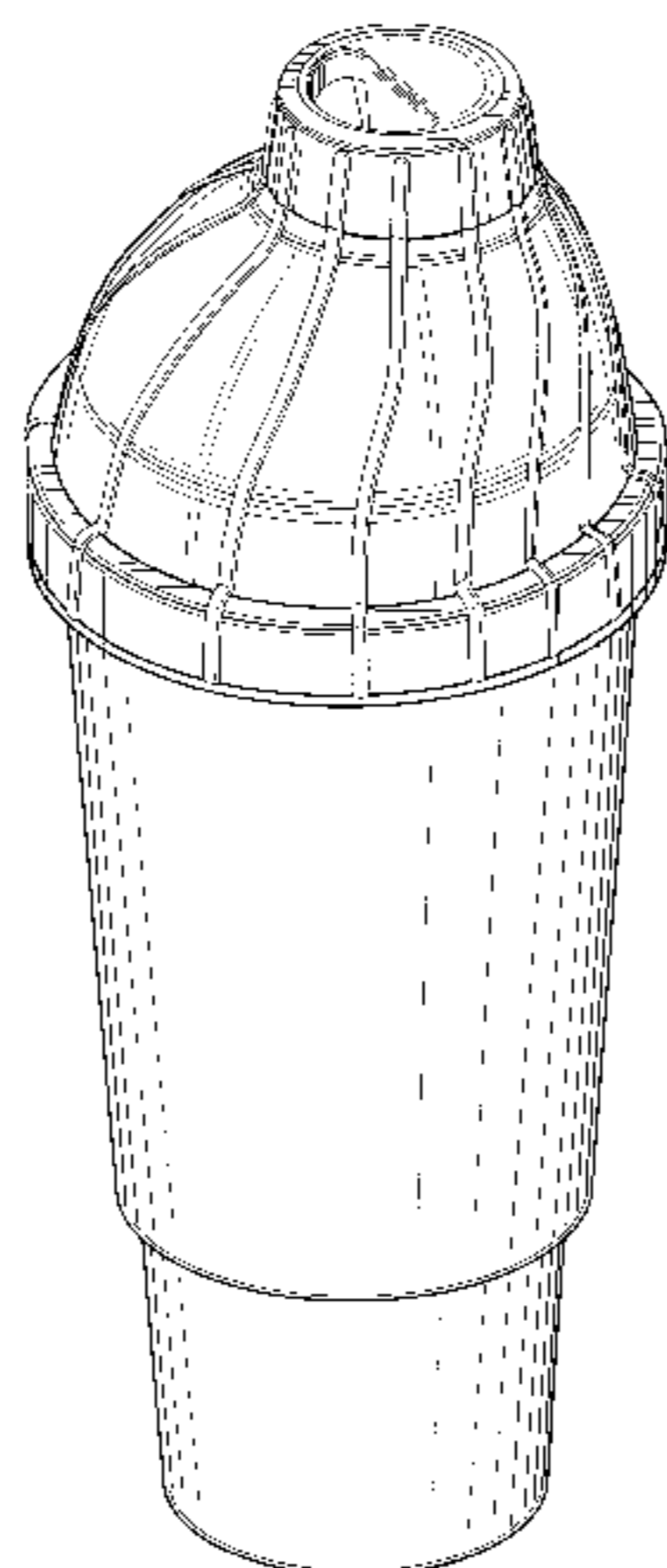


FIG. 23 is an elevational view of the embodiment of FIG. 22;

FIG. 24 is an elevational view taken 180 degrees from the elevational view of FIG. 23;

FIG. 25 is an elevational view taken 90 degrees from the elevational view of FIG. 23;

FIG. 26 is an elevational view taken 180 degrees from the elevational view of FIG. 25;

FIG. 27 is a top plan view of the embodiment of FIG. 22;

FIG. 28 is a bottom plan view of the embodiment of FIG. 22;

FIG. 29 is a perspective view of another embodiment of the design of the present invention;

FIG. 30 is an elevational view of the embodiment of FIG. 27;

FIG. 31 is an elevational view taken 90 degrees from the elevational view of FIG. 30;

FIG. 32 is an elevational view taken 180 degrees from the elevational view of FIG. 30;

FIG. 33 is an elevational view taken 180 degrees from the elevational view of FIG. 31;

FIG. 34 is a top plan view of the embodiment of FIG. 29;

FIG. 35 is a bottom plan view of the embodiment of FIG. 29;

FIG. 36 is a perspective view of another embodiment of the design of the present invention;

FIG. 37 is an elevational view of the embodiment of FIG. 36;

FIG. 38 is an elevational view taken 180 degrees from the elevational view of FIG. 37;

FIG. 39 is an elevational view taken 90 degrees from the elevational view of FIG. 37;

FIG. 40 is an elevational view taken 180 degrees from the elevational view of FIG. 39;

FIG. 41 is a top plan view of the embodiment of FIG. 36; and,

FIG. 42 is a bottom plan view of the embodiment of FIG. 36.

1 Claim, 28 Drawing Sheets

FIG. 1

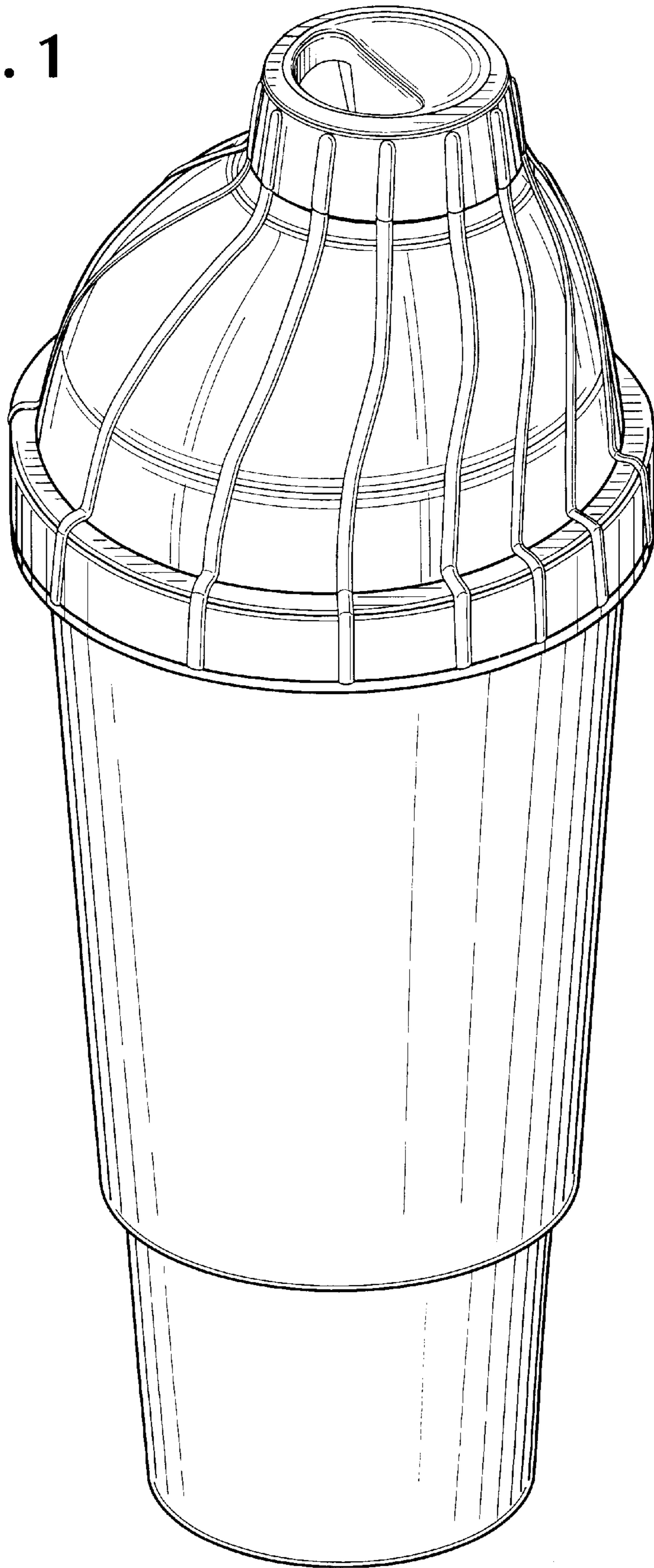


FIG. 2

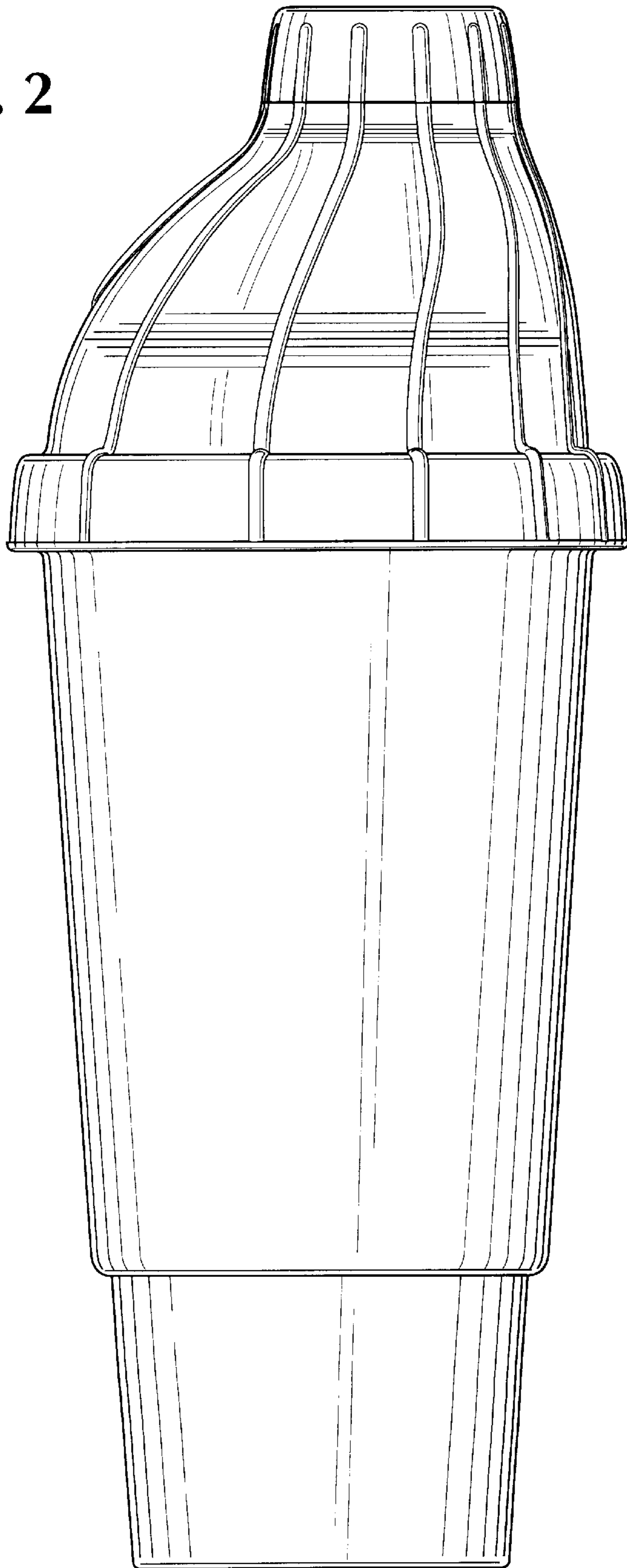


FIG. 3

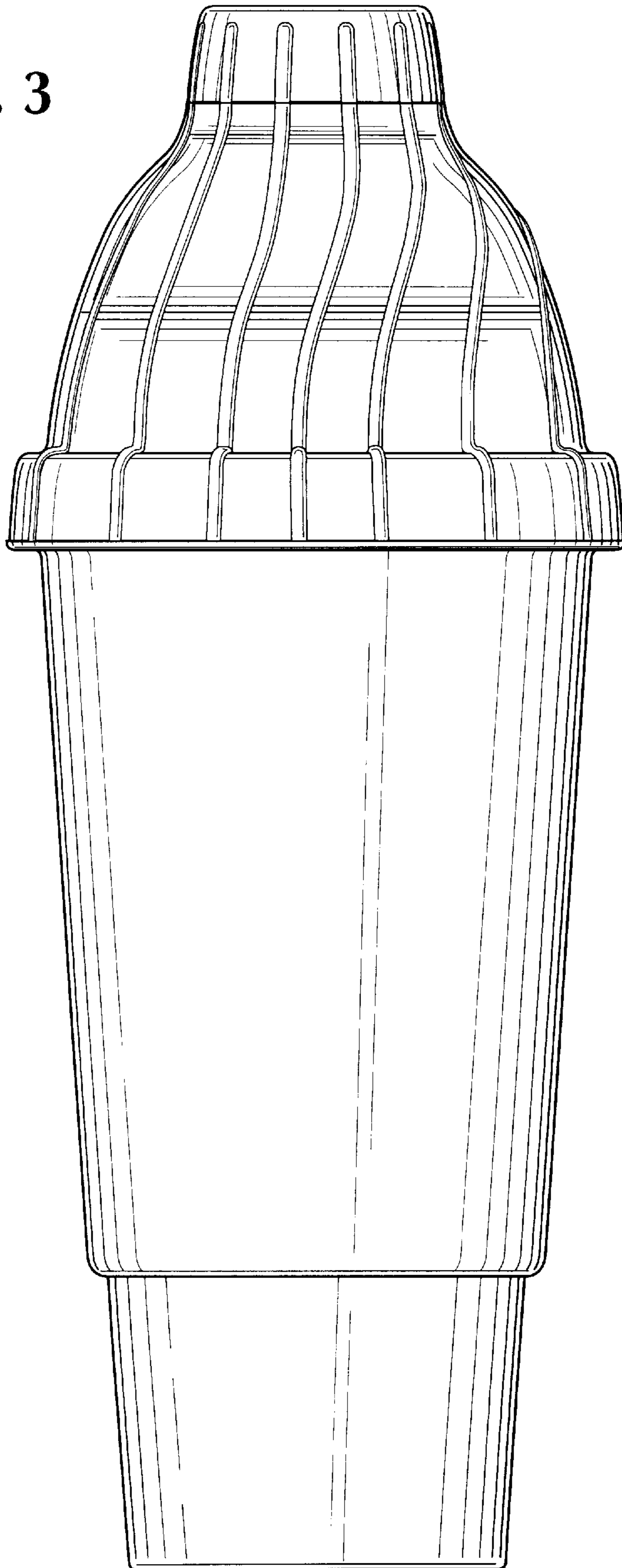


FIG. 4

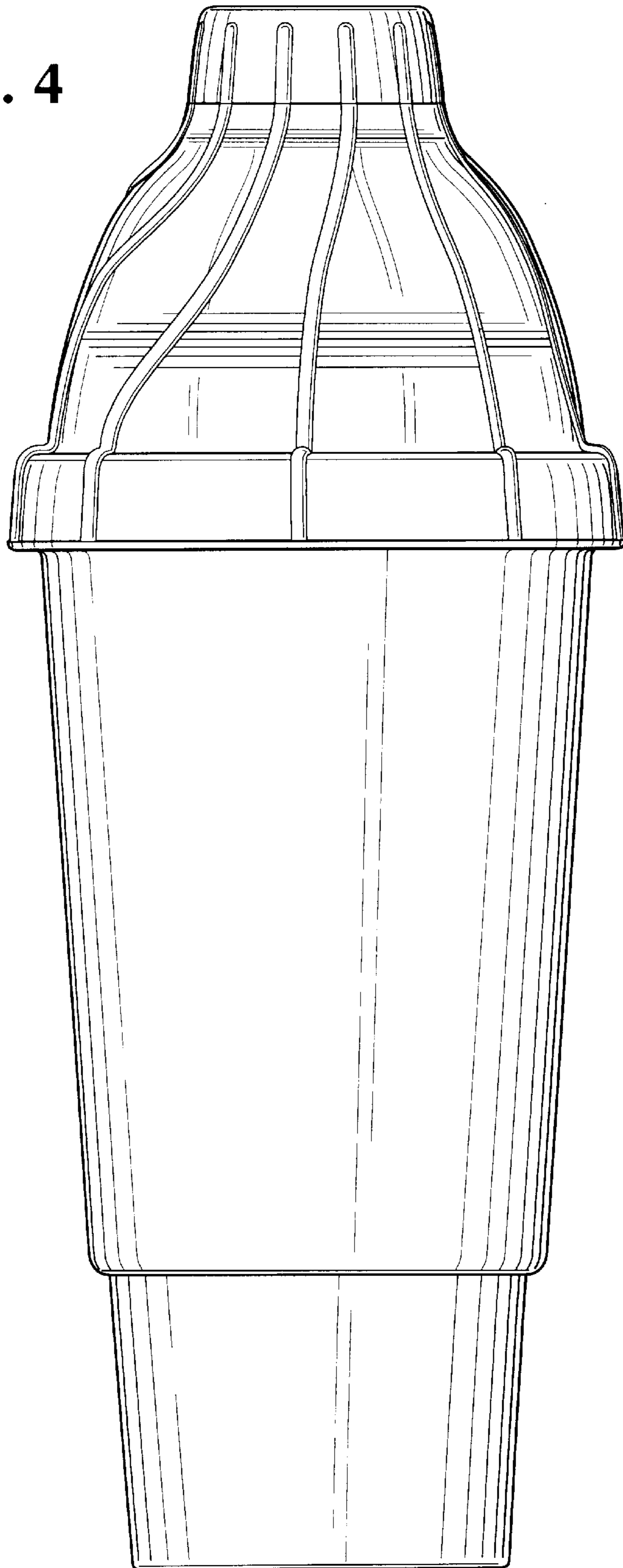


FIG. 5

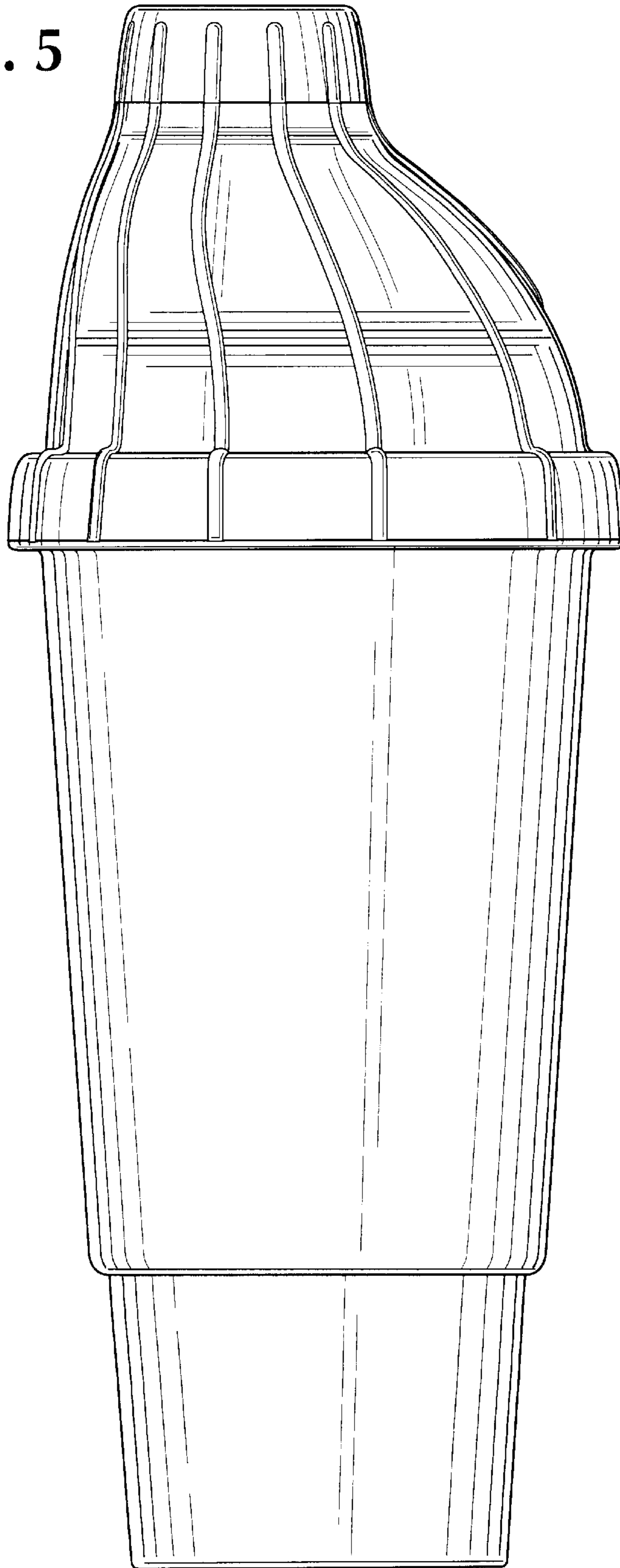


FIG. 6

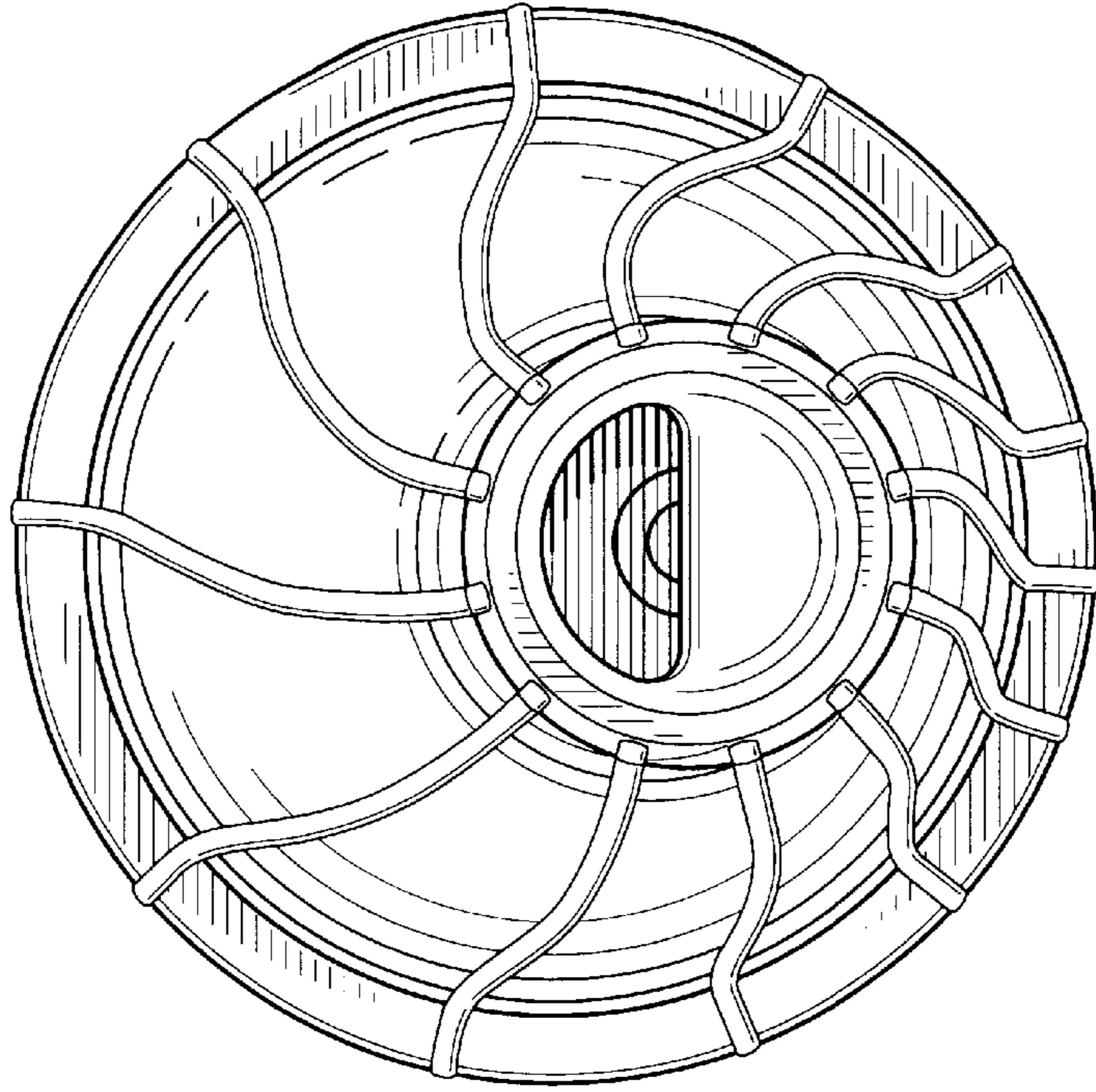


FIG. 7

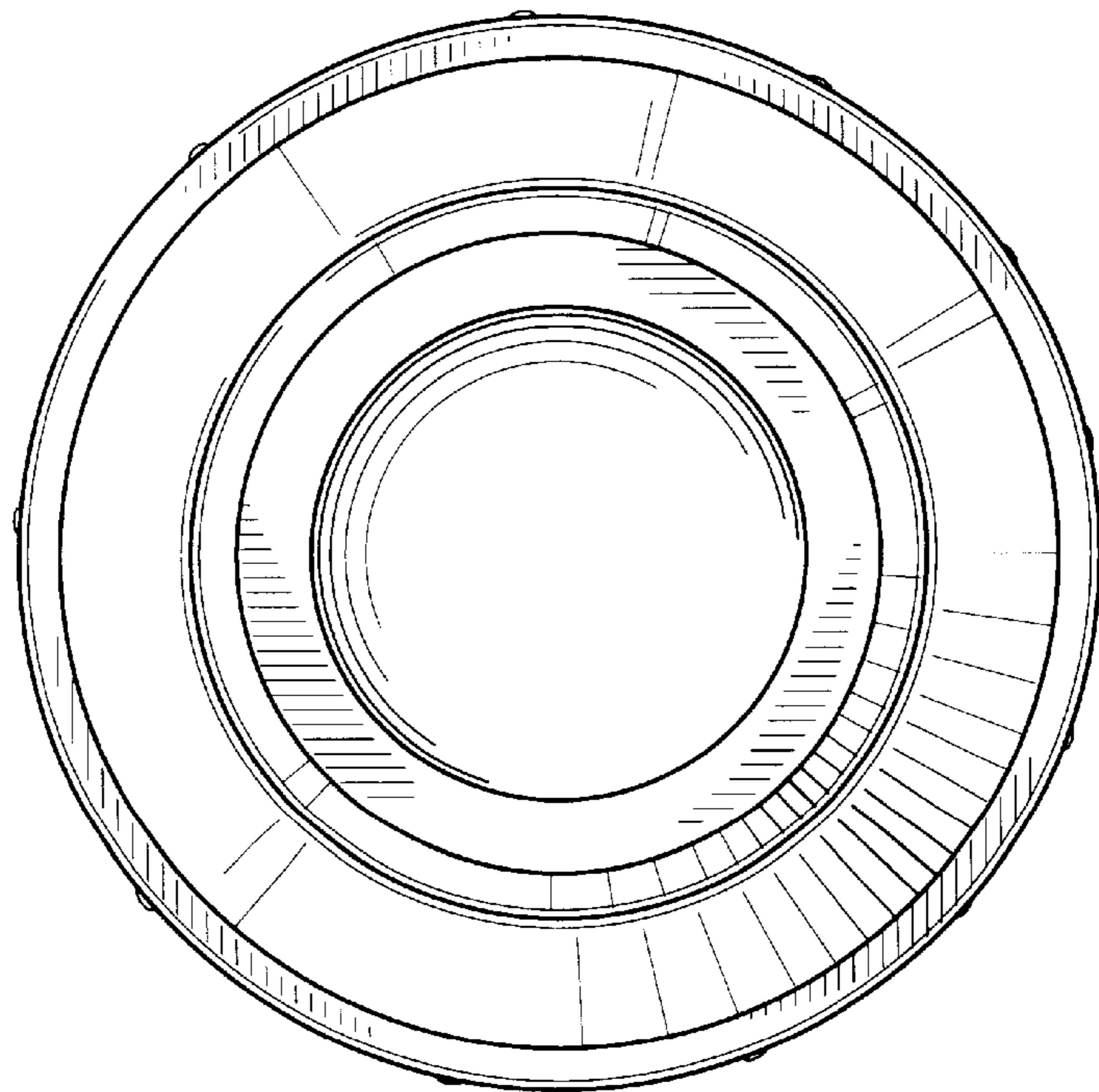


FIG. 8

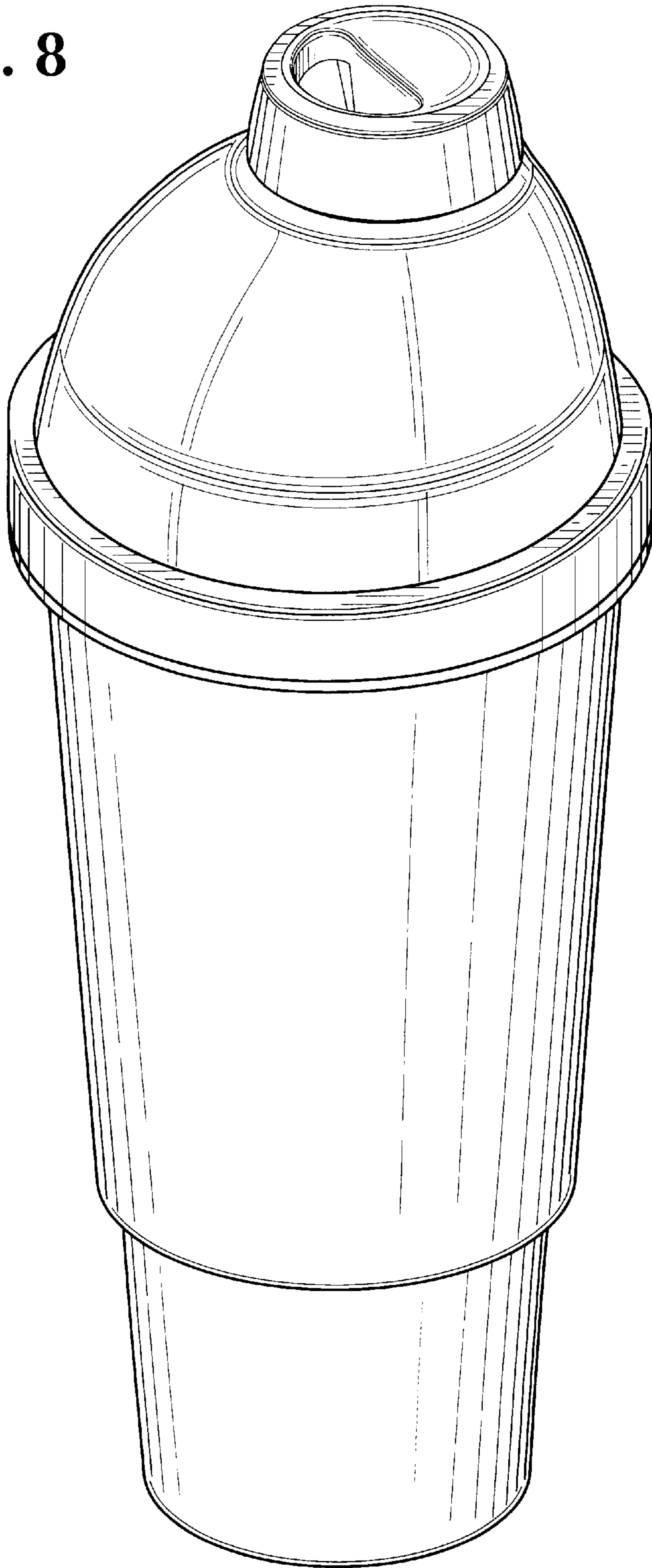


FIG. 9

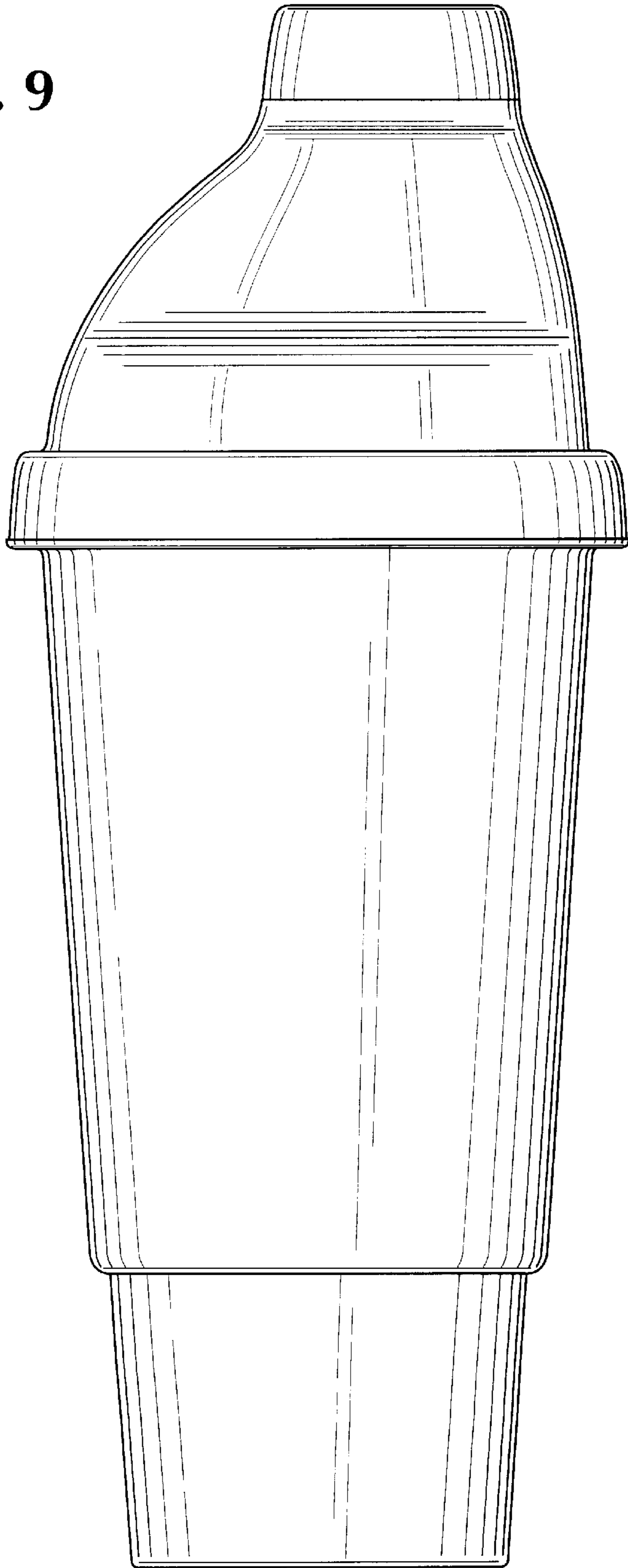


FIG. 10

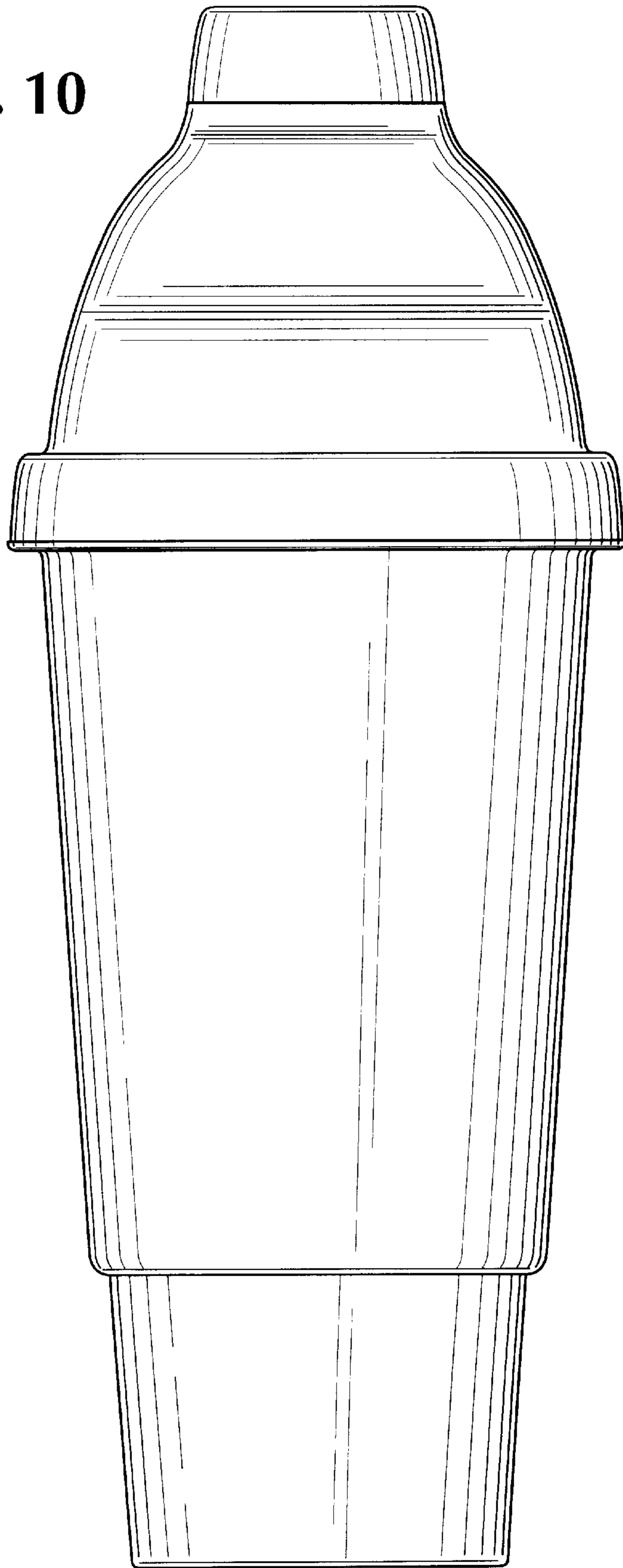


FIG. 11

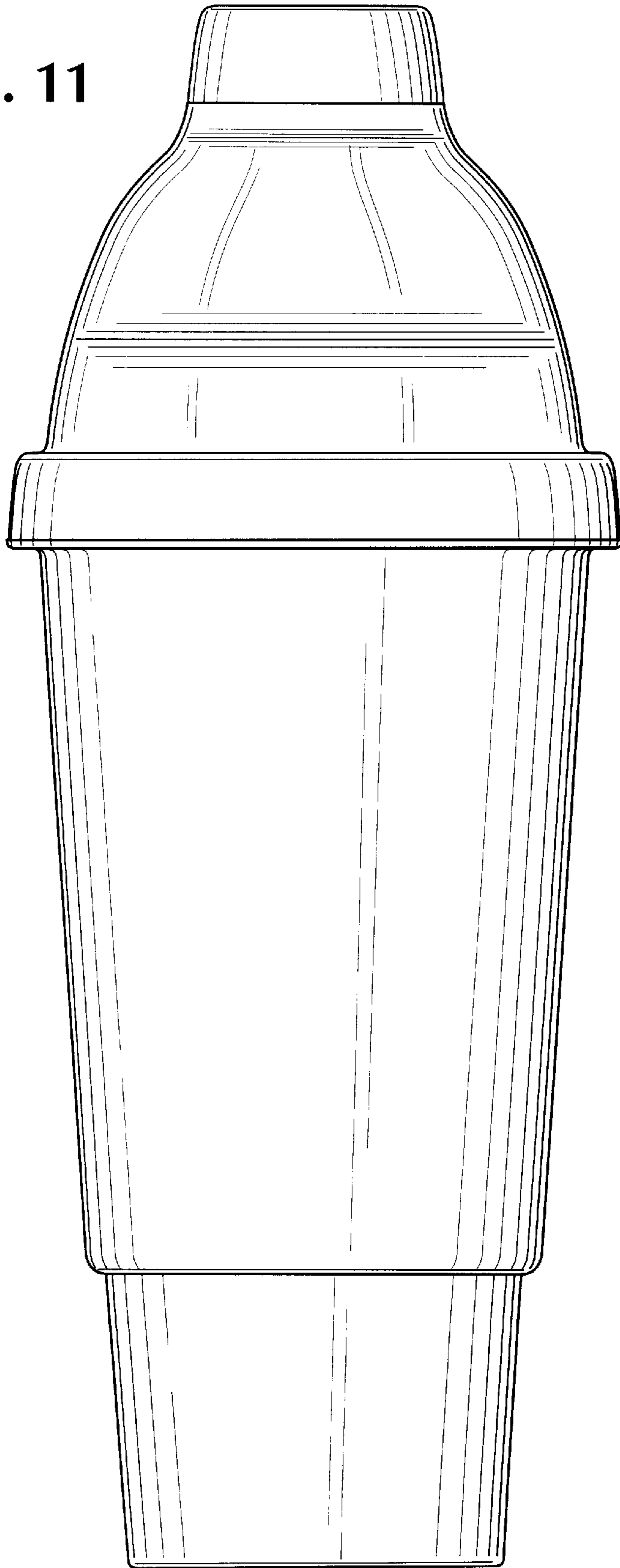


FIG. 12

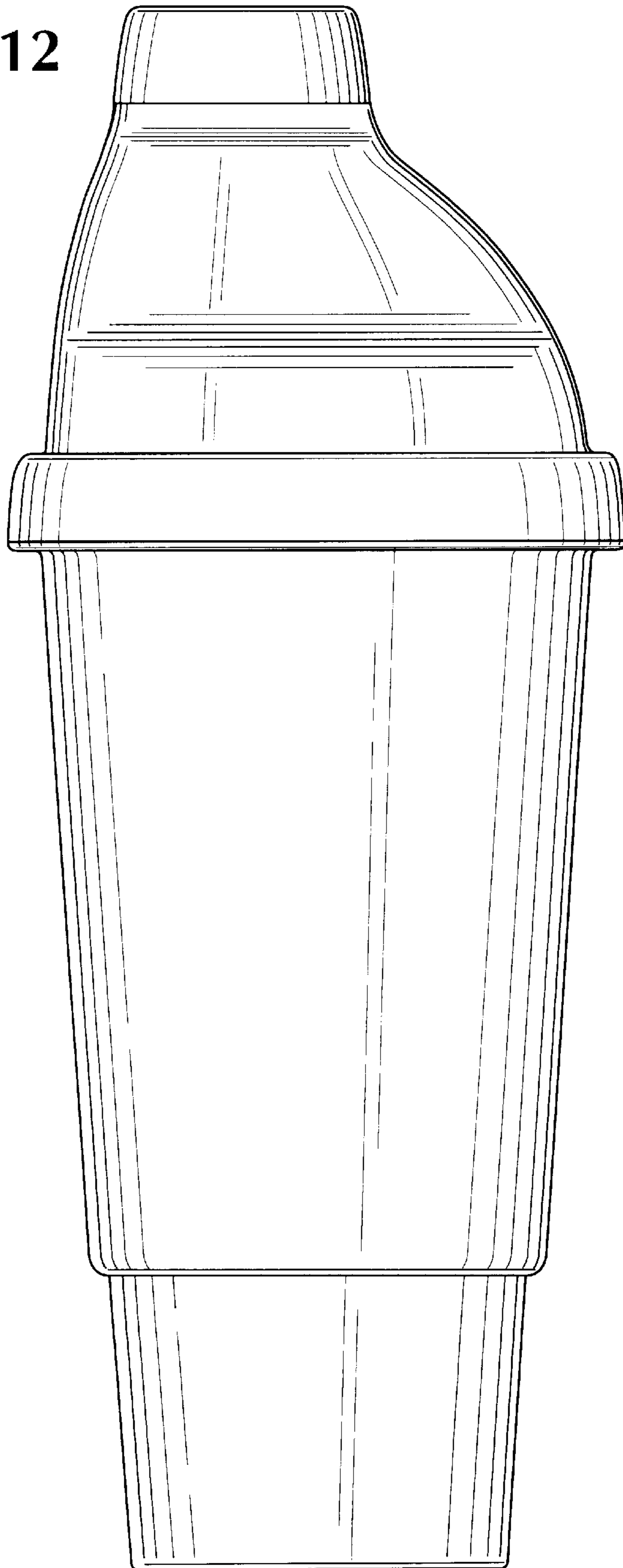


FIG. 13

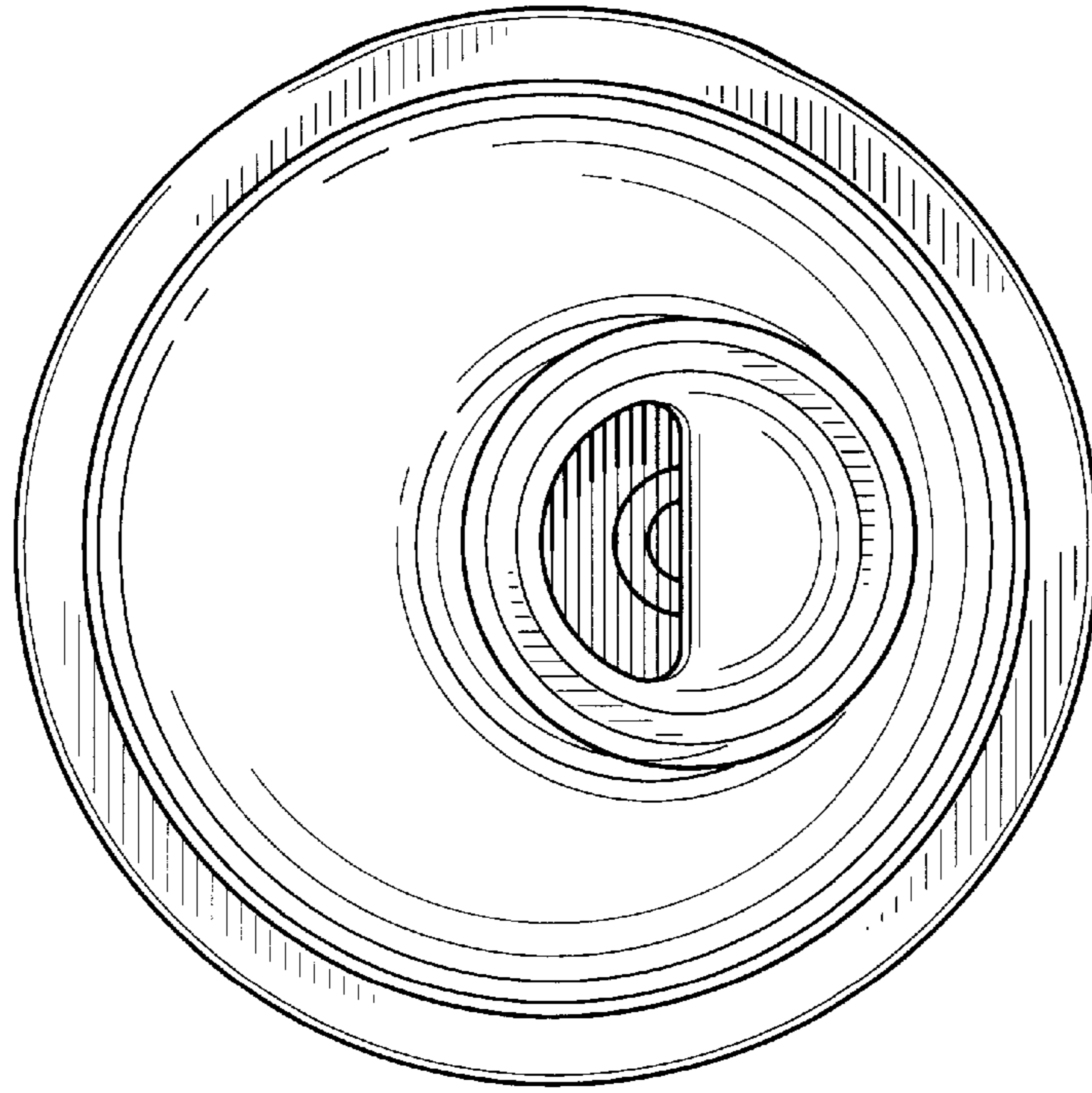


FIG. 14

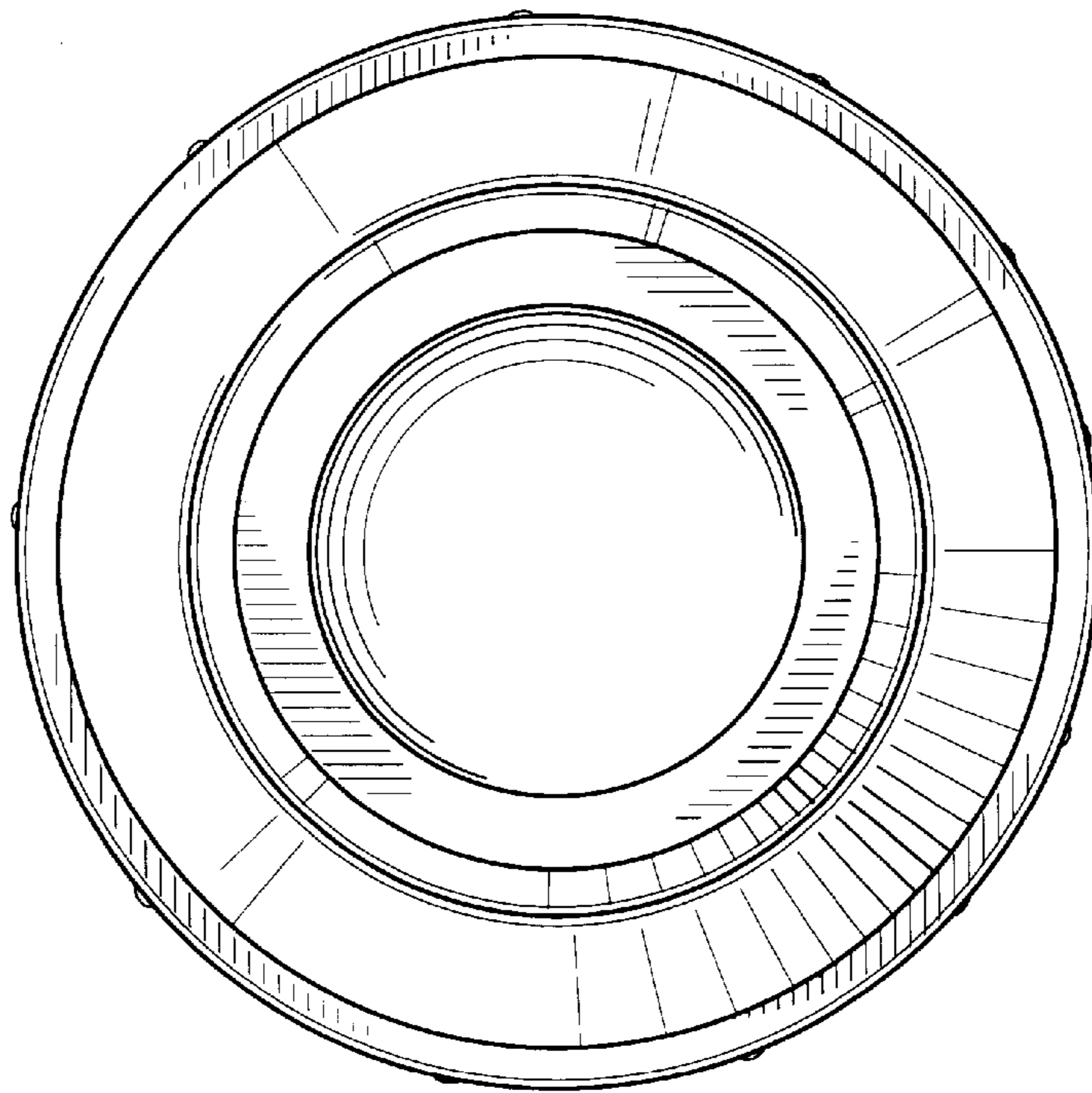


FIG. 15

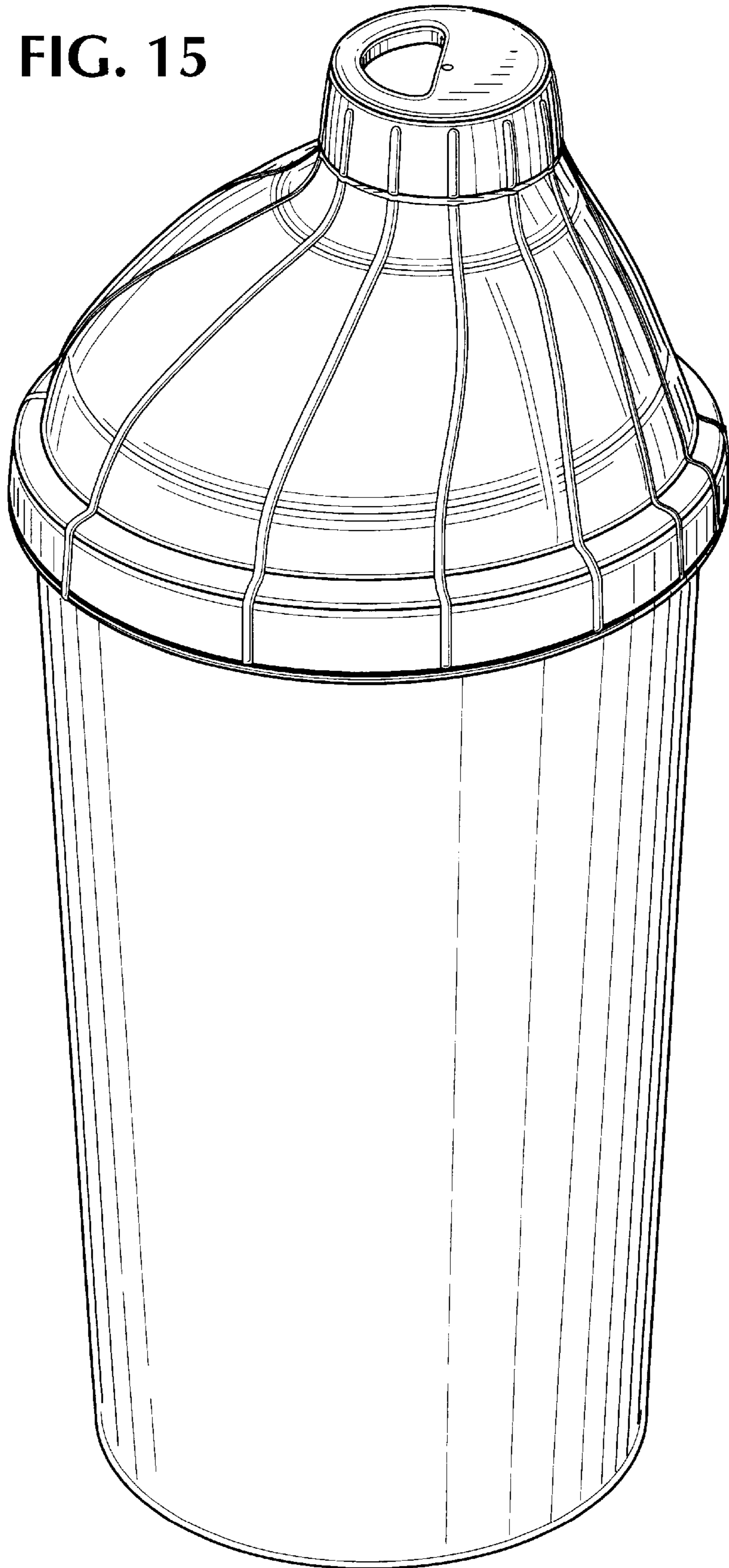


FIG. 16

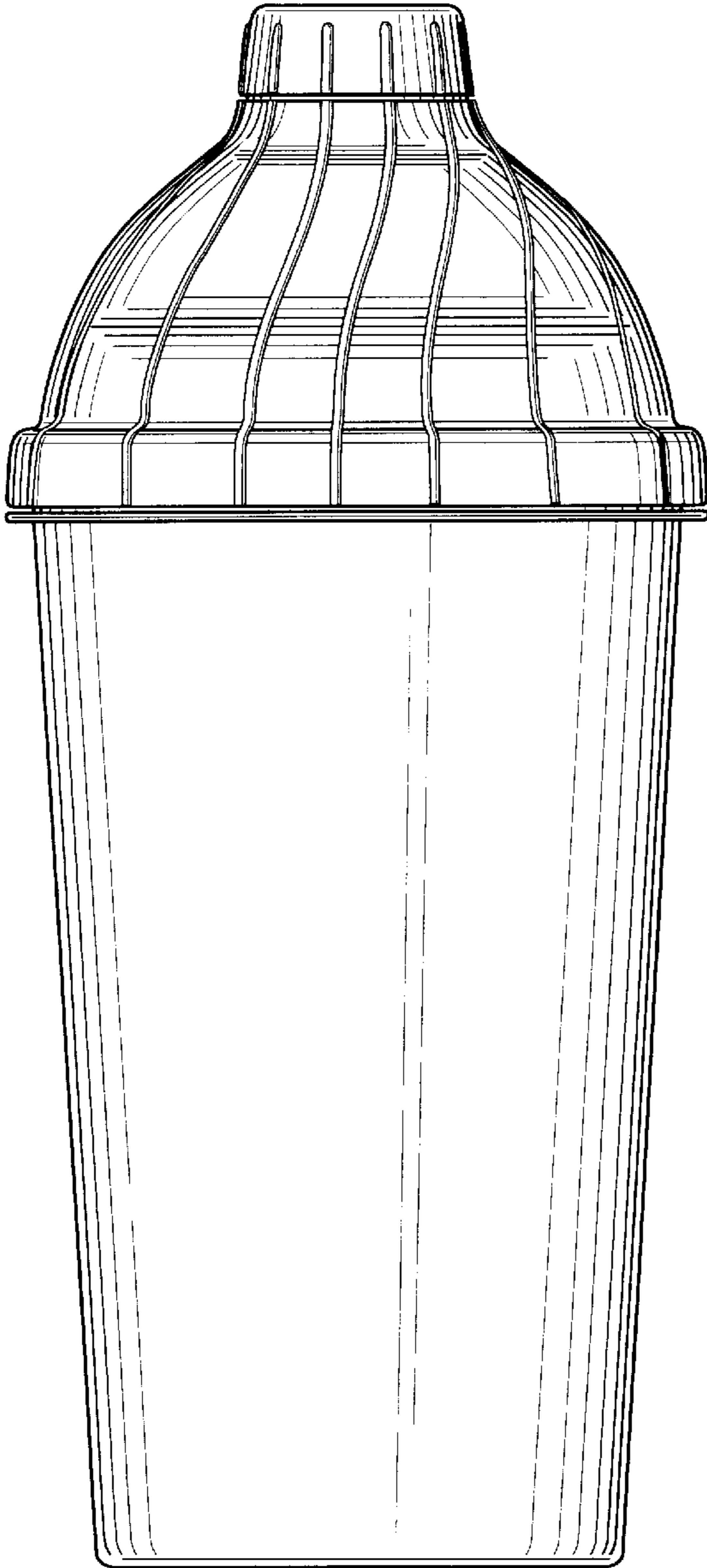


FIG. 17

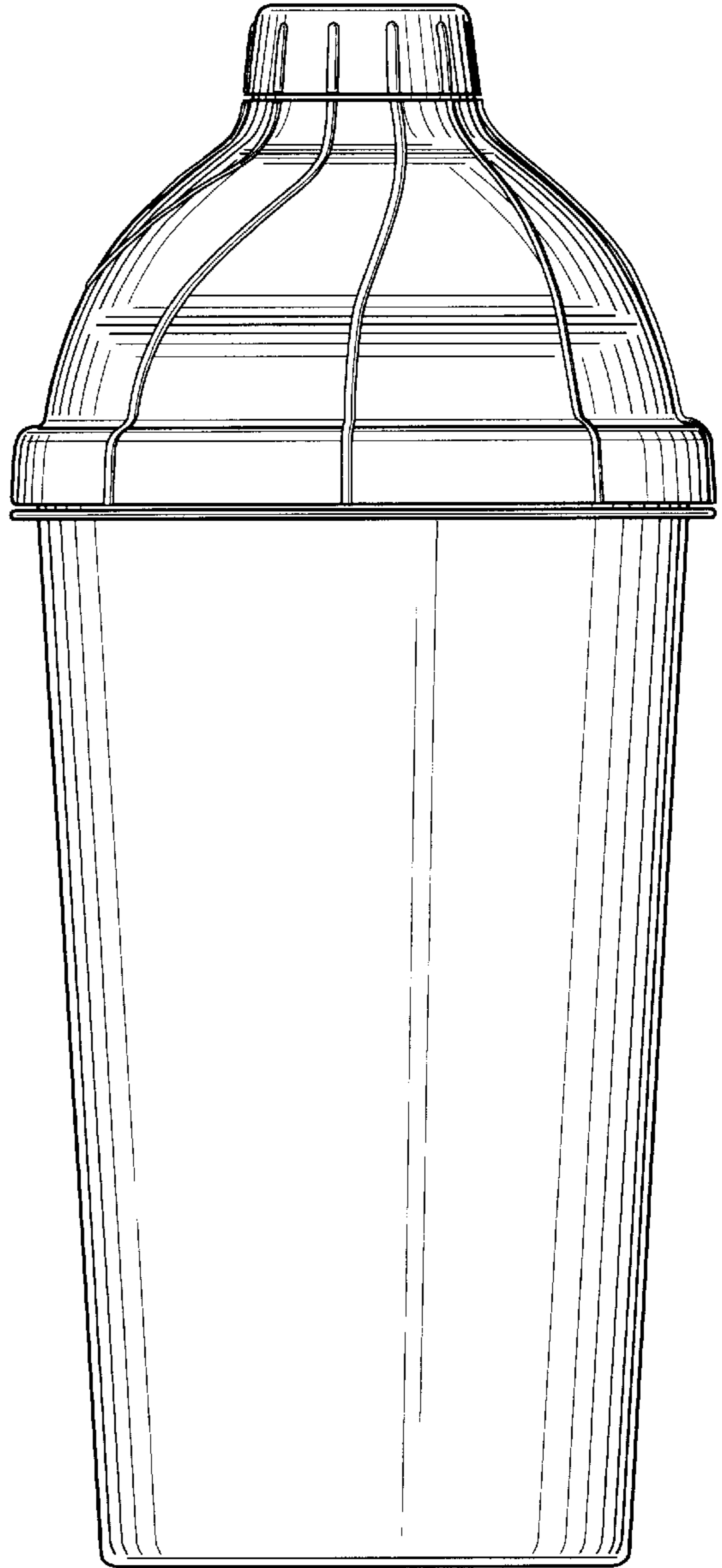


FIG. 18

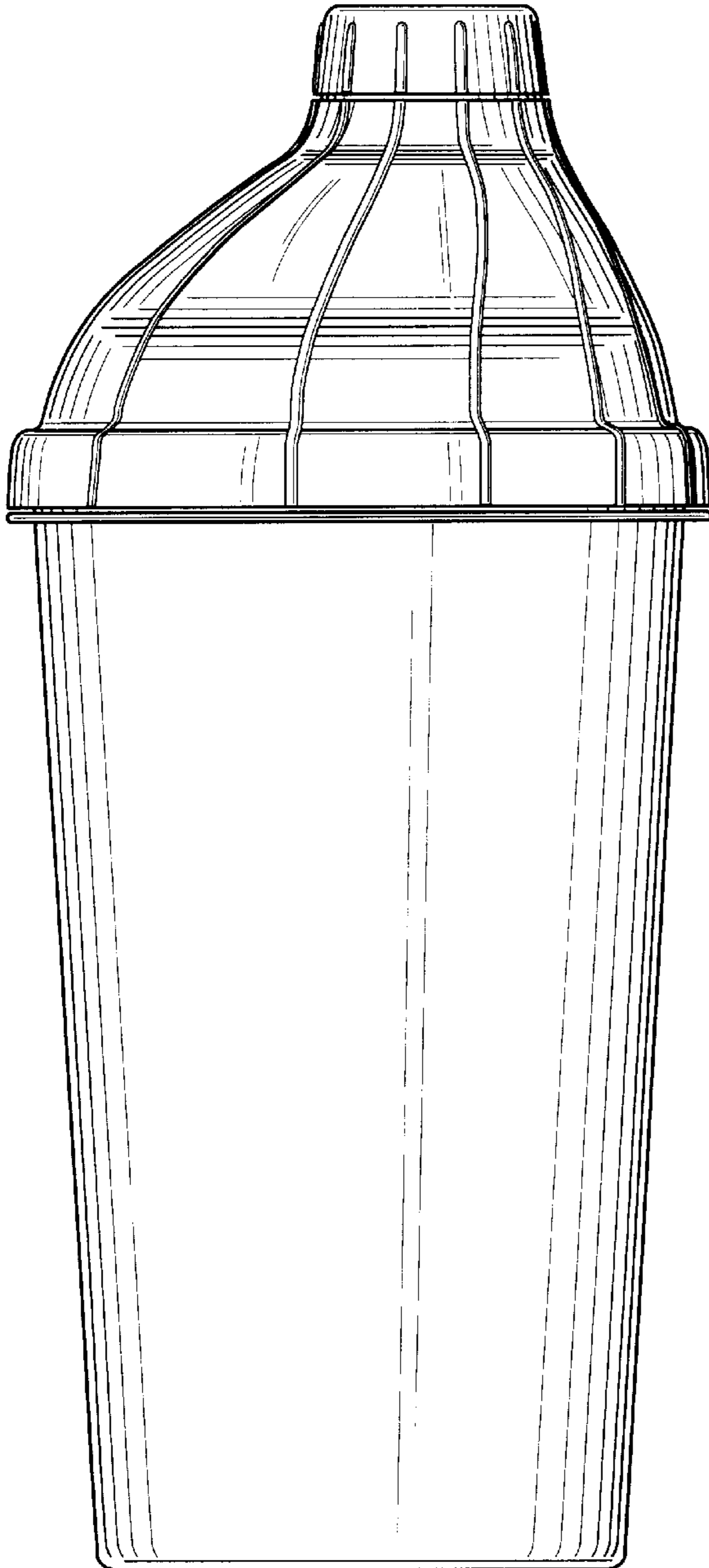


FIG. 19

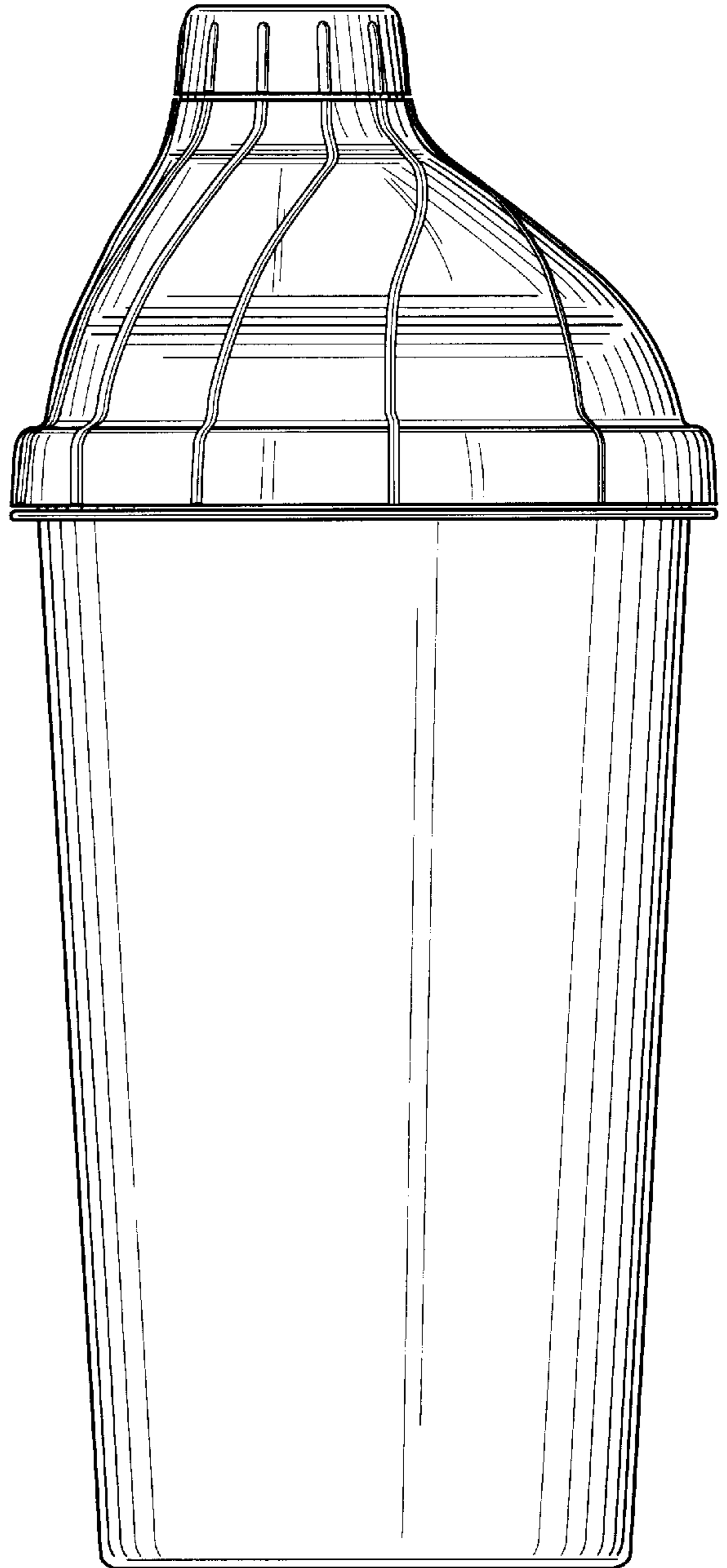


FIG. 20

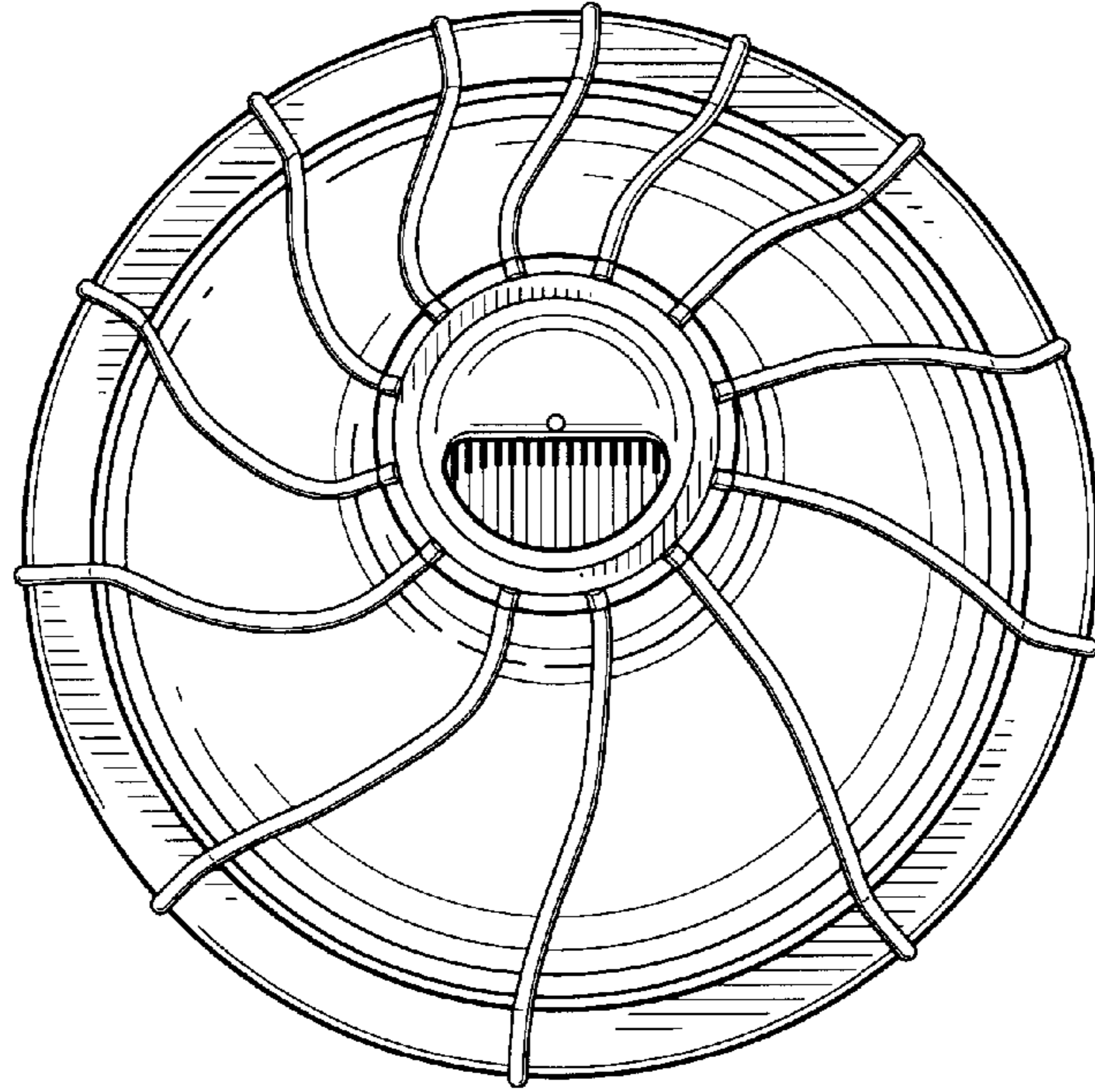


FIG. 21

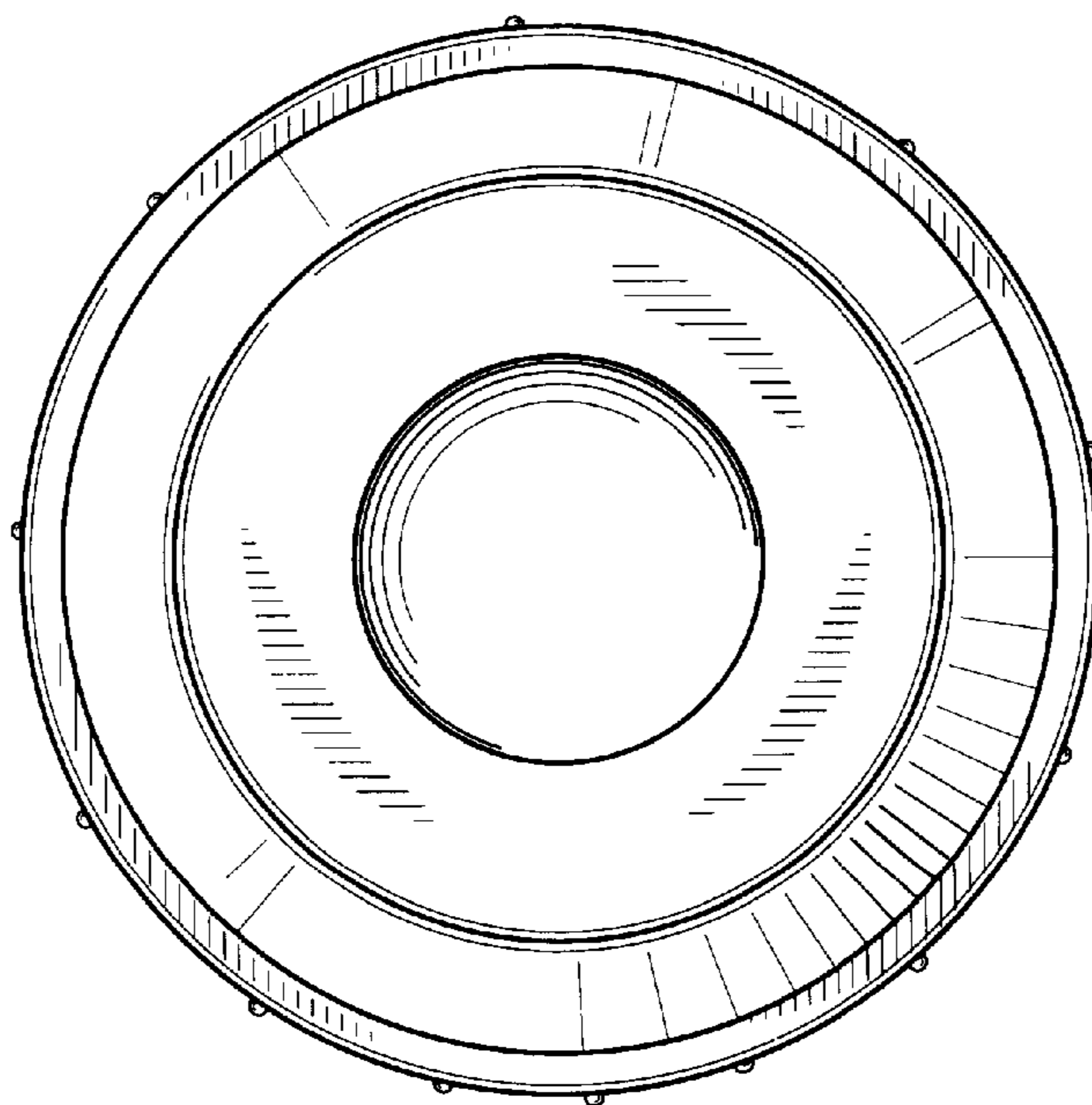


FIG. 22

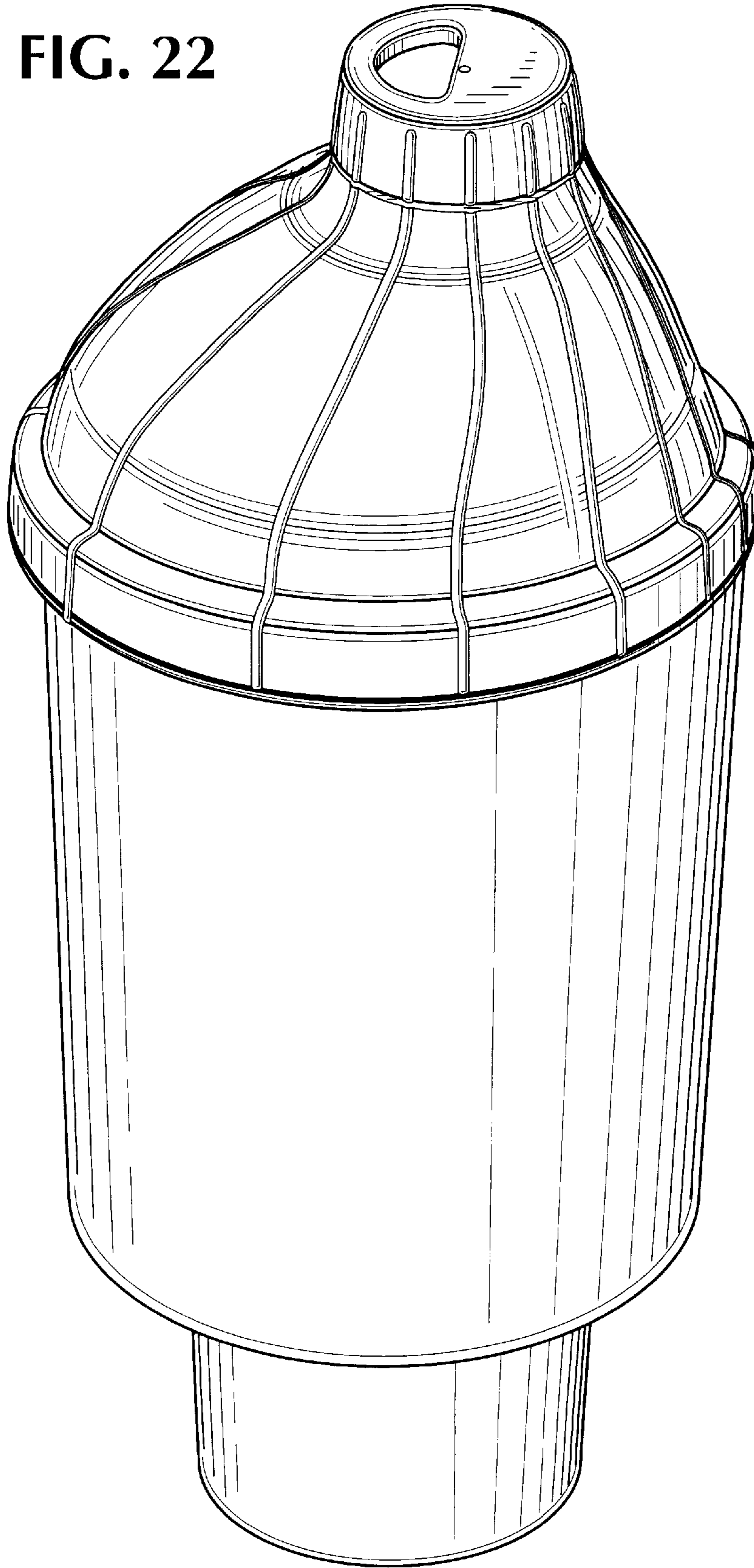


FIG. 23

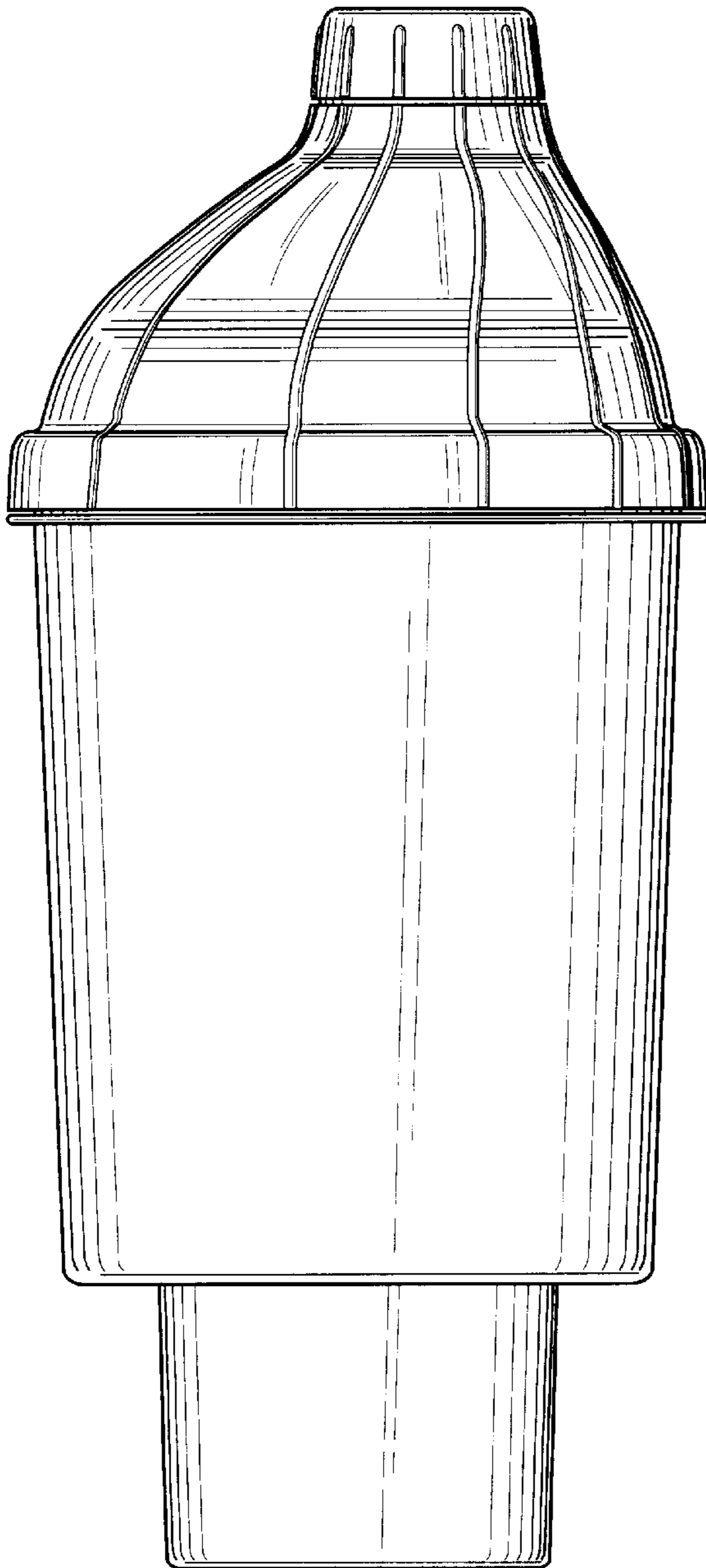


FIG. 24

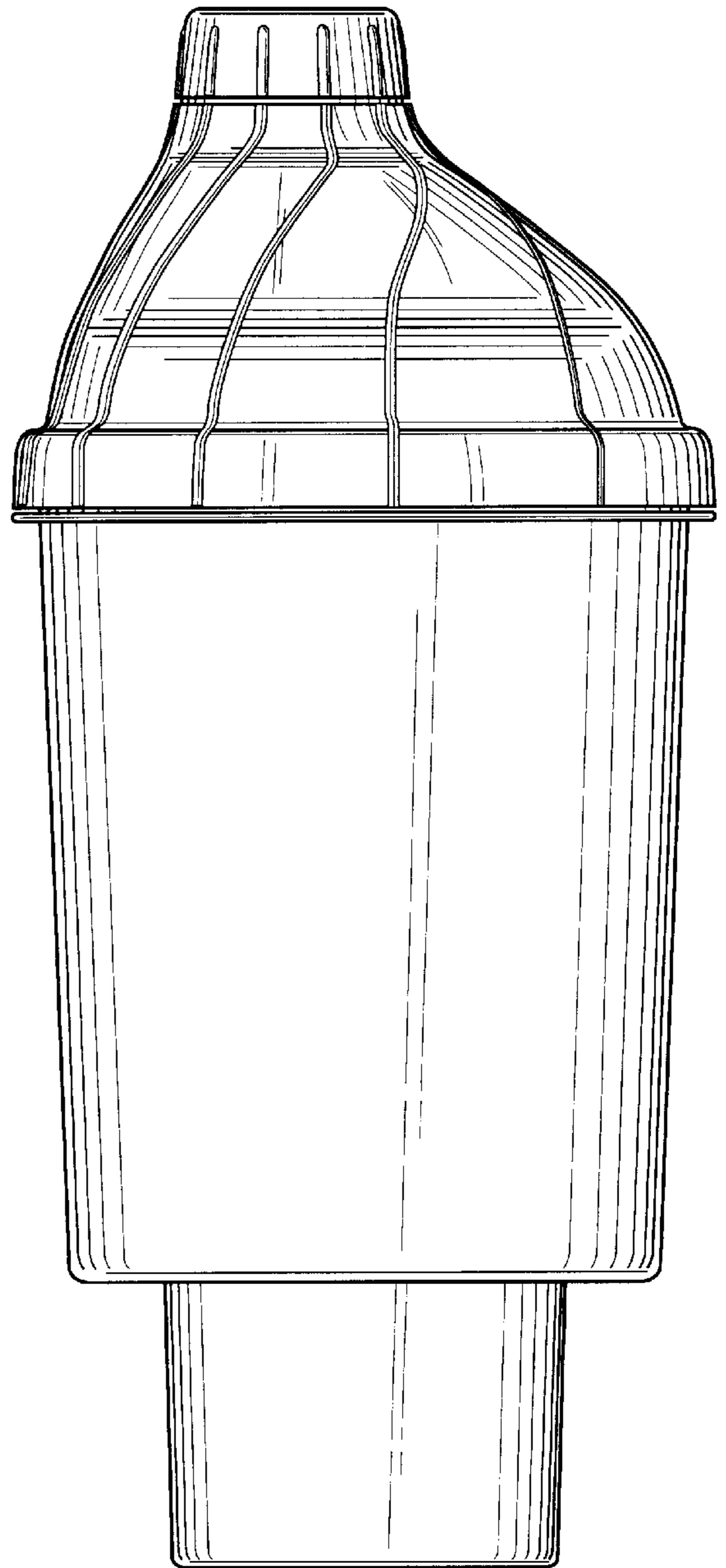


FIG. 25

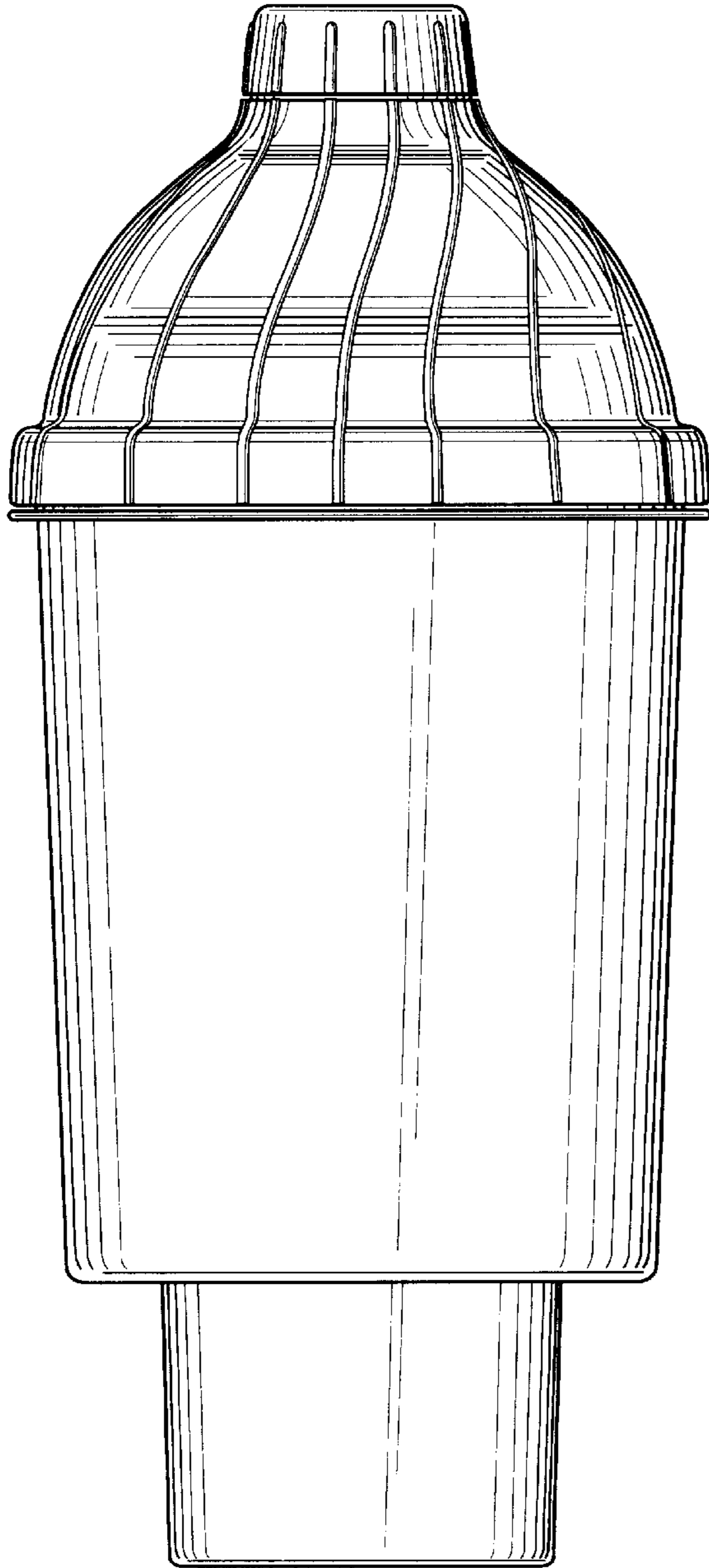


FIG. 26

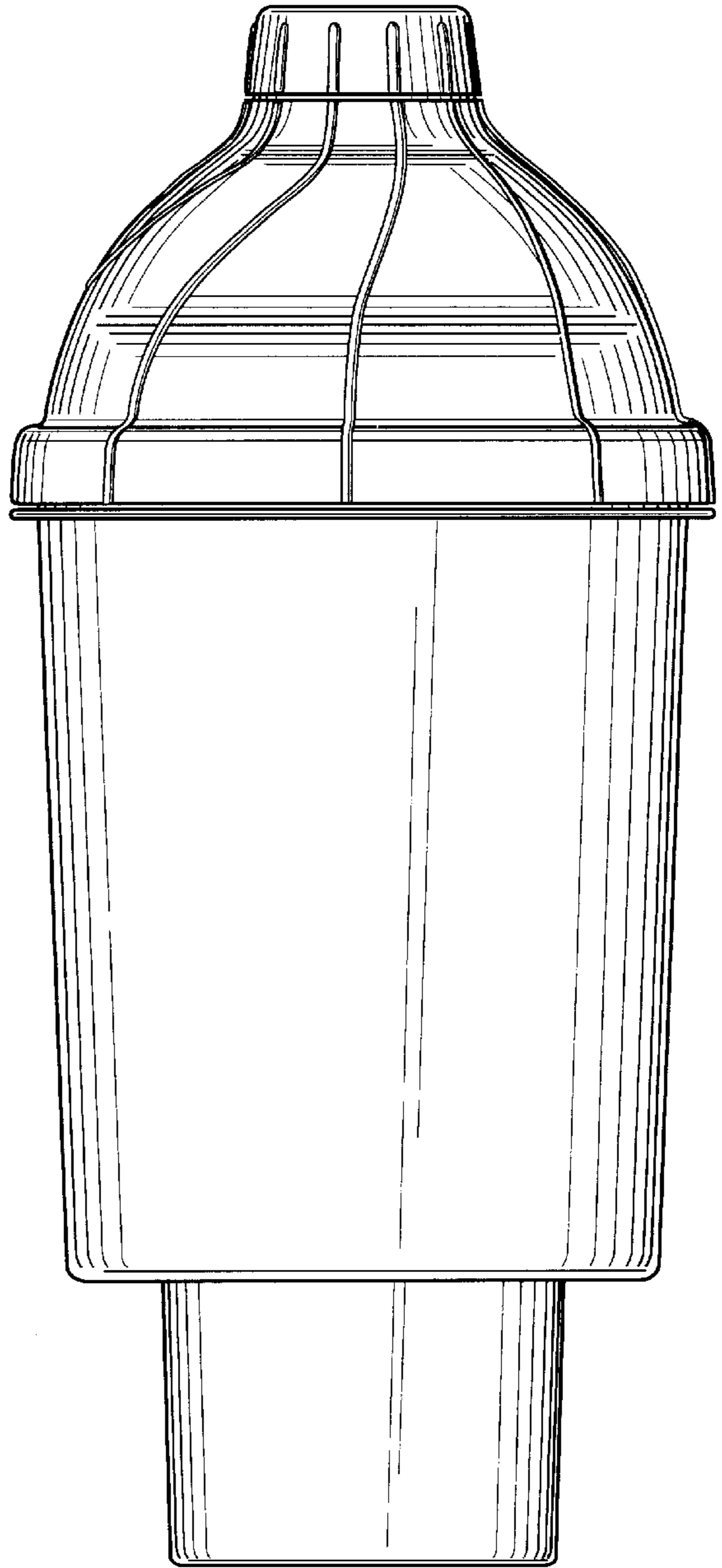


FIG. 27

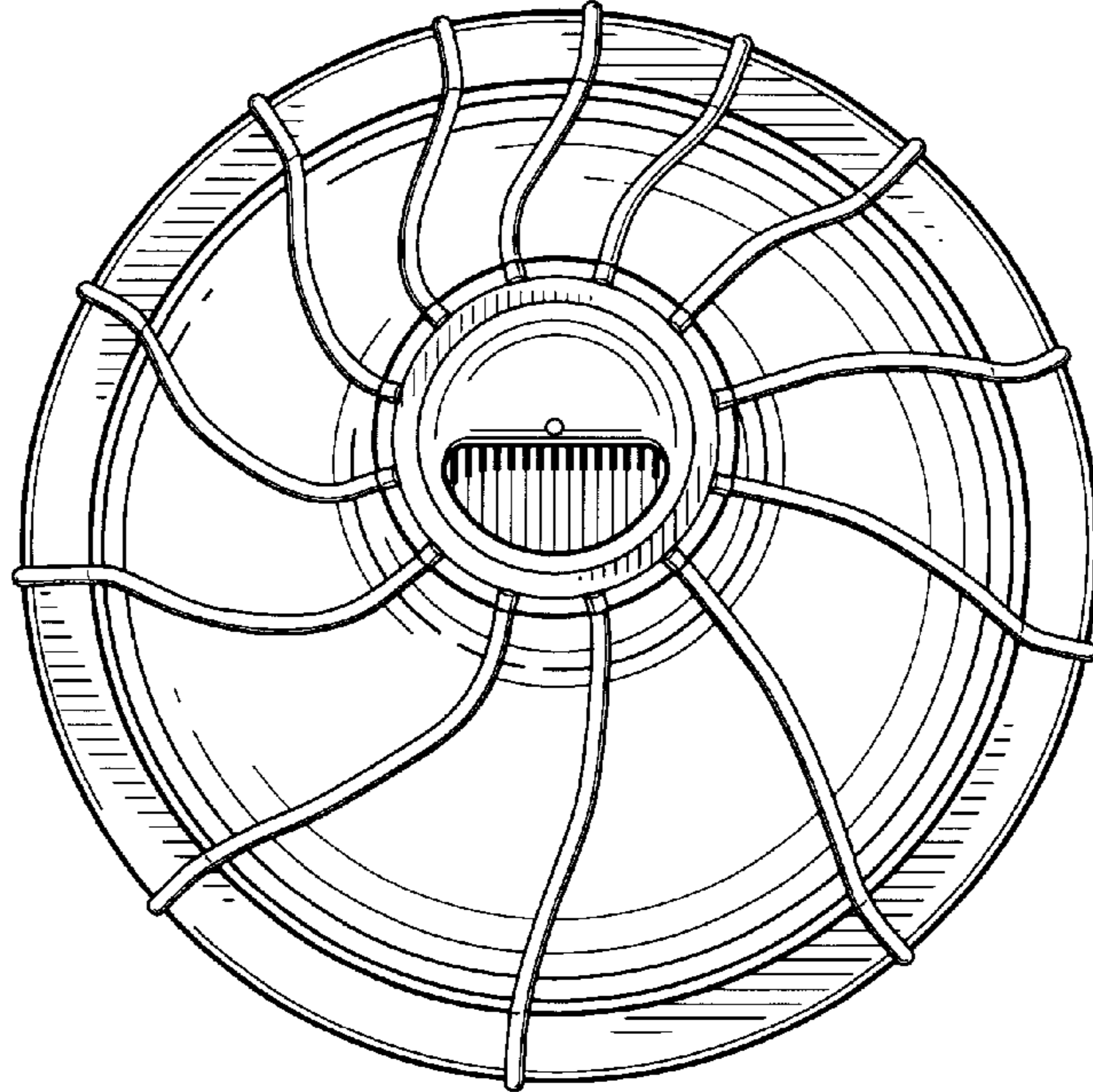


FIG. 28

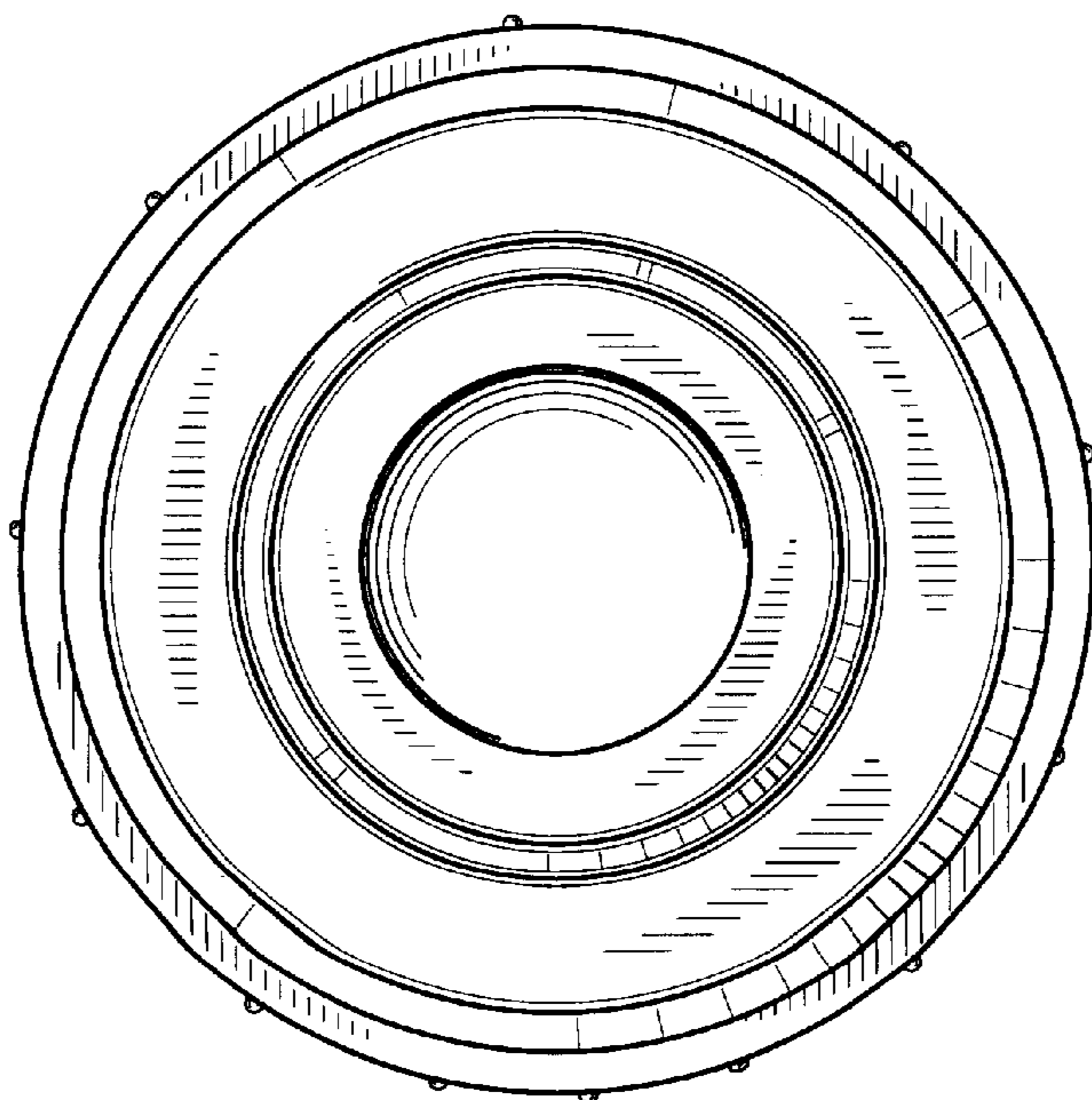


FIG. 29

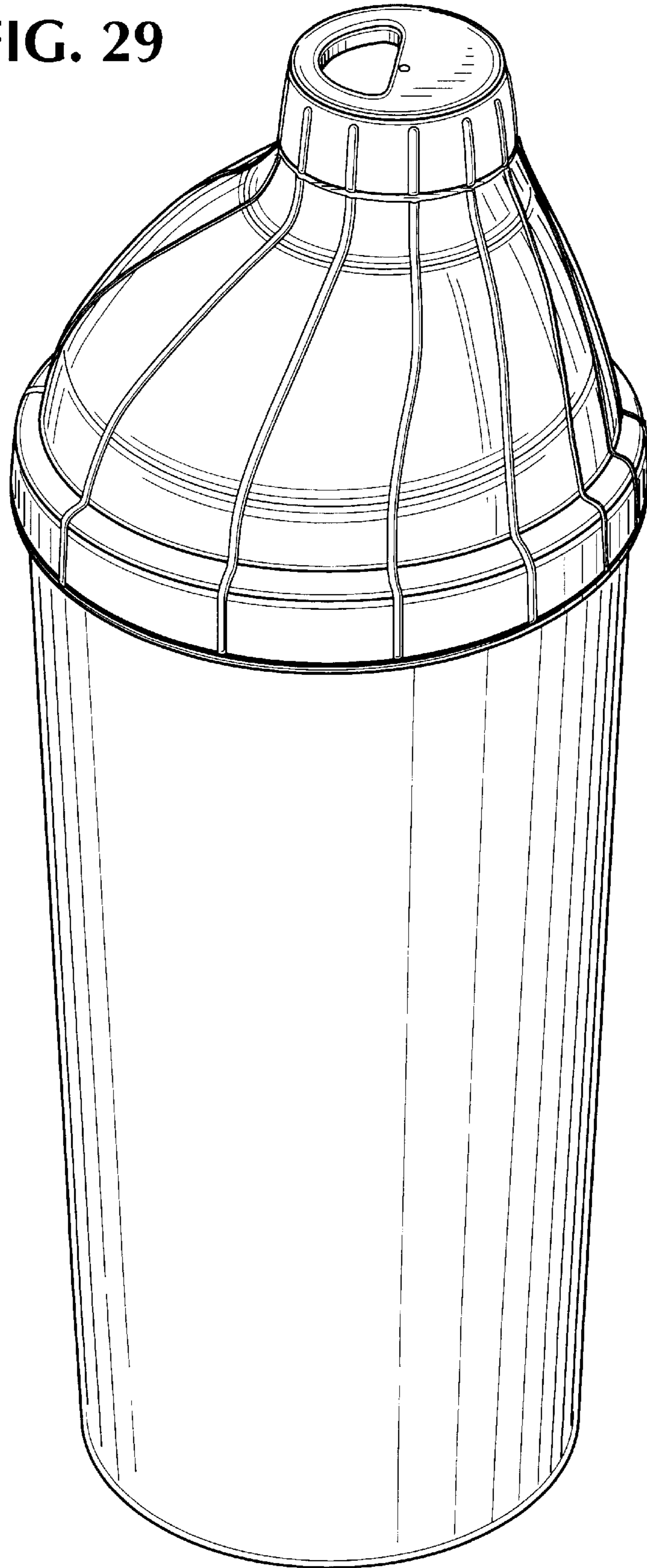


FIG. 30

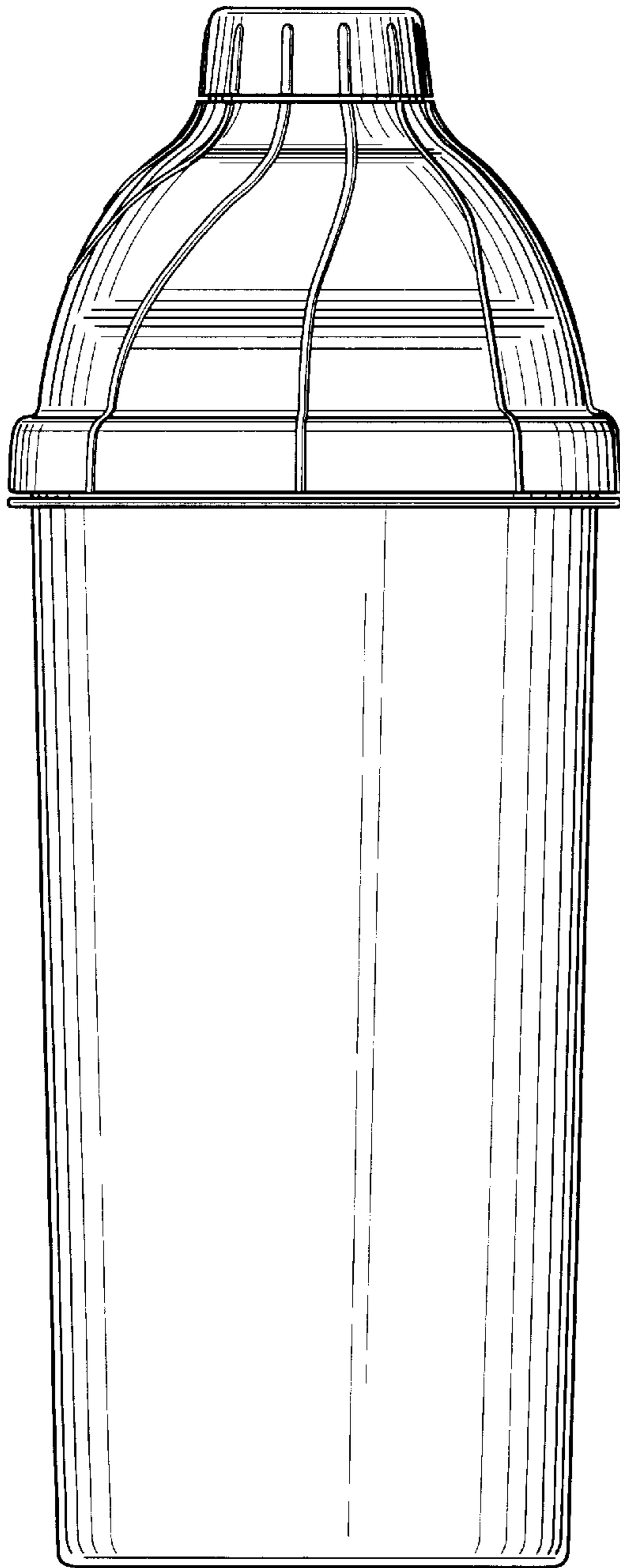


FIG. 31

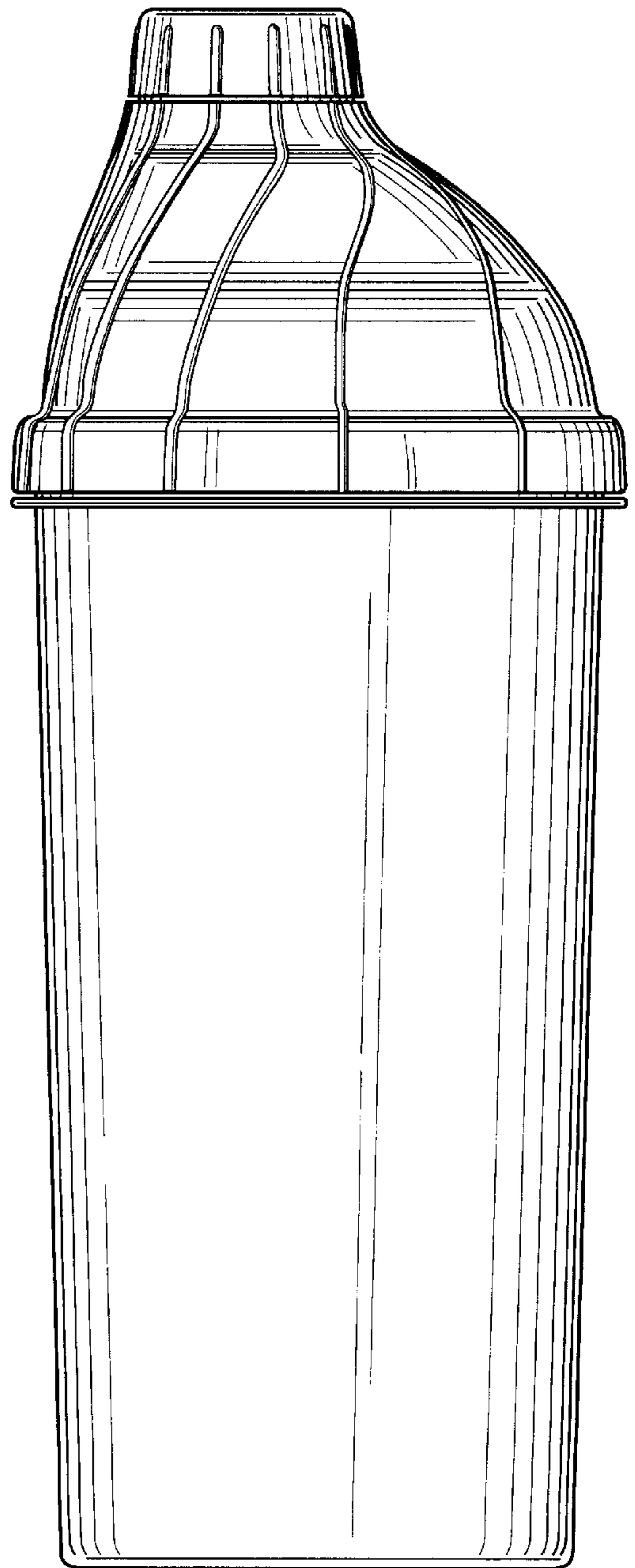


FIG. 32

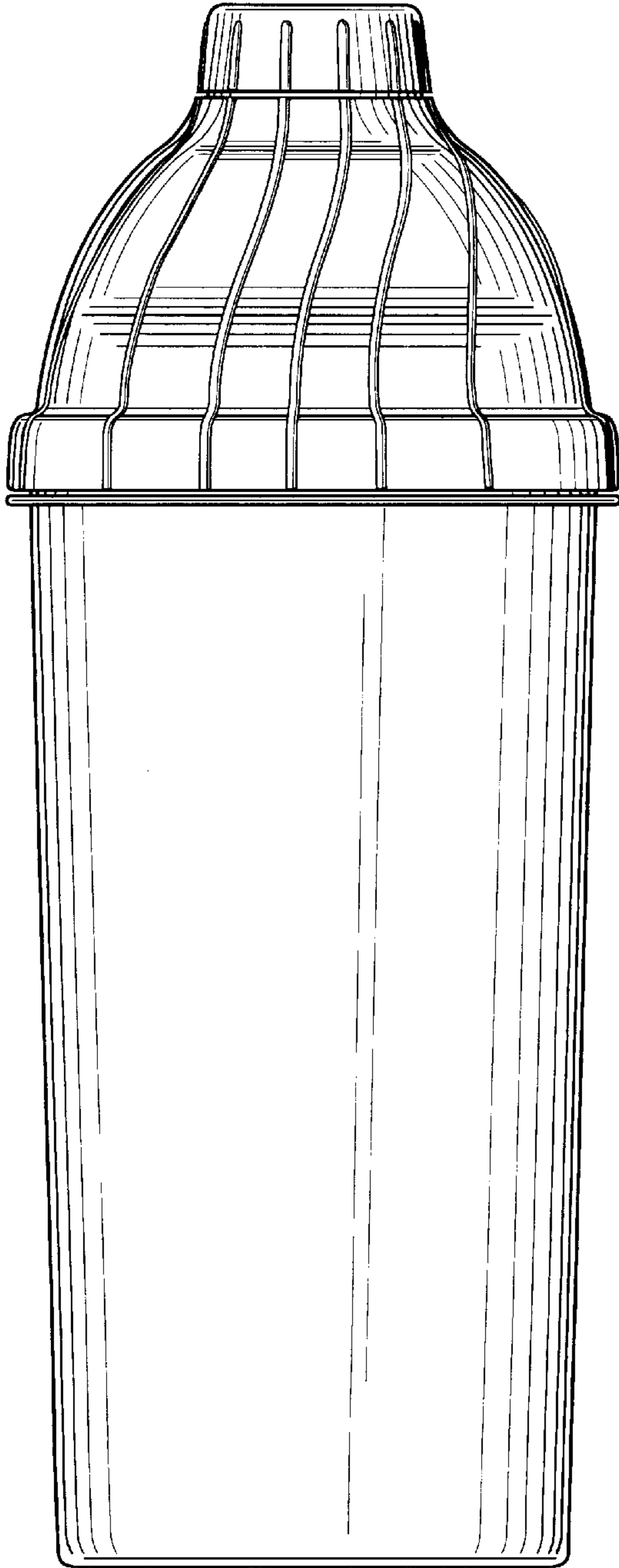


FIG. 33

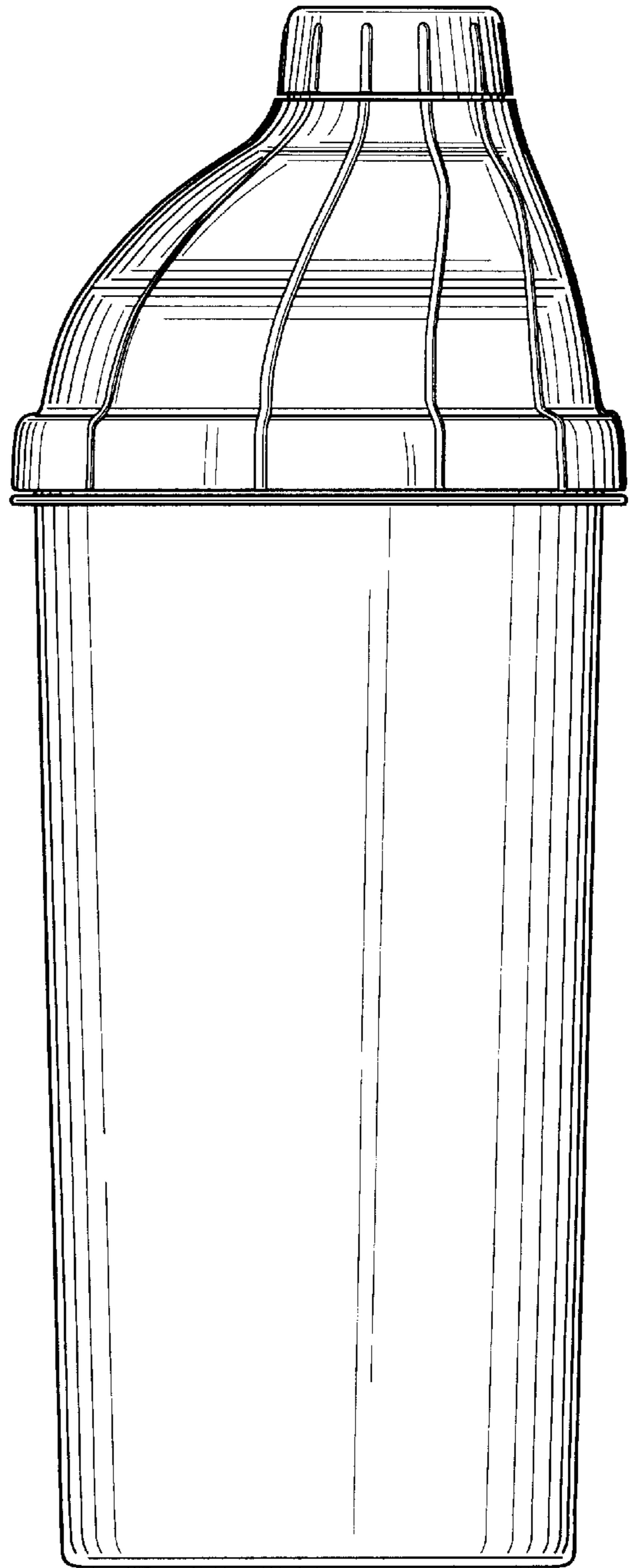


FIG. 34

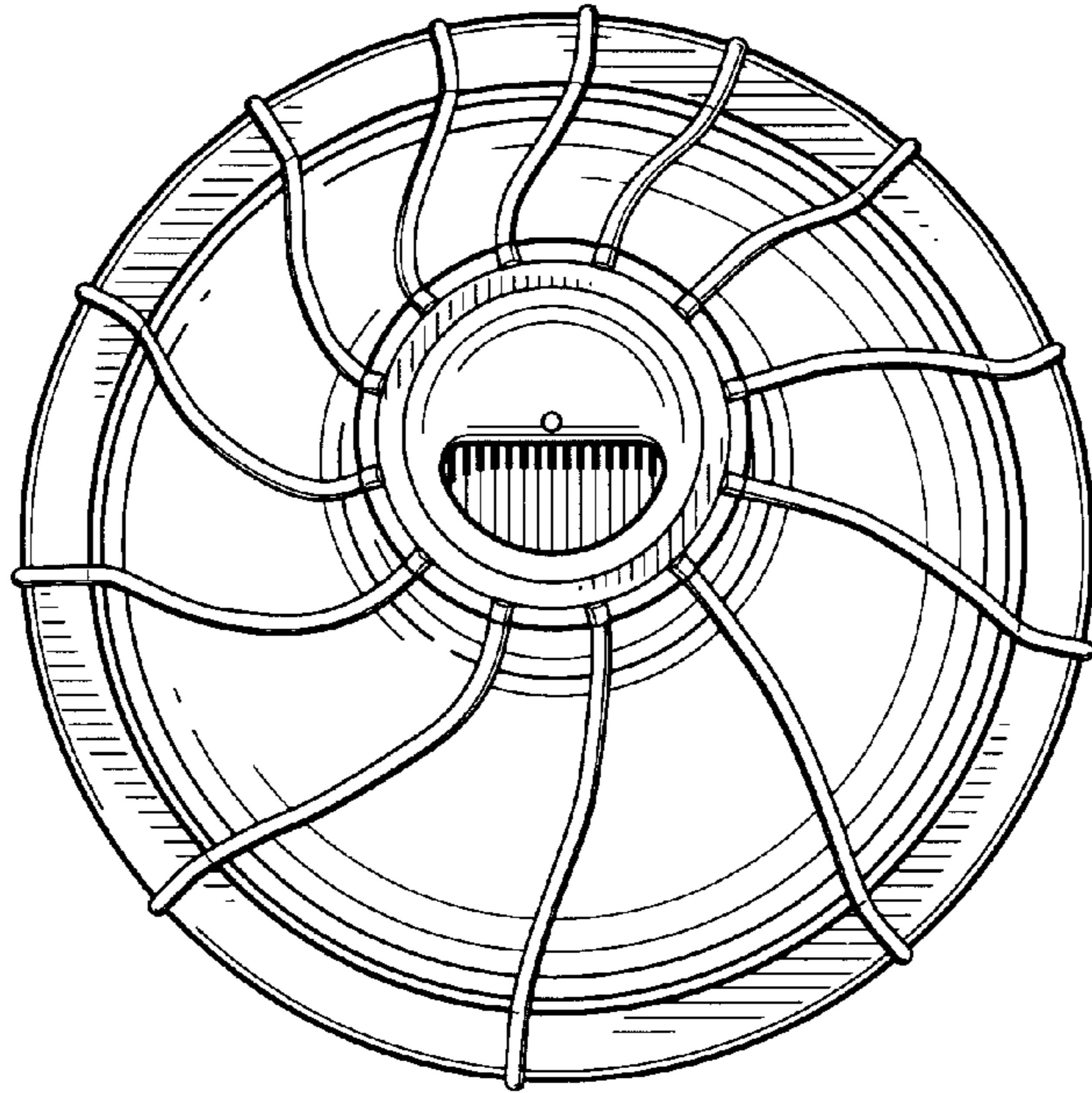


FIG. 35

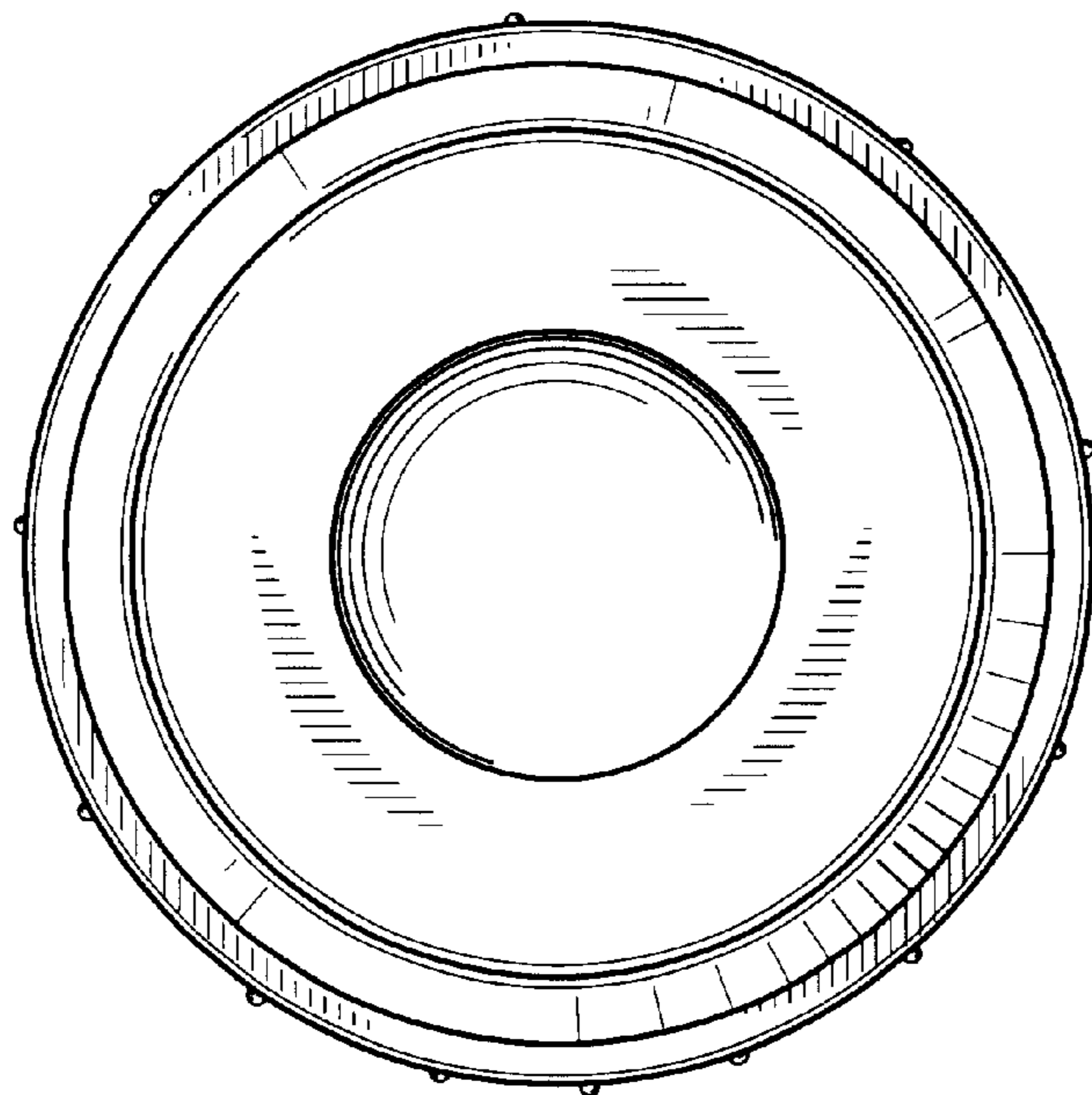


FIG. 36

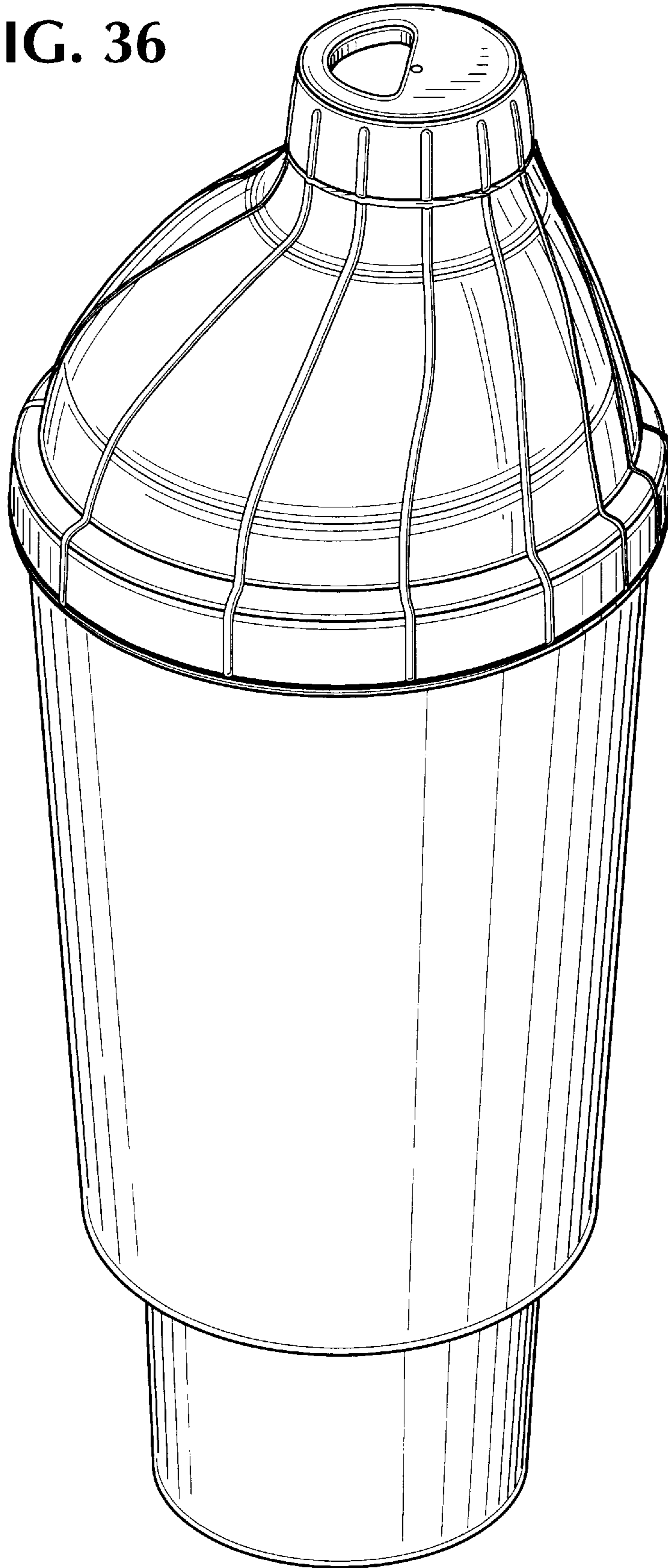


FIG. 37

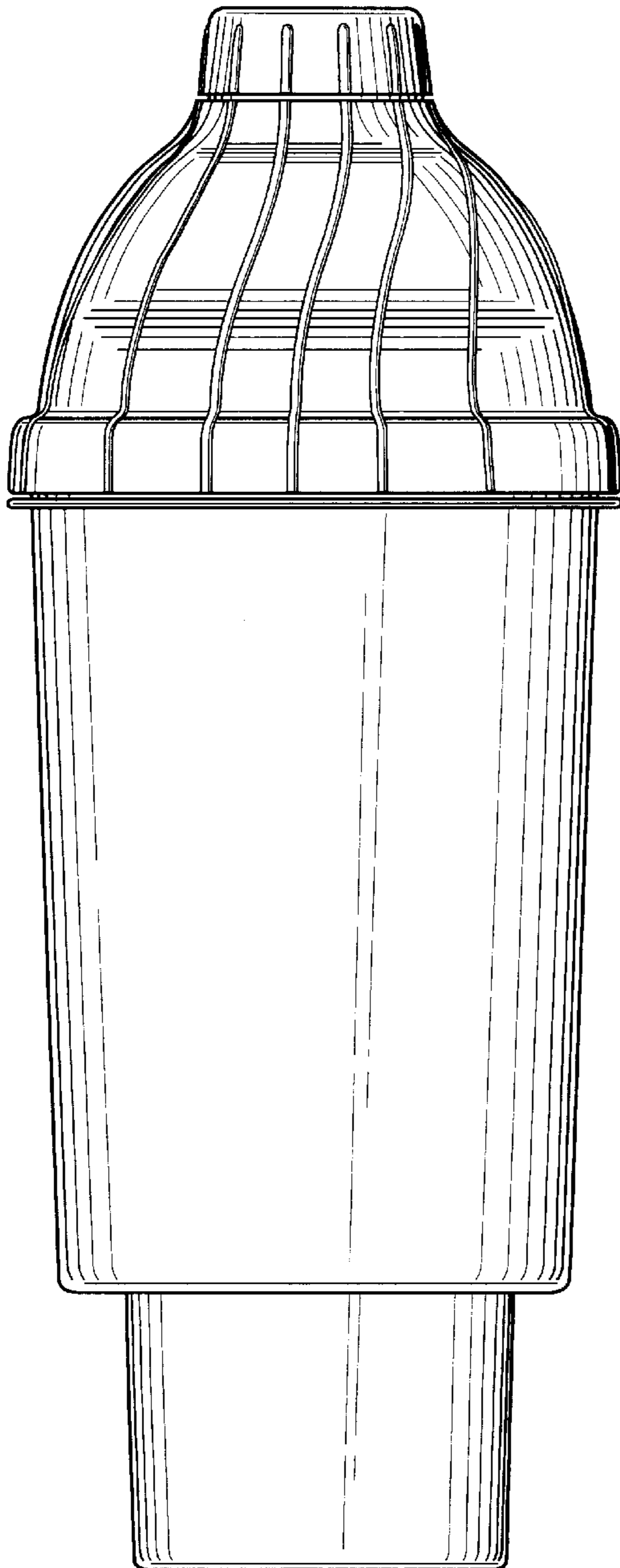


FIG. 38

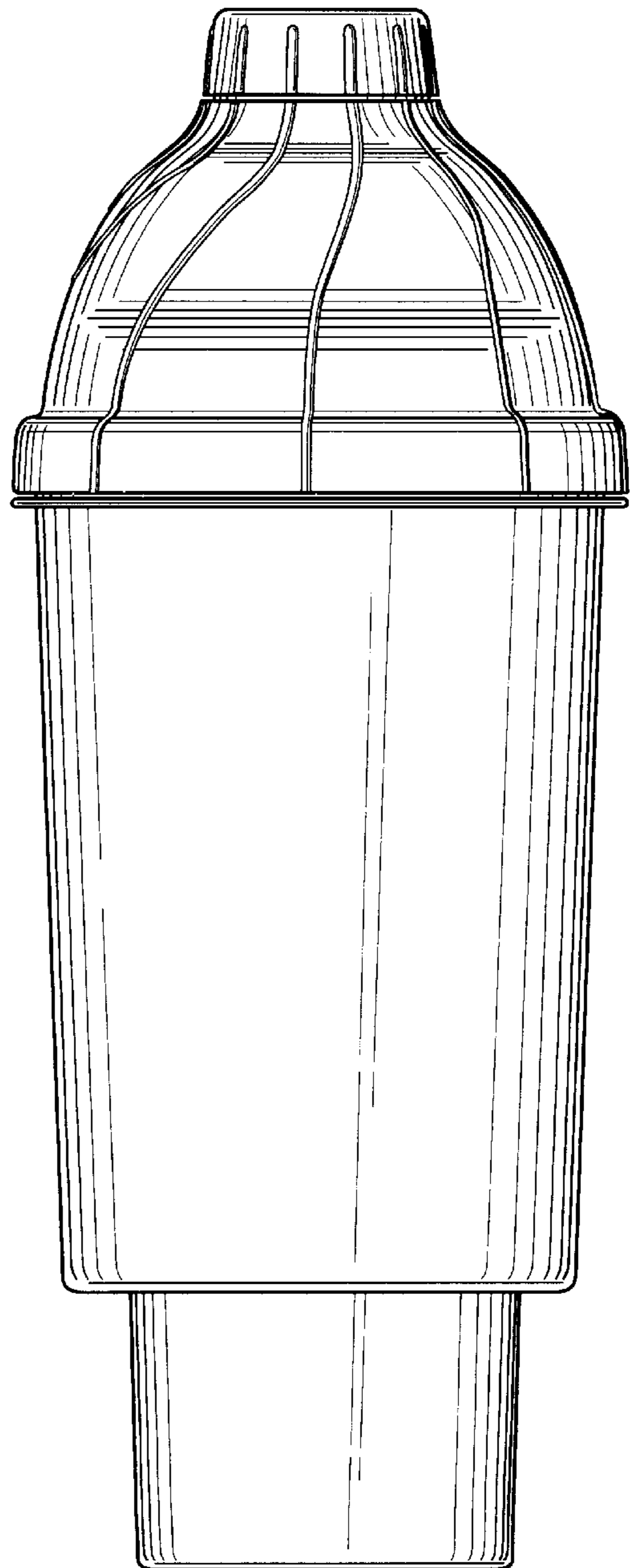


FIG. 39

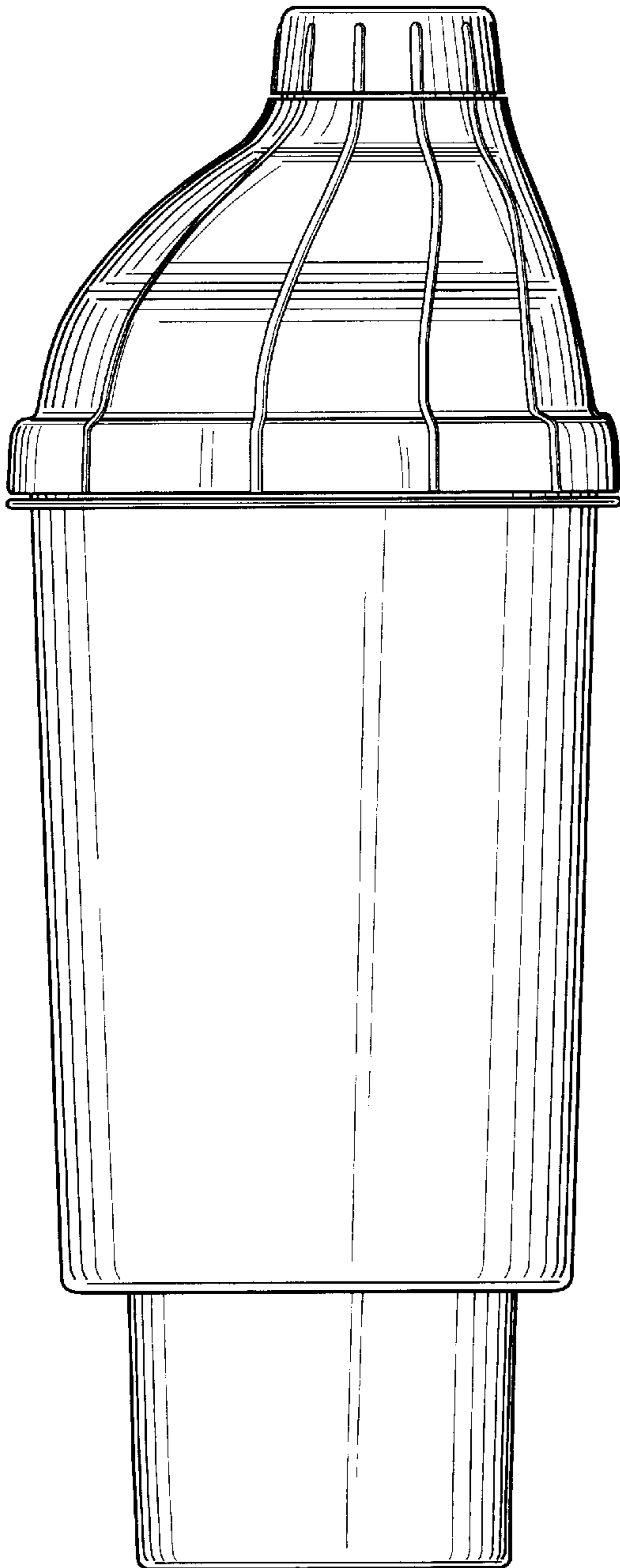


FIG. 40

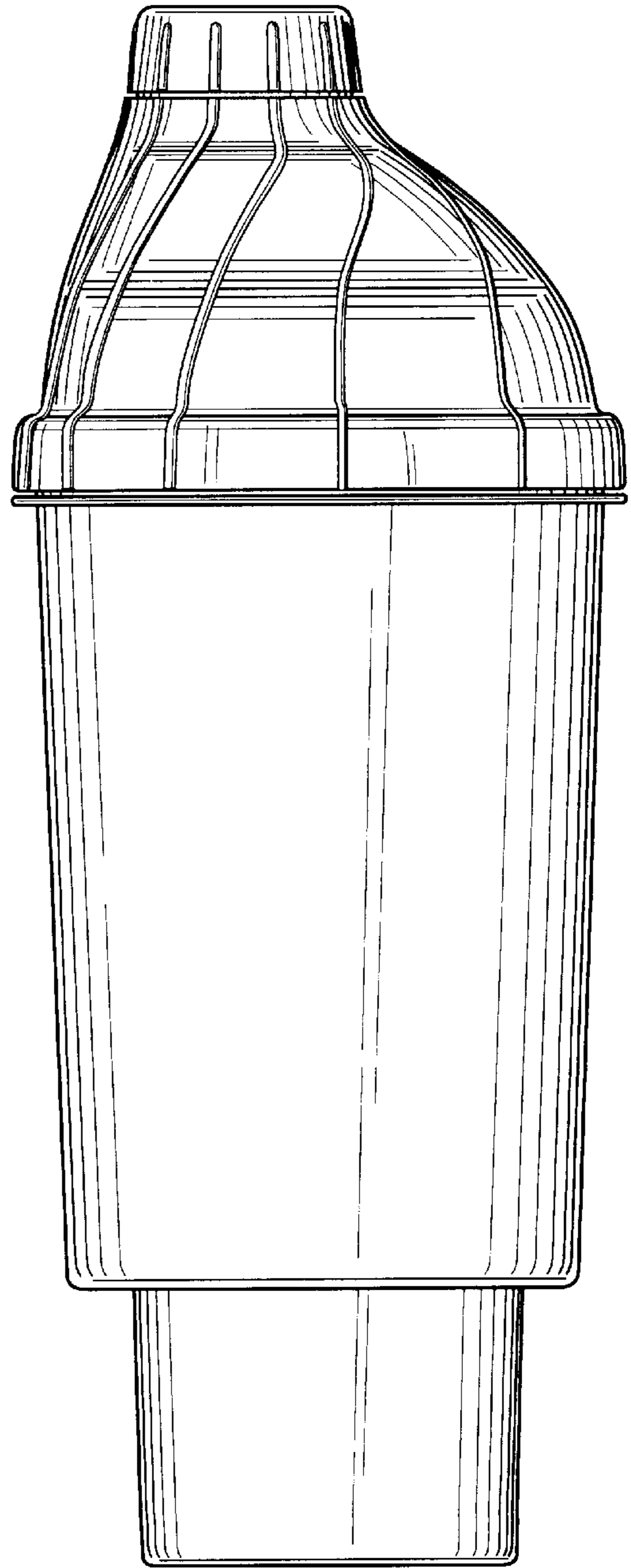


FIG. 41

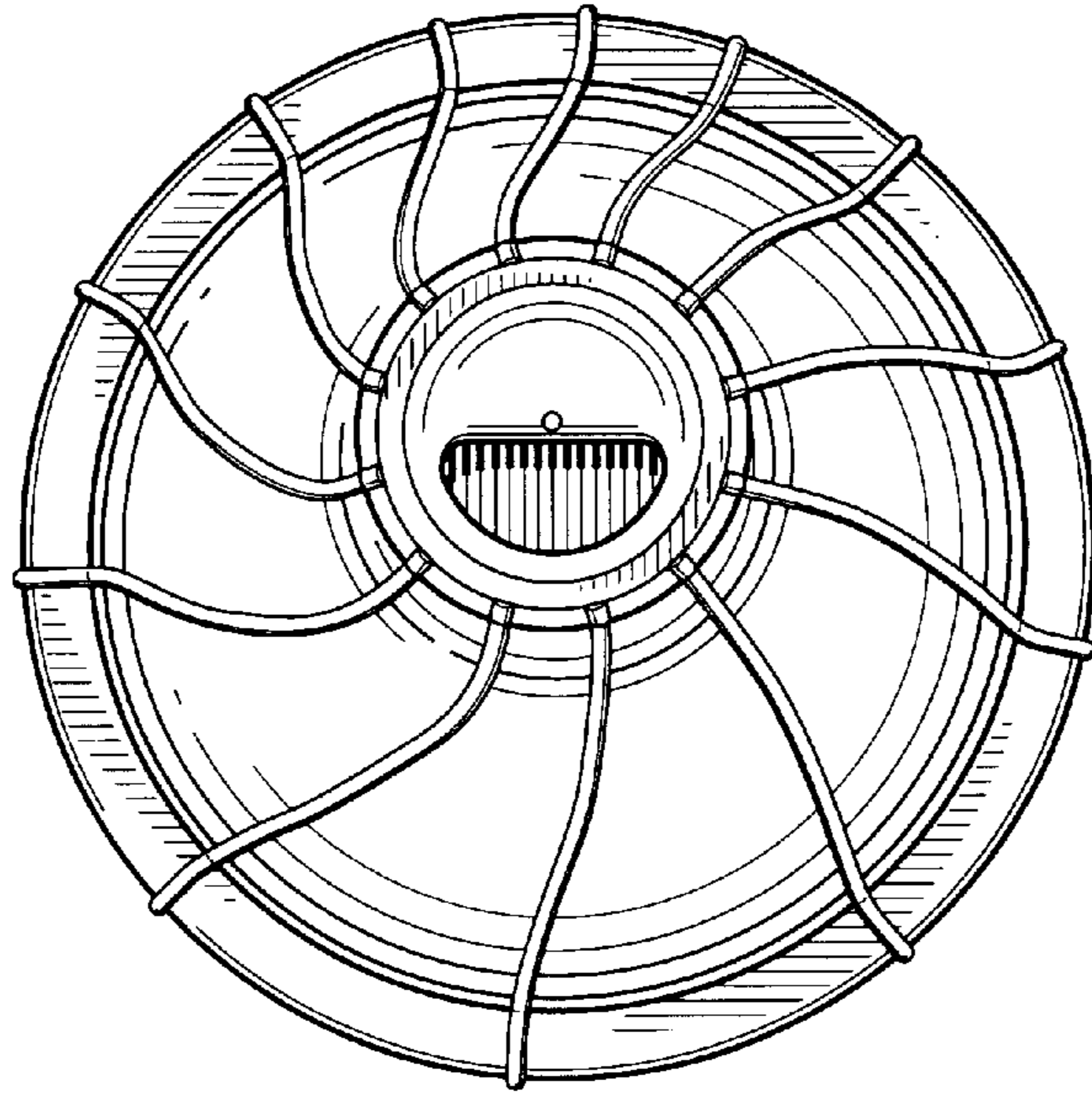


FIG. 42

