



US00D427851S

United States Patent [19]
Turner

[11] **Patent Number: Des. 427,851**

[45] **Date of Patent: ** Jul. 11, 2000**

[54] **PRIMITIVE FIRE BUILDING KIT**

D. 402,504 12/1998 Poon et al. D7/416
3,232,501 2/1966 Morenda 224/194

[76] Inventor: **David Ray Turner**, Rte. 2, Box 353-2,
Red Level, Ala. 36474

Primary Examiner—M. N. Pandozzi

[**] Term: **14 Years**

[57] **CLAIM**

The ornamental design for a primitive fire building kit, as shown and described.

[21] Appl. No.: **29/099,108**

[22] Filed: **Jan. 11, 1999**

DESCRIPTION

[51] **LOC (7) Cl.** **07-99**

FIG. 1 is an exploded front elevational view of the primitive fire building kit showing the individual components of my new design, such components including a bearing block, a dowel drill, a bow, a fire board, and a spark-catching leather piece;

[52] **U.S. Cl.** **D7/416; D7/213**

[58] **Field of Search** D7/416, 417, 505,
D7/213; D27/139, 141; D22/107; D21/386;
224/194, 916; 124/23.1; 30/507

FIG. 2 is an exploded rear elevational view thereof;

FIG. 3 is an exploded right side view thereof;

FIG. 4 is an exploded left side view thereof;

FIG. 5 is an exploded top plan view thereof; and

FIG. 6 is an exploded bottom plan view thereof; and,

FIG. 7 is a top perspective view thereof.

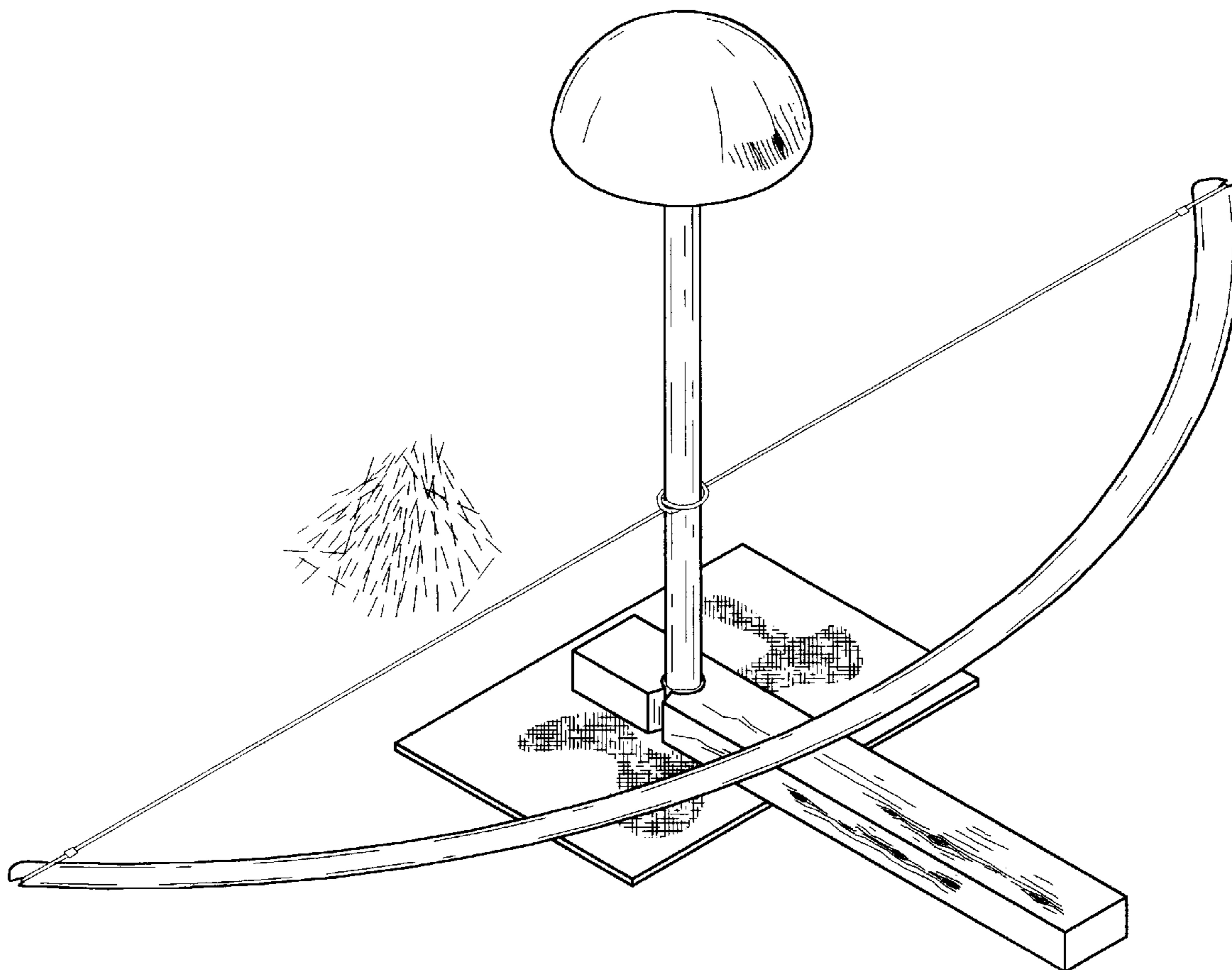
The broken line showing of tinder in FIG. 7 is for illustrative purposes only and forms no part of the claimed design.

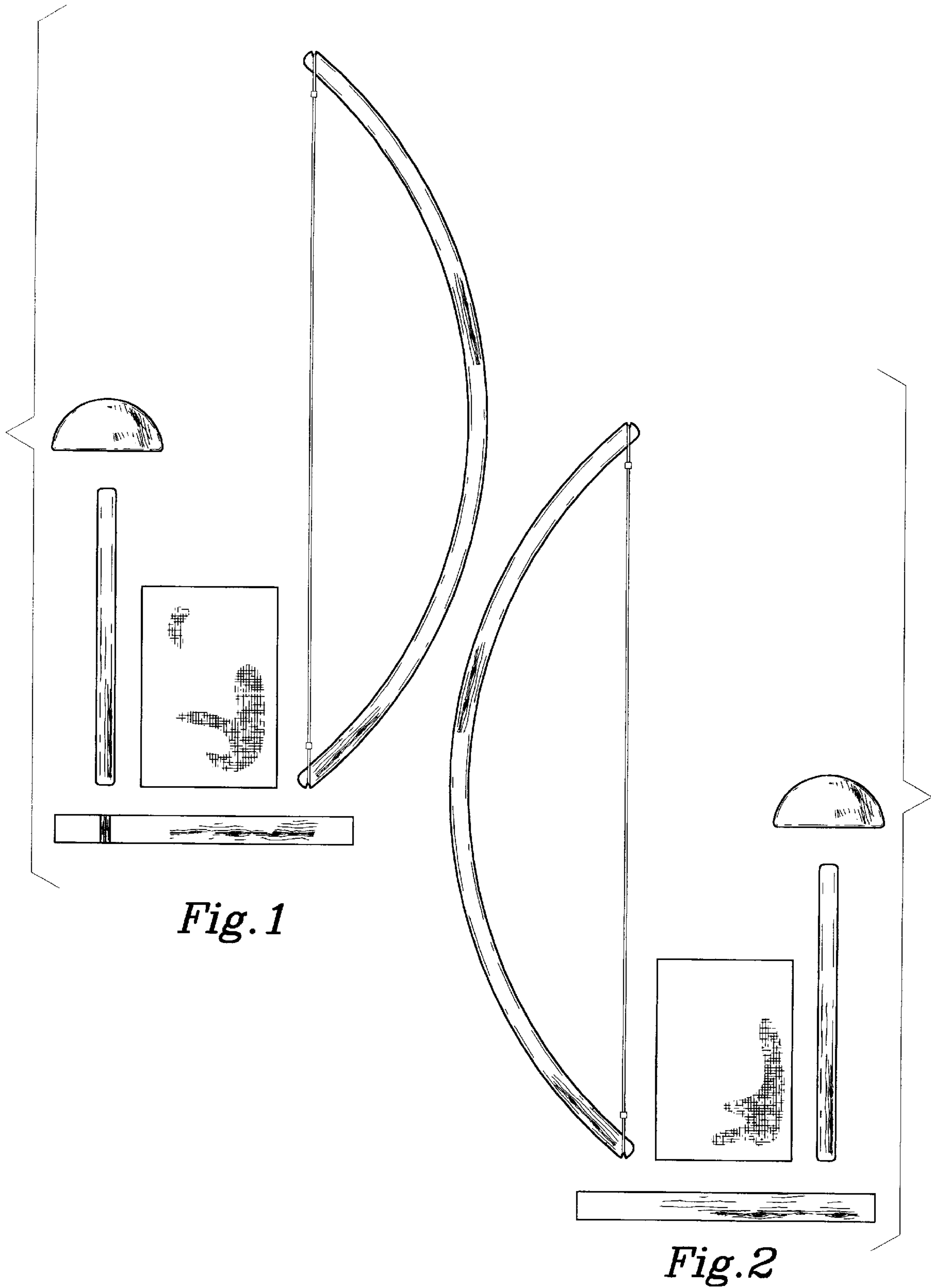
[56] **References Cited**

U.S. PATENT DOCUMENTS

D. 235,366	6/1975	Imatt et al.	D21/386
D. 271,411	11/1983	Adkins	D22/107
D. 276,085	10/1984	Ostman	D27/139
D. 293,365	12/1987	George	D7/416
D. 294,649	3/1988	Carr et al.	D7/416
D. 296,016	5/1988	Carr et al.	D7/416

1 Claim, 4 Drawing Sheets





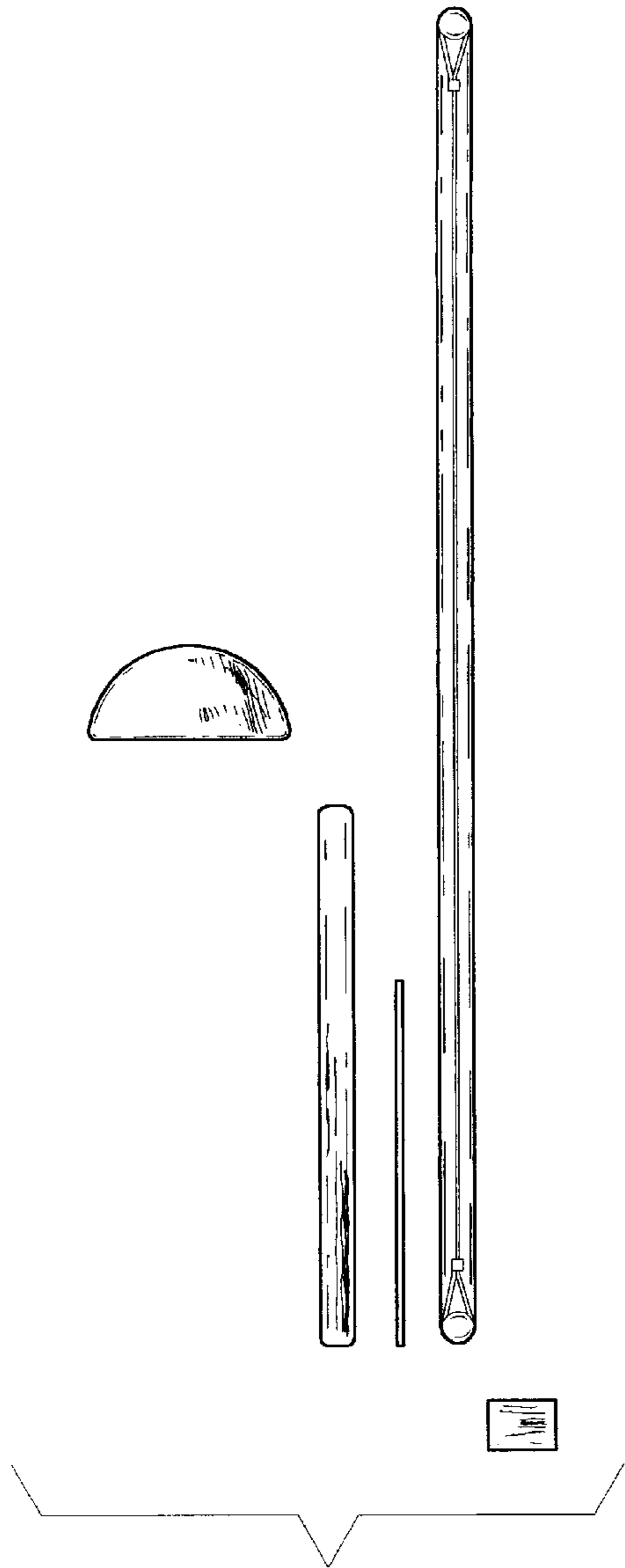


Fig. 3

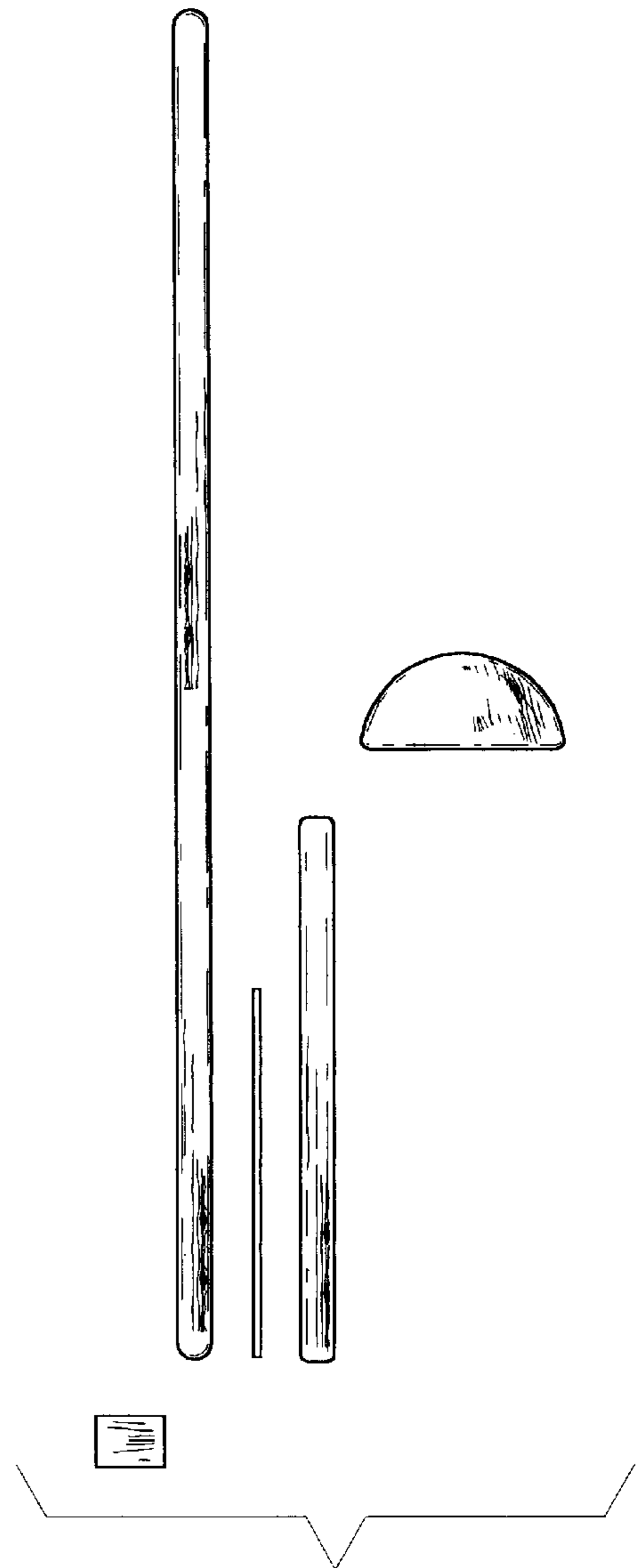


Fig. 4

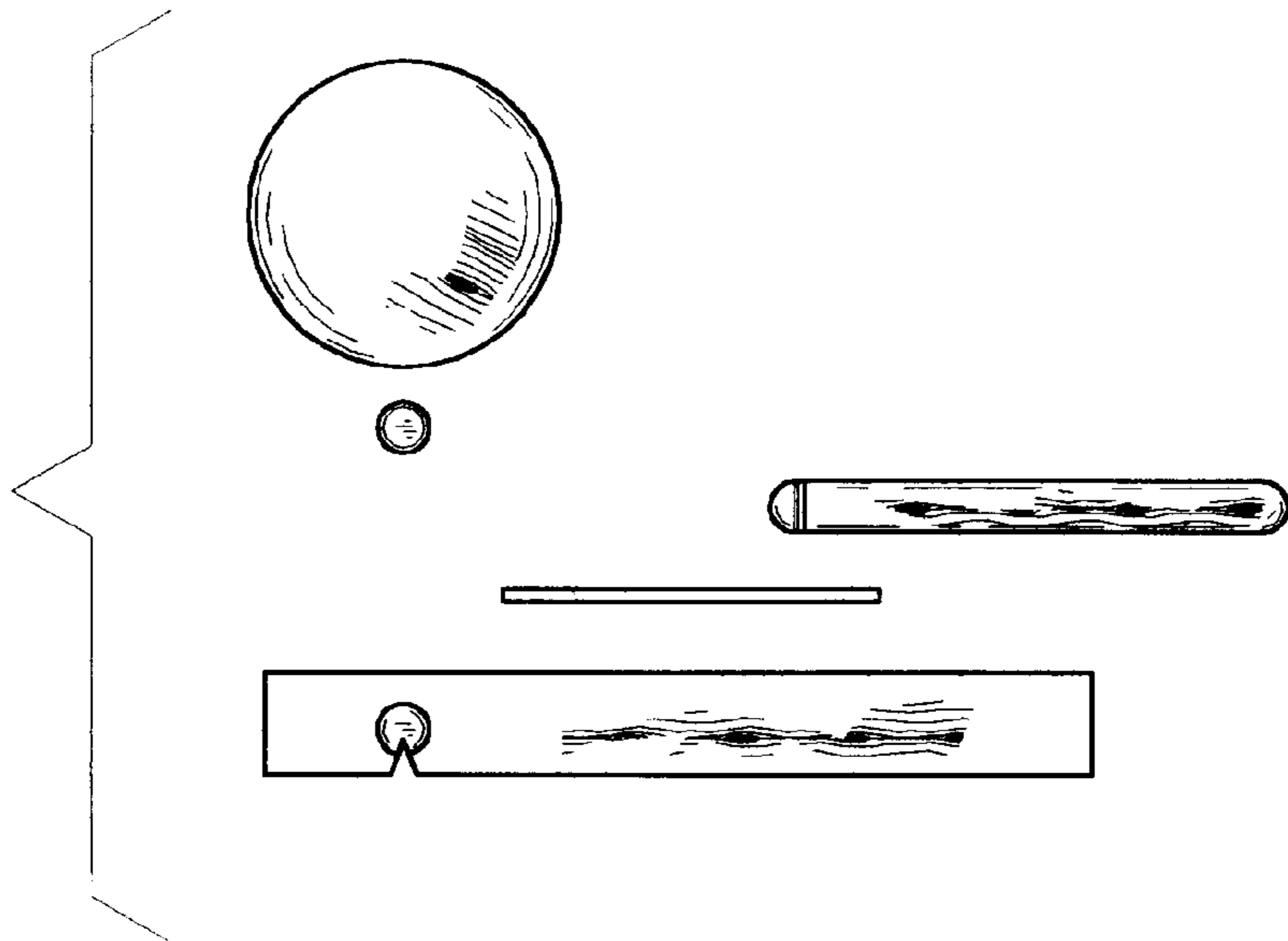


Fig. 5

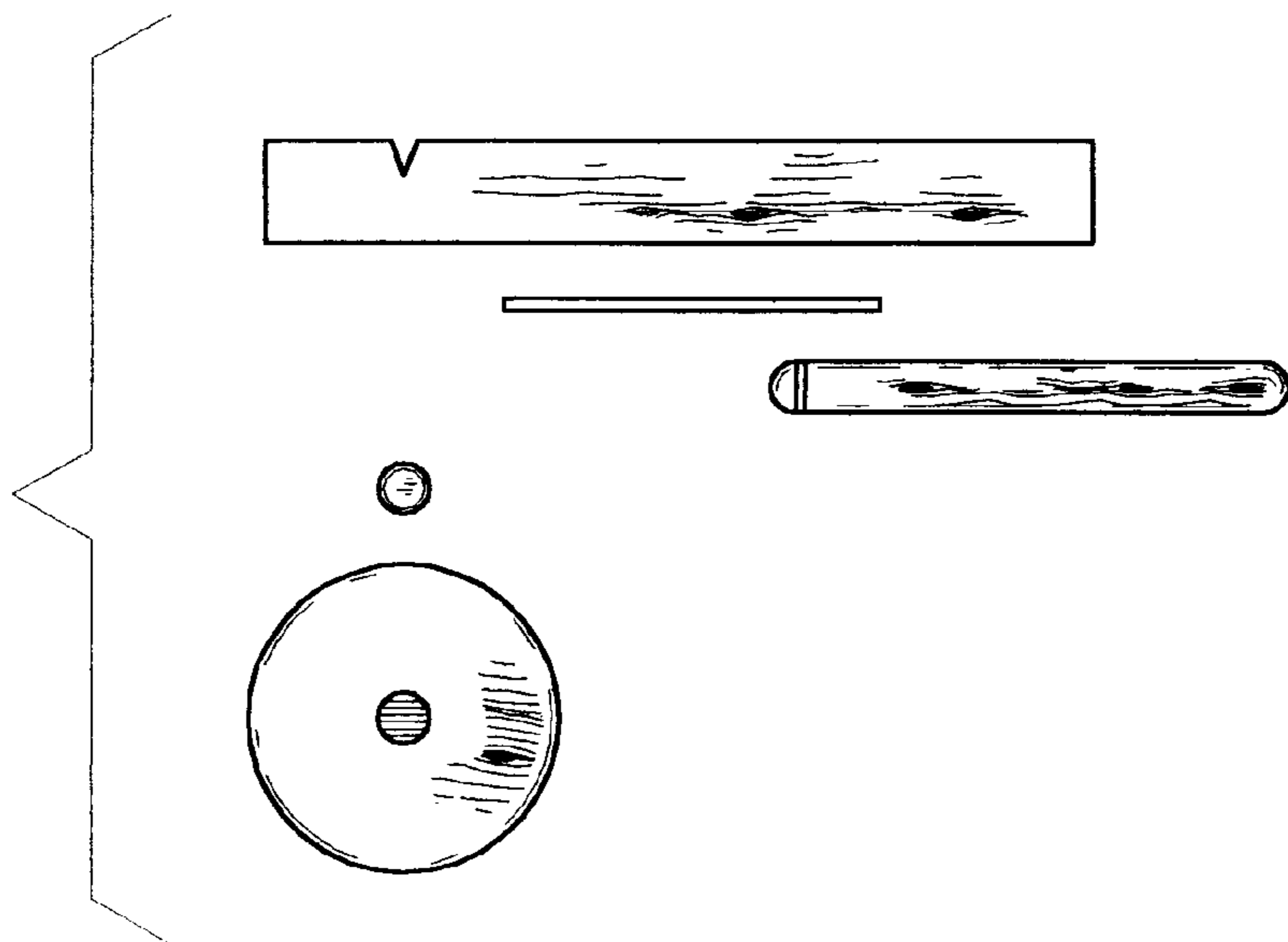


Fig. 6

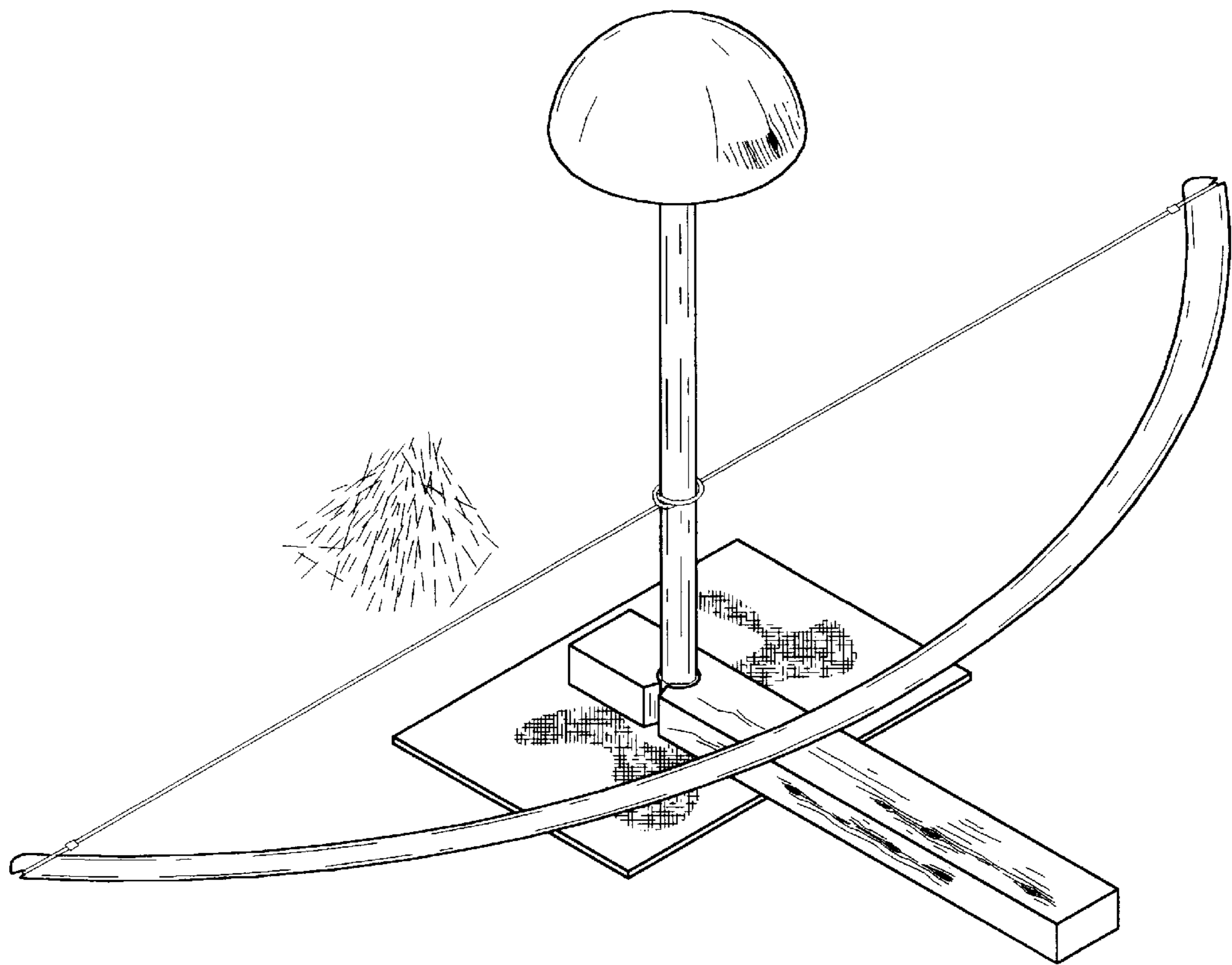


Fig. 7