



US00D427847S

United States Patent [19]

Henry et al.

[11] Patent Number: Des. 427,847

[45] Date of Patent: ** Jul. 11, 2000

[54] UTENSIL HANDLE

[75] Inventors: Lou Henry; Bruce E. Ancona, both of New York, N.Y.

[73] Assignee: Ekco Housewares, Inc., Franklin Park, Ill.

[**] Term: 14 Years

[21] Appl. No.: 29/107,749

[22] Filed: Jul. 13, 1999

[51] LOC (7) Cl. 07-02

[52] U.S. Cl. D7/401.2

[58] Field of Search D7/642, 645, 648, D7/649, 650, 653, 662-664, 401.2, 669, 682, 688, 691, 394, 395; 16/110.1, 422, 430, 431, 444; 30/147-150, 322, 324

[56] References Cited

U.S. PATENT DOCUMENTS

D. 132,441	5/1942	Graves	D7/648
D. 191,406	9/1961	Newmark	D7/648
D. 204,948	5/1966	Henderson	D7/688
D. 337,034	7/1993	Berry, Jr.	D8/107
D. 394,186	5/1998	Dodane	D7/395
D. 405,676	2/1999	Rivera	D8/107
5,373,643	12/1994	Warren	30/322

Primary Examiner—Caron D. Veynar
Attorney, Agent, or Firm—Wolf, Greenfield & Sacks, P.C.

[57] CLAIM

The ornamental design for a utensil handle, as shown and described.

DESCRIPTION

FIG. 1 is a side, top, perspective view of a first embodiment of the utensil handle, the broken line showing of a spatula portion is for illustrative purposes only and forms no part of the claimed design;

FIG. 2 is a top view thereof;

FIG. 3 is a left side view thereof, the right side view thereof being a mirror image of the left side view thereof;

FIG. 4 is a bottom view thereof;

FIG. 5 is a rear view thereof;

FIG. 6 is a front view thereof;

FIG. 7 is a side, top, perspective view of a second embodiment of the utensil handle, the broken line showing of a masher portion is for illustrative purposes only and forms no part of the claimed design;

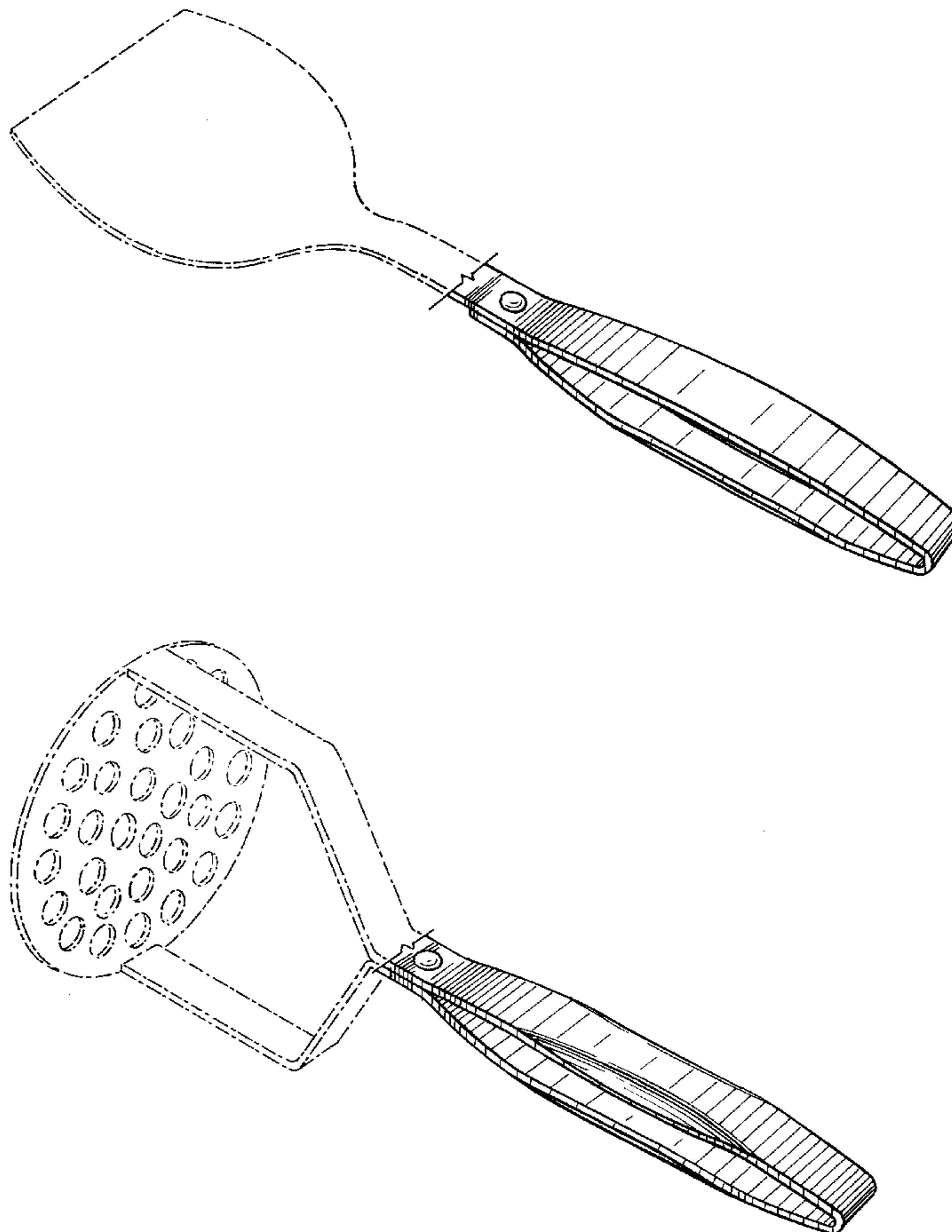
FIG. 8 is a top view, the bottom view being identical;

FIG. 9 is a left side view thereof, the right side view being a mirror image of the left side view thereof;

FIG. 10 is a rear view thereof; and,

FIG. 11 is a front view thereof.

1 Claim, 2 Drawing Sheets



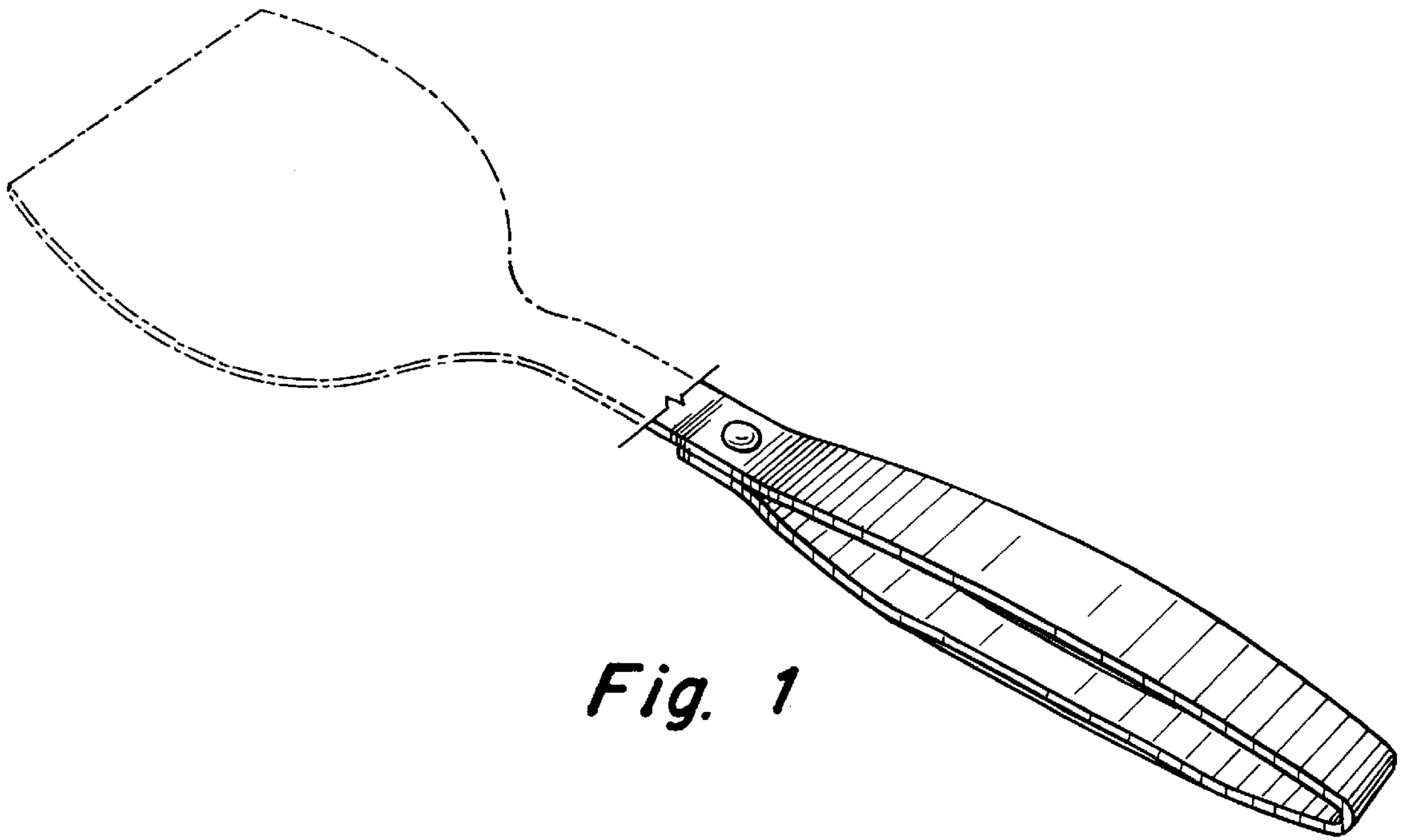


Fig. 1



Fig. 2



Fig. 3

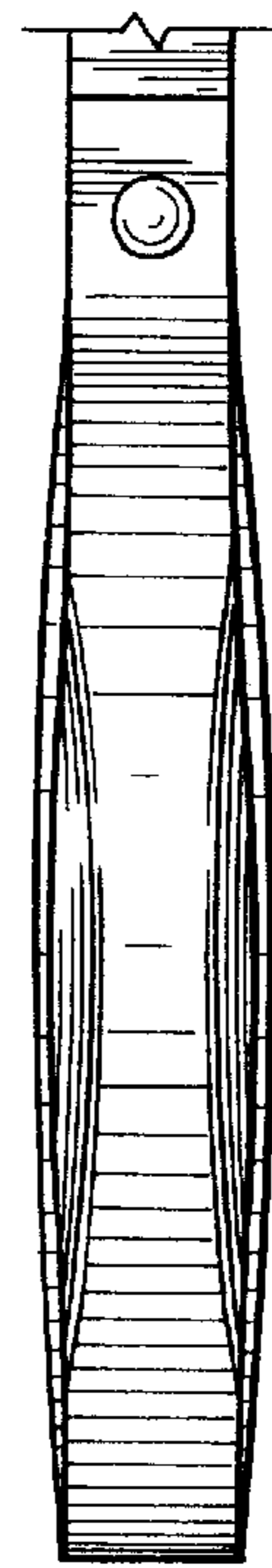


Fig. 4



Fig. 5



Fig. 6

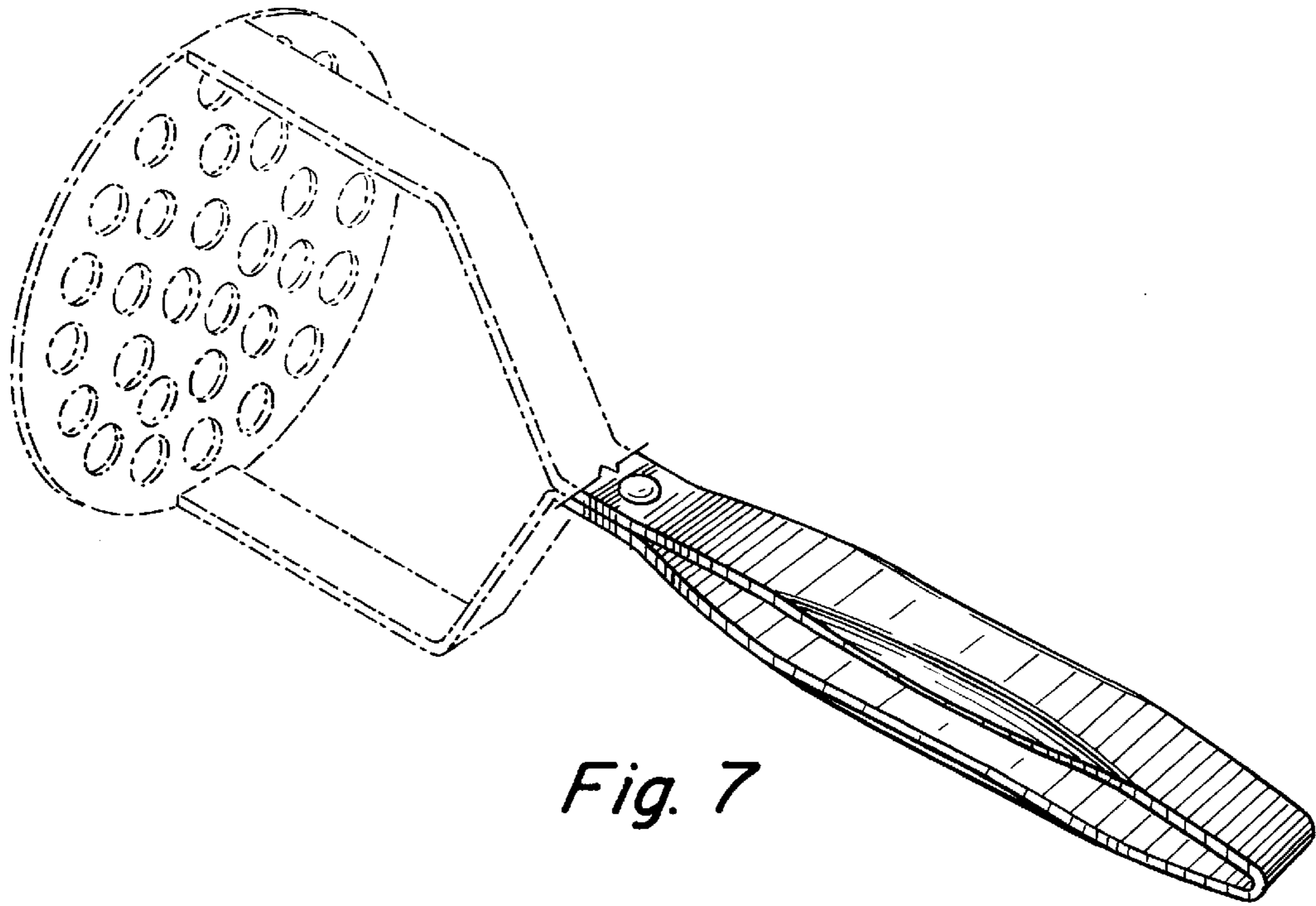


Fig. 7

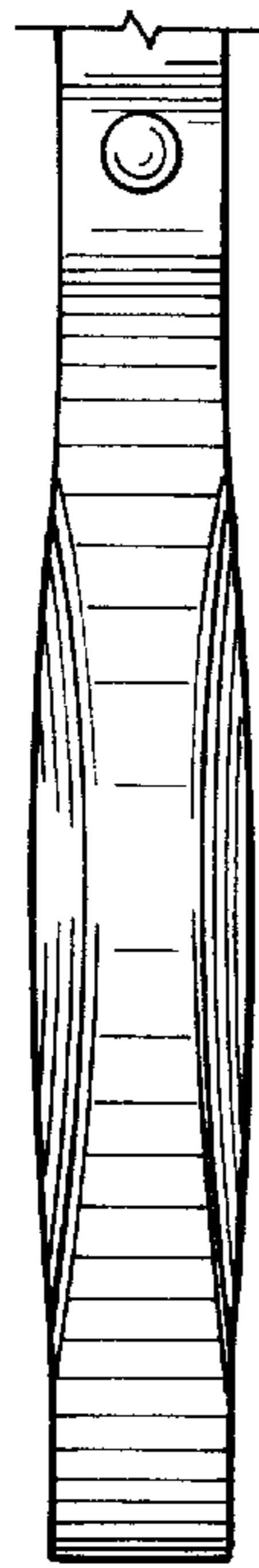


Fig. 8



Fig. 9

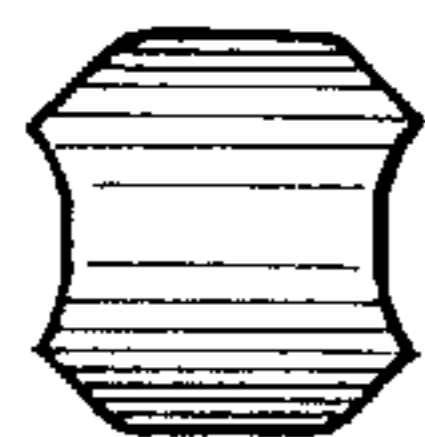


Fig. 10

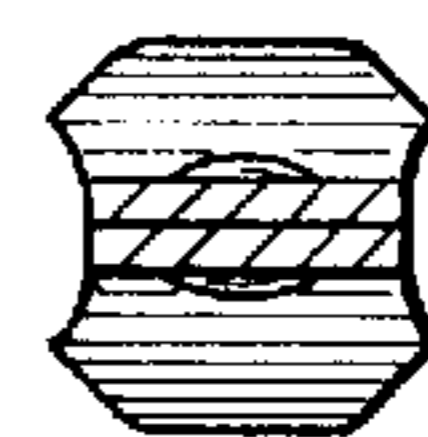


Fig. 11