



US00D427846S

# United States Patent [19] Hajwanie

[11] Patent Number: Des. 427,846

[45] Date of Patent: \*\* Jul. 11, 2000

[54] MICROWAVE DISH COVER

5,979,656 11/1999 Northcott et al. .... 206/564

[76] Inventor: Abieba Hajwanie, 6795 S. 3200 West,  
West Jordan, Utah 84084

Primary Examiner—Caron D. Veynar

[\*\*] Term: 14 Years

[57] CLAIM

The ornamental design for a microwave dish cover, as shown and described.

[21] Appl. No.: 29/107,909

[22] Filed: Jul. 15, 1999

### DESCRIPTION

[51] LOC (7) Cl. .... 07-02

[52] U.S. Cl. .... D7/391

[58] Field of Search ..... D7/629, 323, 354-361,  
D7/391, 392.1, 500, 540, 610, 538, 601;  
126/369; 220/573.1, 574, 912, 780; 206/564

FIG. 1 is a top plan view of the microwave dish cover of the present invention;

FIG. 2 is a front elevational view of the microwave dish cover of FIG. 1, the rear elevational view being a mirror image thereof;

FIG. 3 is a bottom plan view of the microwave dish cover of FIG. 1; and,

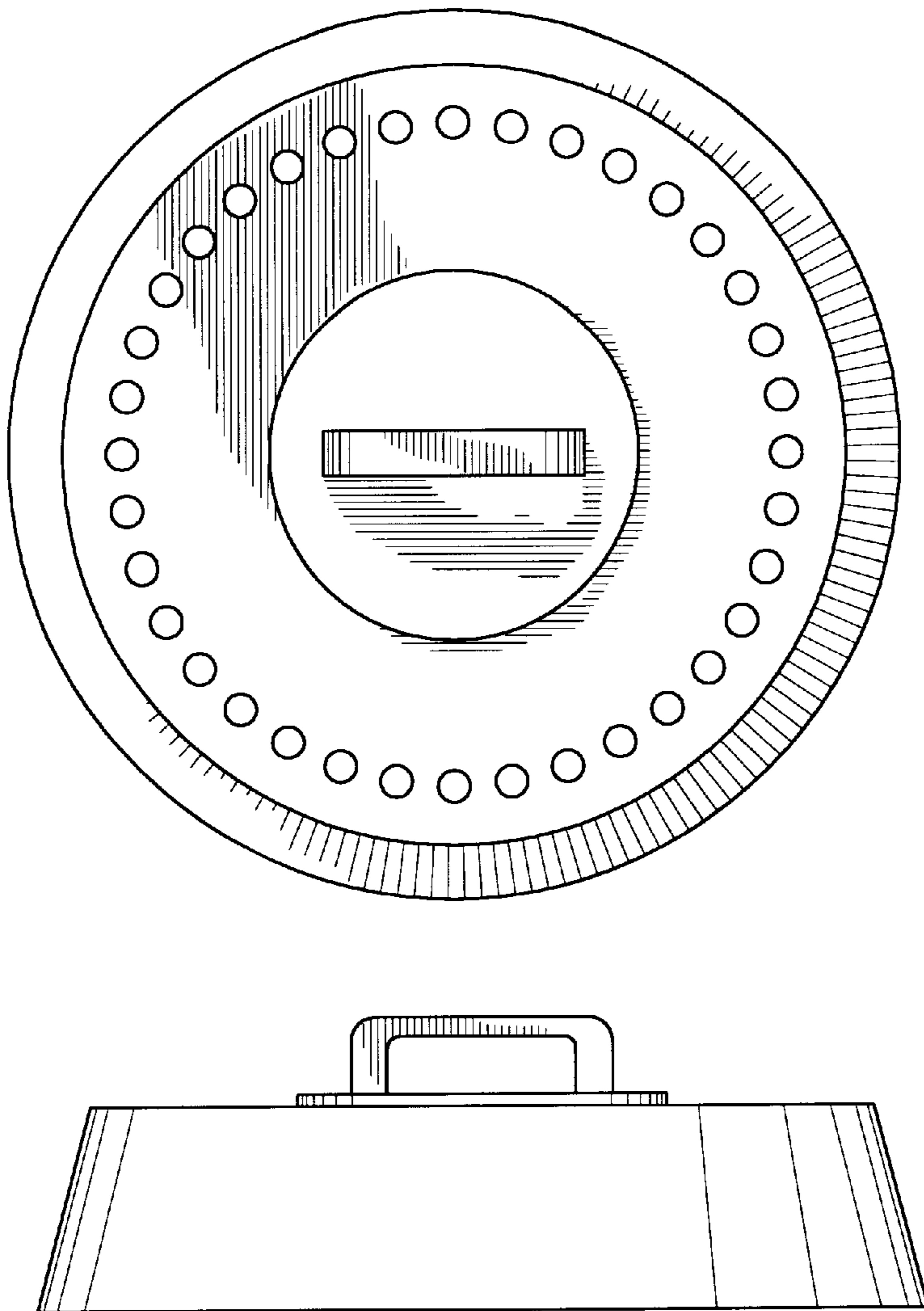
FIG. 4 is a left side elevational view of the microwave dish cover of FIG. 1, the right side elevational view being a mirror image thereof.

### [56] References Cited

#### U.S. PATENT DOCUMENTS

- D. 347,142 5/1994 Falvo ..... D7/391
- D. 364,533 11/1995 Brophy ..... D7/387
- D. 416,436 11/1999 Miller ..... D7/391

1 Claim, 2 Drawing Sheets



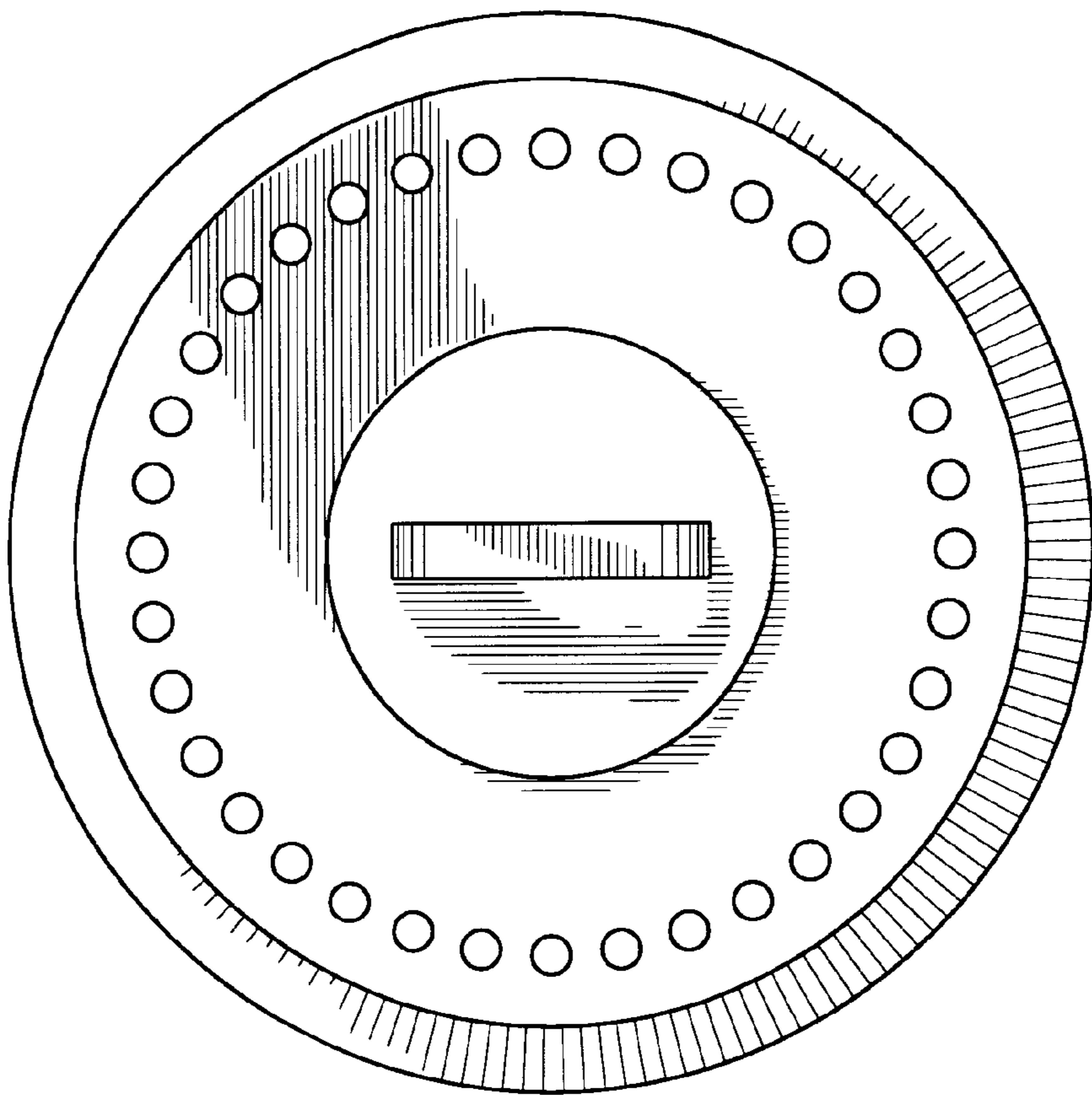


FIG. 1

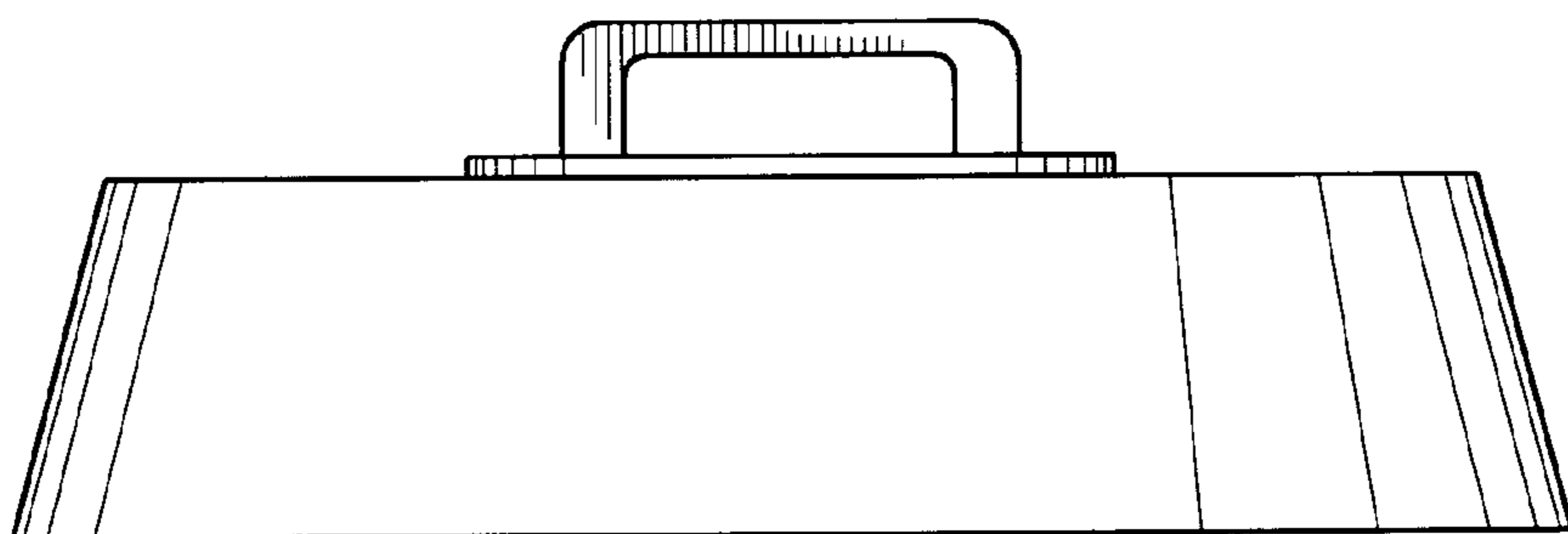


FIG. 2

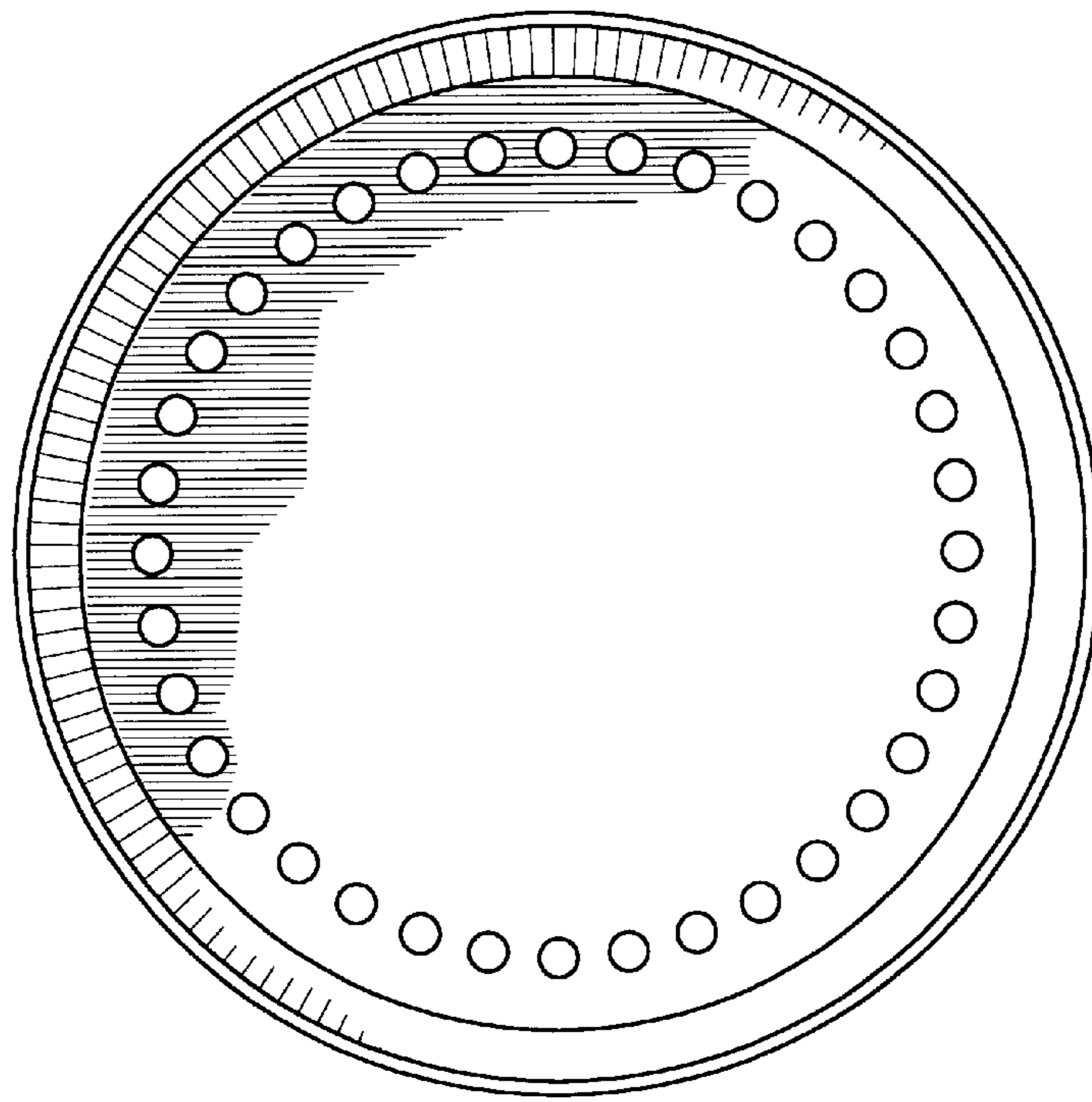


FIG. 3

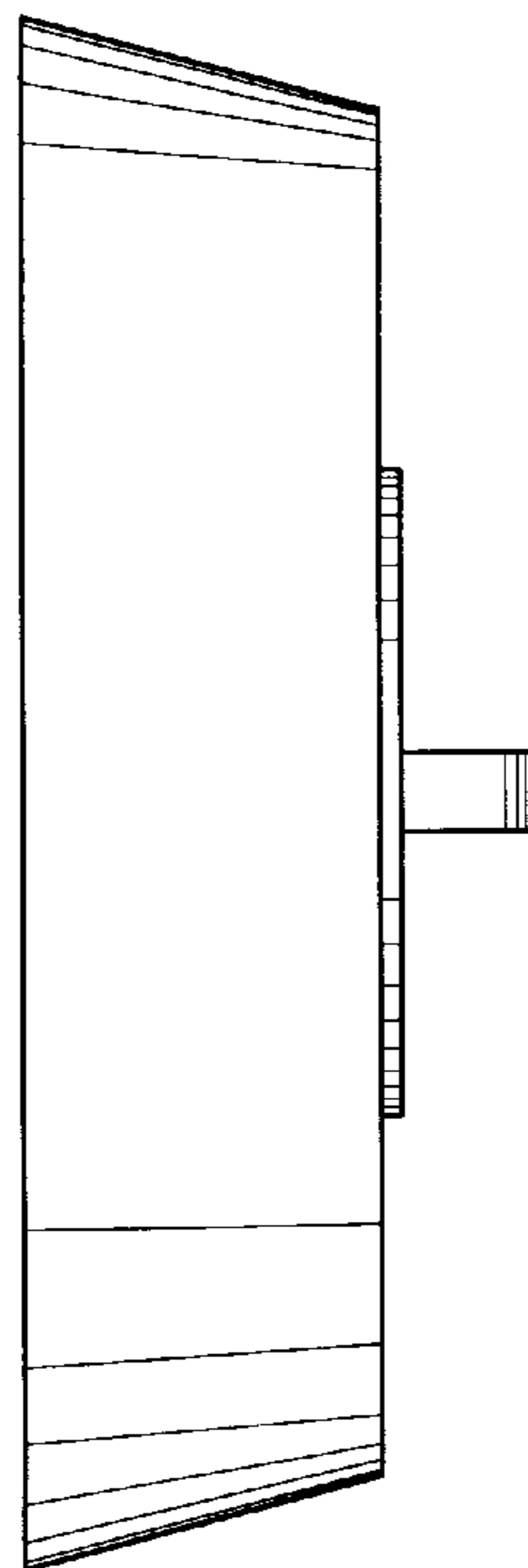


FIG. 4