



US00D427845S

United States Patent [19]

Ferguson et al.

[11] Patent Number: Des. 427,845

[45] Date of Patent: ** Jul. 11, 2000

[54] TRAY SAVING DEVICE

[75] Inventors: **Gerald Ferguson**, Halifax; **Donald Iyoupe**, Chester; **Alfred Myra**, Halifax, all of Canada

[73] Assignee: **PF Marketing**, Halifax, Canada

[**] Term: **14 Years**

[21] Appl. No.: **29/097,120**

[22] Filed: **Nov. 30, 1998**

[30] Foreign Application Priority Data

Jun. 1, 1998 [CA] Canada 1998-1343

[51] LOC (7) Cl. **07-99**

[52] U.S. Cl. **D7/388**; D7/396.1

[58] Field of Search D7/388, 552.2, D7/389, 403, 704, 355, 367, 396.1, 401.1, 409, 592, 601; D6/458, 468; 220/94 R, 95, 401; 294/26.5, 172; 248/153; 99/425, 426; 126/337 R

[56] References Cited

U.S. PATENT DOCUMENTS

D. 58,205 6/1921 Andrews, Jr. D7/388

D. 174,926	6/1955	Semler	D7/388
D. 188,556	8/1960	Theisen	D7/388
D. 192,227	2/1962	Theisen	D7/388
D. 240,105	6/1976	Boyd et al.	D7/388
D. 258,631	3/1981	Lax	D7/542
D. 316,944	5/1991	Manna	D7/388
D. 323,255	1/1992	Titus	D6/458
D. 339,266	9/1993	Lockett	D7/409
D. 371,719	7/1996	Perry	D7/388
D. 405,290	2/1999	Hollinger	D6/403
D. 416,169	11/1999	Sarnoff et al.	D7/388
3,986,445	10/1976	Hooton	99/426
4,648,379	3/1987	Fordyce	126/337 R

Primary Examiner—M. N. Pandozzi
Attorney, Agent, or Firm—Baker Botts L.L.P.

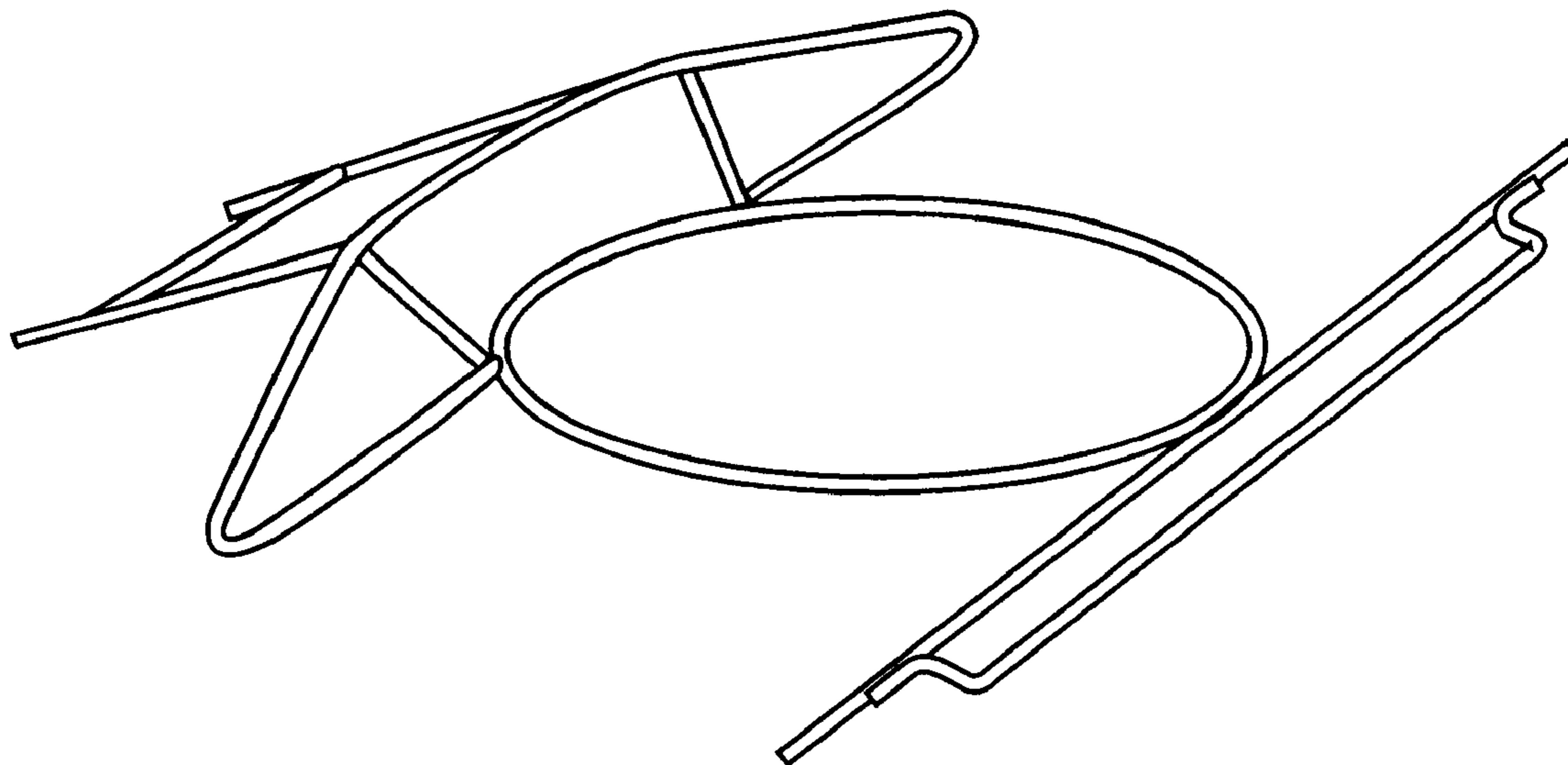
[57] CLAIM

The ornamental design for a tray saving device, as shown and described.

DESCRIPTION

FIG. 1 is a perspective view of the tray saving device; FIG. 2 is a front view thereof; FIG. 3 is a right side view thereof; and, FIG. 4 is a top plan view thereof.

1 Claim, 1 Drawing Sheet



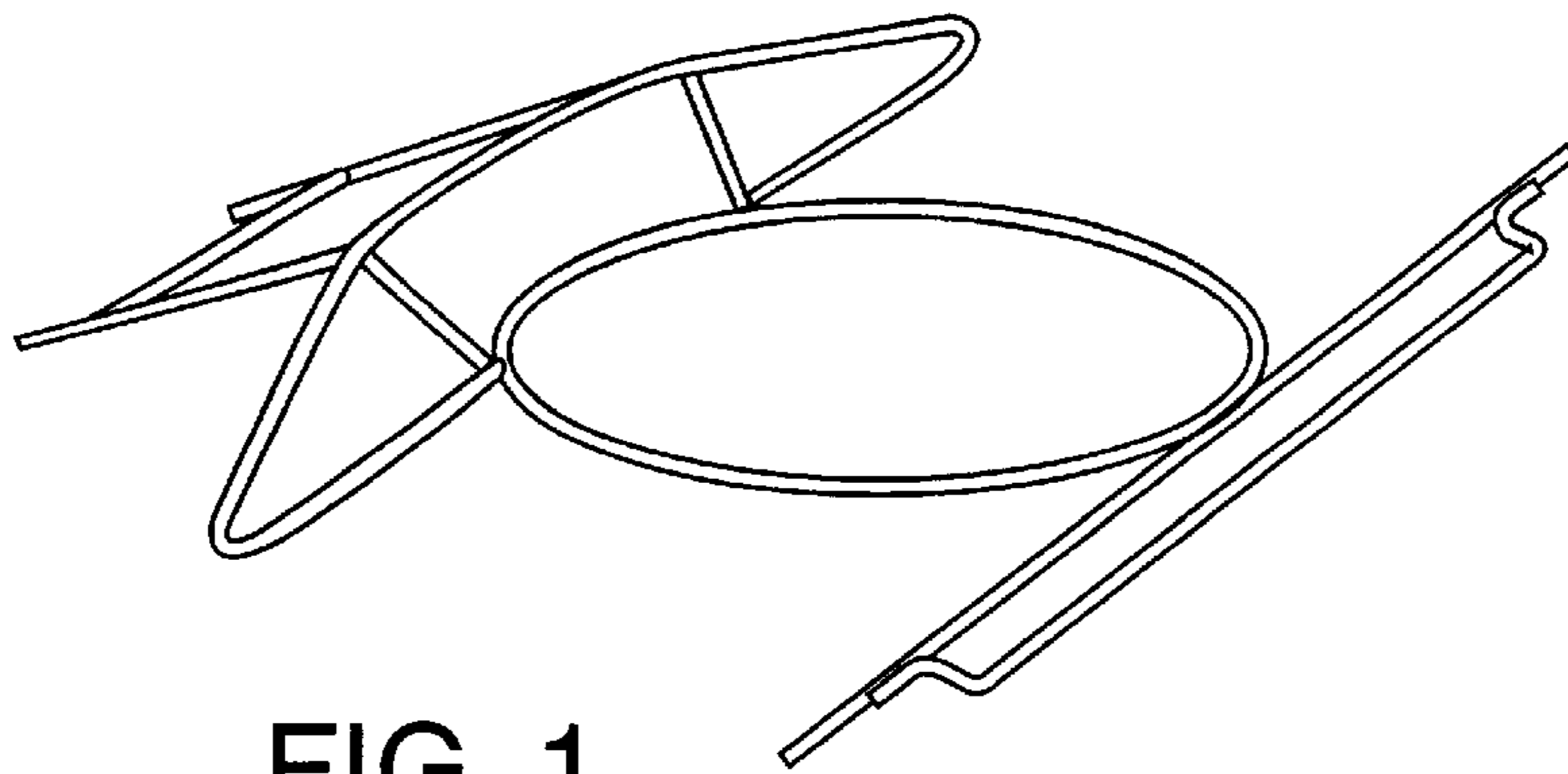


FIG. 1

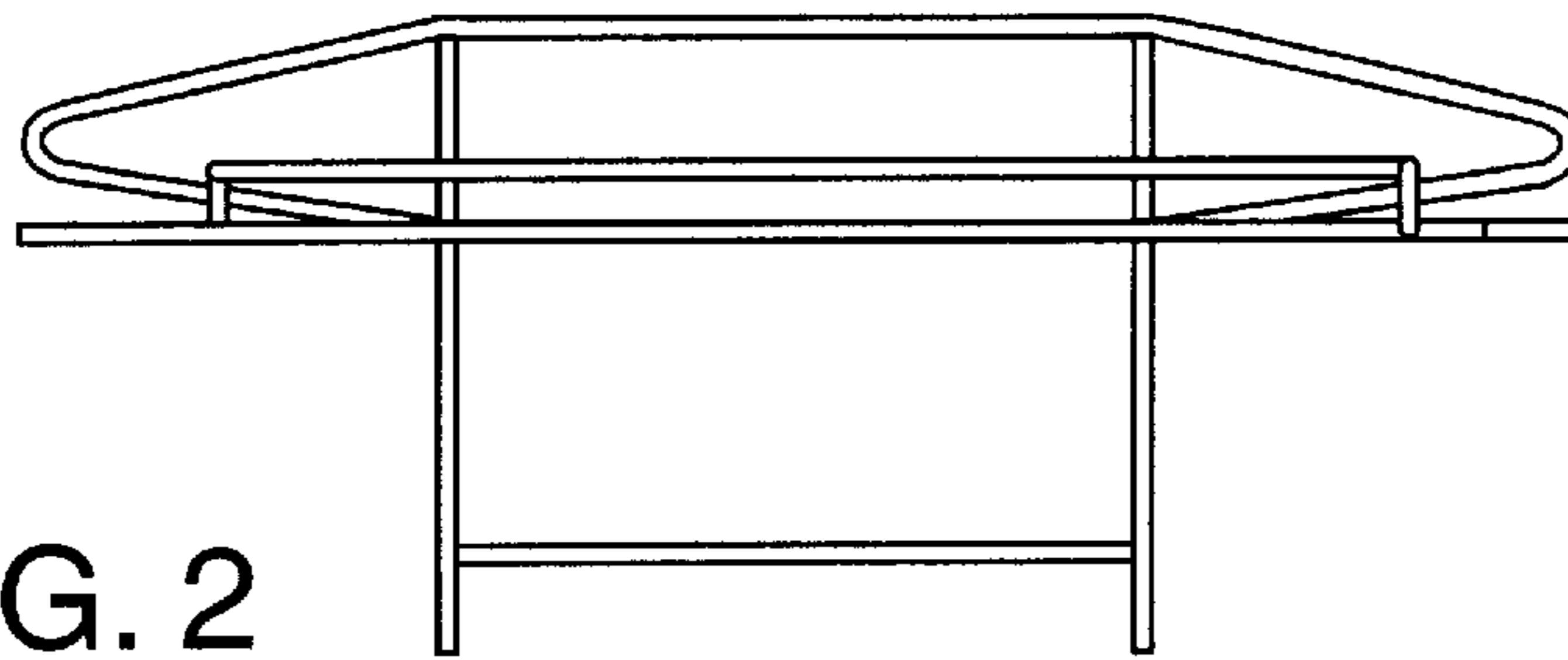


FIG. 2

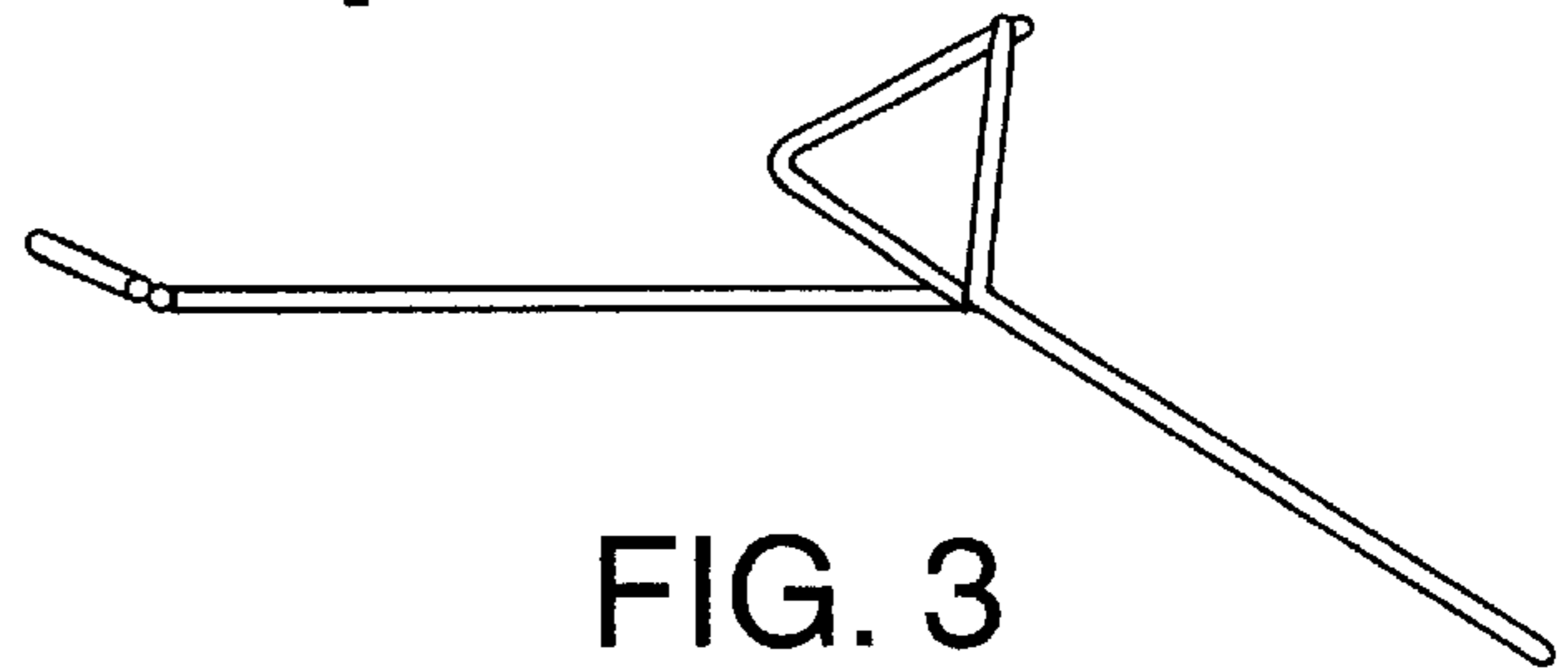


FIG. 3

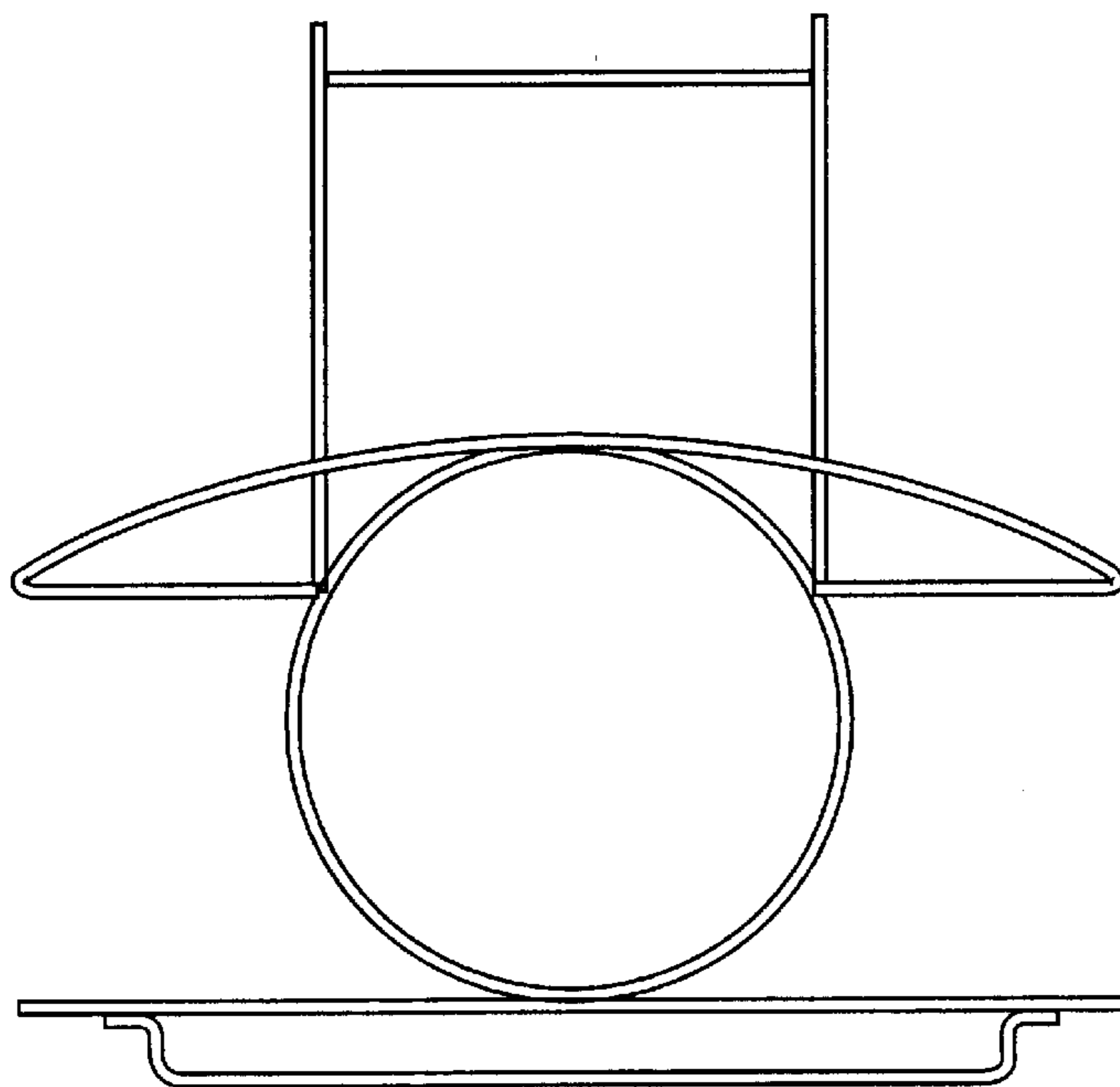


FIG. 4