



US00D427843S

United States Patent [19] Van Over

[11] Patent Number: **Des. 427,843**

[45] Date of Patent: **** Jul. 11, 2000**

[54] **BREAD BAKING STONE FOR OVENS**

[76] Inventor: **Charles Van Over**, 49 Ferry Rd., P.O. Box 449, Chester, Conn. 06412

[**] Term: **14 Years**

[21] Appl. No.: **29/095,078**

[22] Filed: **Oct. 15, 1998**

[51] **LOC (7) Cl.** **07-02**

[52] **U.S. Cl.** **D7/362; D7/402**

[58] **Field of Search** D7/332, 337, 362, D7/363, 402, 409; 126/12, 22, 39 R, 369, 246, 273.5, 337 R, 375 R, 400; 99/422, 447, 426; 220/592.01; D25/112, 113; D6/396

[56] **References Cited**

U.S. PATENT DOCUMENTS

D. 119,808	4/1940	Merritt	D7/357
D. 138,062	6/1944	Breen	D7/338
D. 236,791	9/1975	Bruno et al.	D7/388
D. 267,922	2/1983	Schweizer	D7/363
D. 385,459	10/1997	Rimback	D7/408
2,718,854	9/1955	Michaelis	432/120

4,127,108	11/1978	Krohe	.
4,455,927	6/1984	Schweizer 99/425
4,538,590	9/1985	Oh 126/390
4,640,265	2/1987	Romo 126/337 R
4,706,832	11/1987	Citino	.
5,365,833	11/1994	Chen 99/447

Primary Examiner—Ruth McInroy
Attorney, Agent, or Firm—Pearne, Gordon, McCoy & Granger LLP

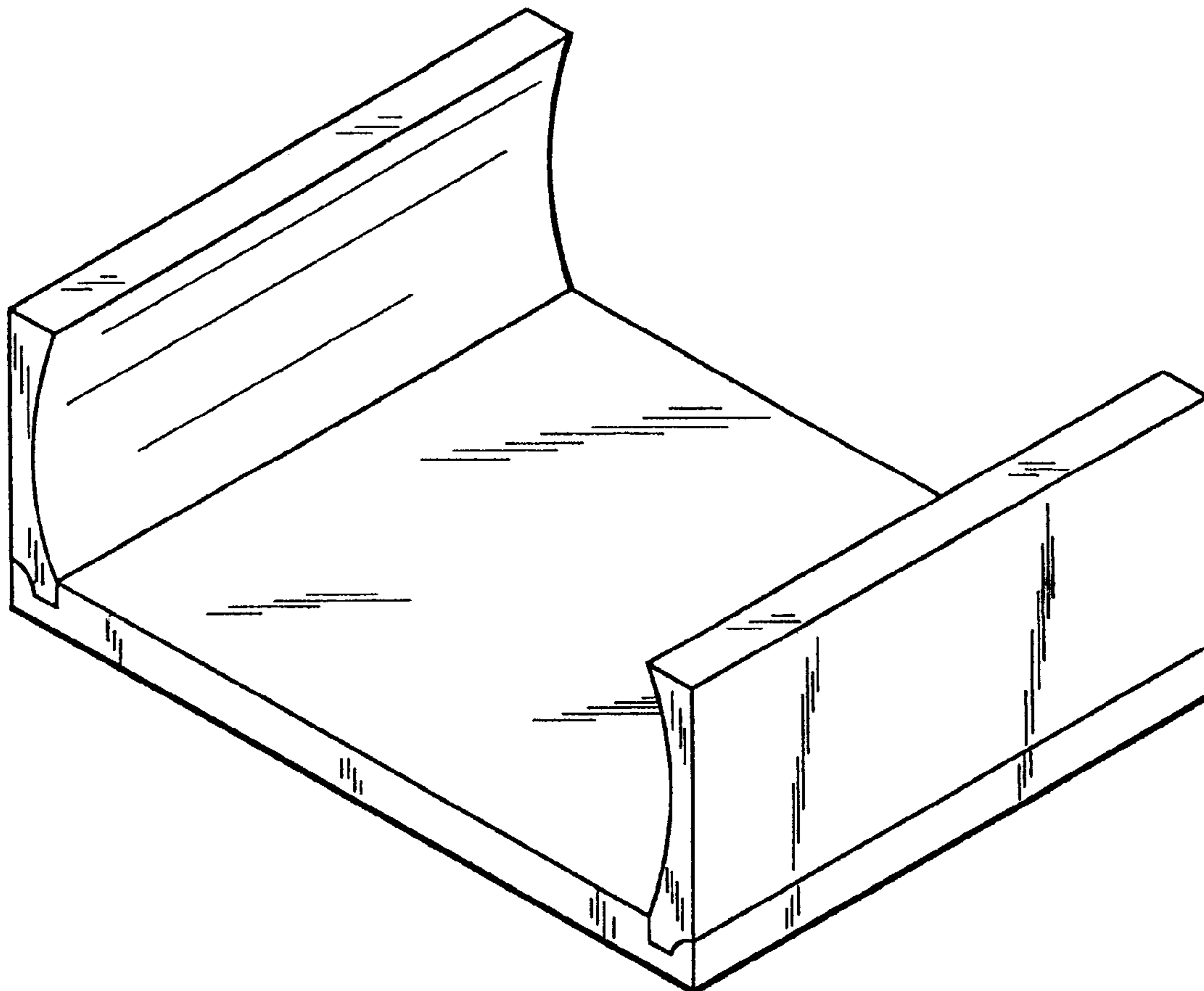
[57] **CLAIM**

The ornamental design for a bread baking stone for ovens, as shown and described.

DESCRIPTION

FIG. 1 is a perspective view of a bread baking stone for ovens showing my new design;
FIG. 2 is a top plan view thereof;
FIG. 3 is a front elevational view thereof, the rear view being a mirror image;
FIG. 4 is a right side elevational view thereof, the left side being a mirror image; and,
FIG. 5 is a bottom plan view thereof.

1 Claim, 2 Drawing Sheets



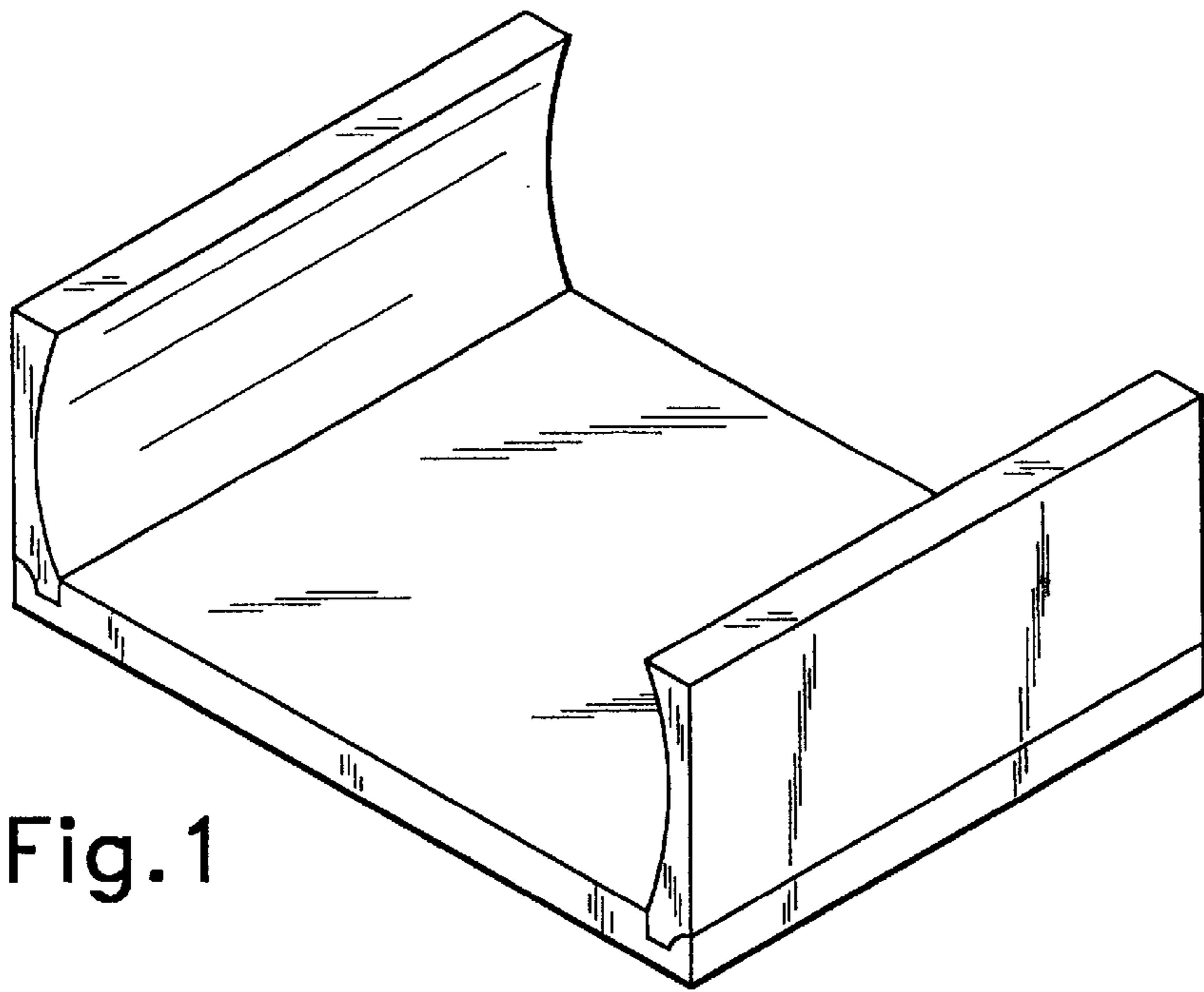


Fig. 1

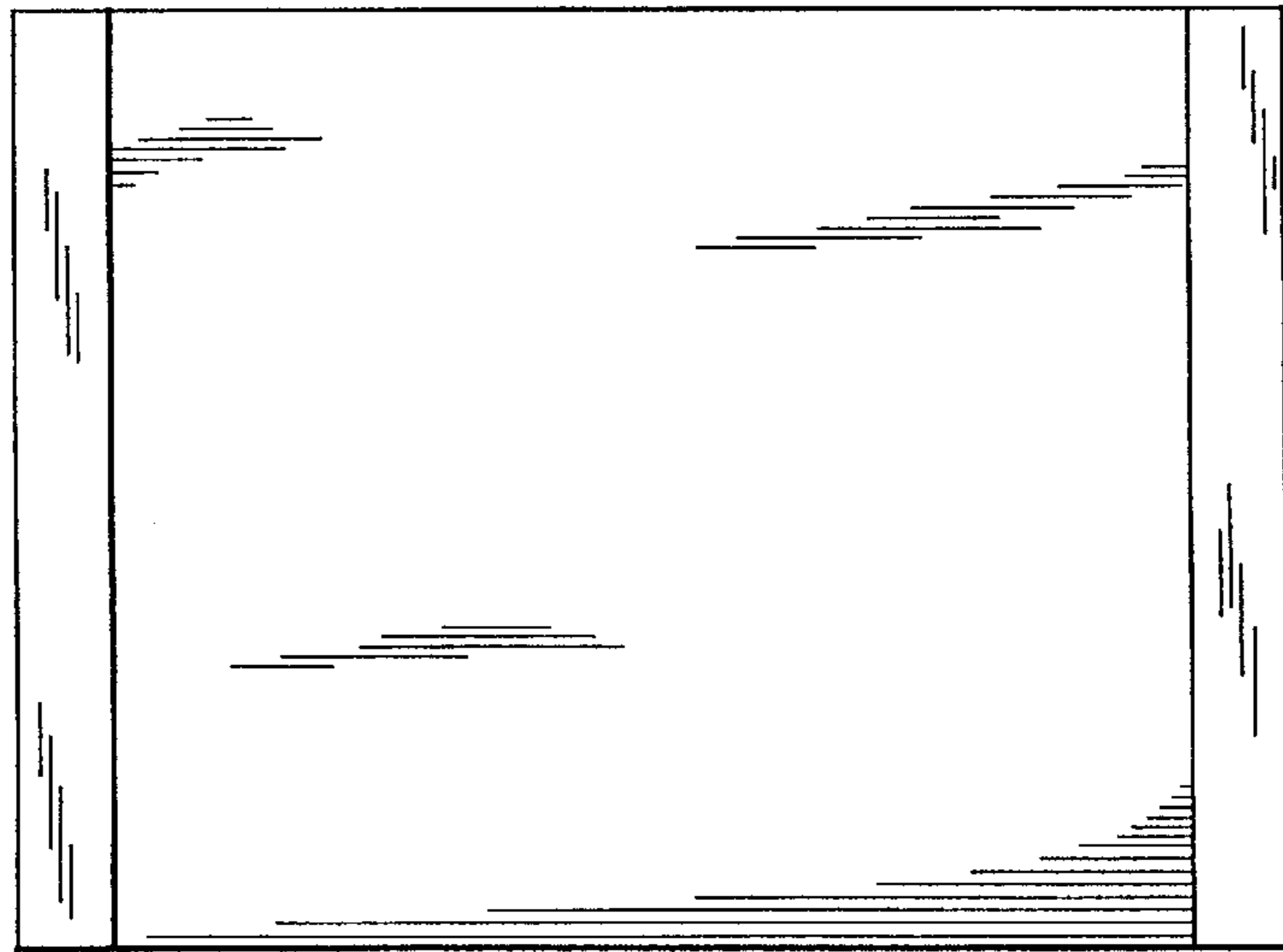


Fig. 2

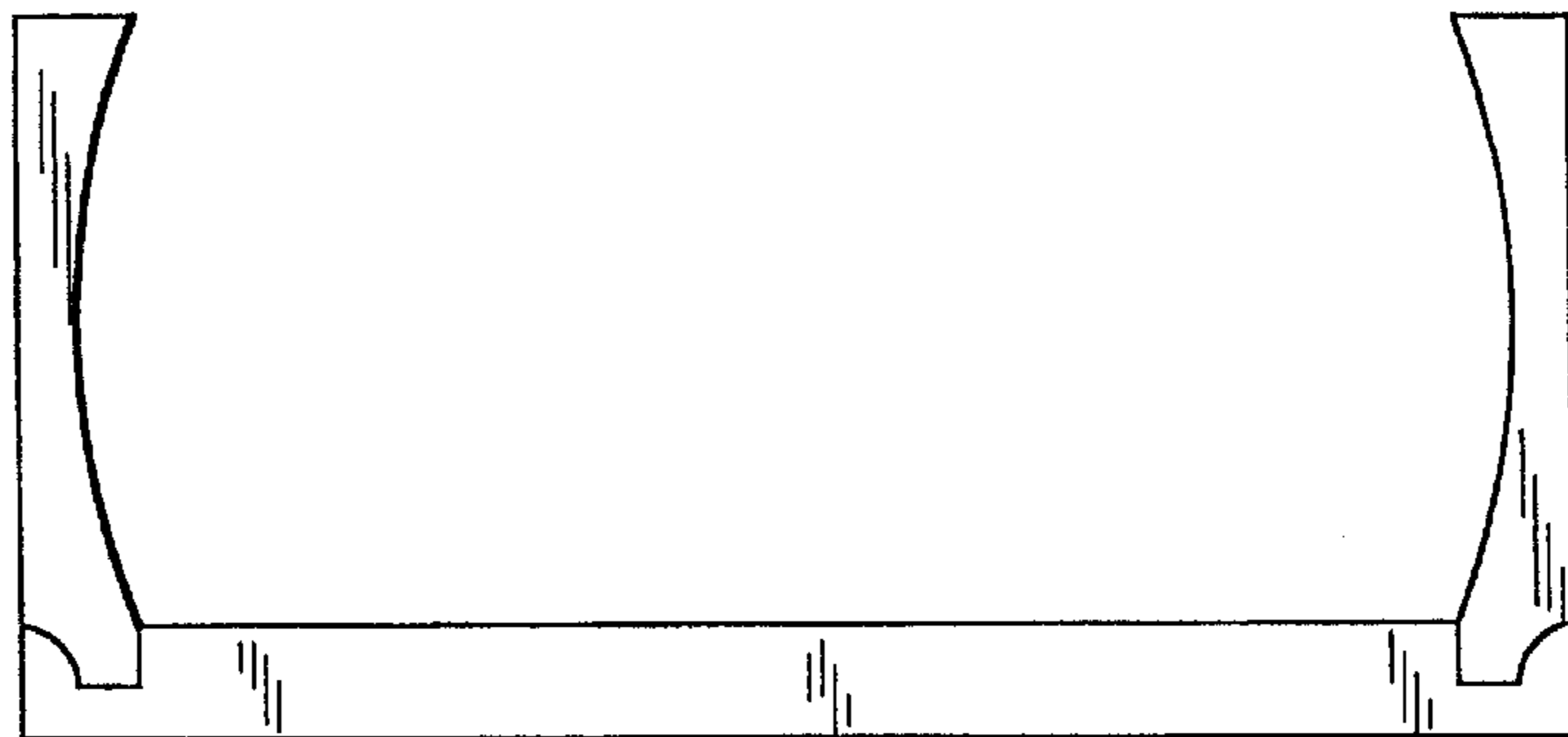


Fig. 3

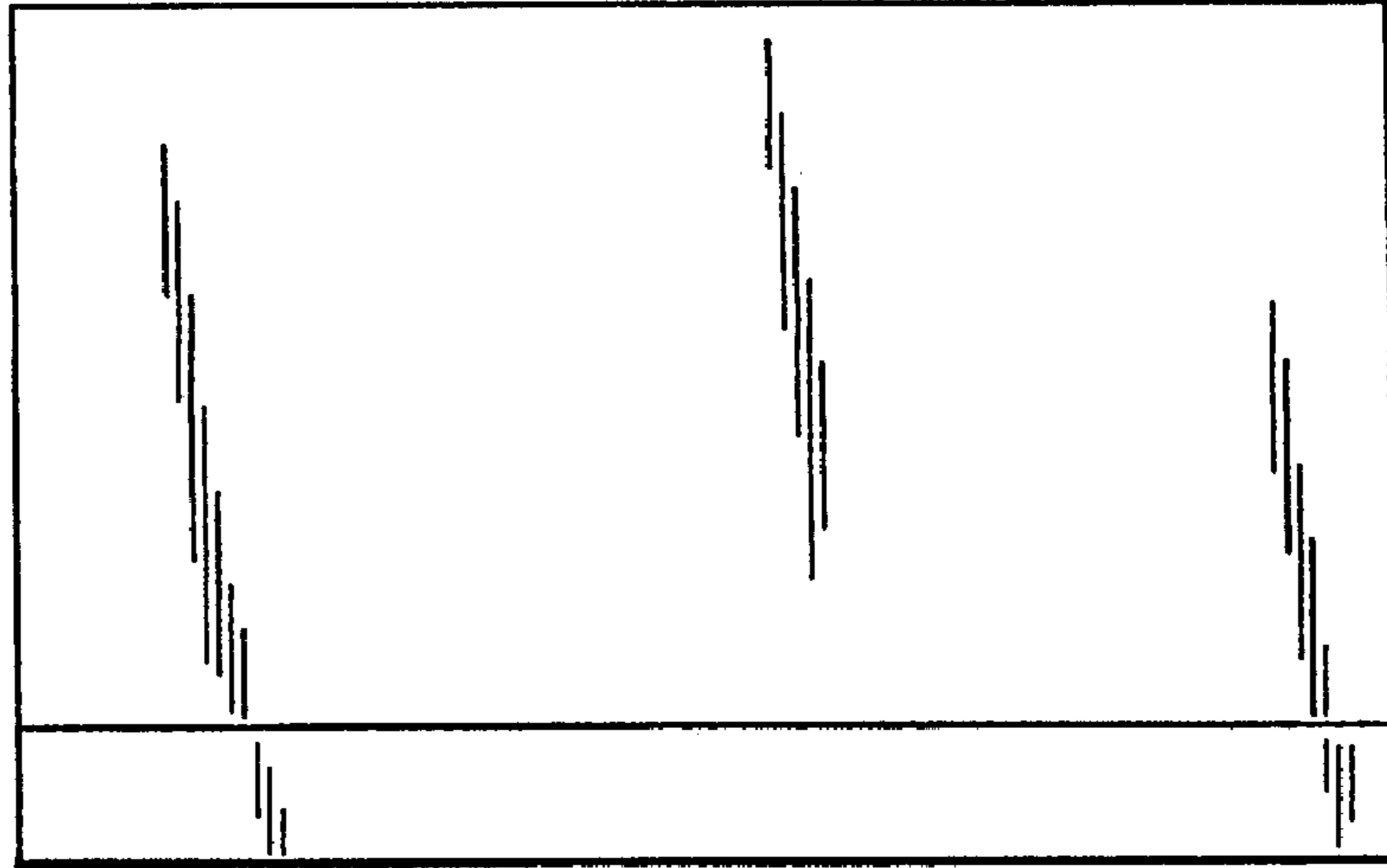


Fig. 4

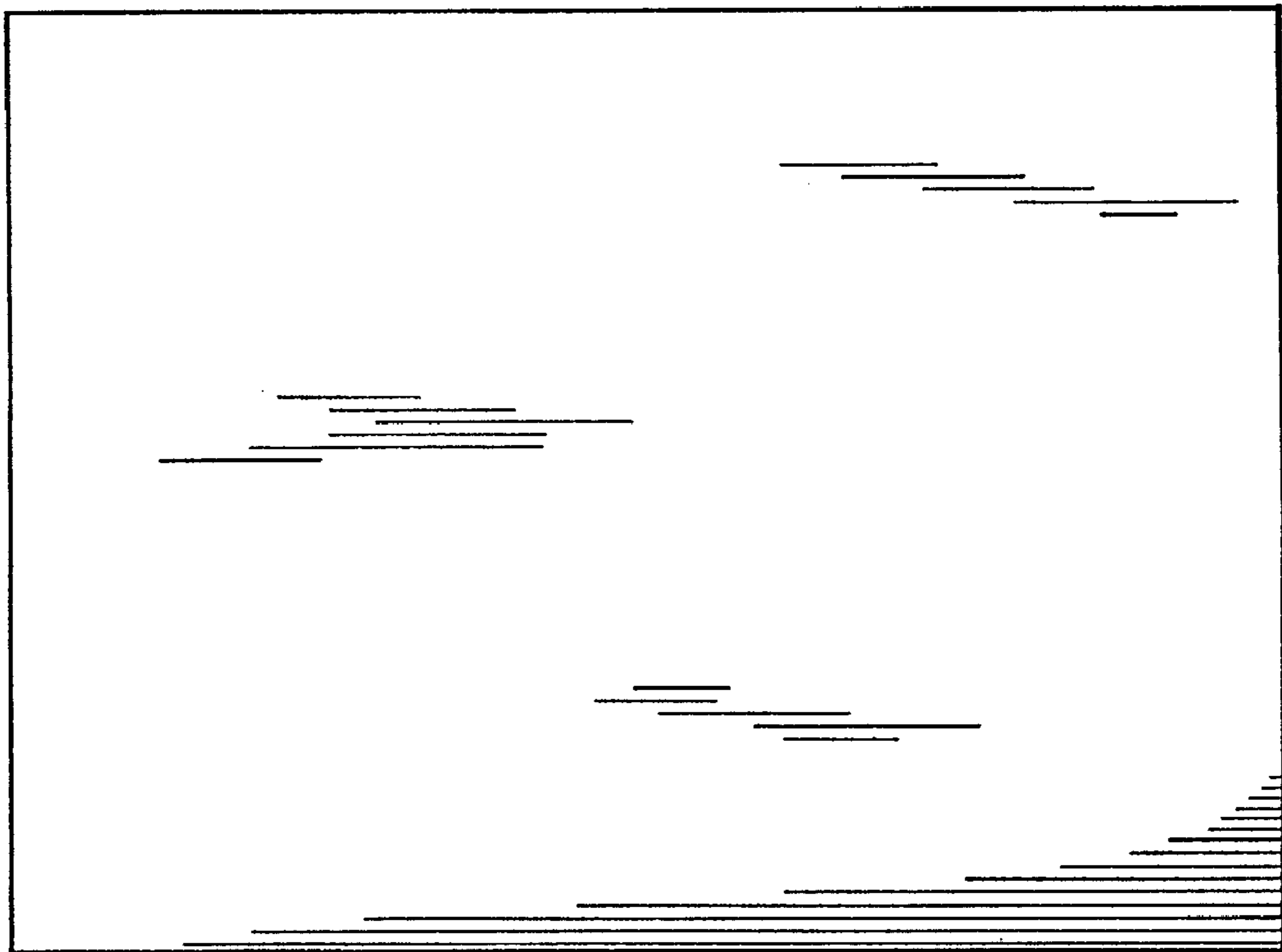


Fig. 5