



US00D427839S

United States Patent [19]

Toyama

[11] Patent Number: **Des. 427,839**

[45] Date of Patent: **** Jul. 11, 2000**

[54] **PORTABLE COOKER**

[75] Inventor: **Seiichi Toyama**, Sanjo, Japan

[73] Assignee: **Green Life Co., Ltd.**, Sanjo, Japan

[**] Term: **14 Years**

[21] Appl. No.: **29/106,696**

[22] Filed: **Jun. 22, 1999**

[30] Foreign Application Priority Data

Dec. 22, 1998 [JP] Japan 10-36995

[51] **LOC (7) Cl.** **07-02**

[52] **U.S. Cl.** **D7/332; D7/337; D7/354**

[58] **Field of Search** **D7/323, 332, 337, D7/354; 99/324, 422, 425; 126/1 R, 25 R, 27, 11**

[56] References Cited

U.S. PATENT DOCUMENTS

D. 21,754 8/1892 Gifford D7/356
D. 292,634 11/1987 Chabot D34/43

D. 305,855 2/1990 Mandat D7/323
D. 361,693 8/1995 Burke D7/337

Primary Examiner—Caron D. Veynar
Attorney, Agent, or Firm—Sughrue, Mion, Zinn, Macpeak & Seas, PLLC

[57] CLAIM

The ornamental design for a portable cooker, as shown and described.

DESCRIPTION

FIG. 1 is a perspective view of the top, front and right side of a portable cooker showing my new design; FIG. 2 is a front elevational view thereof; FIG. 3 is a rear elevational view thereof; FIG. 4 is a right side elevational view thereof; FIG. 5 is a left side elevational view thereof; FIG. 6 is a top plan view thereof; FIG. 7 is a bottom plan view thereof; FIG. 8 is a sectional view taken on the line VII—VII in FIG. 2; and, FIG. 9 is a top plan view with the top cover removed.

1 Claim, 8 Drawing Sheets

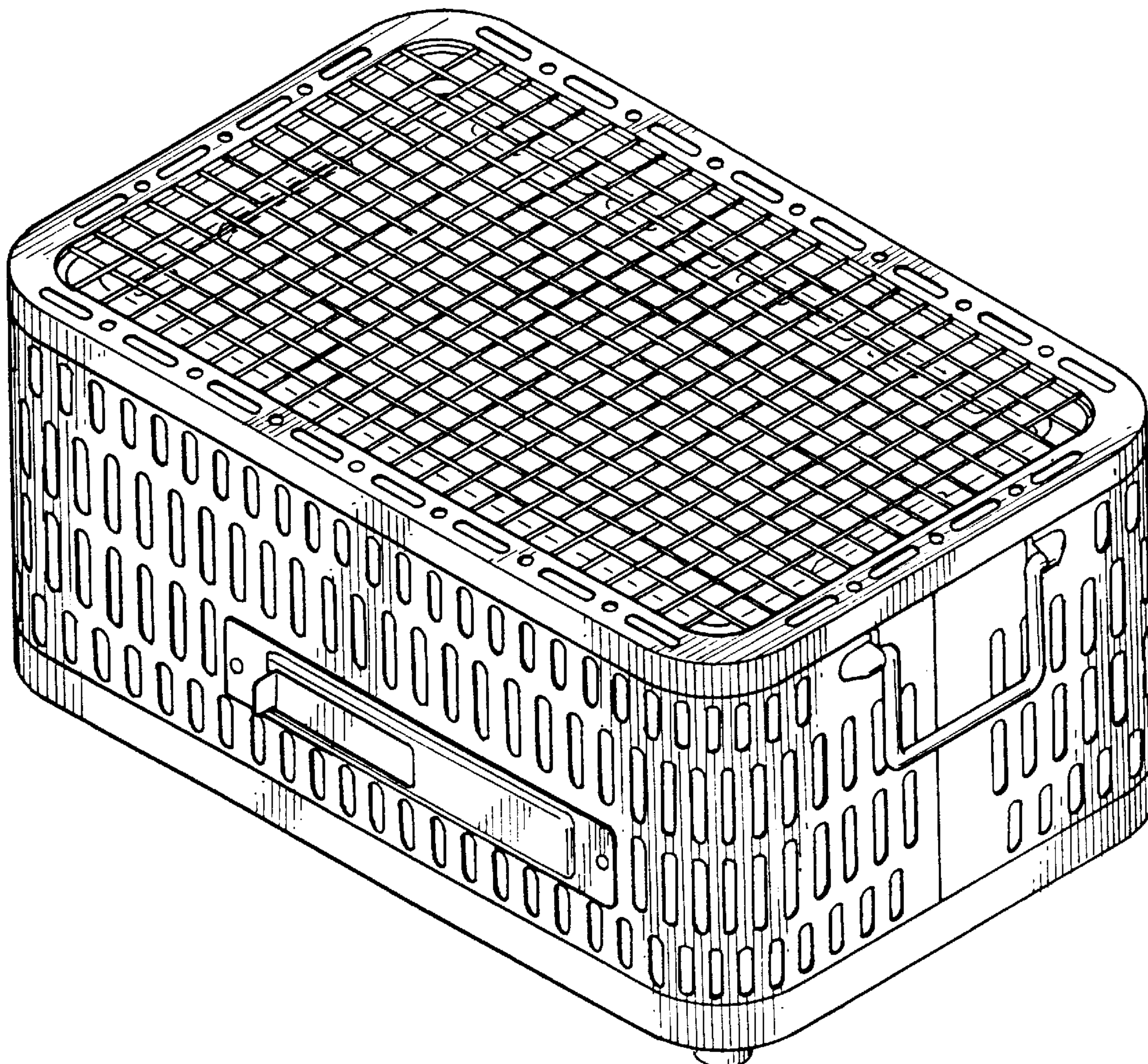


FIG. 1

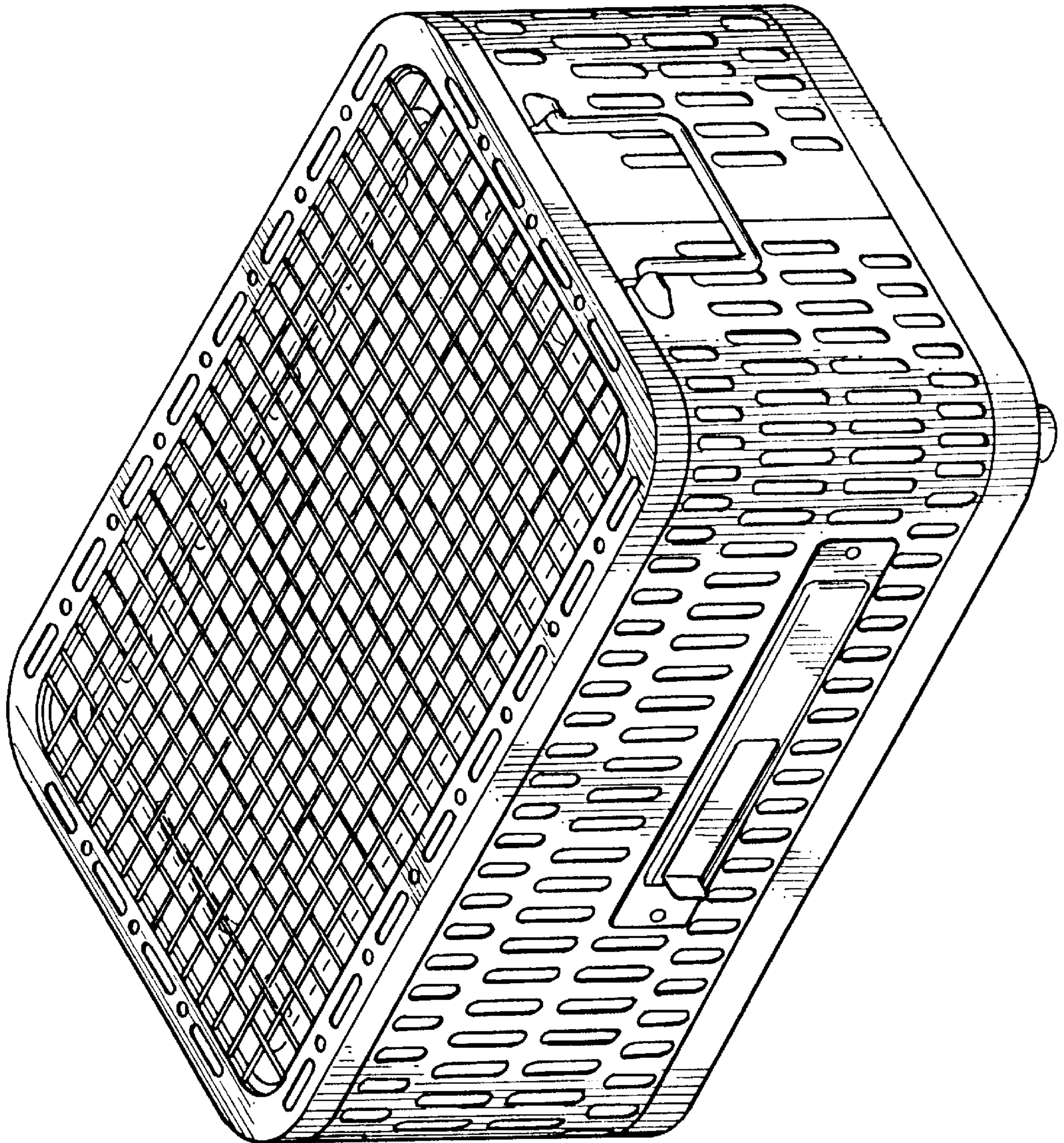


FIG. 2

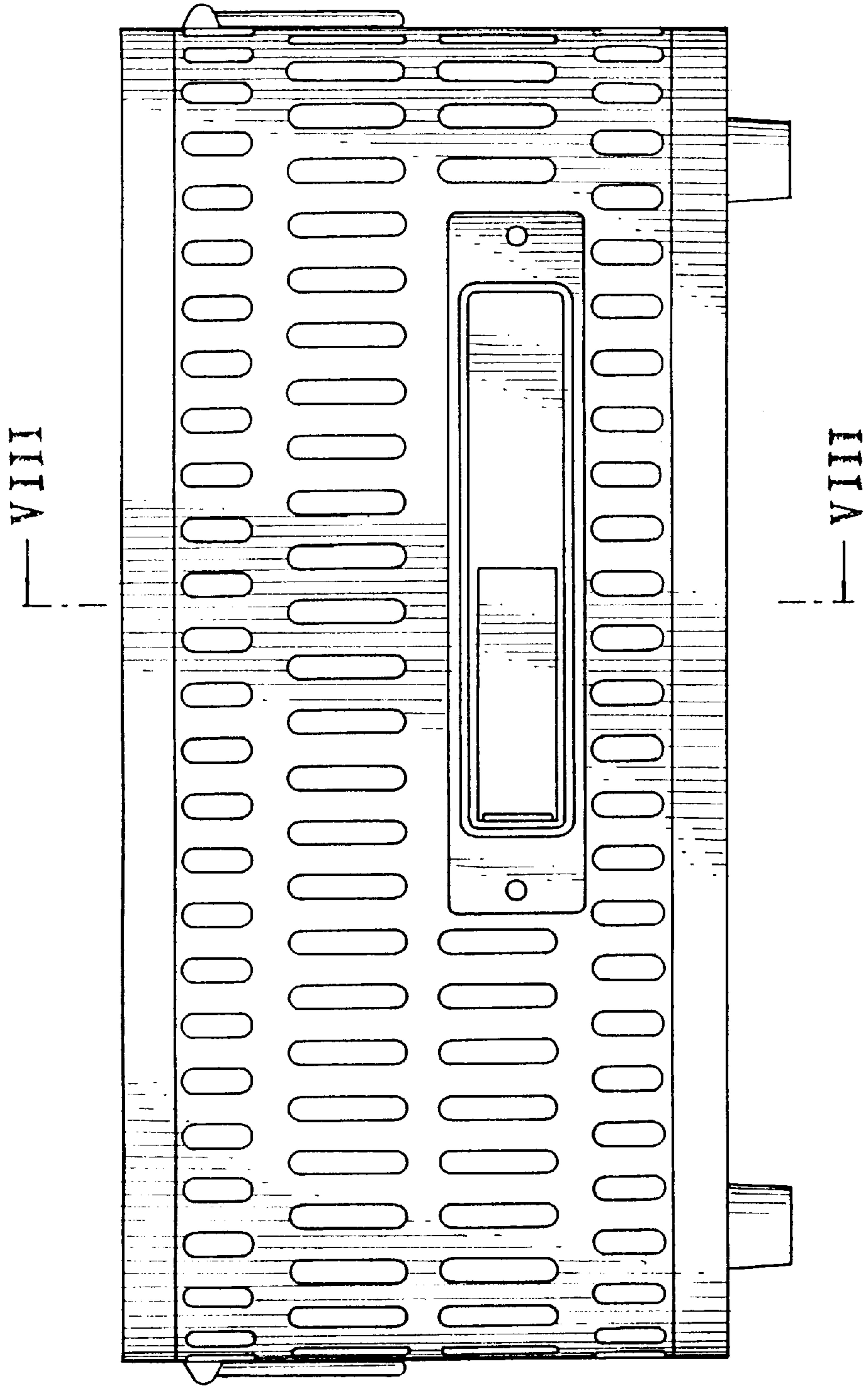


FIG. 3

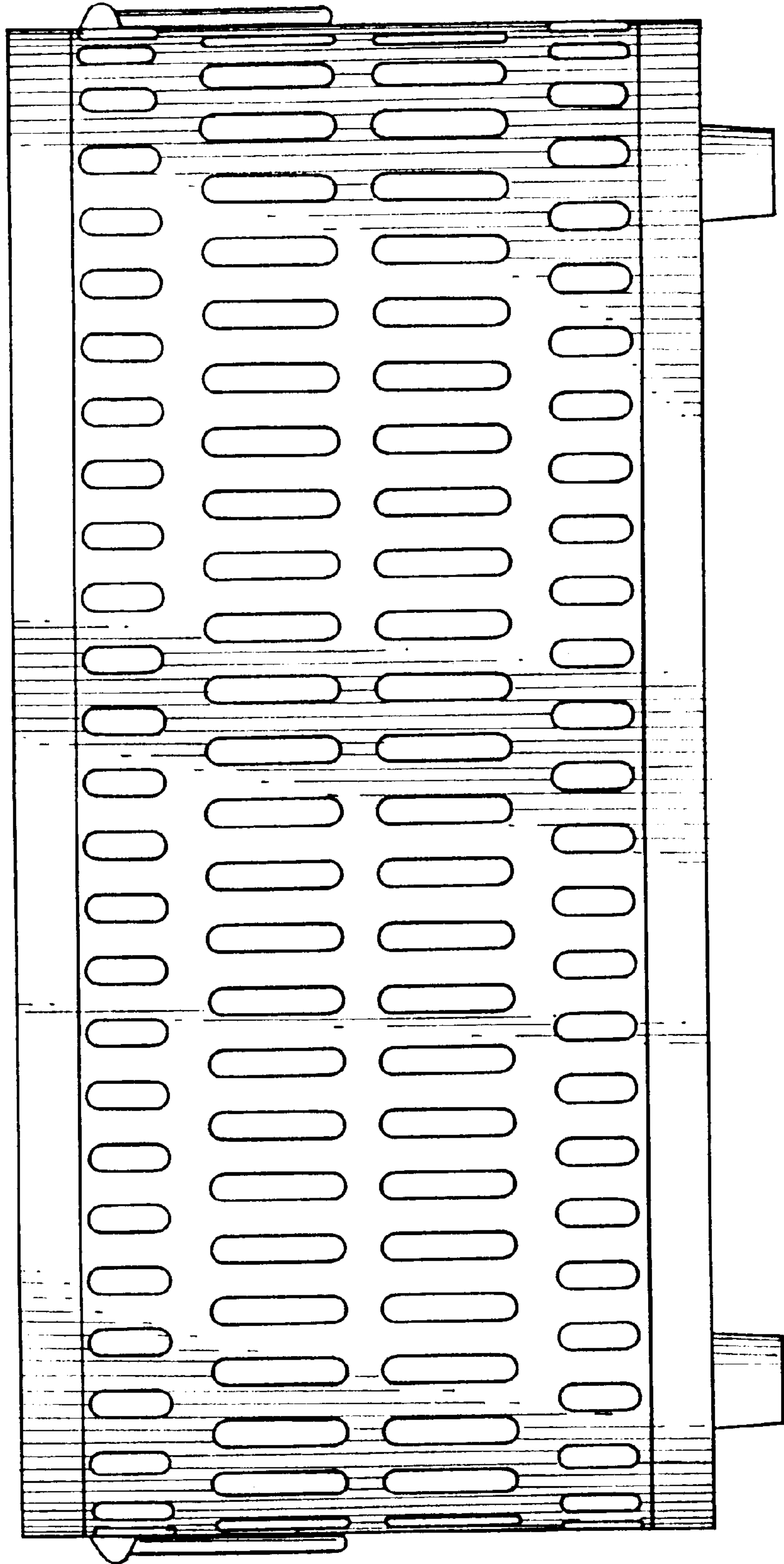


FIG. 4

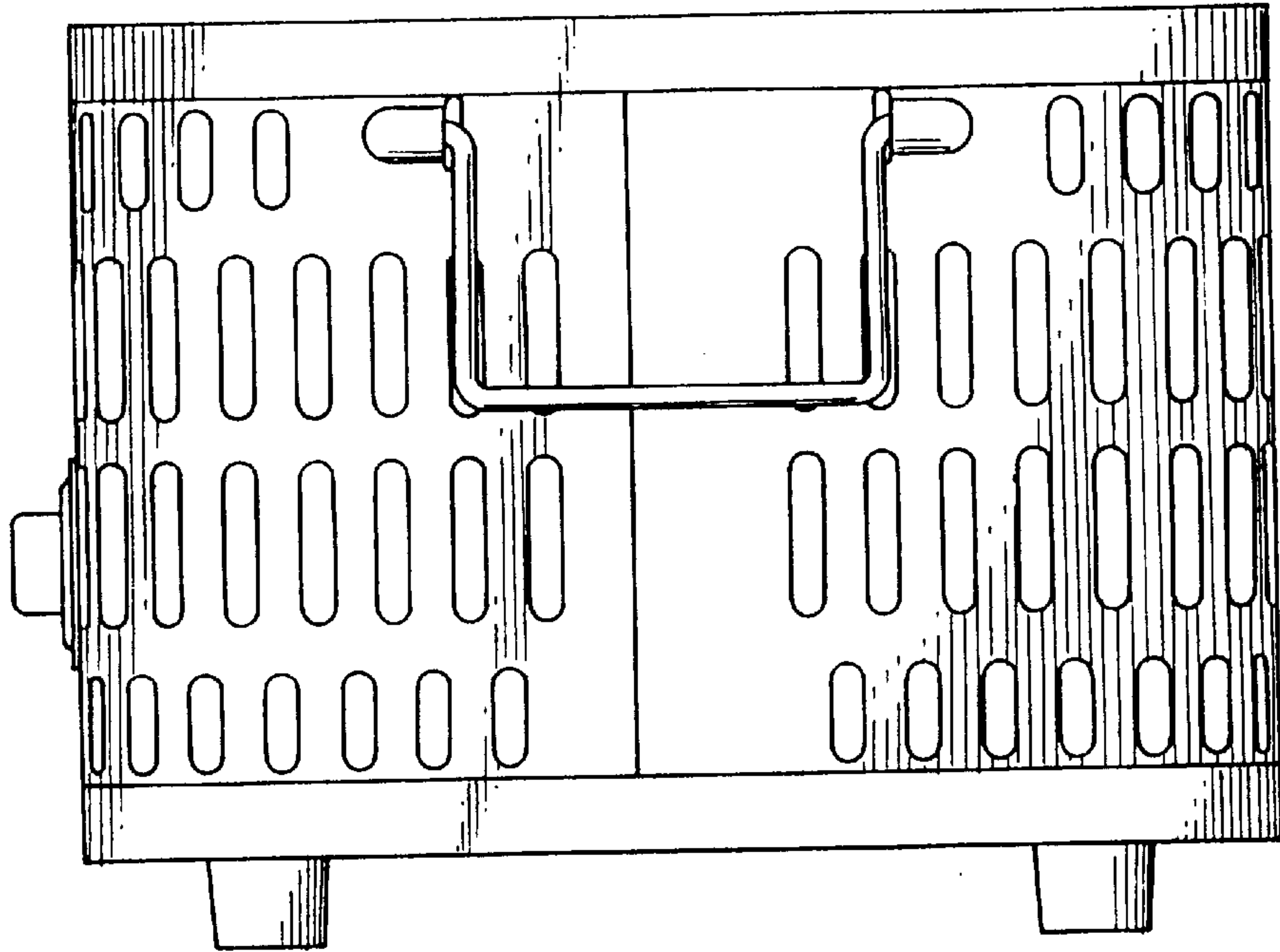


FIG. 5

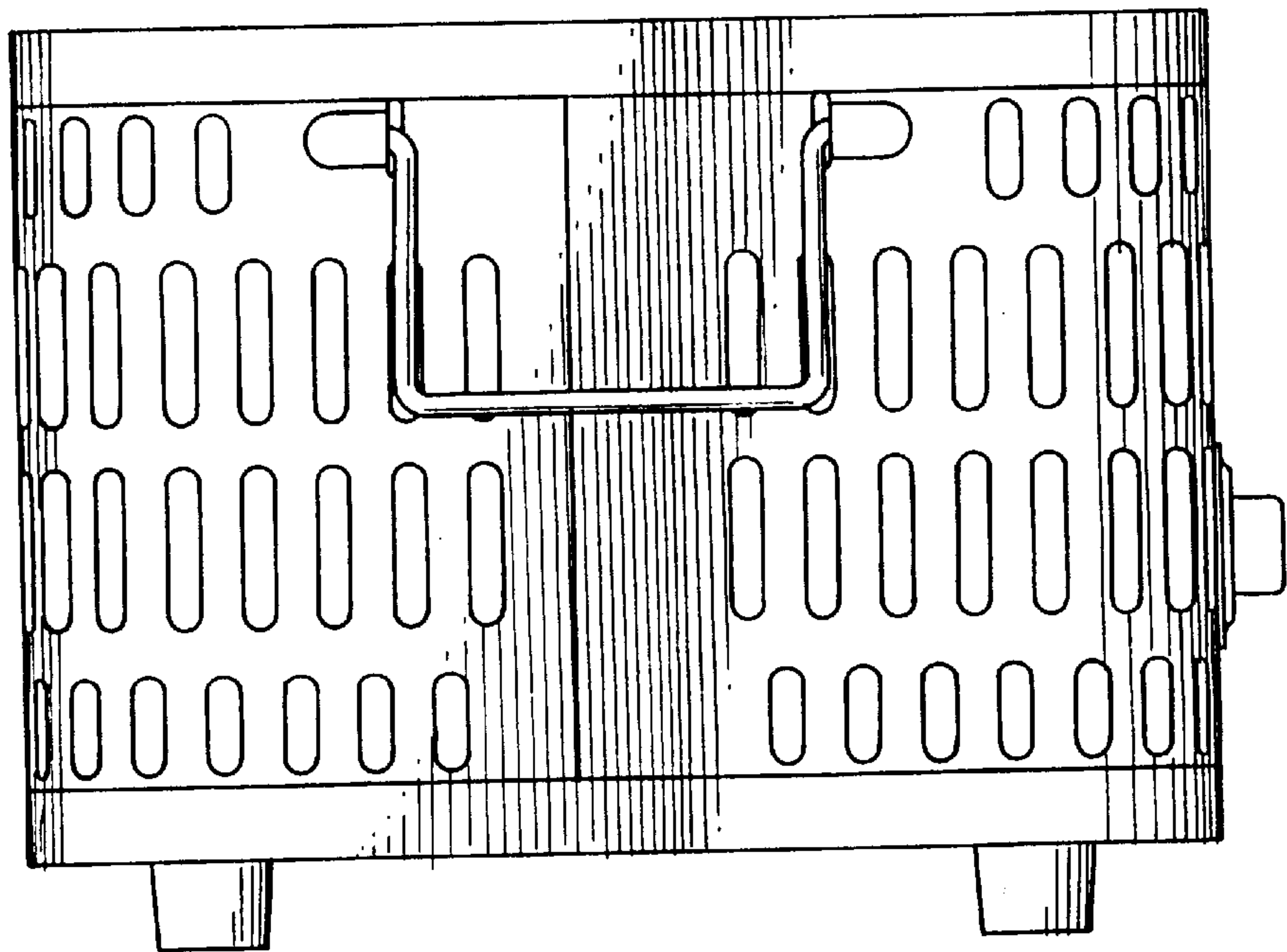


FIG. 6

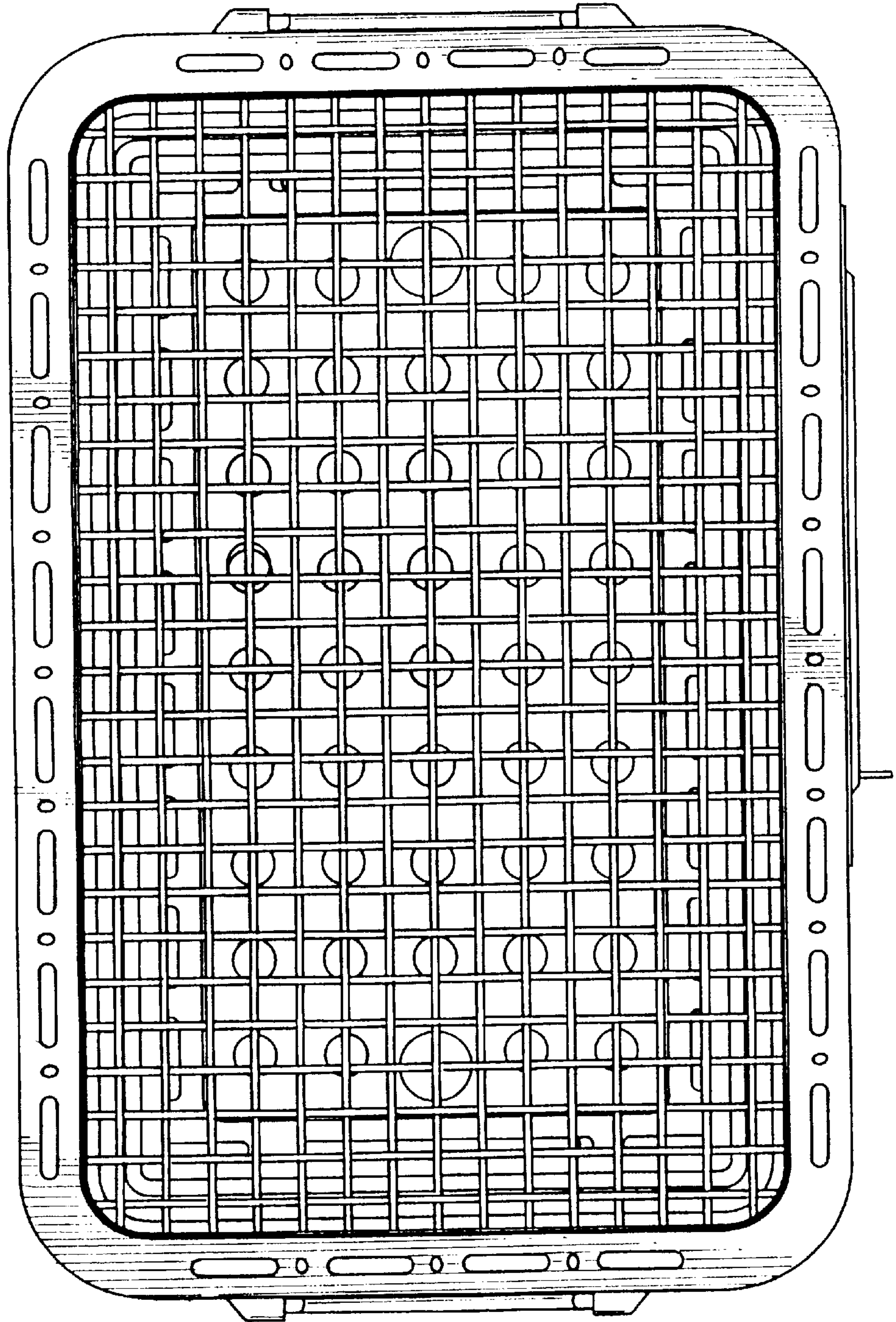


FIG. 7

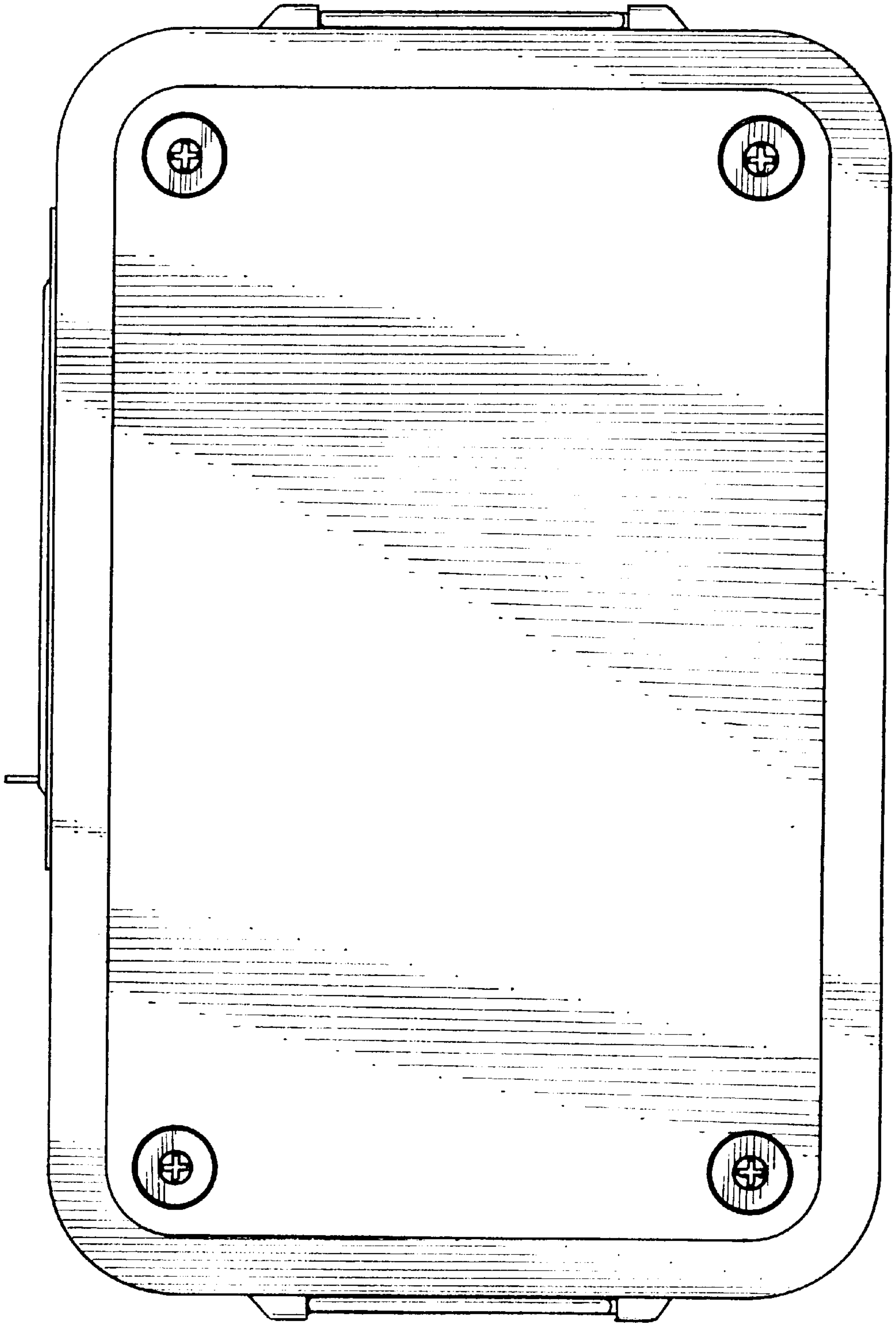


FIG. 8

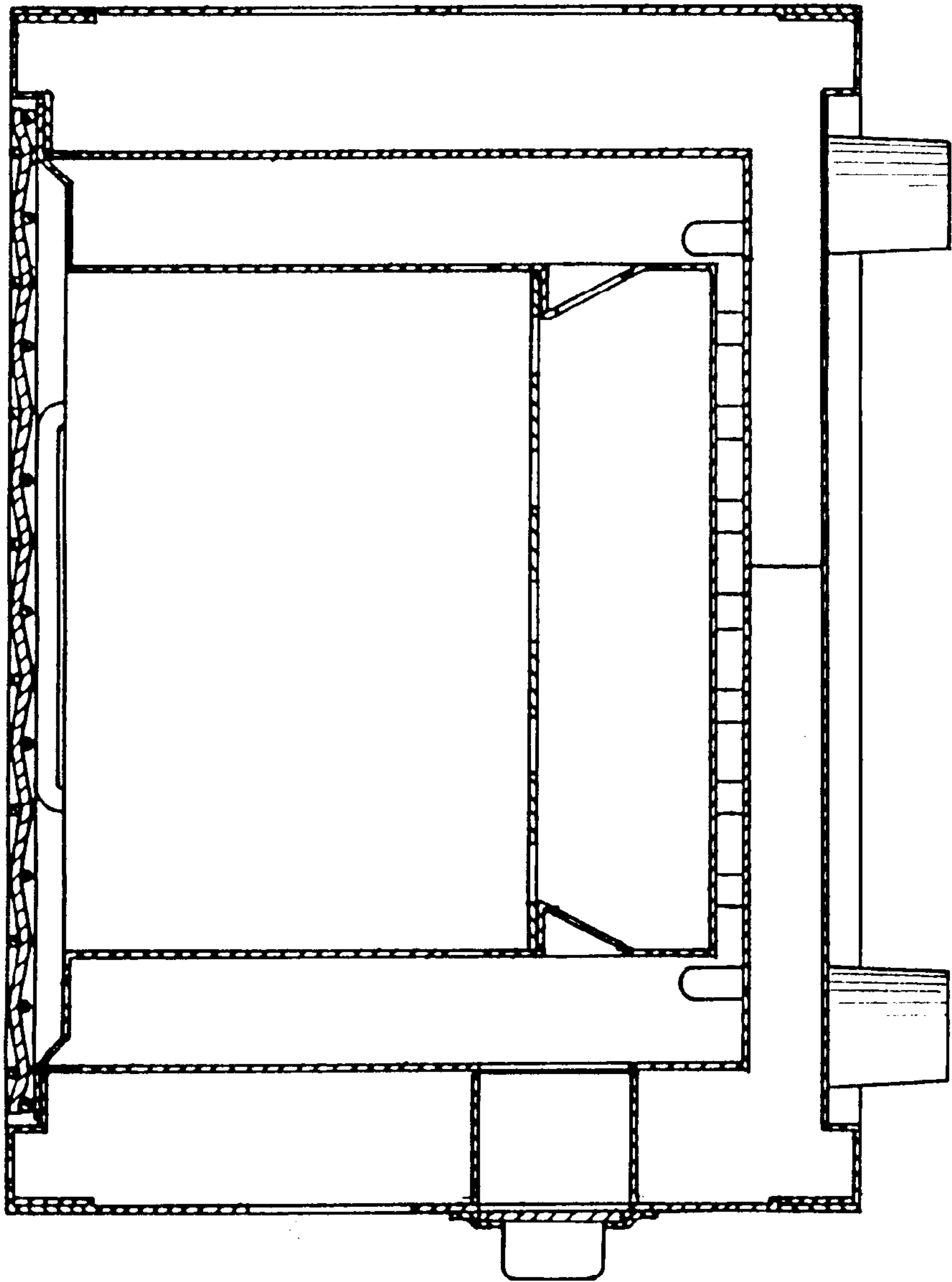
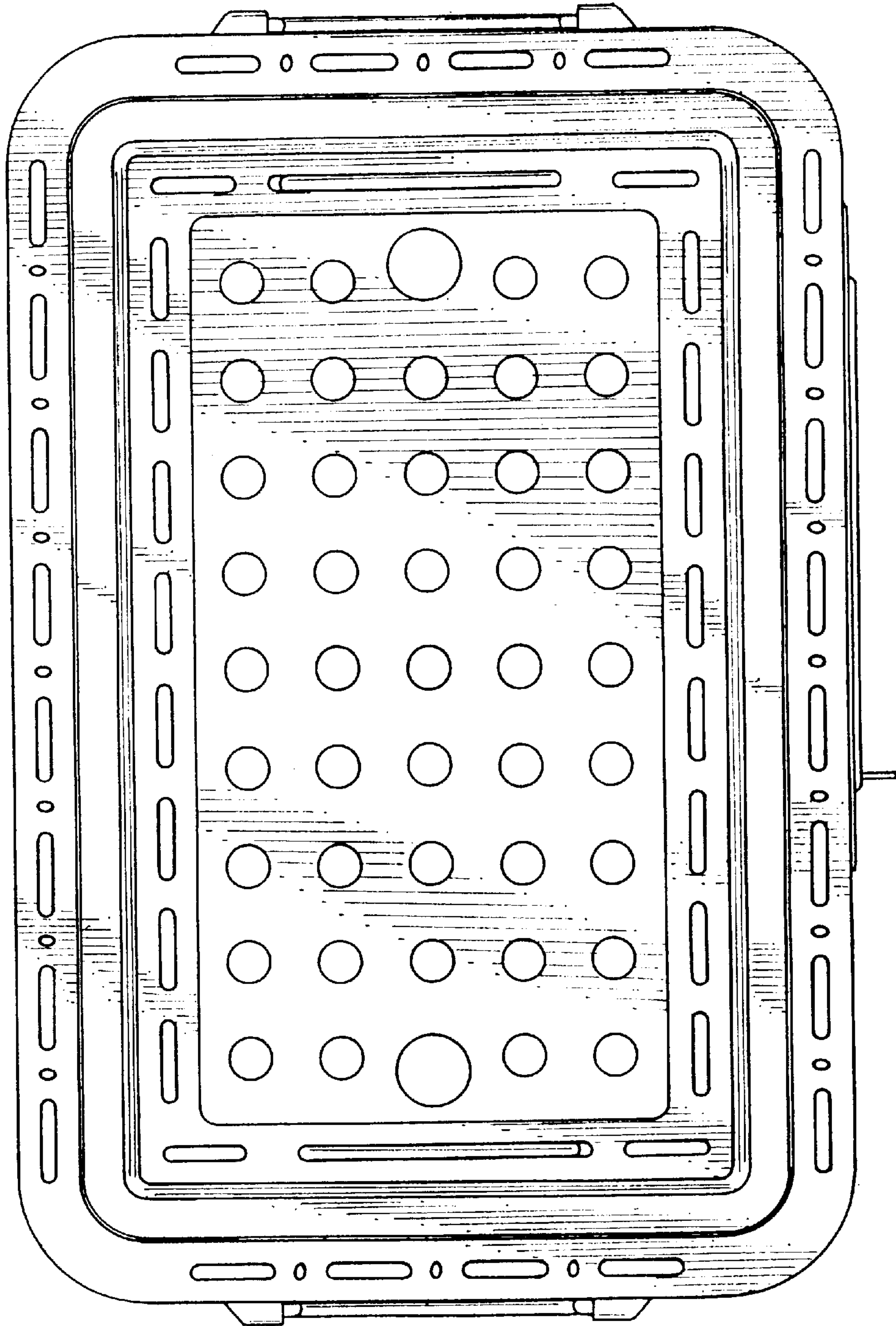


FIG. 9



UNITED STATES PATENT AND TRADEMARK OFFICE
CERTIFICATE OF CORRECTION

PATENT NO. : Des. 427,839
DATED : July 11, 2000
INVENTOR(S) : Seichi Toyama

Page 1 of 1

It is certified that error appears in the above-identified patent and that said Letters Patent is hereby corrected as shown below:

Title page,
DESCRIPTION,
Figure 8, change "line "VII - VII" to -- line VIII - VIII --.

Signed and Sealed this

Sixth Day of May, 2003

A handwritten signature in black ink, appearing to read "James E. Rogan", written over a horizontal line.

JAMES E. ROGAN
Director of the United States Patent and Trademark Office