



US00D427838S

United States Patent [19]

Lee

[11] Patent Number: Des. 427,838

[45] Date of Patent: ** Jul. 11, 2000

[54] OVEN WITH THE FUNCTION OF A TOASTER

[76] Inventor: Ming-Tsung Lee, P.O. Box 90, Tainan City, Taiwan

[**] Term: 14 Years

[21] Appl. No.: 29/114,055

[22] Filed: Nov. 18, 1999

[51] LOC (7) Cl. 07-02

[52] U.S. Cl. D7/329

[58] Field of Search D7/323, 328, 329, D7/330, 350, 390; 99/328, 329 RT, 372, 385, 389

[56] References Cited

U.S. PATENT DOCUMENTS

- D. 119,607 3/1940 Brannon D7/350
- D. 143,054 11/1945 Walker et al. D7/329
- D. 186,419 10/1959 Keefe D7/329

D. 386,938 12/1997 Piret D7/350

Primary Examiner—Robert M. Spear

[57] CLAIM

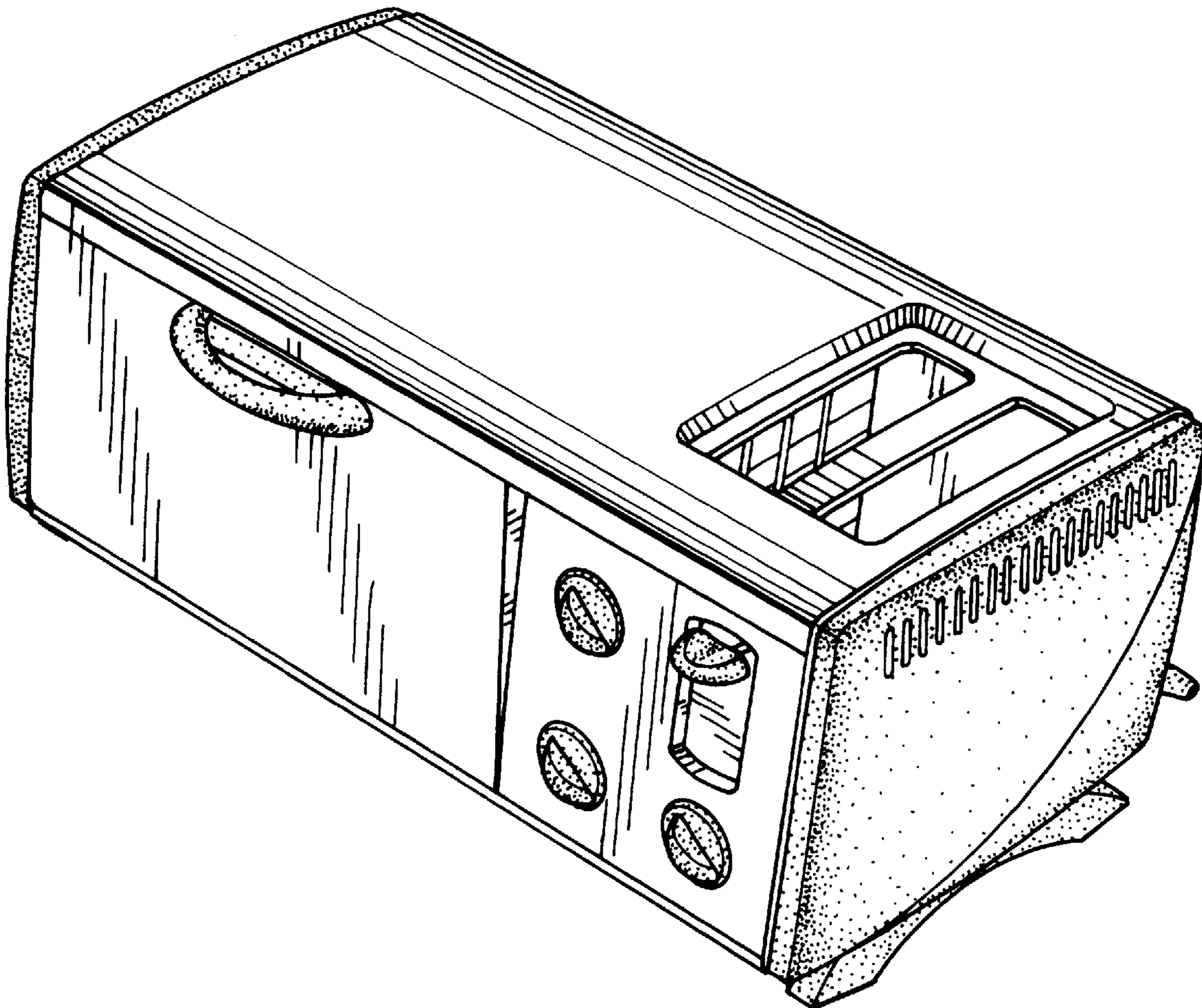
The ornamental design for oven with the function of a toaster, as shown and described.

DESCRIPTION

FIG. 1 is a perspective view of oven with the function of a toaster showing my design;
 FIG. 2 is a front elevational view thereof;
 FIG. 3 is a rear elevational view thereof;
 FIG. 4 is a left side elevational view thereof;
 FIG. 5 is a right side elevational view thereof;
 FIG. 6 is a top plan view thereof; and,
 FIG. 7 is a bottom plan view thereof.

The surface(s) or portion(s) of the article not shown in the drawing or described in the specification form(s) no part of the claimed design.

1 Claim, 4 Drawing Sheets



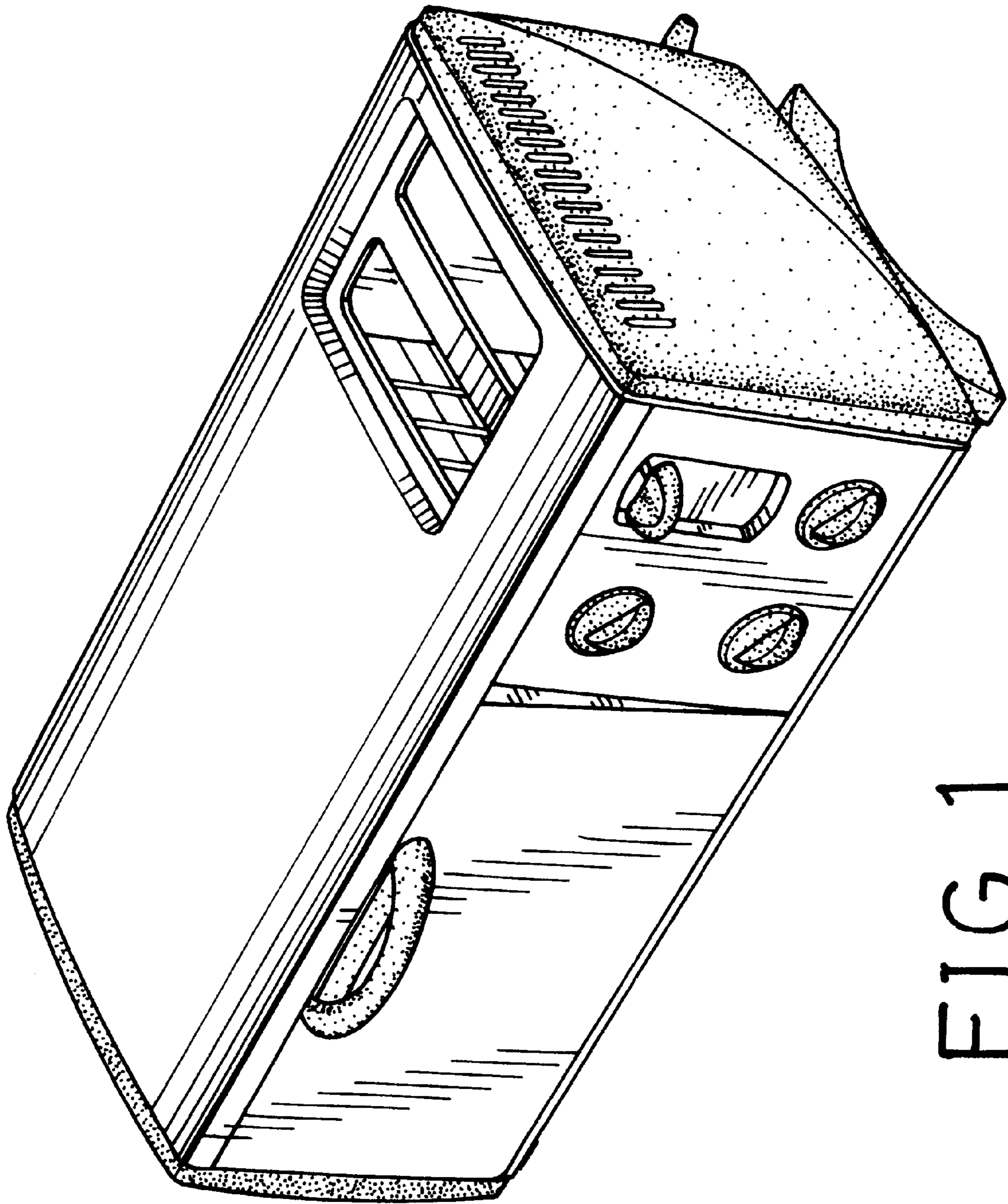


FIG. 1

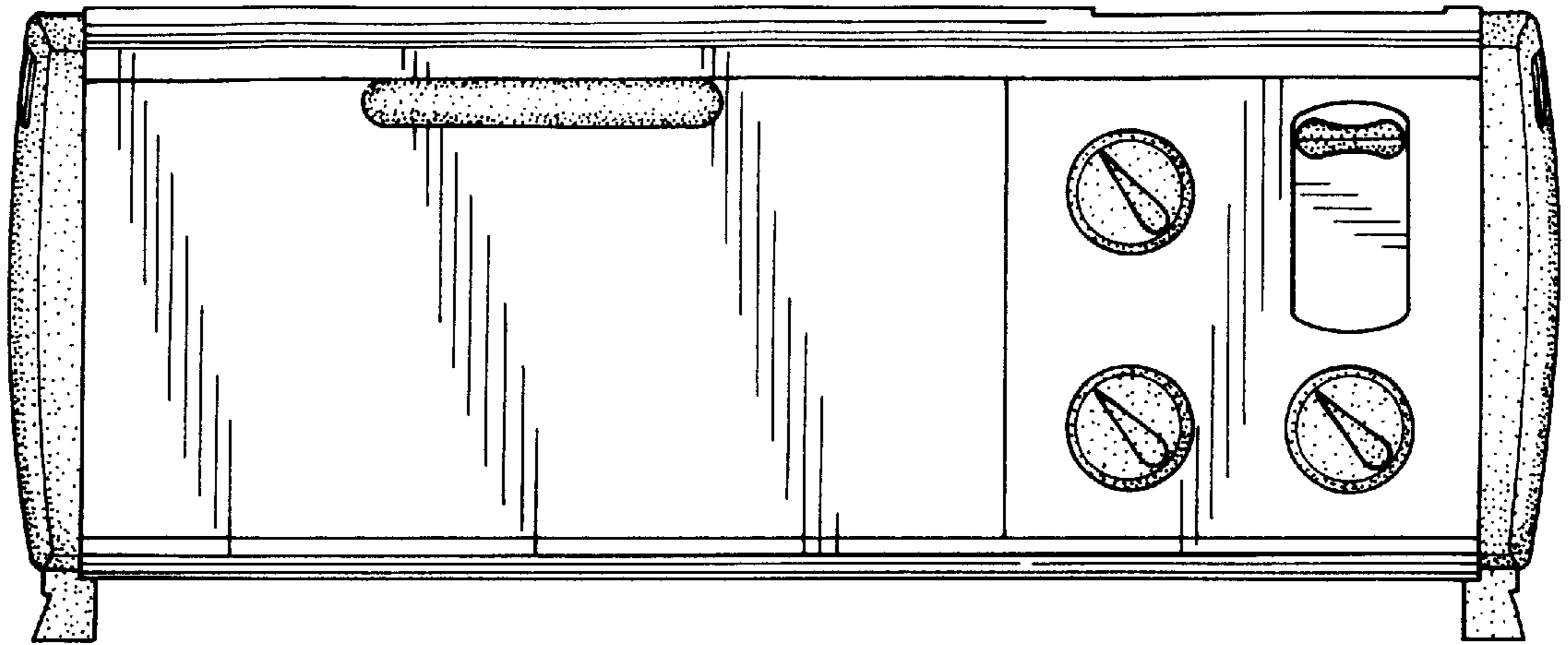


FIG. 2

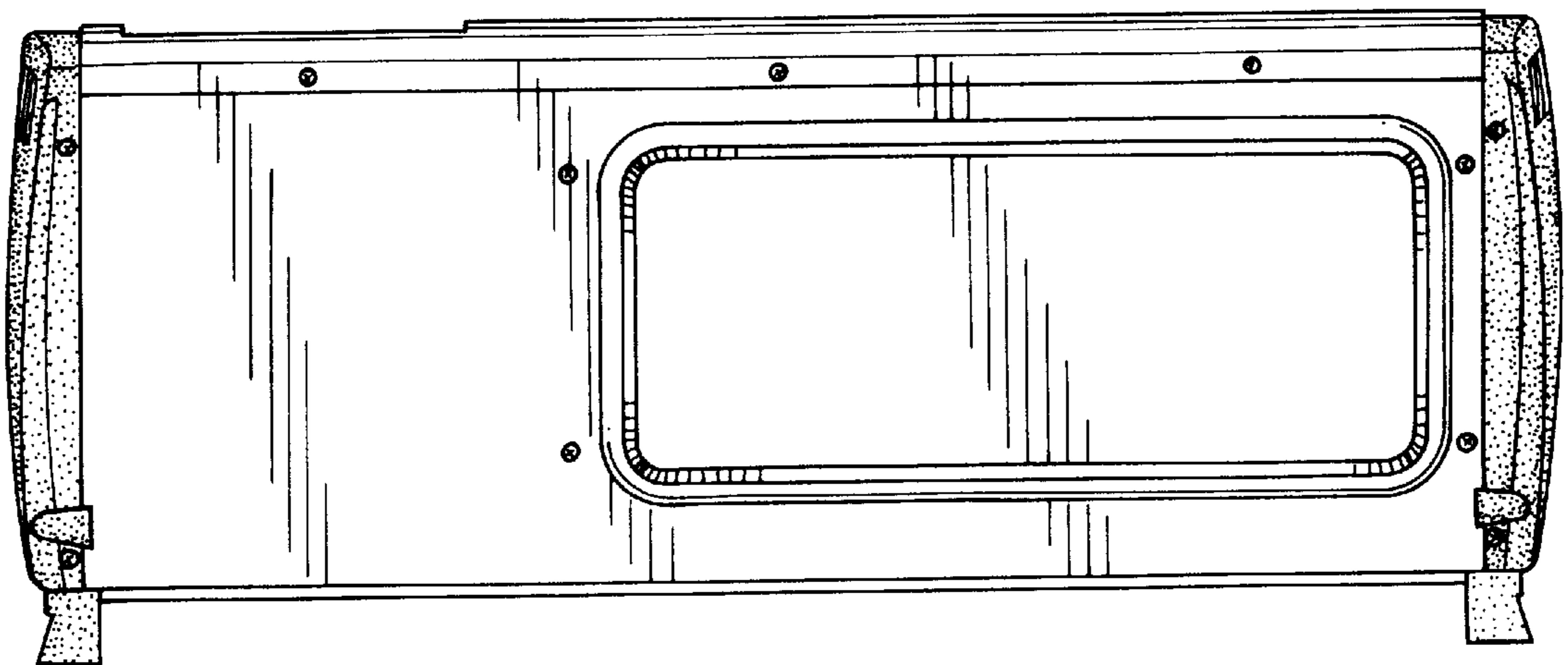


FIG. 3

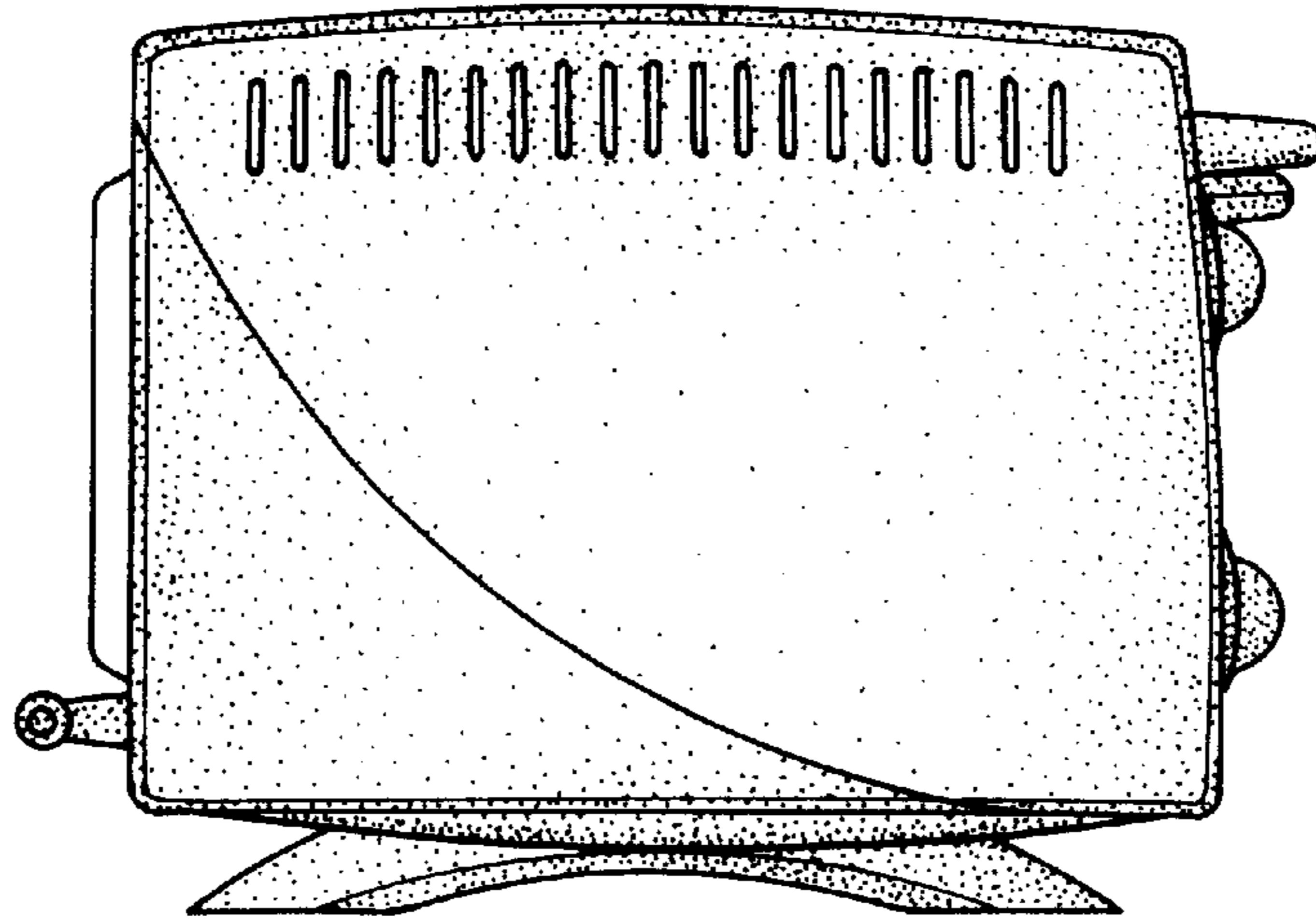


FIG. 4

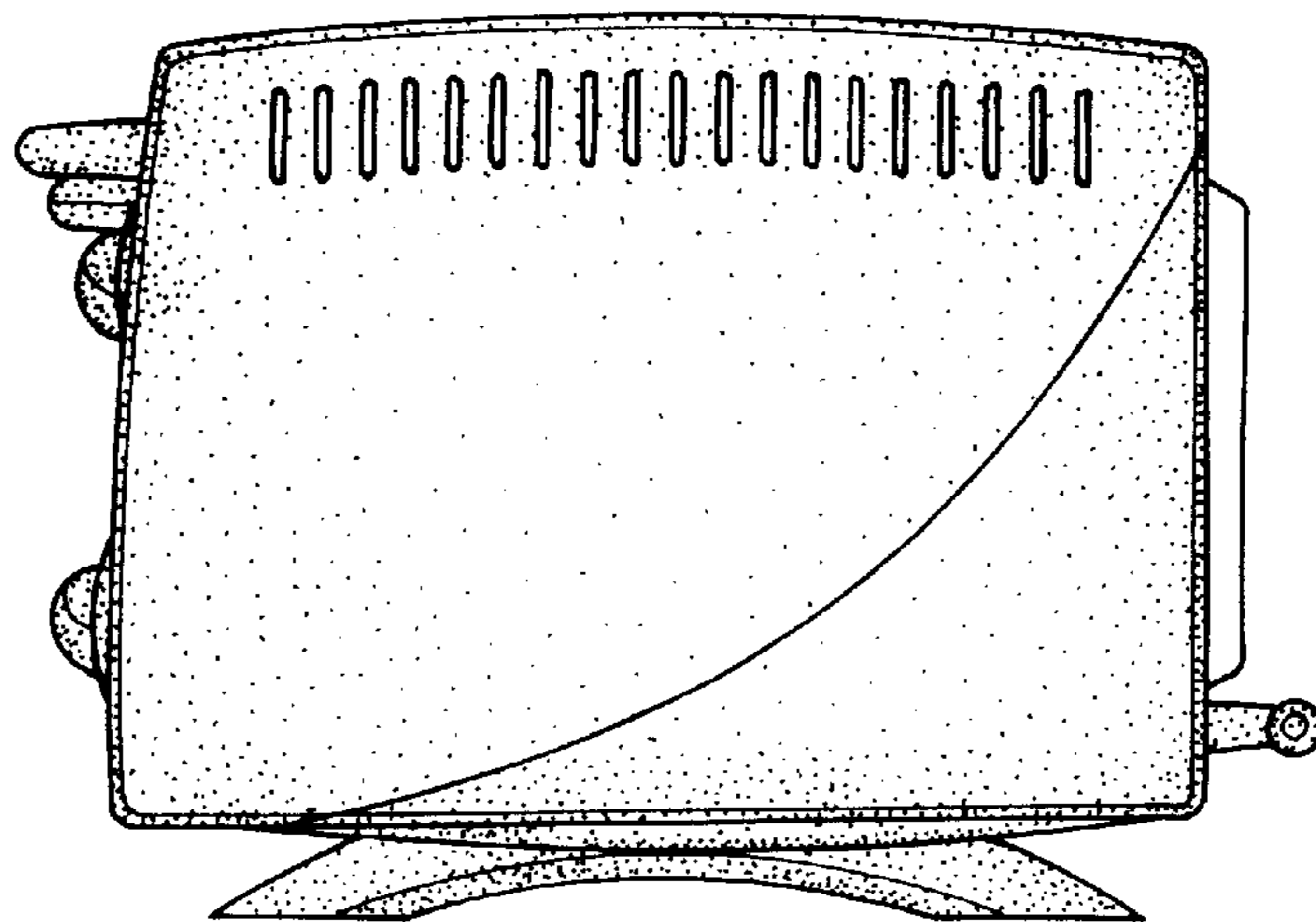


FIG. 5

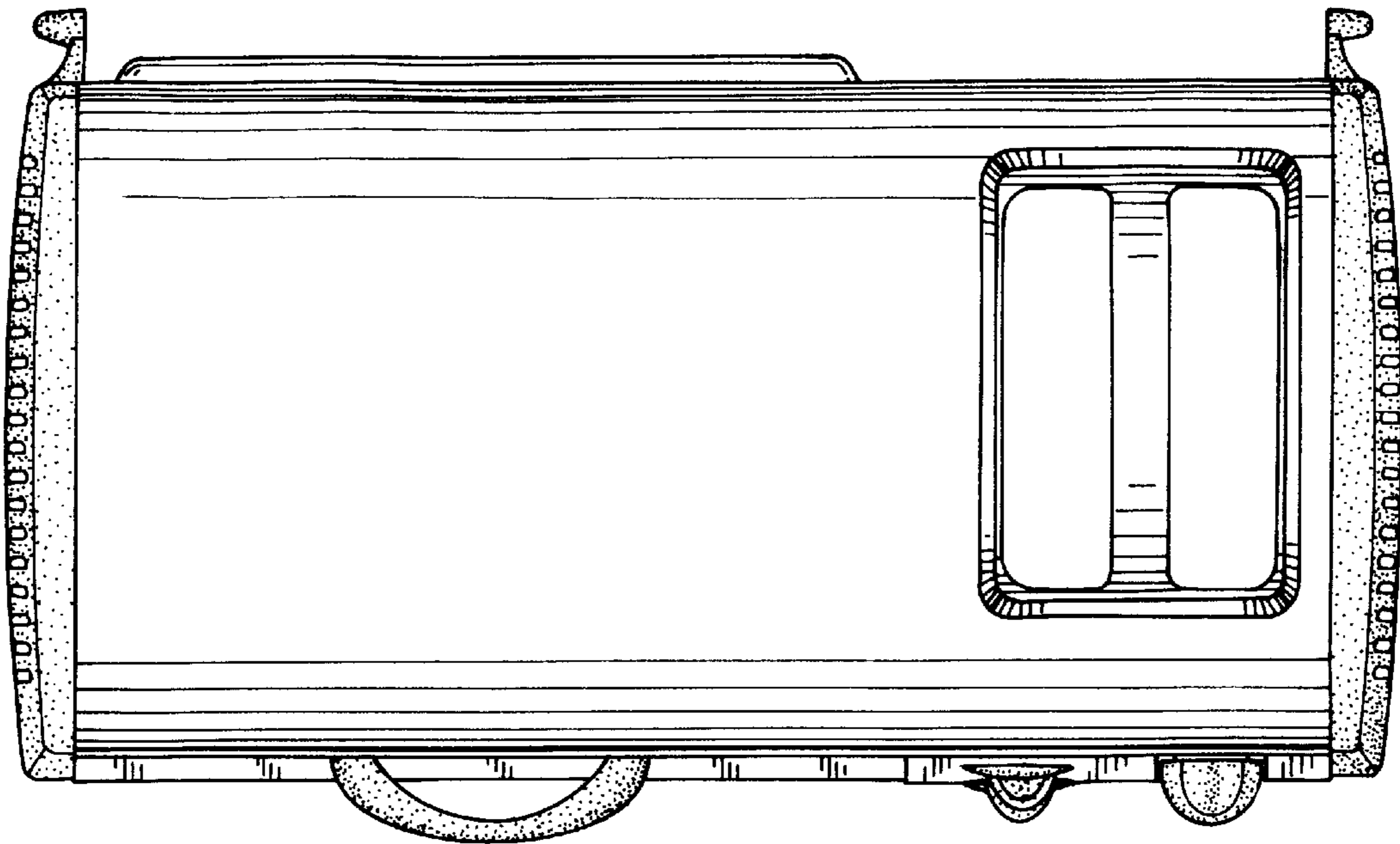


FIG. 6

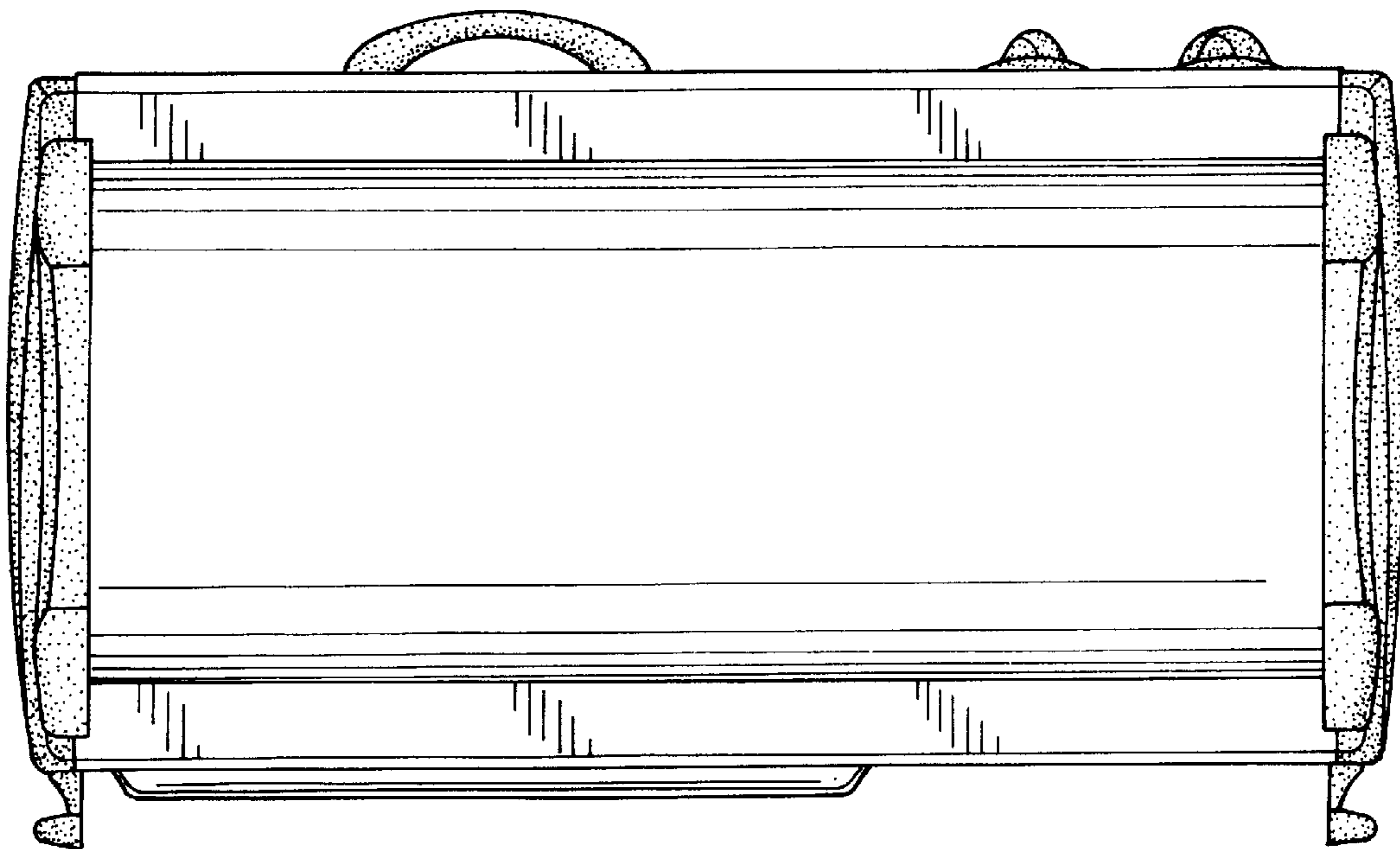


FIG. 7