



US00D427834S

**United States Patent** [19]  
**Buckley**

[11] **Patent Number: Des. 427,834**

[45] **Date of Patent: \*\* Jul. 11, 2000**

[54] **BED RAIL COVER**

*Attorney, Agent, or Firm*—William Patrick Waters

[76] Inventor: **Thomas L. Buckley**, 2711 Aliso Creek Rd., #160, Aliso Viejo, Calif. 92656

[57] **CLAIM**

The ornamental design for a bed rail cover, as shown and described.

[\*\*] Term: **14 Years**

**DESCRIPTION**

[21] Appl. No.: **29/099,018**

FIG. 1 is a perspective view of a bed rail cover showing my new design;

[22] Filed: **Jan. 11, 1999**

FIG. 2 is a bottom plan view thereof;

[51] **LOC (7) Cl.** ..... **06-13**

FIG. 3 is a right side elevational view thereof;

[52] **U.S. Cl.** ..... **D6/610**

FIG. 4 is a left side elevational view thereof;

[58] **Field of Search** ..... D6/610; 5/663, 5/512

FIG. 5 is a front elevational view thereof;

FIG. 6 is a rear elevational view thereof; and,

FIG. 7 is a top plan view thereof.

[56] **References Cited**

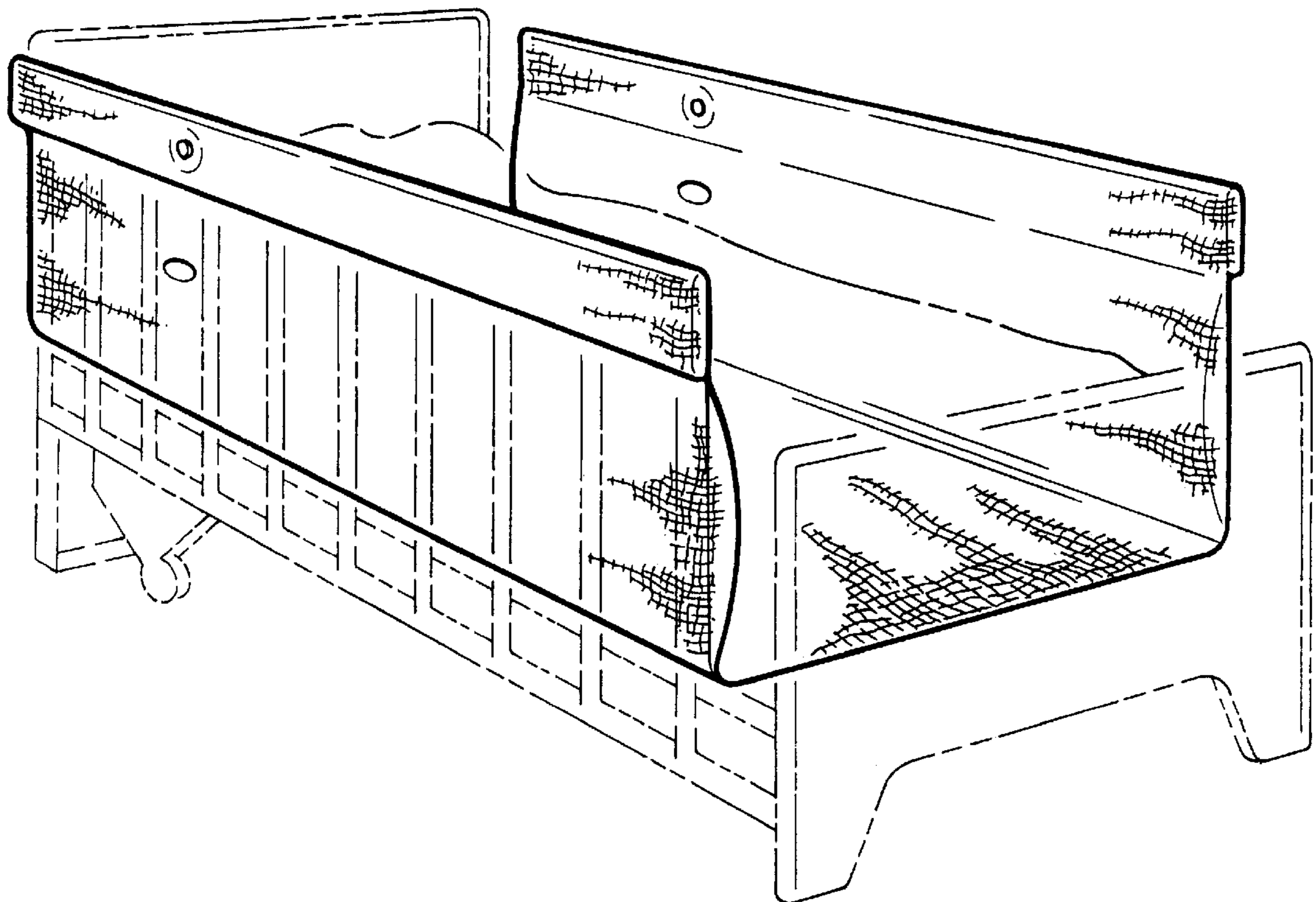
**U.S. PATENT DOCUMENTS**

D. 351,756	10/1994	Miller et al.	.....	D6/611
3,950,795	4/1976	Dolnick	.....	D6/610
5,749,112	5/1998	Metzler	.....	5/663

The broken line showing of a bed is for illustrative purposes only and forms no part of the claimed design. The crisscross pattern is understood to be continuous throughout the design.

*Primary Examiner*—Louis S. Zarfaz  
*Assistant Examiner*—Inga-Maria Hyttinen

**1 Claim, 2 Drawing Sheets**



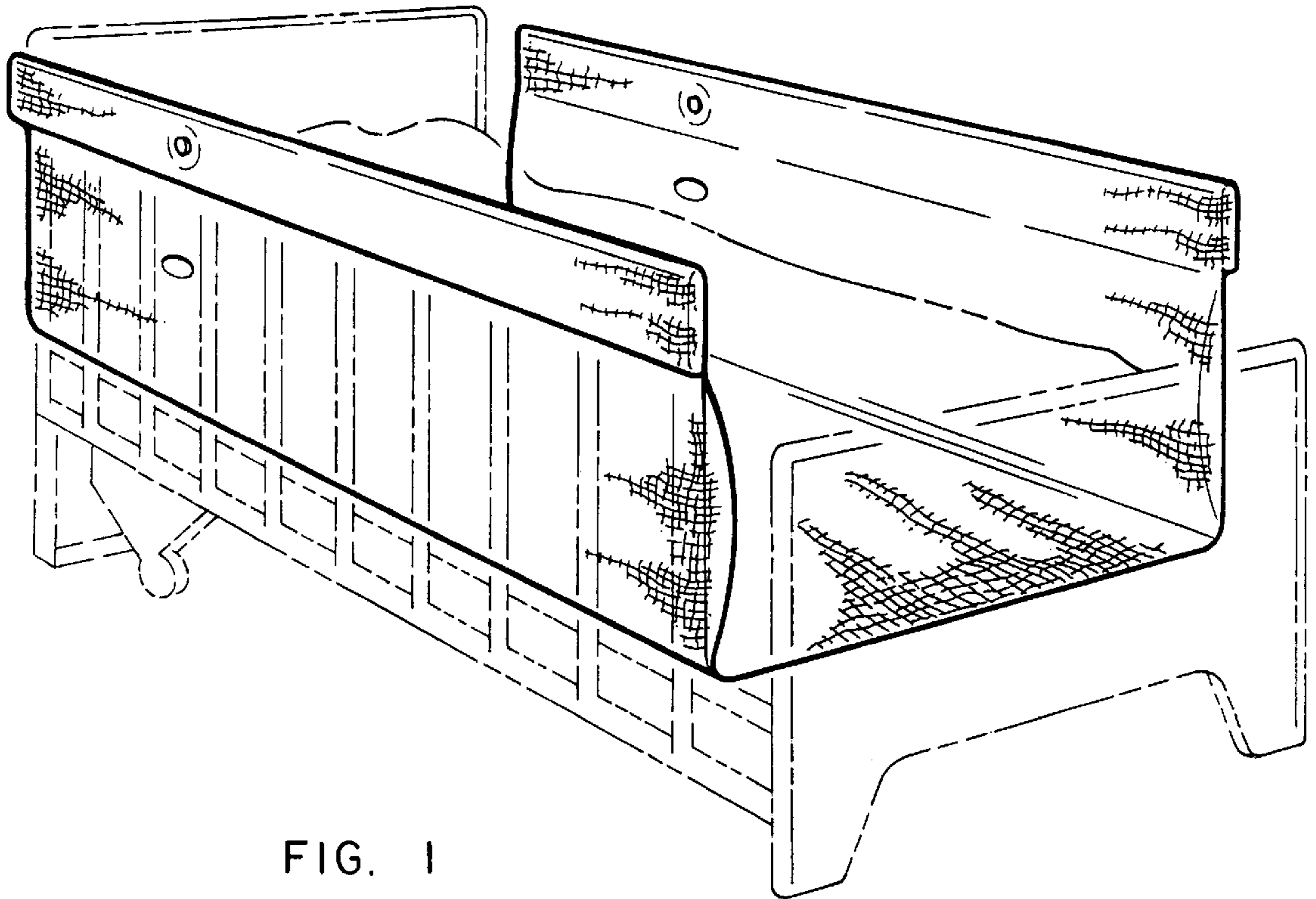


FIG. 1

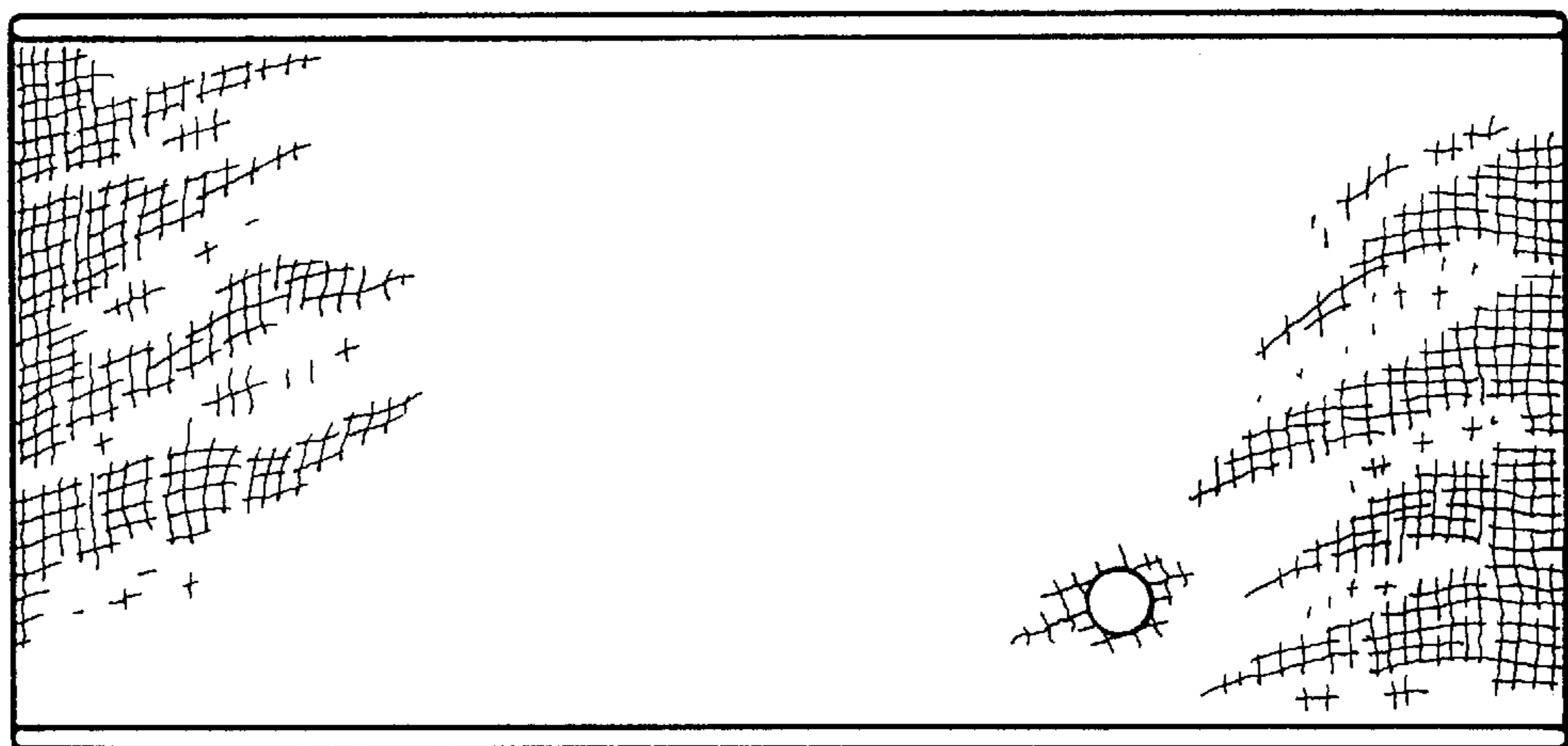


FIG. 2

