



US00D427832S

# United States Patent [19]

Zoettl-Sofroniew

[11] Patent Number: Des. 427,832

[45] Date of Patent: \*\* Jul. 11, 2000

[54] INFANT SWING CUSHION

Attorney, Agent, or Firm—Goldstein & Canino

[76] Inventor: **Irmina Theresia Zoettl-Sofroniew**,  
10541 Camarillo St., Toluca Lake,  
Calif. 91602

[57] **CLAIM**

The ornamental design for an infant swing cushion, as shown and described.

[\*\*] Term: **14 Years**

**DESCRIPTION**

[21] Appl. No.: **29/101,923**

FIG. 1 is a perspective view of the infant swing cushion.

[22] Filed: **Mar. 12, 1999**

FIG. 2 is an alternate perspective view of the infant swing cushion in full lines with an infant shown in broken lines representing environmental association matter being for illustrative purposes only and forming no part of the claimed invention.

[51] **LOC (7) Cl.** ..... **06-09**

[52] **U.S. Cl.** ..... **D6/596; D6/601**

[58] **Field of Search** ..... D6/595, 596, 601,  
D6/611, 347; 5/630, 652, 653, 655, 655.9,  
656; 297/219.12, 452.58; D25/141, 138

FIG. 3 is a front elevational view of the infant swing cushion.

[56] **References Cited**

**U.S. PATENT DOCUMENTS**

2,281,629	5/1942	Snow	.....	5/655
3,037,592	6/1962	Shiple et al.	.....	D25/141
4,579,111	4/1986	Ledesma	.....	128/870
4,581,754	4/1986	Donovan	.....	5/630
5,146,641	9/1992	Zwickey	.....	5/628

FIG. 4 is a rear elevational view thereof.

FIG. 5 is a right side elevational view thereof.

FIG. 6 is a left side elevational view thereof.

FIG. 7 is a top plan view of the infant swing cushion; and,

FIG. 8 is a bottom plan view thereof.

**OTHER PUBLICATIONS**

Sweets 1994 catalog, 07610/MET Buyline 1657, STILE panel at lower right.

Primary Examiner—Janice E. Seeger

**1 Claim, 6 Drawing Sheets**

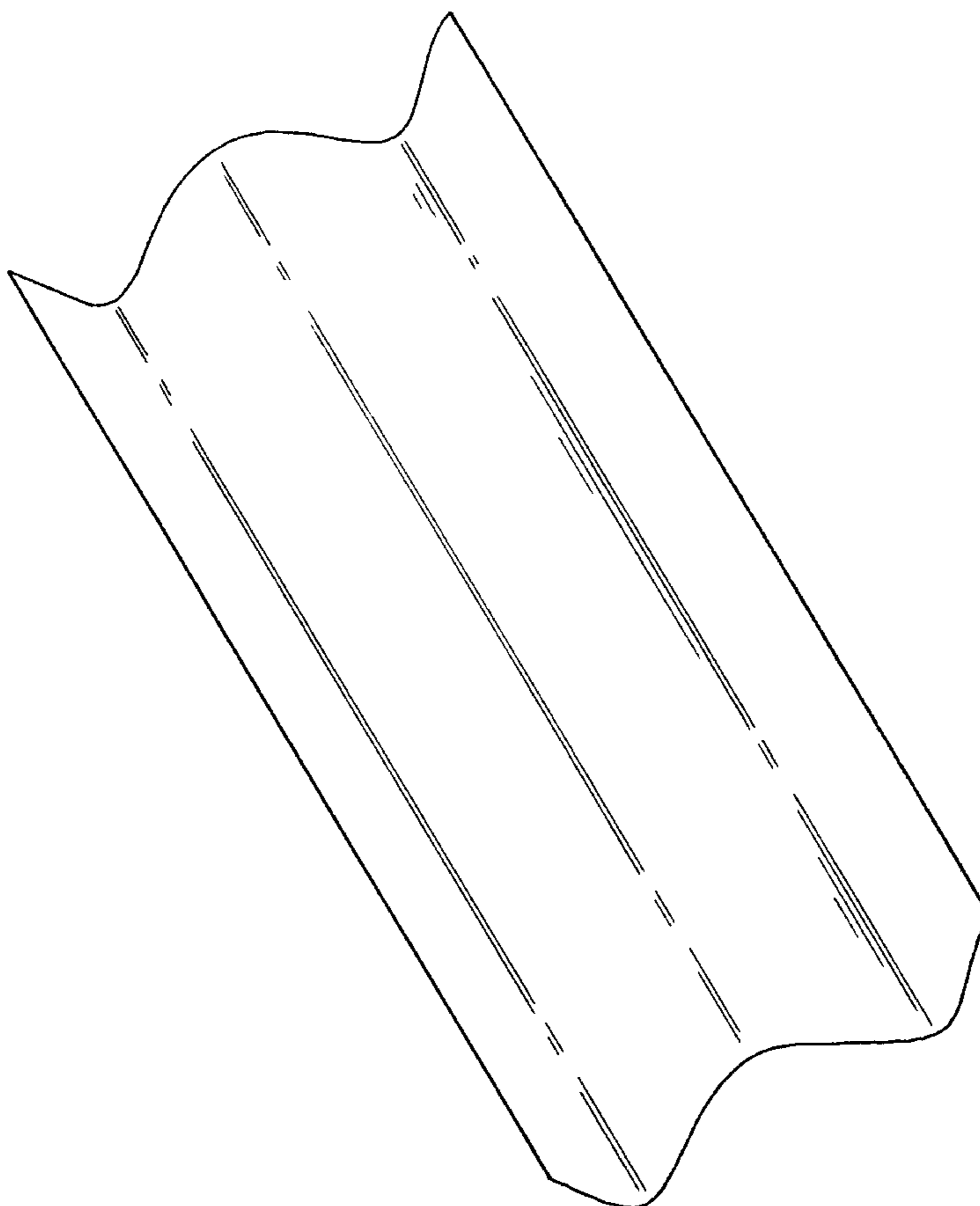


FIG. 1

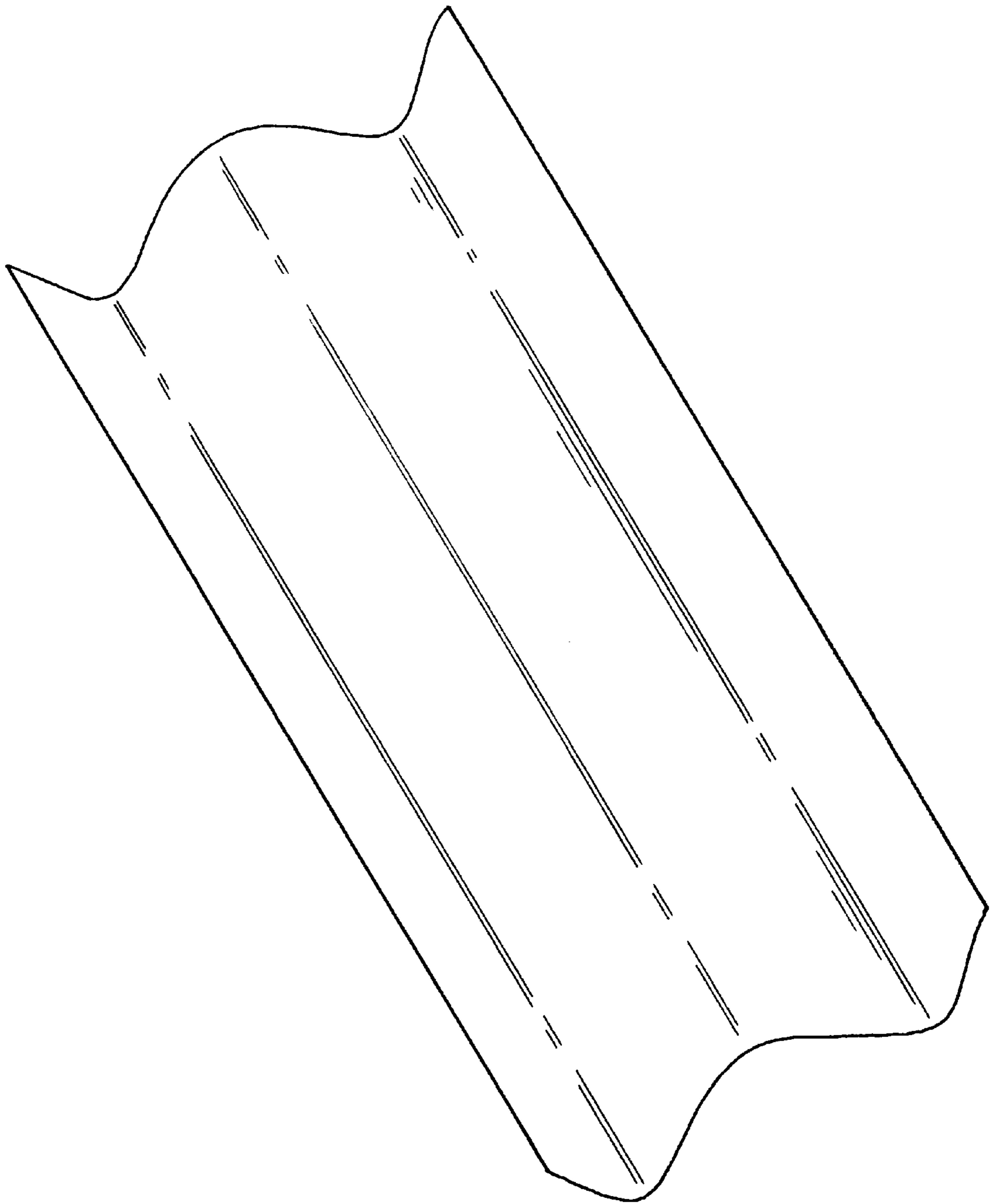


FIG. 2

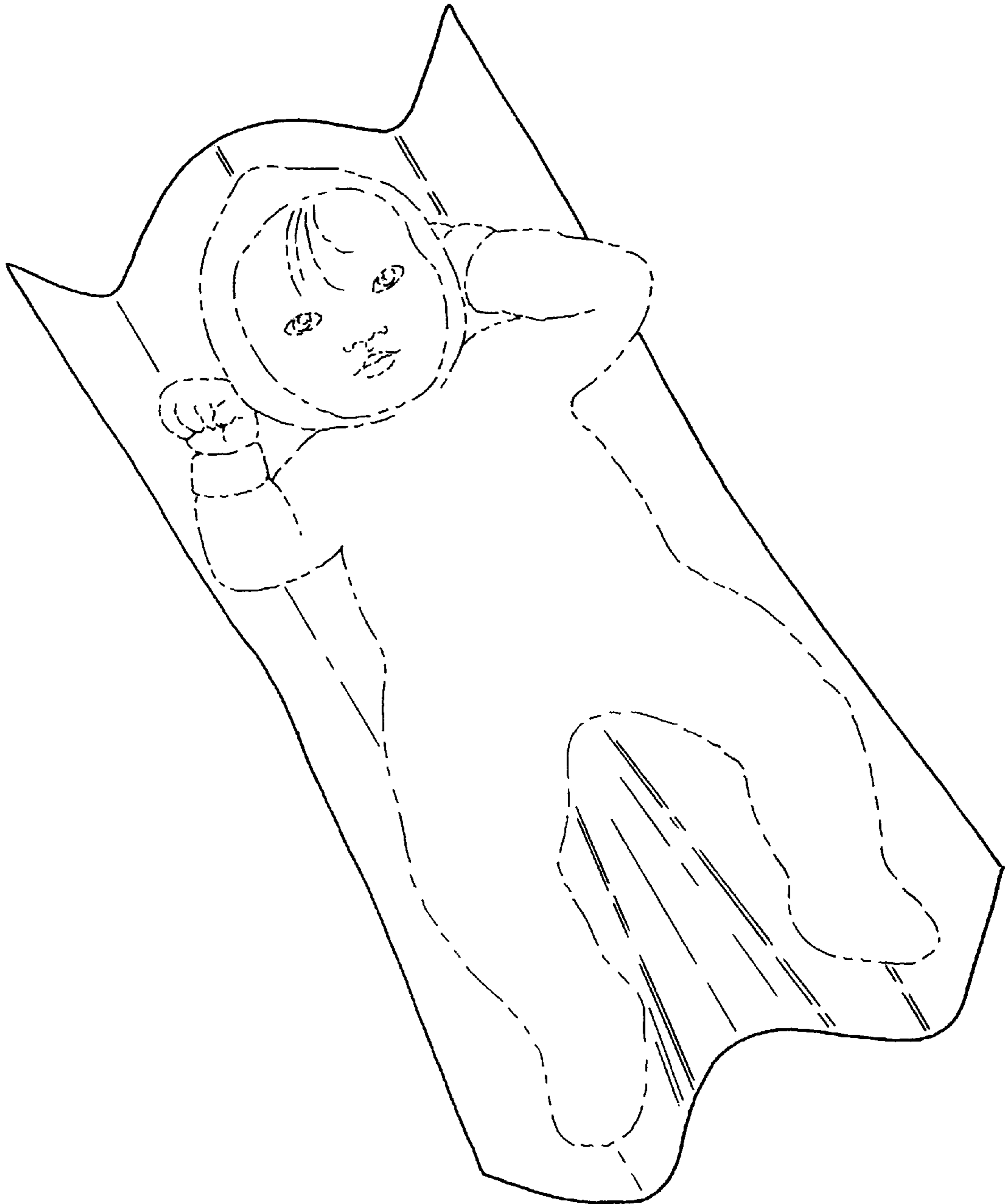


FIG. 3

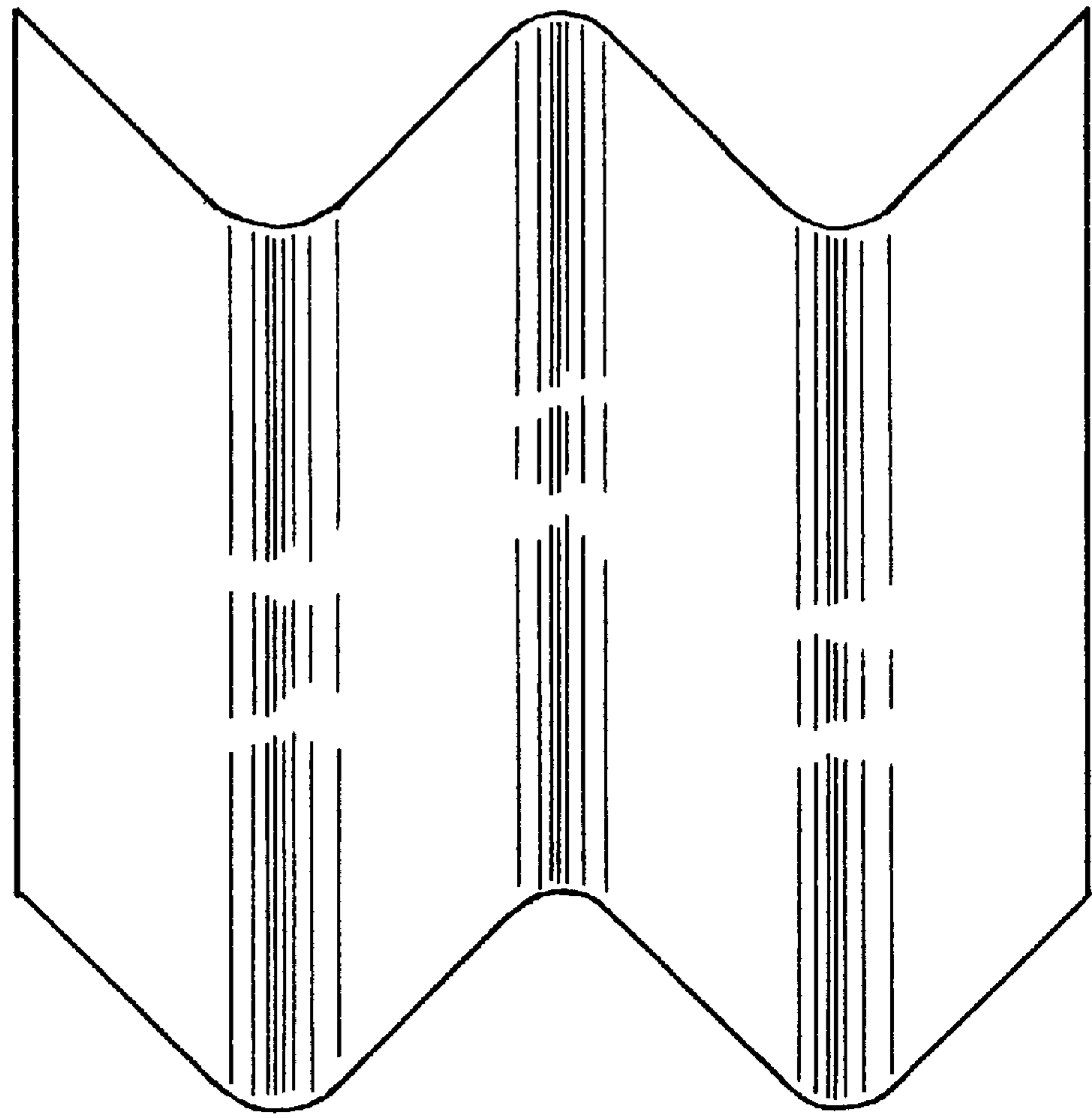


FIG. 4

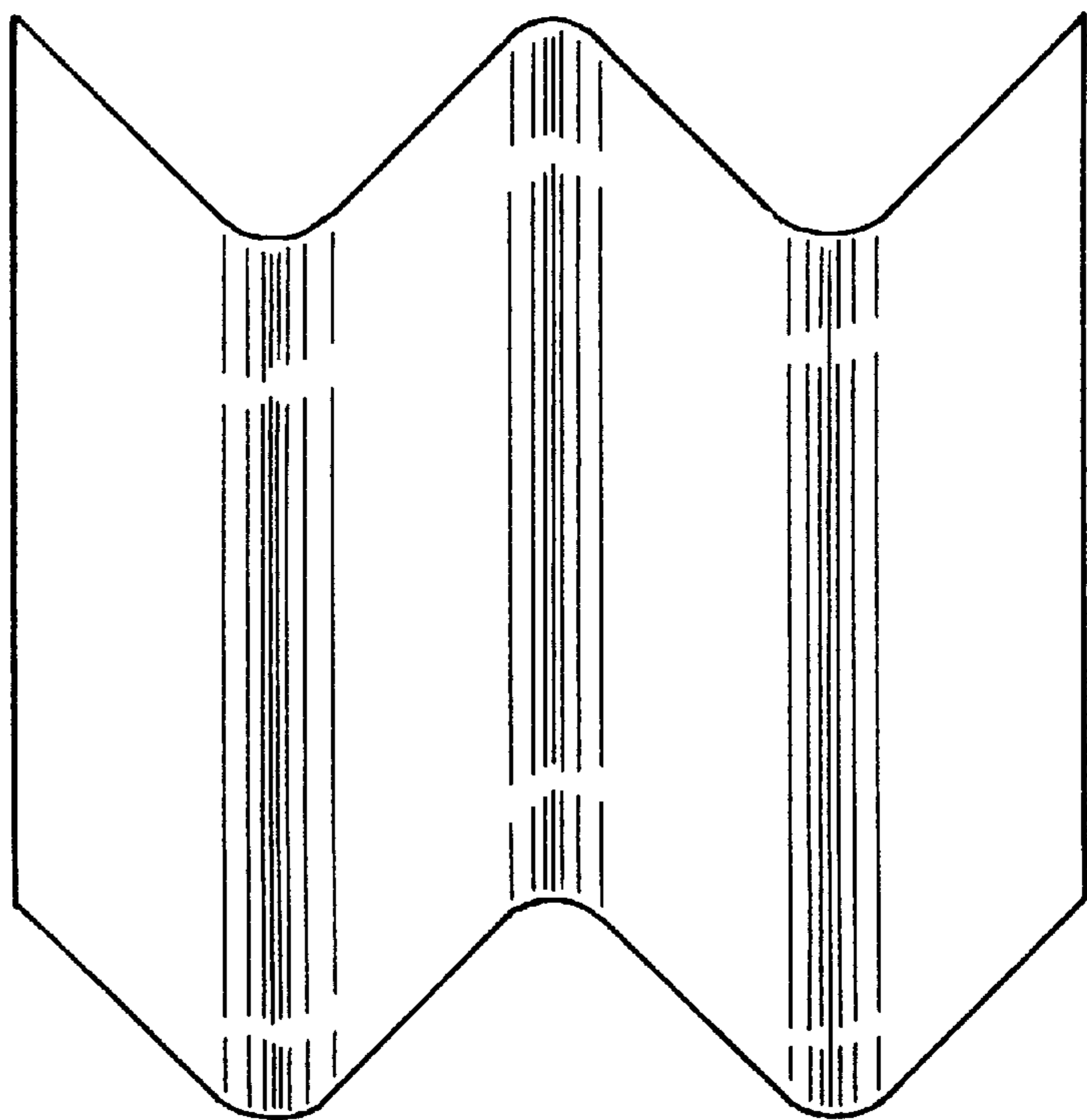


FIG. 5

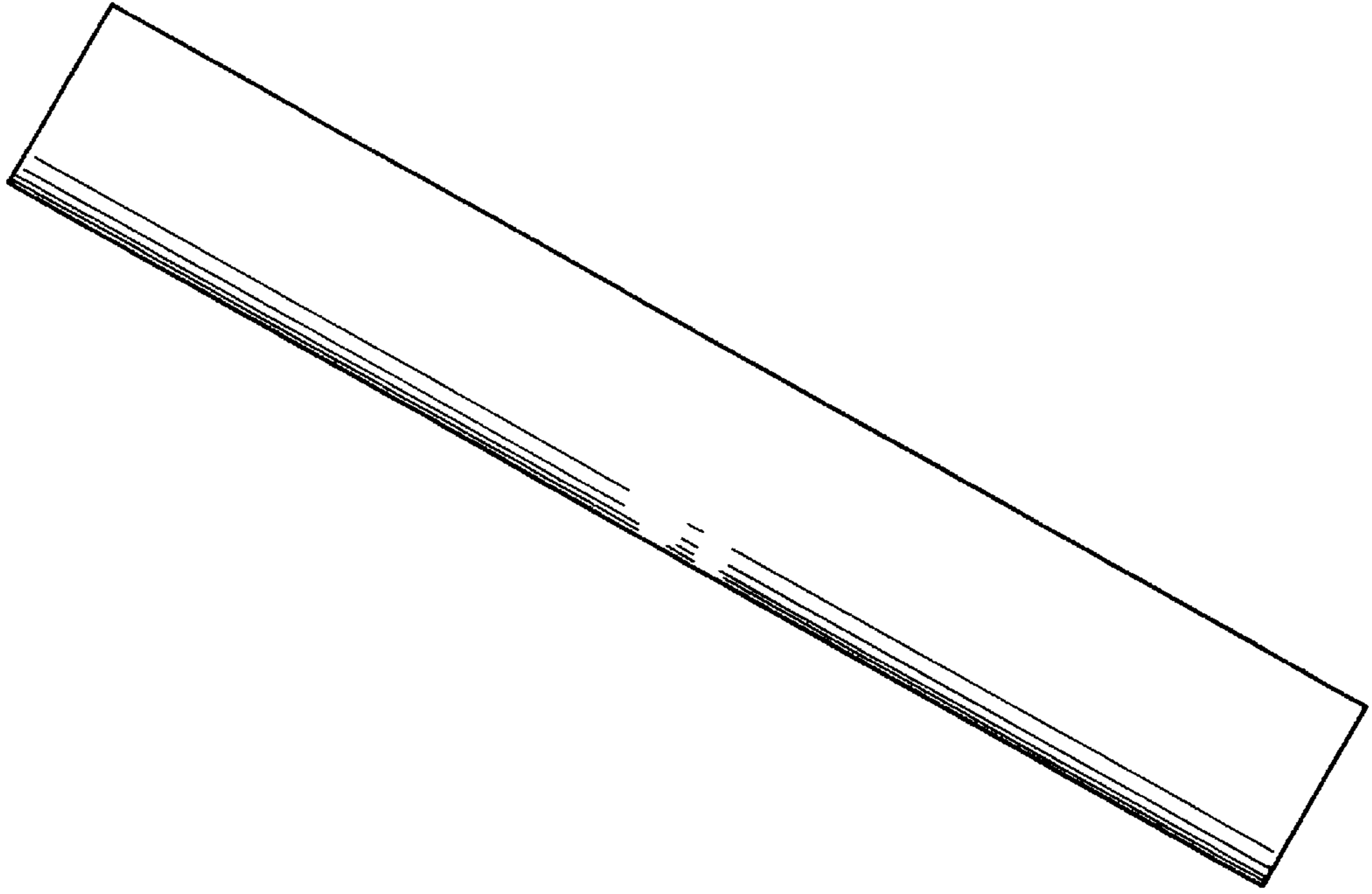


FIG. 6

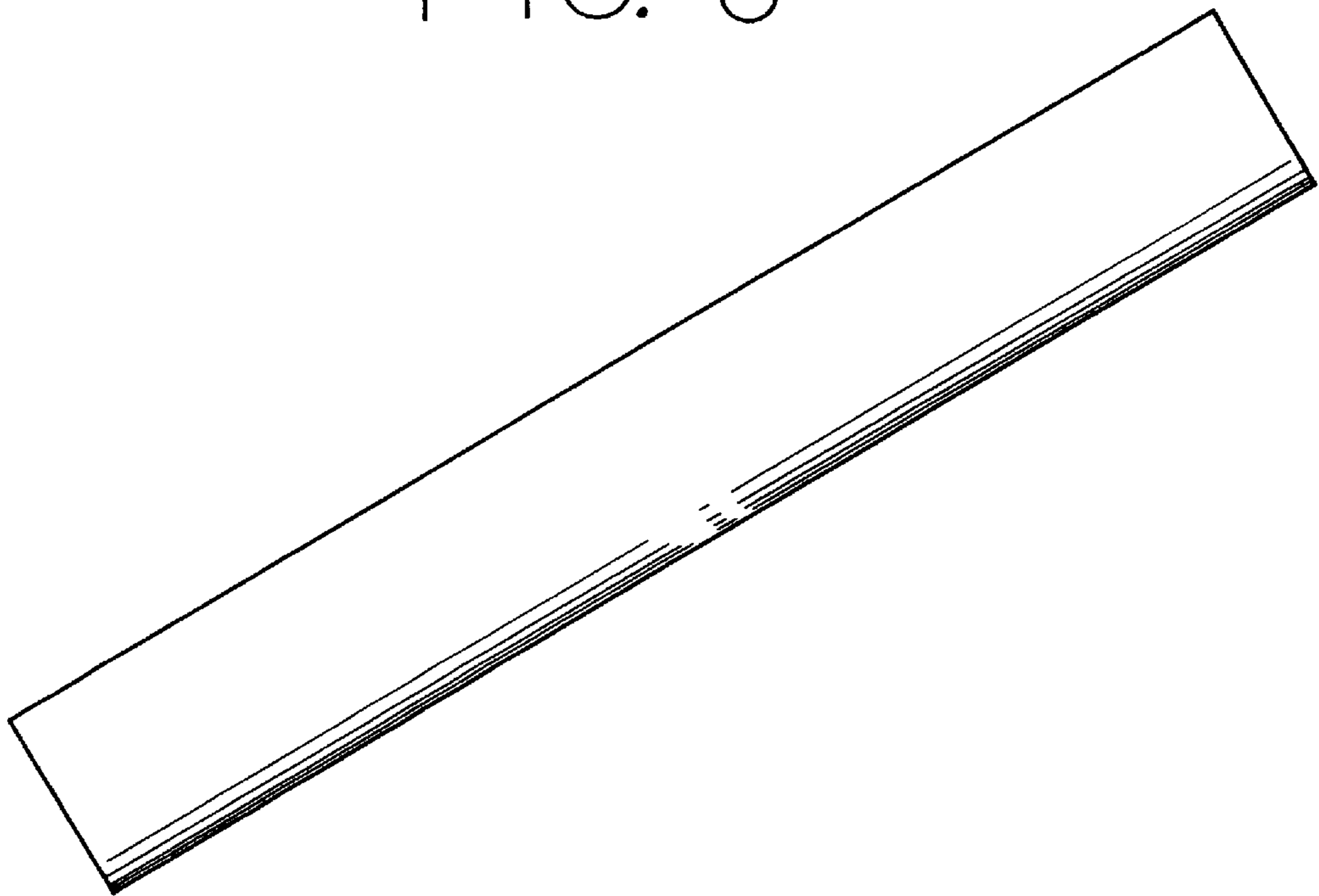


FIG. 7

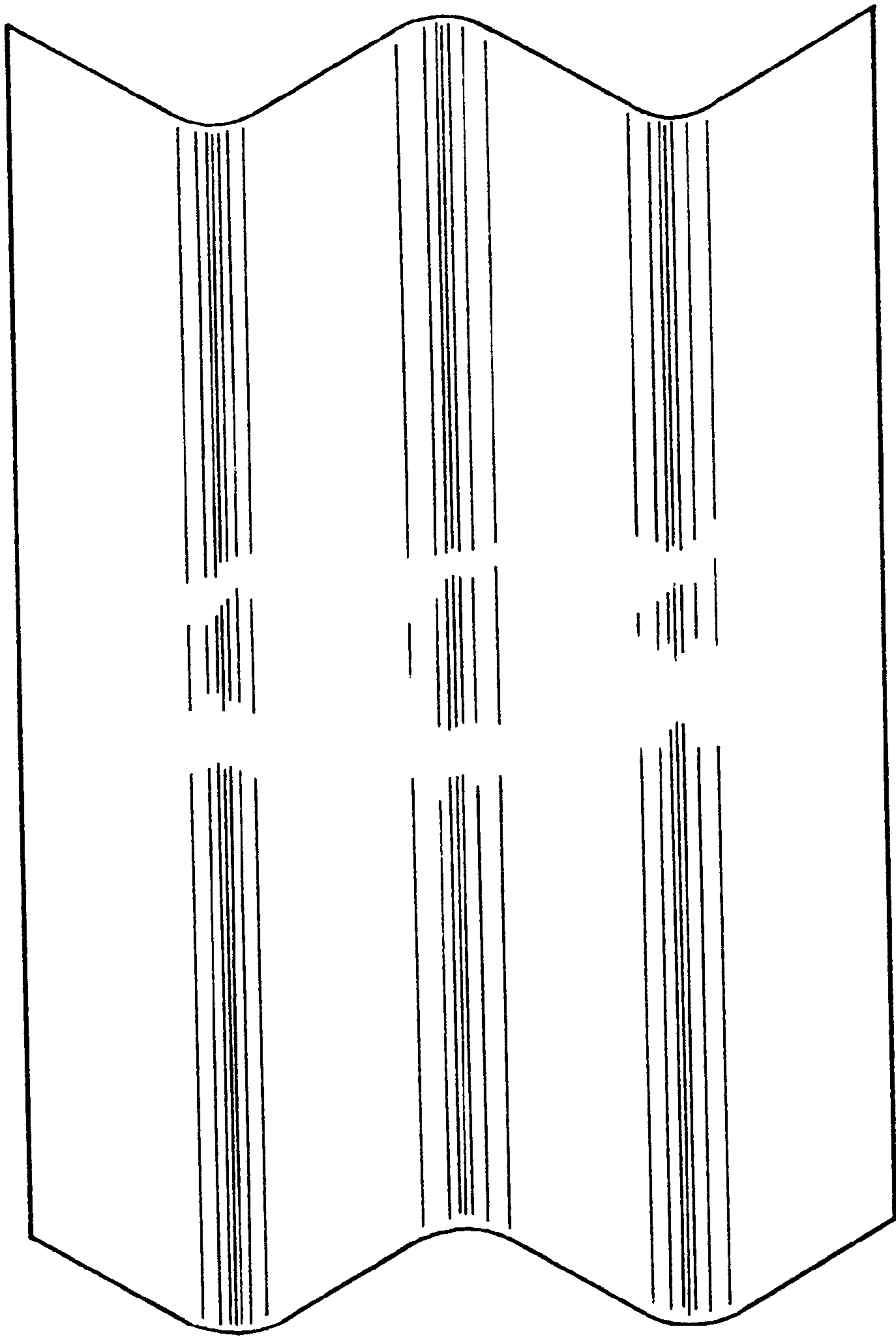


FIG. 8

