



US00D427829S

United States Patent [19] Fleming

[11] Patent Number: **Des. 427,829**

[45] Date of Patent: **** Jul. 11, 2000**

[54] **PORTABLE TISSUE HOLDER**

[76] Inventor: **Yolanda R Fleming**, 9240 S. Laflin #3,
Chicago, Ill. 60620

[**] Term: **14 Years**

[21] Appl. No.: **29/112,699**

[22] Filed: **Oct. 22, 1999**

[51] **LOC (7) Cl.** **23-02**

[52] **U.S. Cl.** **D6/523**

[58] **Field of Search** D6/518-523, 566;
211/13.1; 242/560, 570, 590, 595, 596,
598; 248/682, 302, 304, 905

[56] **References Cited**

U.S. PATENT DOCUMENTS

D. 204,595	5/1966	Turro	D6/523	X
D. 259,967	7/1981	Ramsey	D6/566	X
D. 318,770	8/1991	Grisel	D6/523	
D. 406,481	3/1999	Conrado	D6/520	
4,427,159	1/1984	Miller et al.	242/570	X

Primary Examiner—Brian N. Vinson

[57] **CLAIM**

The ornamental design for a portable tissue holder, as shown and described.

DESCRIPTION

FIG. 1 is a front elevational view of the portable tissue holder of the present invention;
 FIG. 2 is a rear elevational view of the portable tissue holder of FIG. 1;
 FIG. 3 is a left side elevational view of the portable tissue holder of FIG. 1;
 FIG. 4 is a right side elevational view of the portable tissue holder of FIG. 1;
 FIG. 5 is a top plan view of the portable tissue holder of FIG. 1;
 FIG. 6 is a bottom plan view of the portable tissue holder of FIG. 1; and,
 FIG. 7 is a top, front, right side perspective view of the portable tissue holder of FIG. 1.
 The broken lines showing of a portable toilet and tissue paper in FIG. 7 is for illustrative purposes only and form no part of the claimed design.

1 Claim, 3 Drawing Sheets

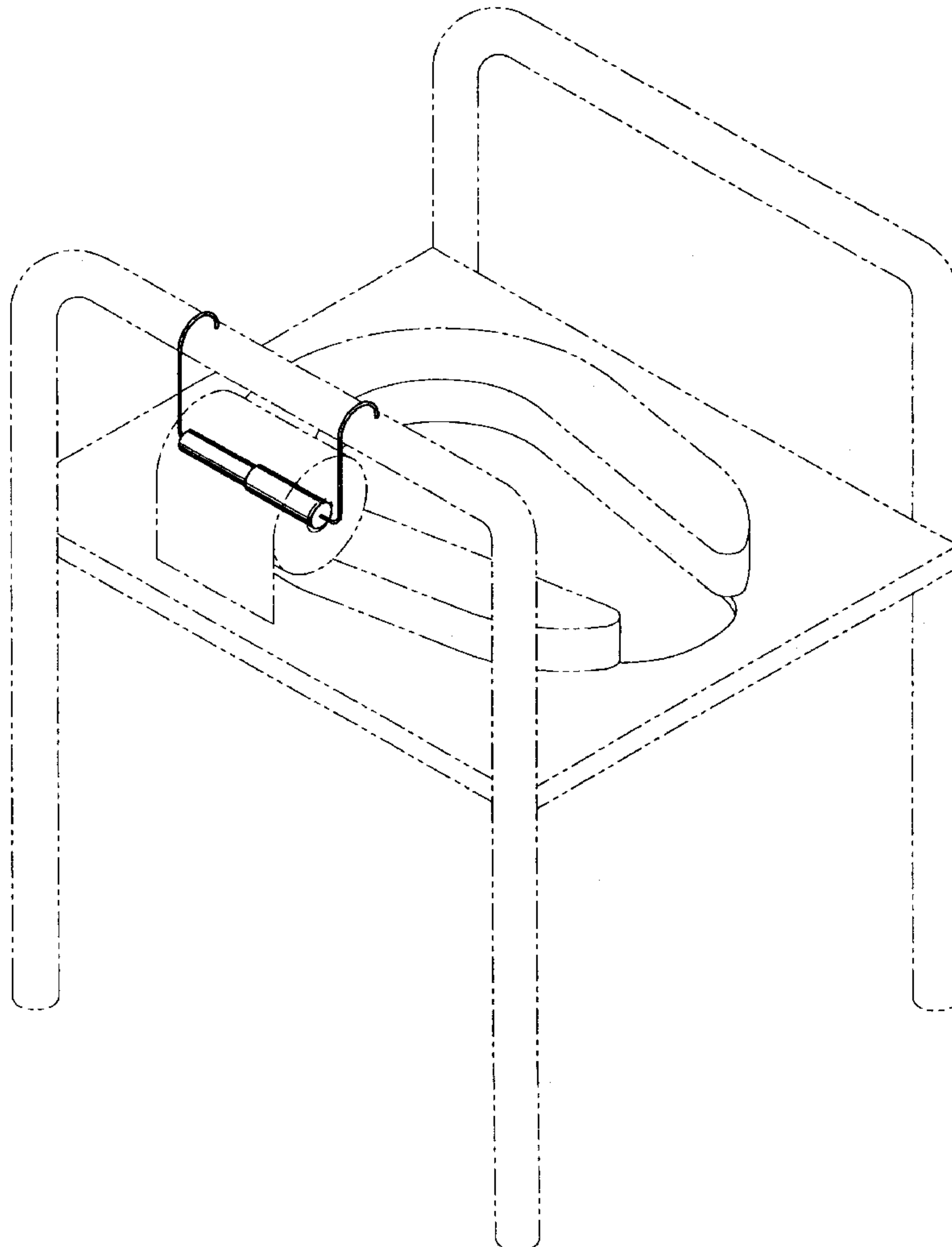


FIG. 1

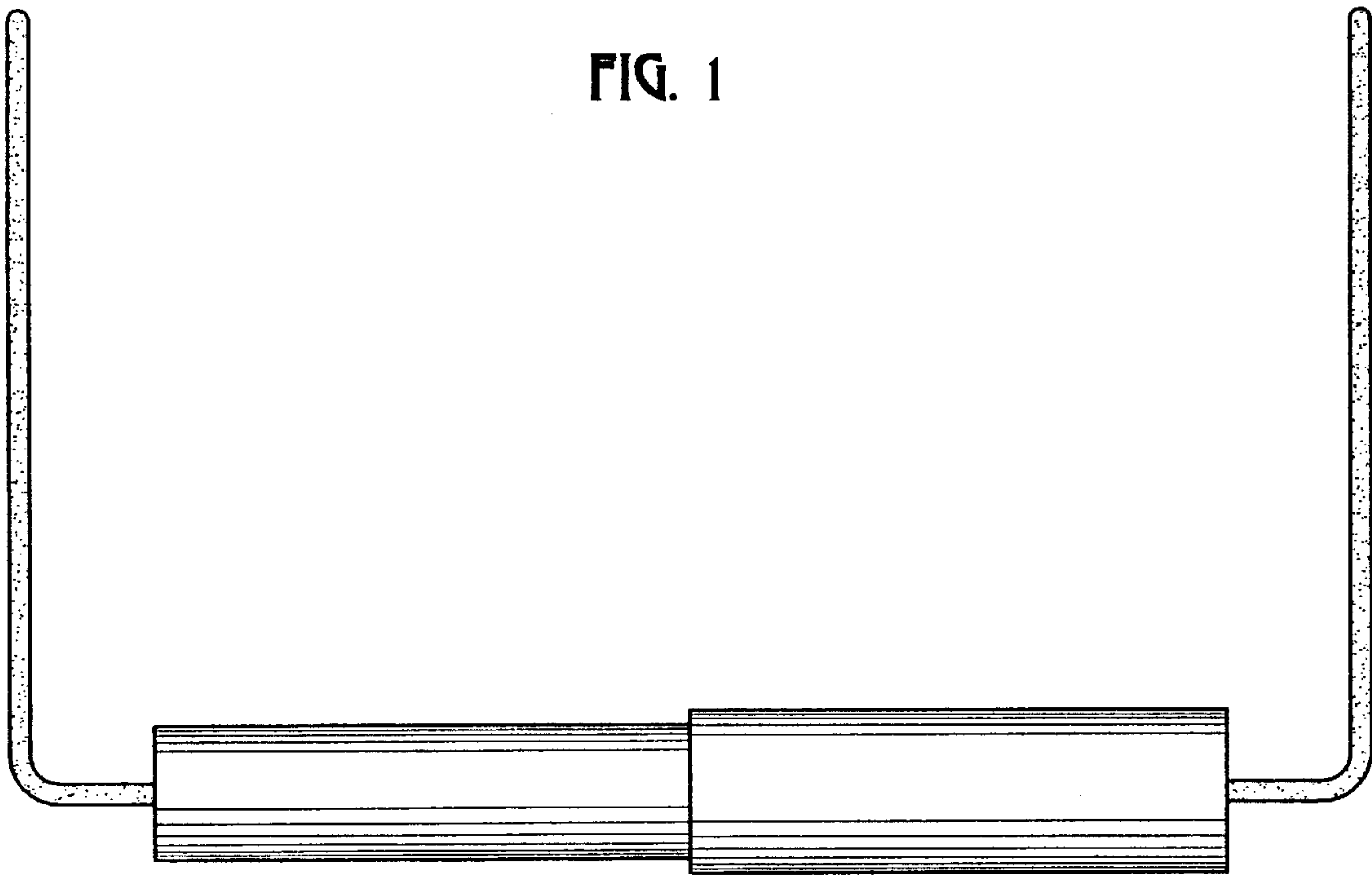


FIG. 2

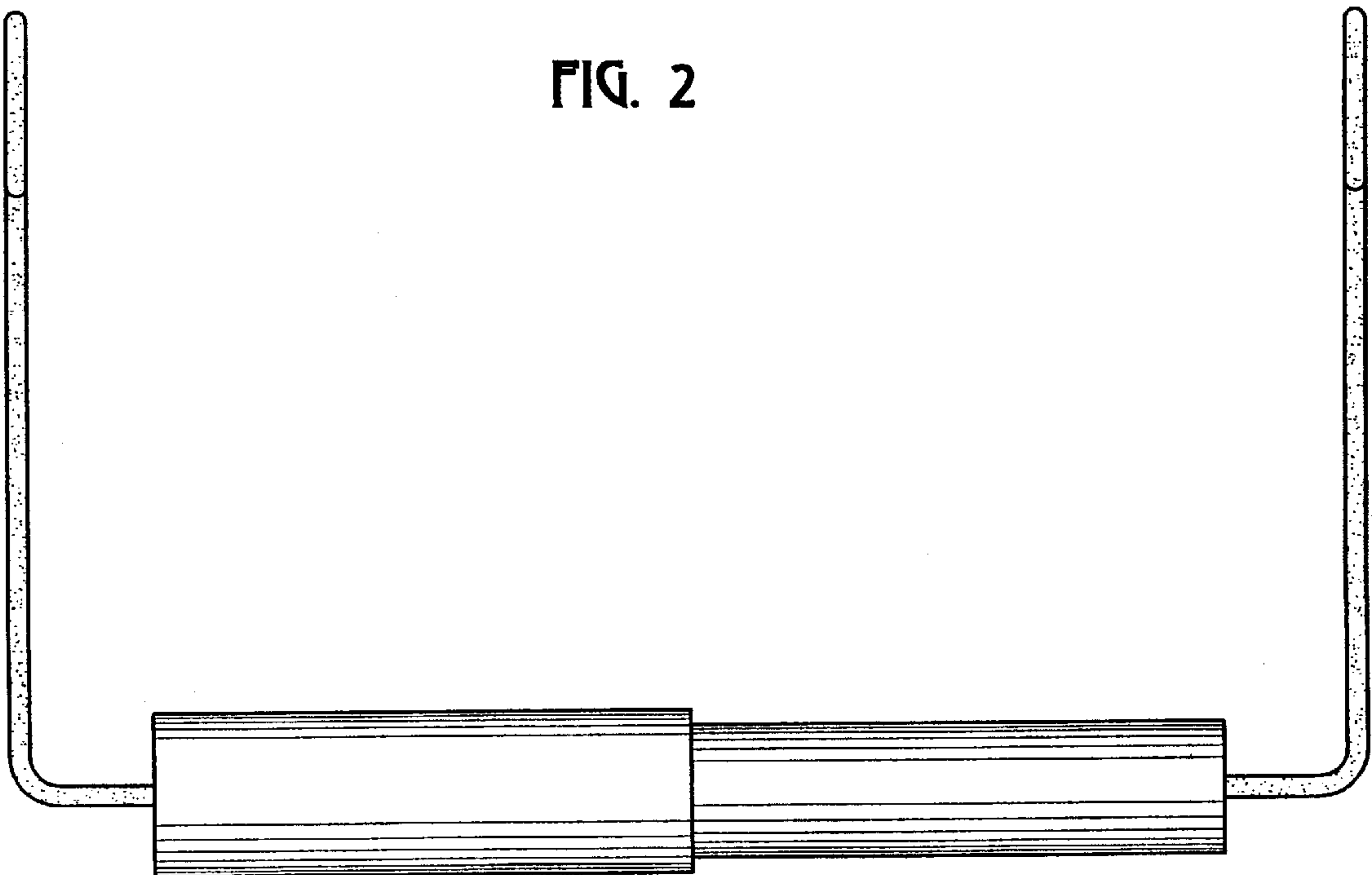


FIG. 3

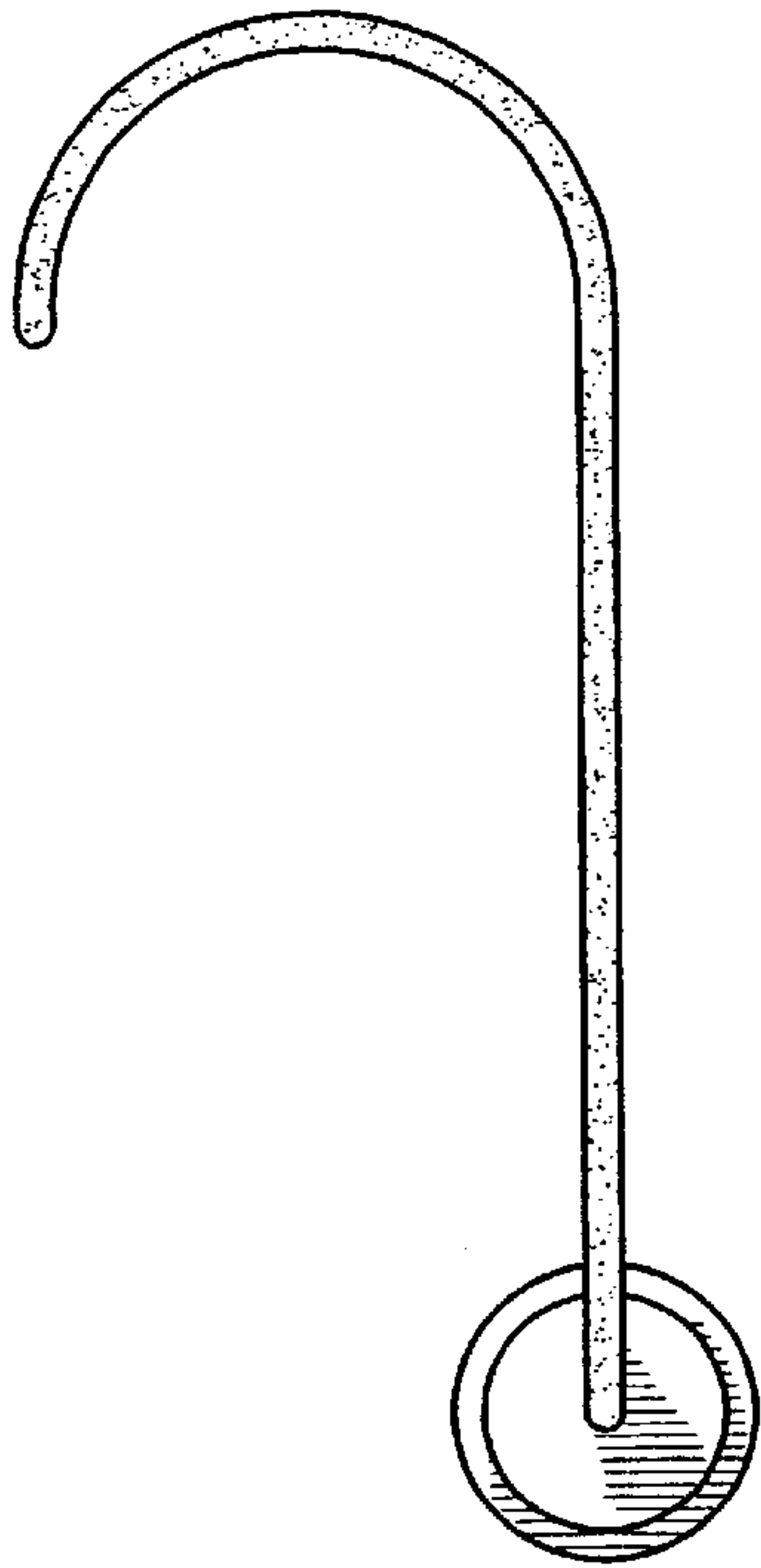


FIG. 4

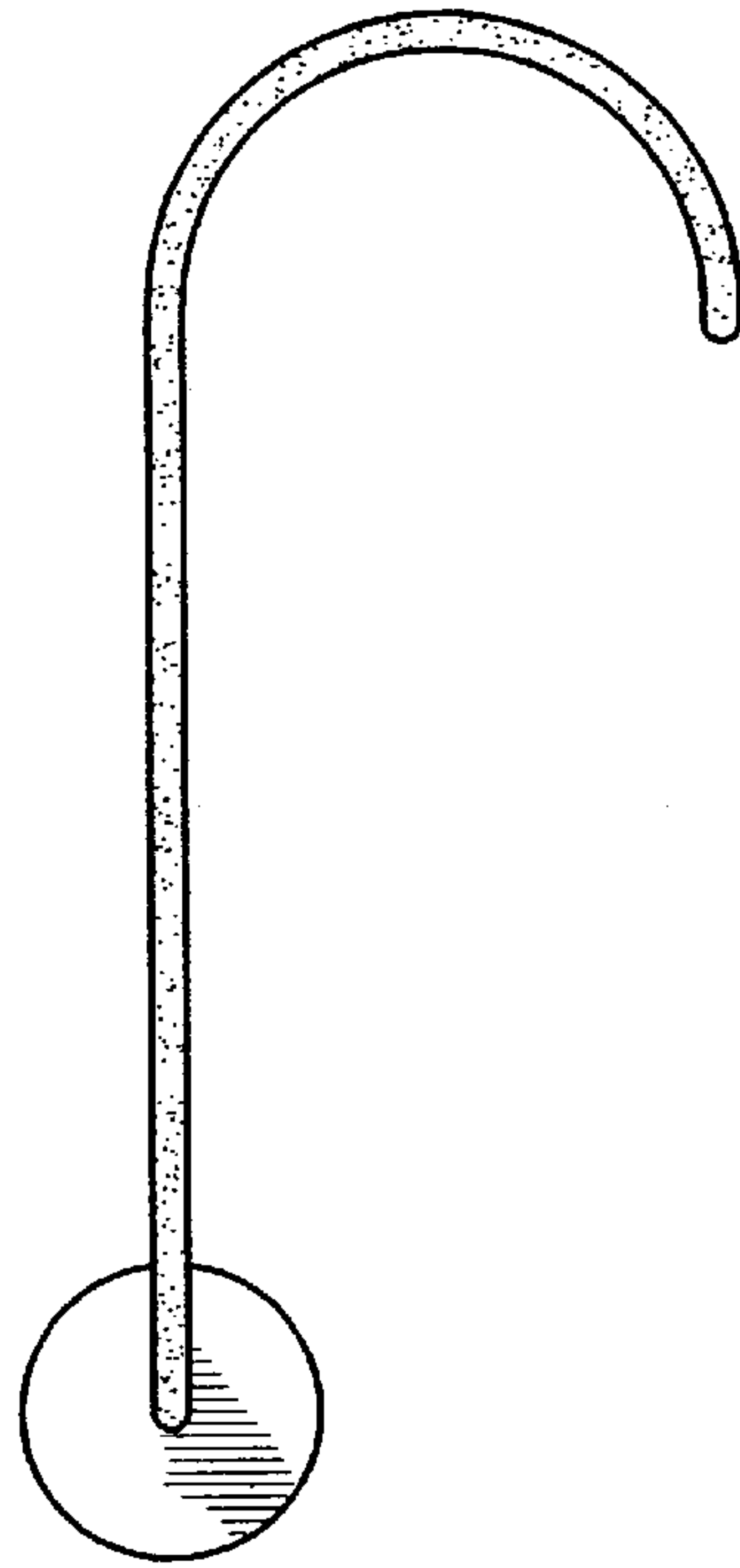


FIG. 5

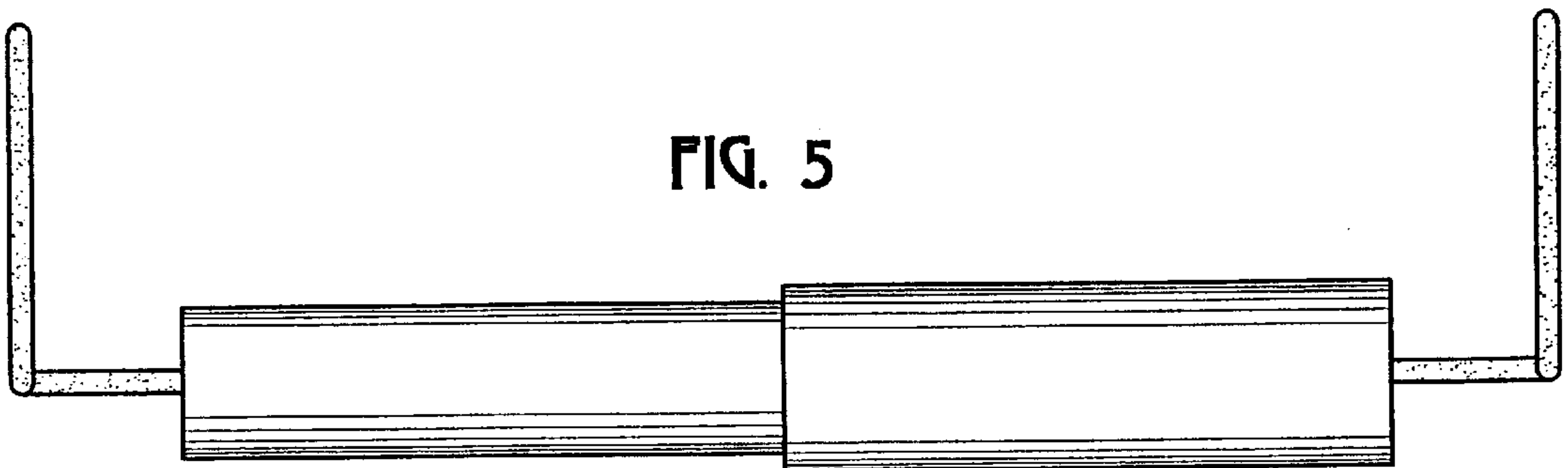


FIG. 6

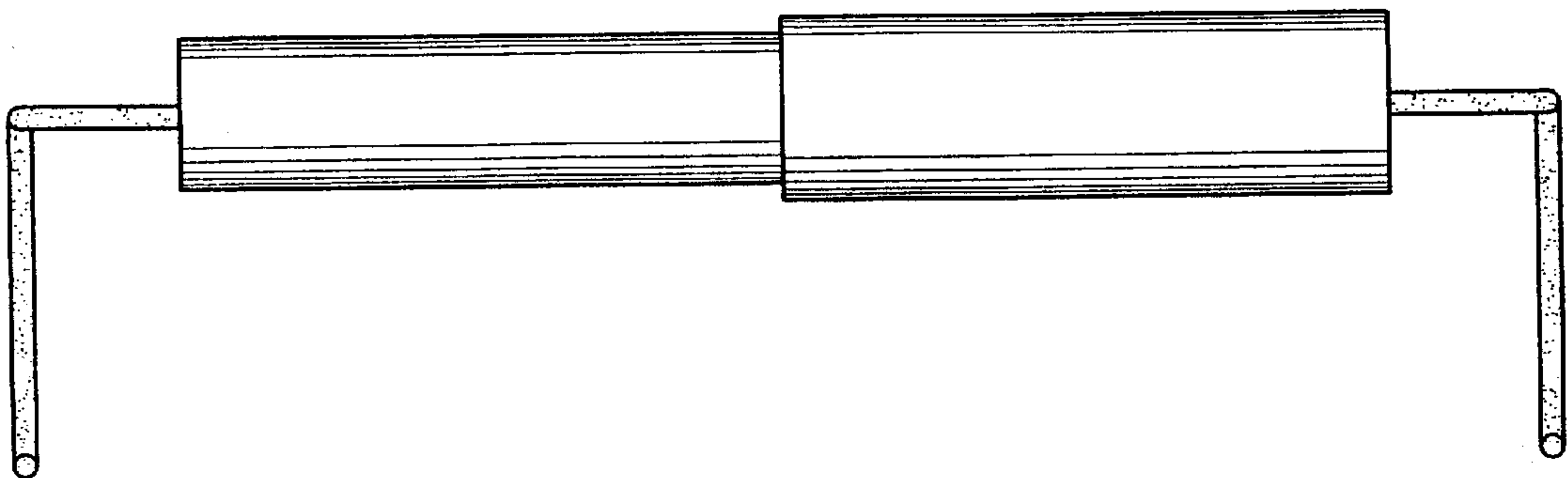


FIG. 7

