



US00D427828S

**United States Patent** [19]  
**Senecal, Jr.**

[11] **Patent Number: Des. 427,828**  
[45] **Date of Patent: \*\* \*Jul. 11, 2000**

[54] **ROLLED PRODUCT DISPENSER TOOL**

D. 414,361 9/1999 Senecal, Jr. .... D6/523  
2,522,109 9/1950 Foltis ..... D6/523

[76] Inventor: **Oscar J. Senecal, Jr.**, 539 Cypress Dr.,  
Lake Park, Fla. 33493

*Primary Examiner*—Marcus A. Jackson  
*Attorney, Agent, or Firm*—McHale & Slavin

[\*] Notice: This patent is subject to a terminal disclaimer.

[\*\*] Term: **14 Years**

[57] **CLAIM**

The ornamental design for a rolled product dispenser tool, as shown and described.

[21] Appl. No.: **29/086,715**

**DESCRIPTION**

[22] Filed: **Apr. 17, 1998**

[51] **LOC (7) Cl.** ..... **06-02**

[52] **U.S. Cl.** ..... **D6/523**

[58] **Field of Search** ..... D6/518-523; 242/597.1,  
242/598.1, 599, 599.3, 600

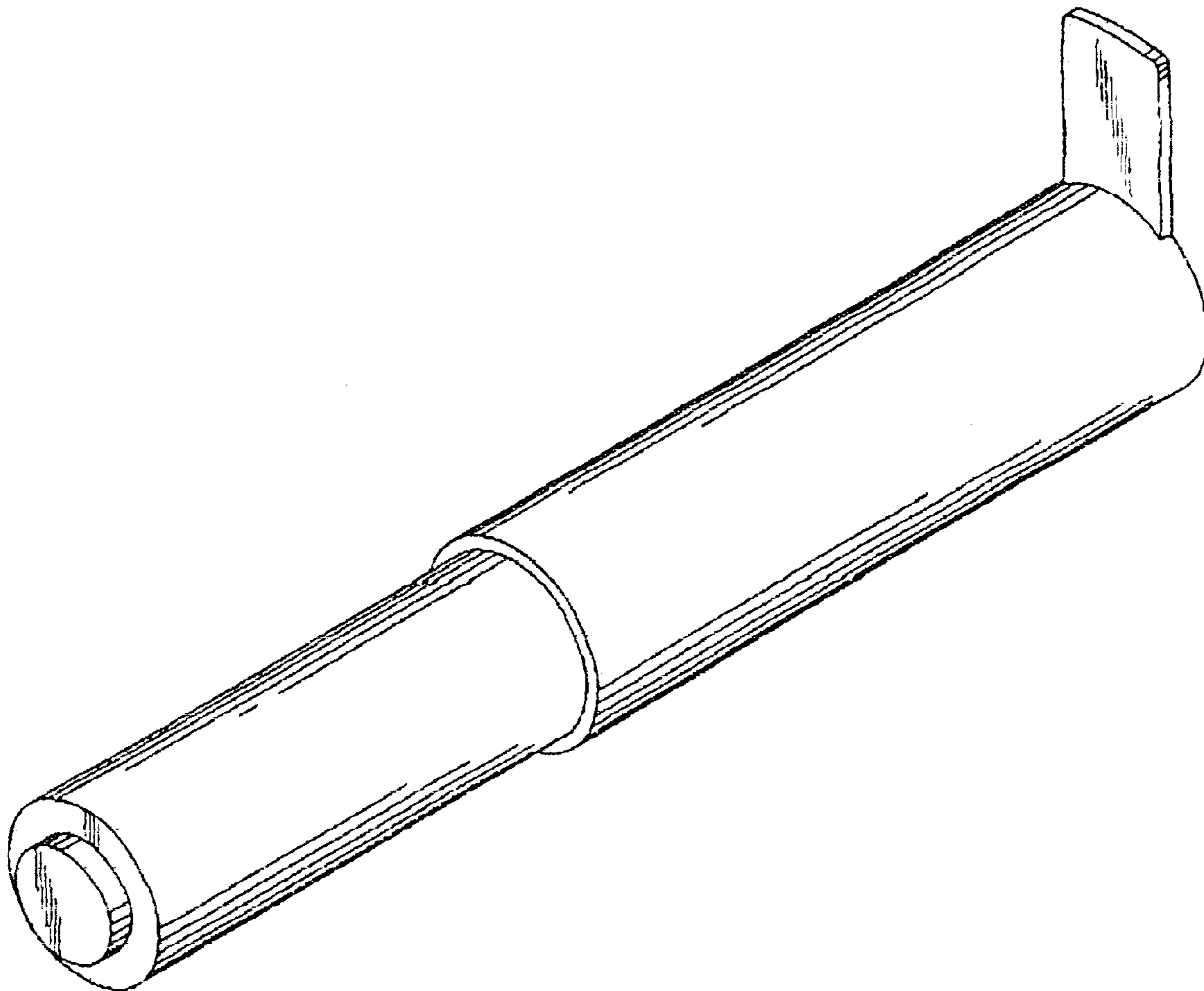
FIG. 1 is a perspective view of a rolled product dispenser tool showing my new design;  
FIG. 2 is a side elevation view thereof;  
FIG. 3 is a top plan view thereof;  
FIG. 4 is a bottom plan view thereof;  
FIG. 5 is a first end view thereof; and,  
FIG. 6 is a second end view thereof.

[56] **References Cited**

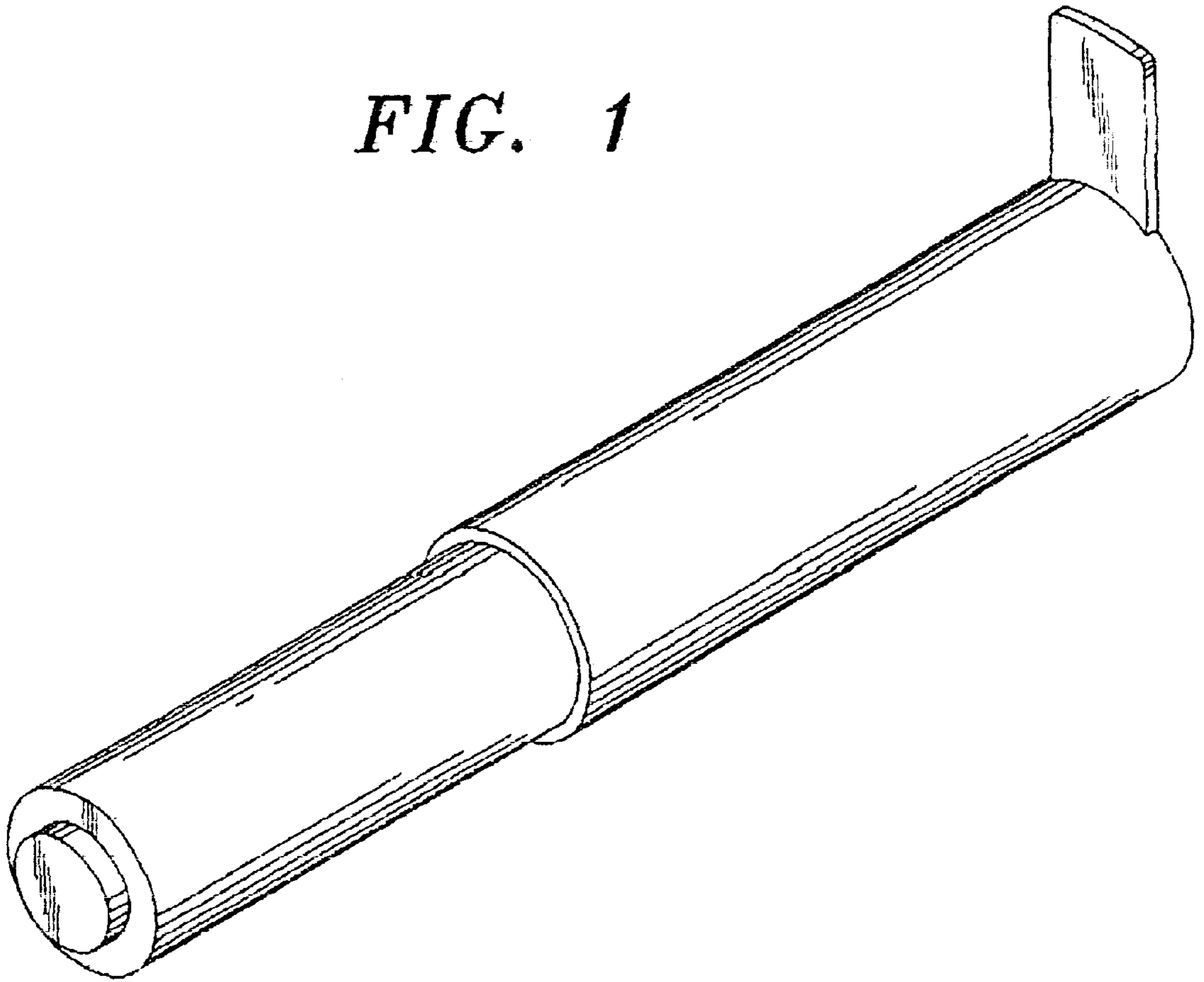
**U.S. PATENT DOCUMENTS**

D. 405,305 2/1999 Hobgood ..... D6/523

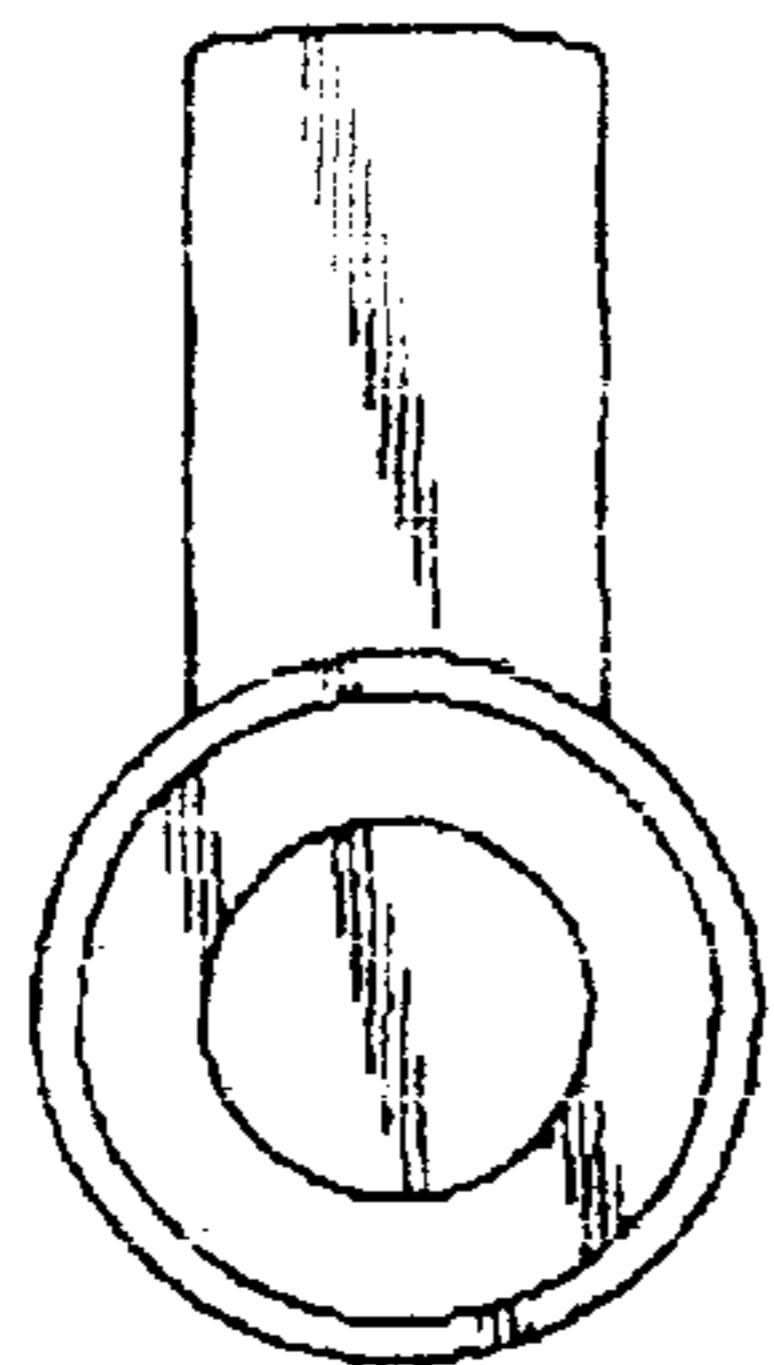
**1 Claim, 2 Drawing Sheets**



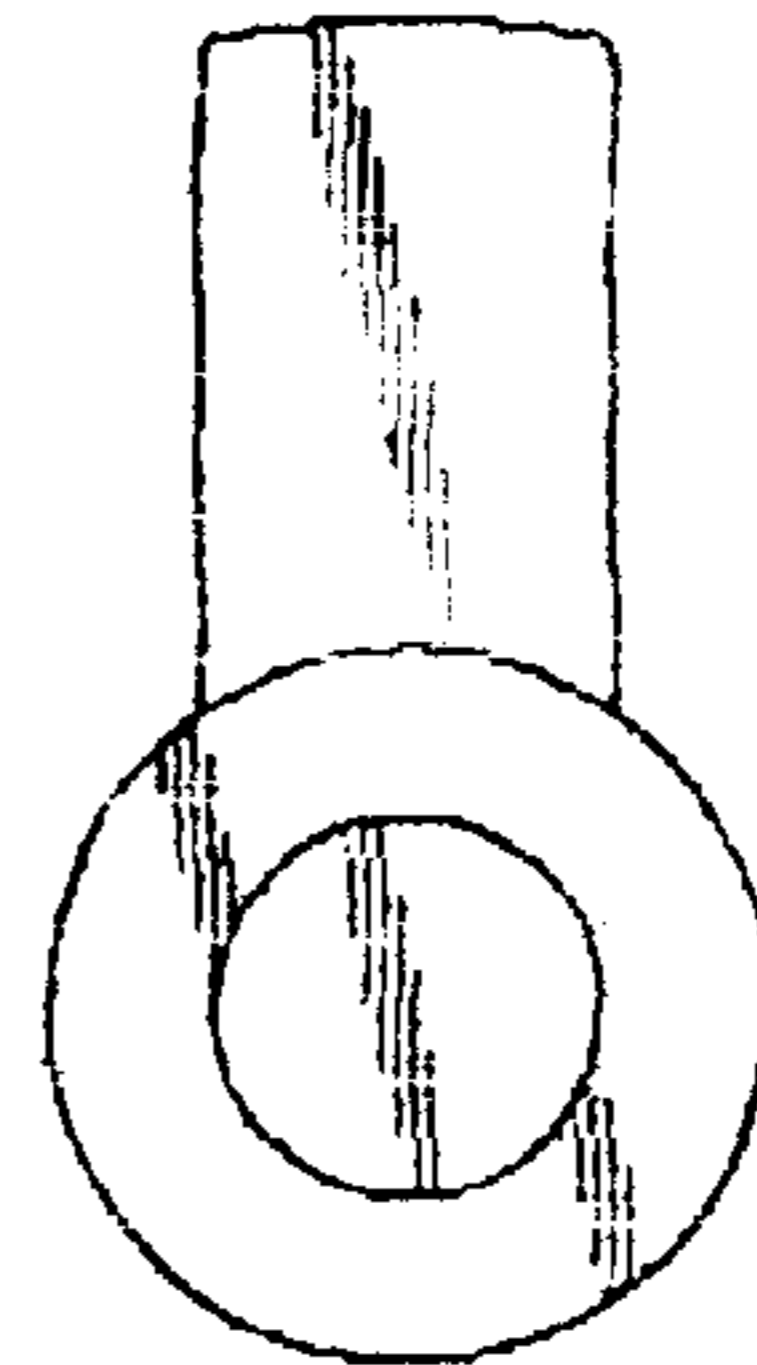
*FIG. 1*



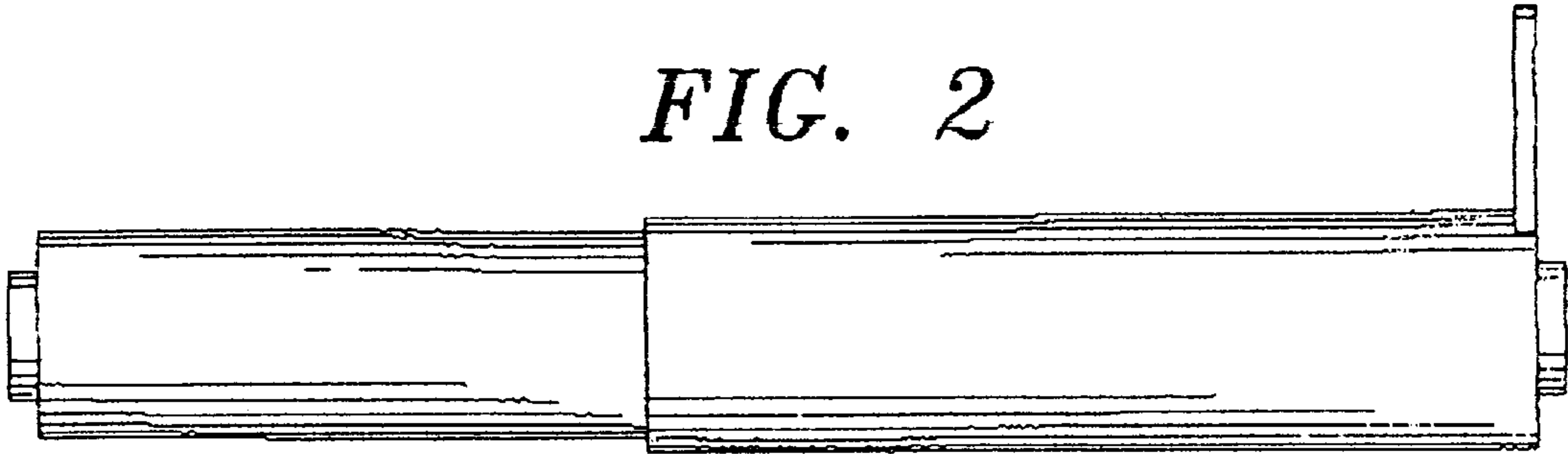
*FIG. 5*



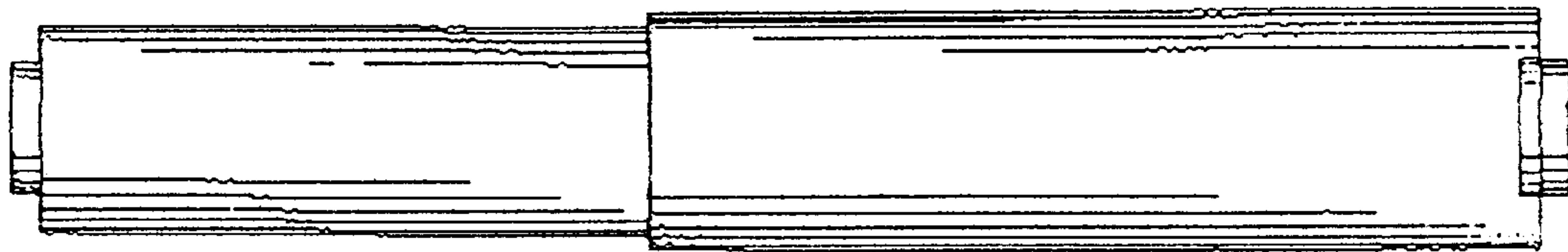
*FIG. 6*



*FIG. 2*



*FIG. 3*



*FIG. 4*

